

[54] **CAP FOR BUBBLE BLOWING**

[76] **Inventors: Steve Jernander, 1521 Frederick St., Santa Rosa, Calif. 95401; Ardith A. Clubb, P.O. Box 6012, Santa Rosa, Calif. 95406**

[**] **Term: 14 Years**

[21] **Appl. No.: 713,781**

[22] **Filed: May 13, 1985**

[52] **U.S. Cl. D2/244**

[58] **Field of Search D2/244, 247, 250, 252, D2/509; 2/199; 446/27**

[56] **References Cited**

U.S. PATENT DOCUMENTS

- D. 274,537 7/1984 Wolens et al. D2/250 X
- D. 276,666 12/1984 Bryant D2/244
- D. 278,381 4/1985 Saari D2/244
- D. 280,566 9/1985 Schwartzburg D2/253 X

- 2,654,973 10/1953 Lemelson 2/199 X
- 3,775,899 12/1973 Wolf 446/27 X
- 4,386,437 6/1983 Fosher 2/199

OTHER PUBLICATIONS

Sporting Goods Dealer 6/1979, p. 64; caps on page.

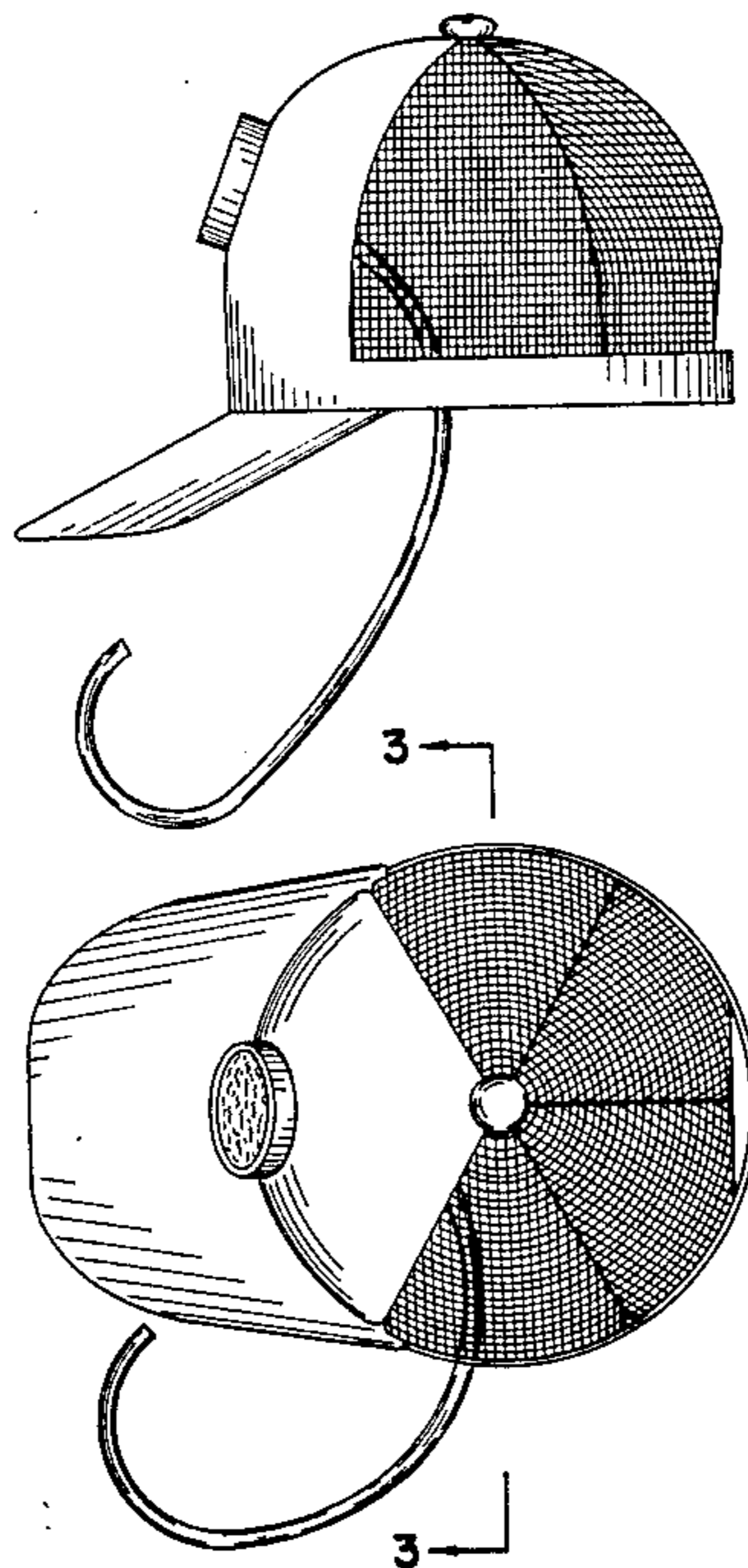
Primary Examiner—Carmen H. Vales
Attorney, Agent, or Firm—Andrew A. Steiner

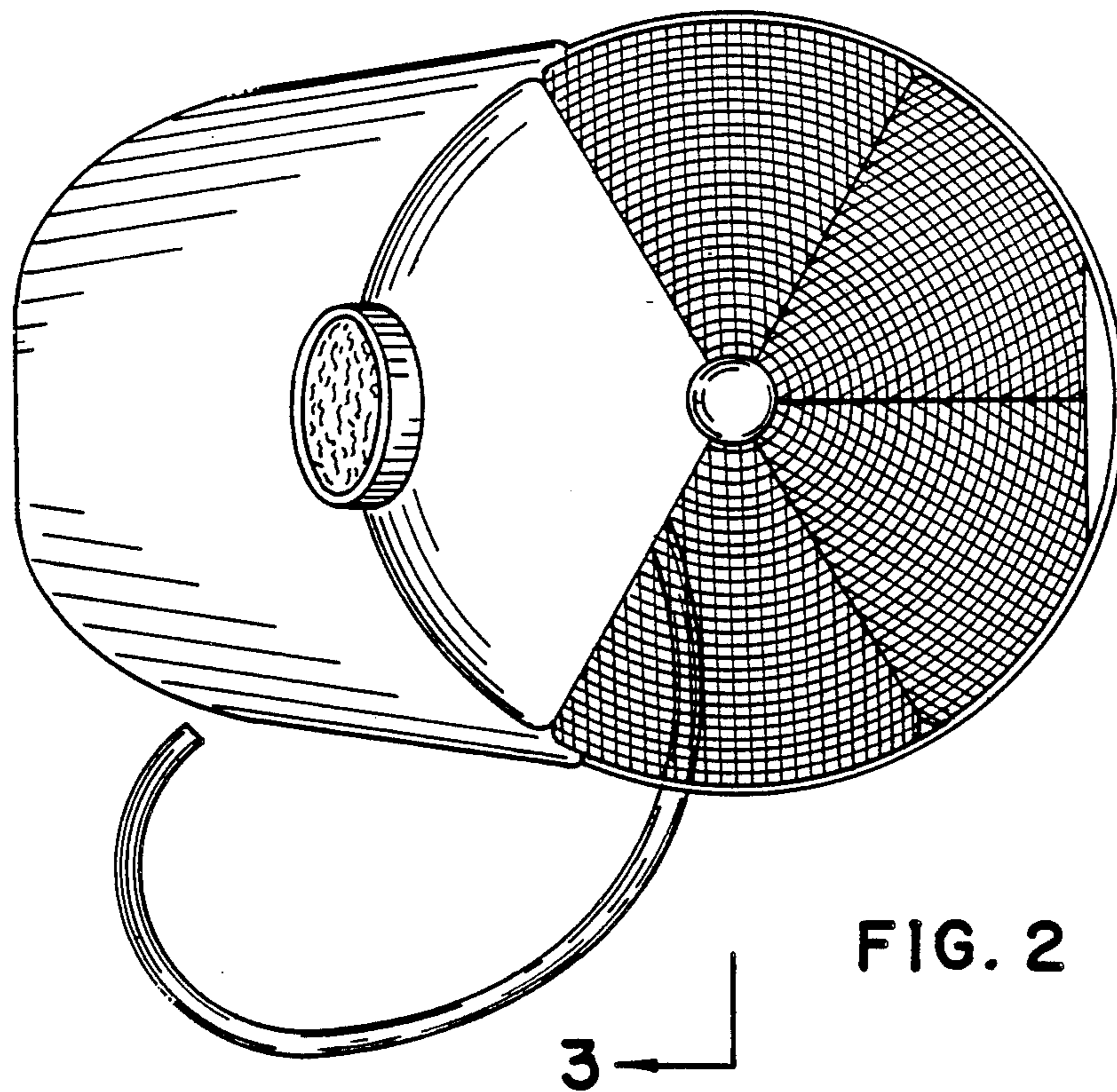
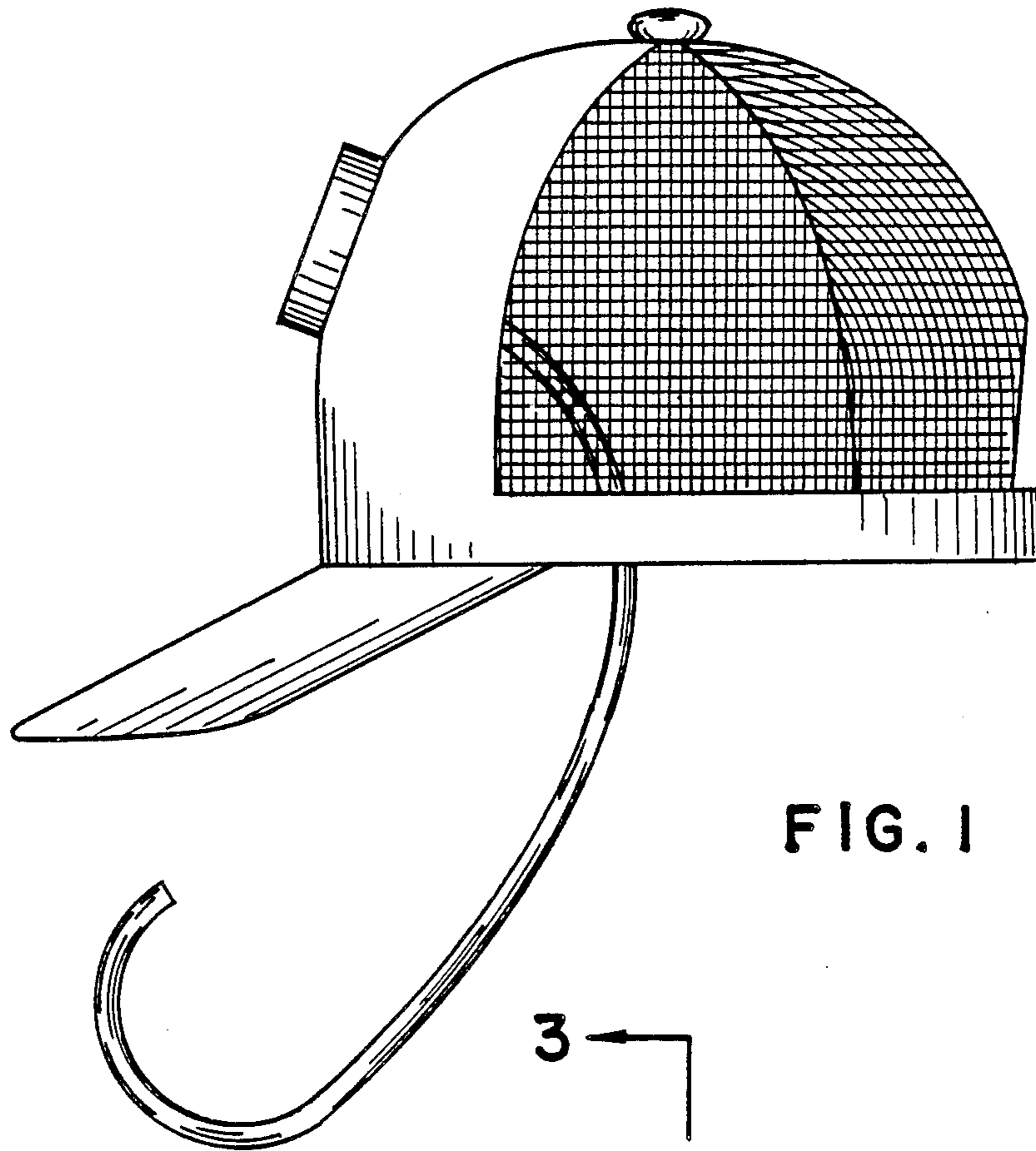
[57] **CLAIM**

The ornamental design for a cap for bubble blowing, as shown and described.

DESCRIPTION

FIG. 1 is a side elevational view of a cap for bubble blowing showing our new design; FIG. 2 is a top plan view thereof; FIG. 3 is a cross-sectional view taken along line 3—3 of FIG. 2; and FIG. 4 is a horizontal cross-sectional view taken along line 4—4 of FIG. 3.





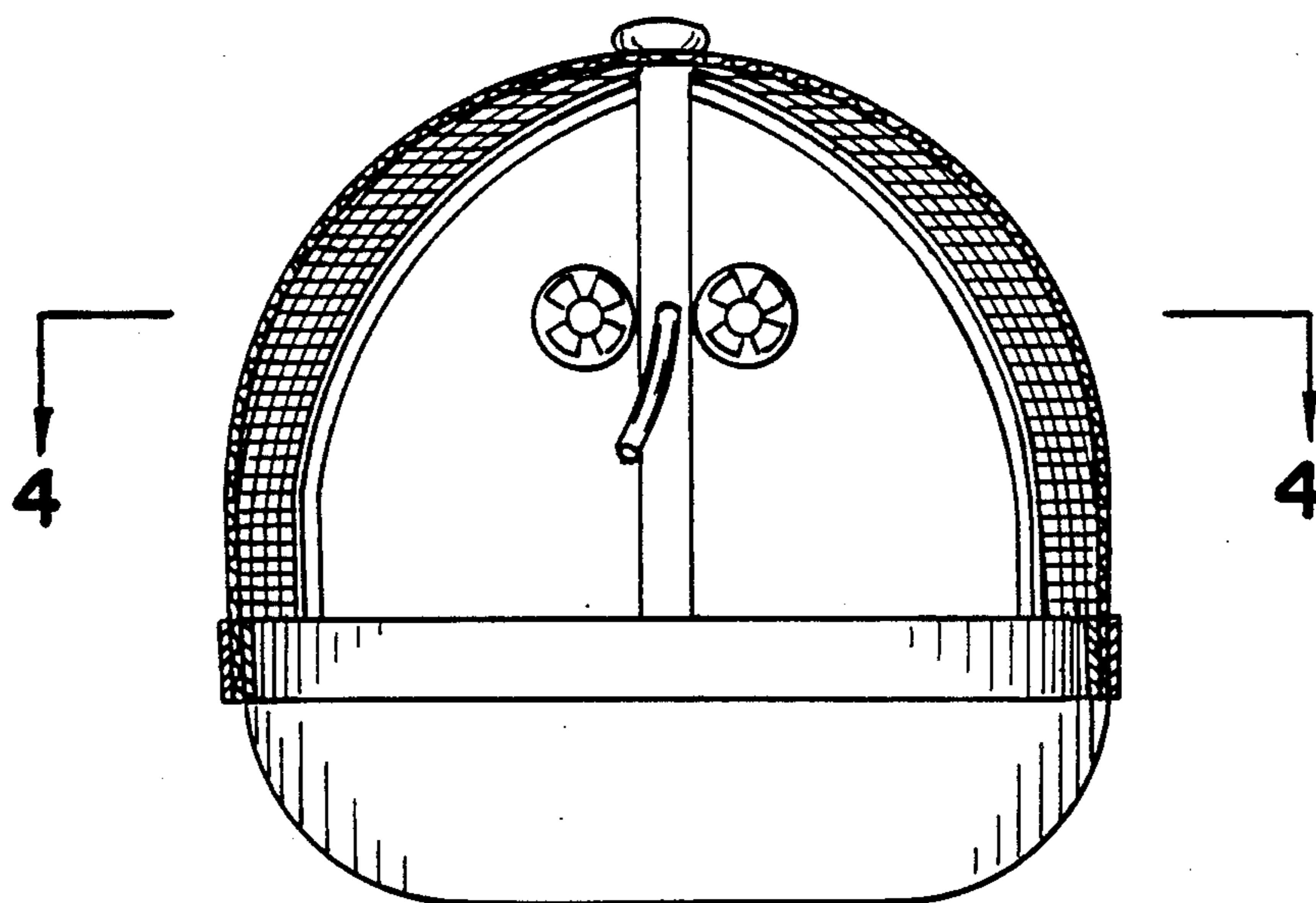
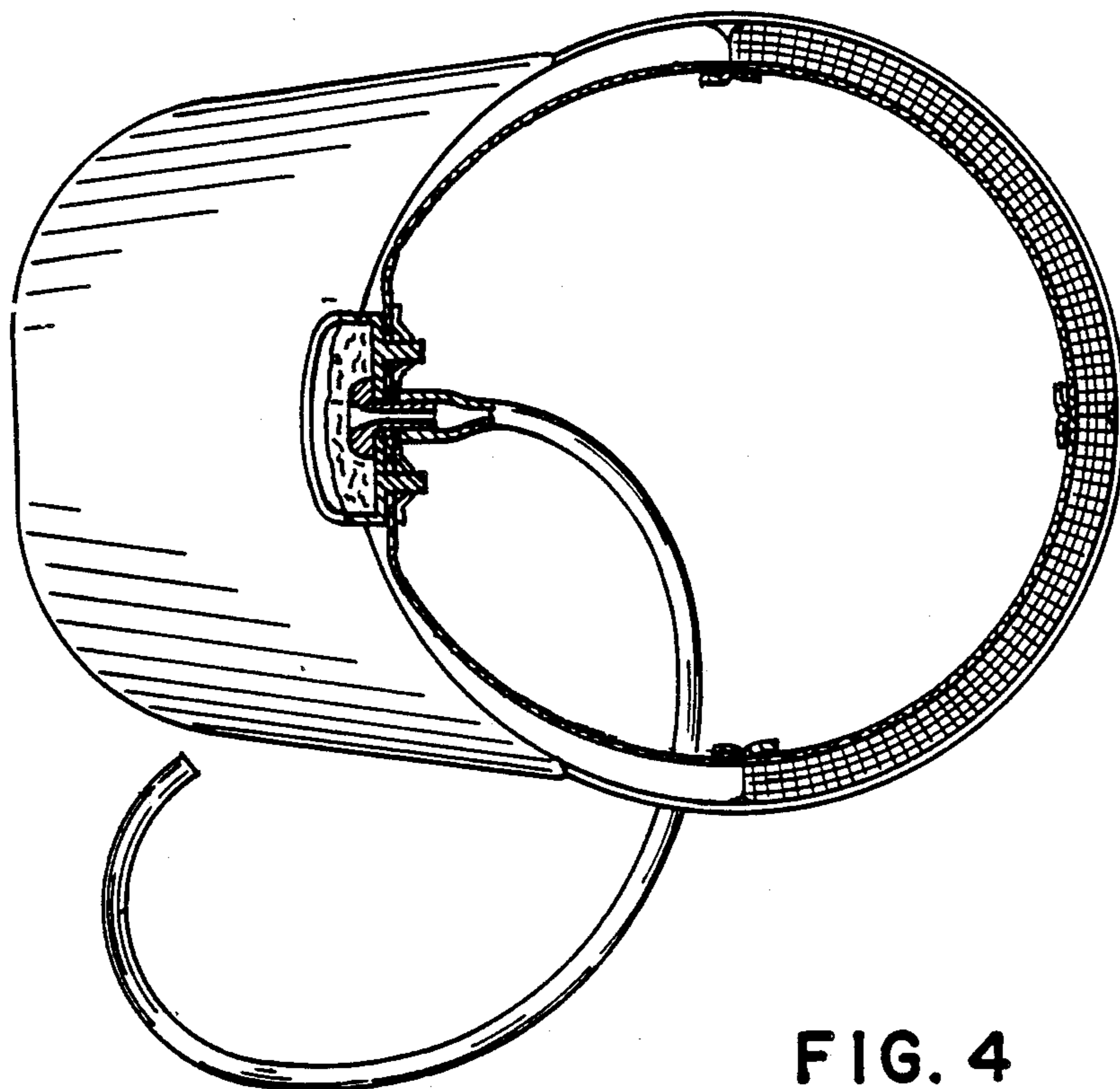


FIG. 3