

[54] **GOLF CART**

[75] **Inventors: David P. Kean; James P. Kissel, both of Auckland, New Zealand**

[73] **Assignee: General Plating Company Limited, Northcote, New Zealand**

[**] **Term: 14 Years**

[21] **Appl. No.: 771,601**

[22] **Filed: Sep. 3, 1985**

[30] **Foreign Application Priority Data**

Apr. 3, 1985 [NZ] New Zealand 19740

[52] **U.S. Cl. D34/15; D34/24**

[58] **Field of Search D34/24, 15, 26, 12; 280/DIG. 3, DIG. 4, 47.24, 47.26**

[56]

References Cited

U.S. PATENT DOCUMENTS

D. 179,126 11/1956 Eging D34/15
2,983,520 5/1961 Klages D34/24
3,774,931 11/1973 Stelniceanu D34/24
3,964,763 6/1976 Stelniceanu 280/DIG. 3

FOREIGN PATENT DOCUMENTS

2082513 3/1982 United Kingdom 280/DIG. 3

Primary Examiner—James M. Gandy

Assistant Examiner—Kay H. Chin

Attorney, Agent, or Firm—Holman & Stern

[57]

CLAIM

The ornamental design for a golf cart, as shown.

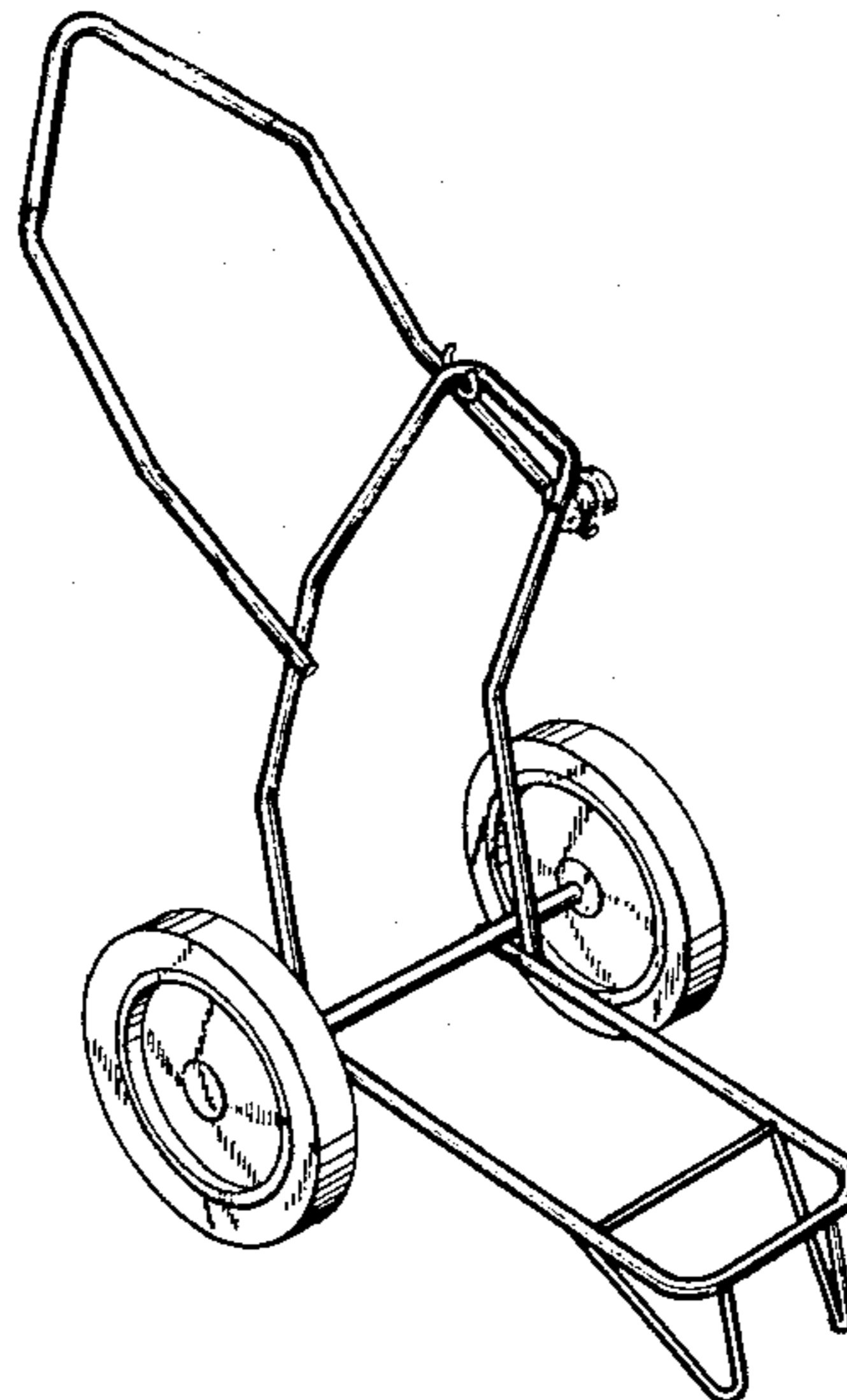
DESCRIPTION

FIG. 1 is a perspective view of a golf cart showing our new design;

FIG. 2 is a side elevation view thereof;

FIG. 3 is a top plan view thereof;

FIG. 4 is a front elevation view thereof.



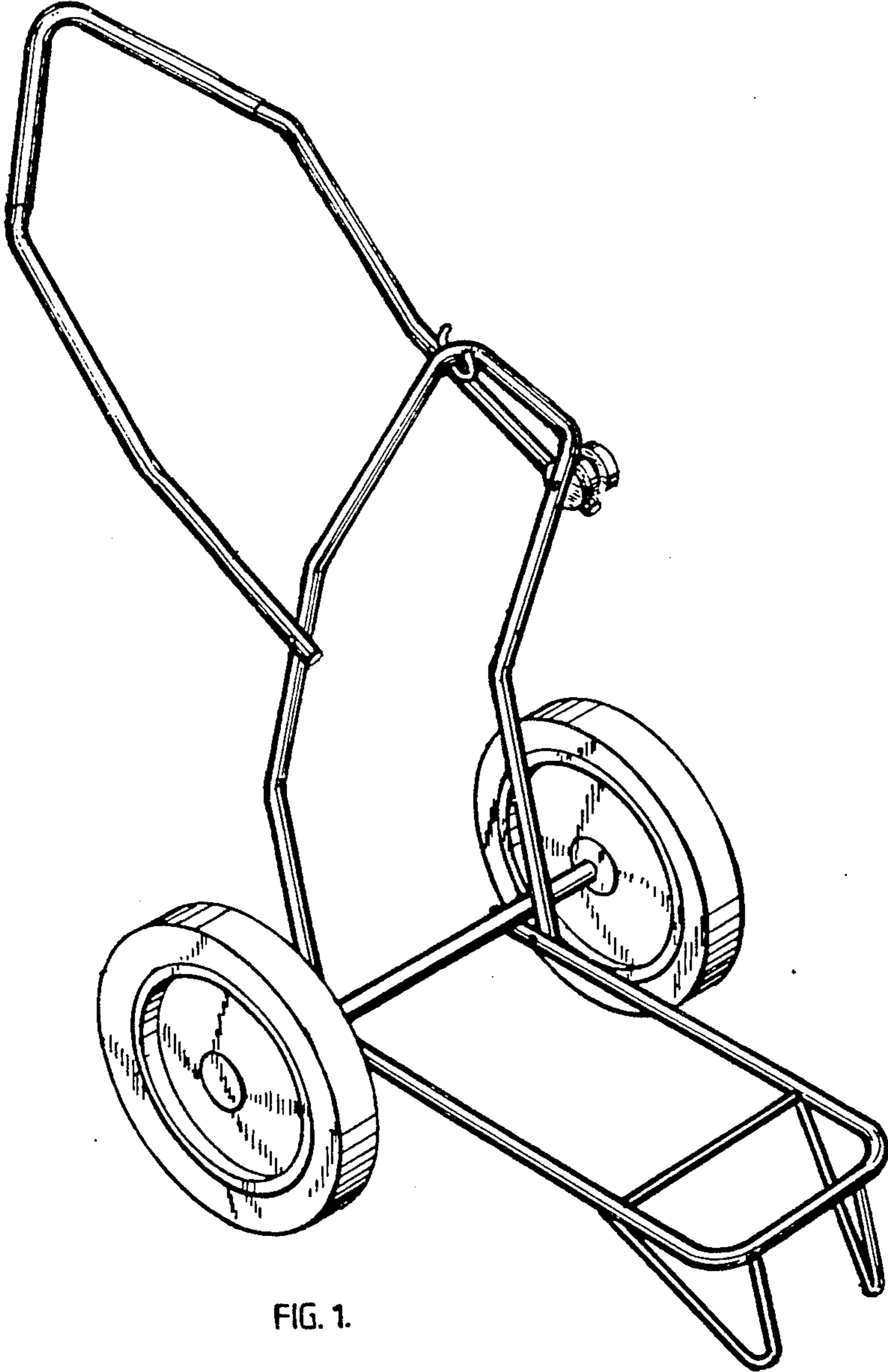


FIG. 1.

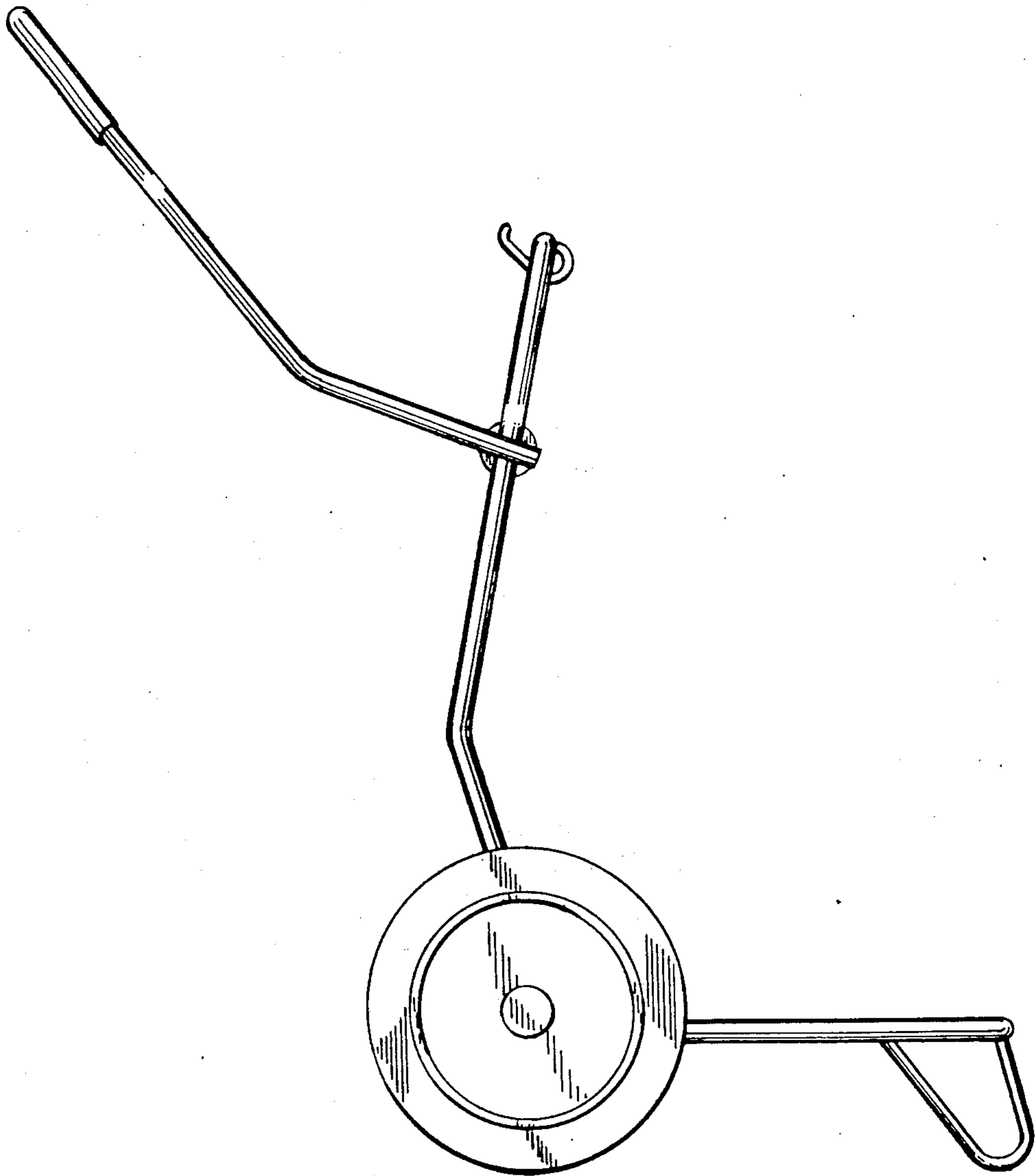


FIG. 2.

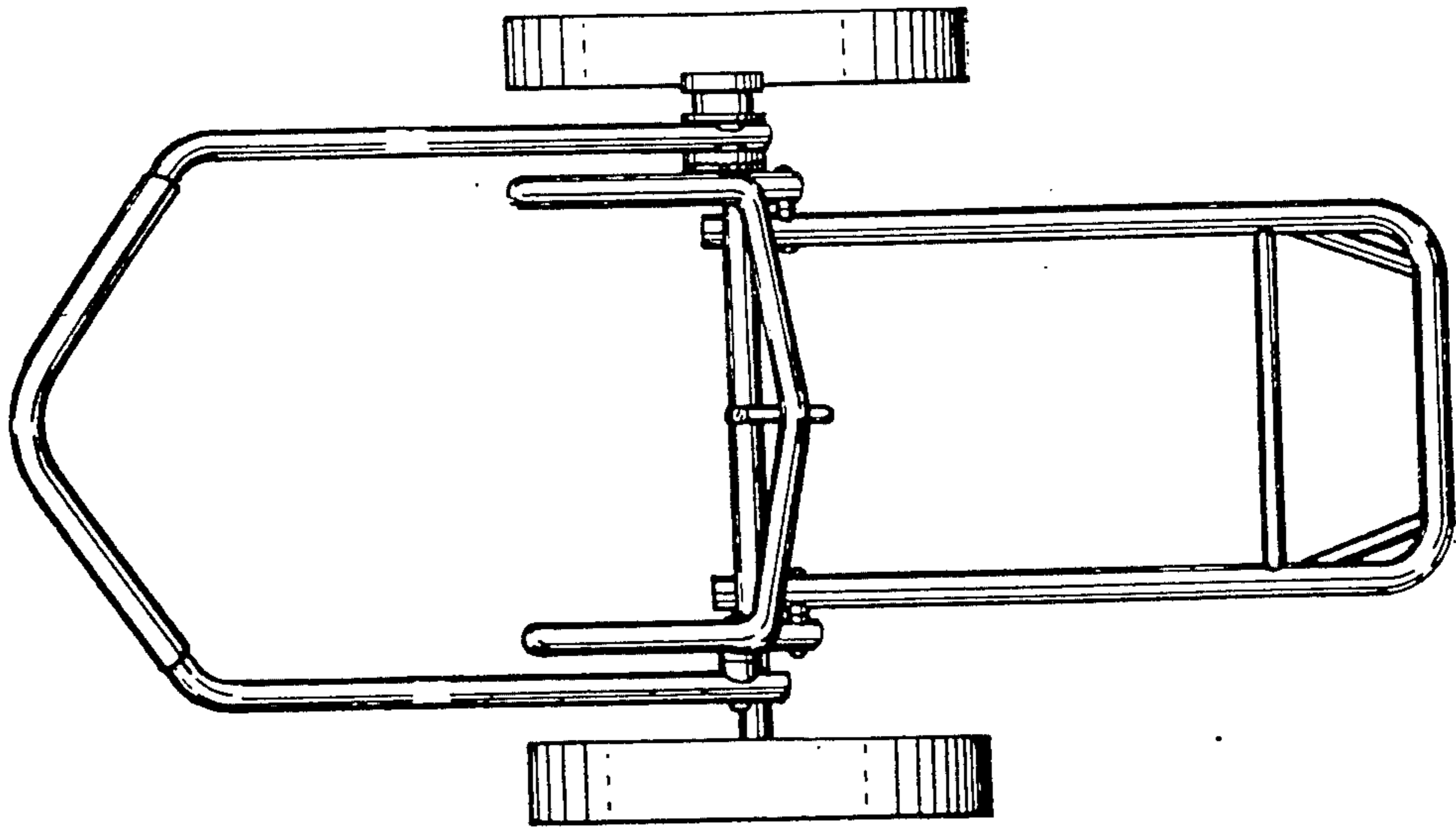


FIG. 3.

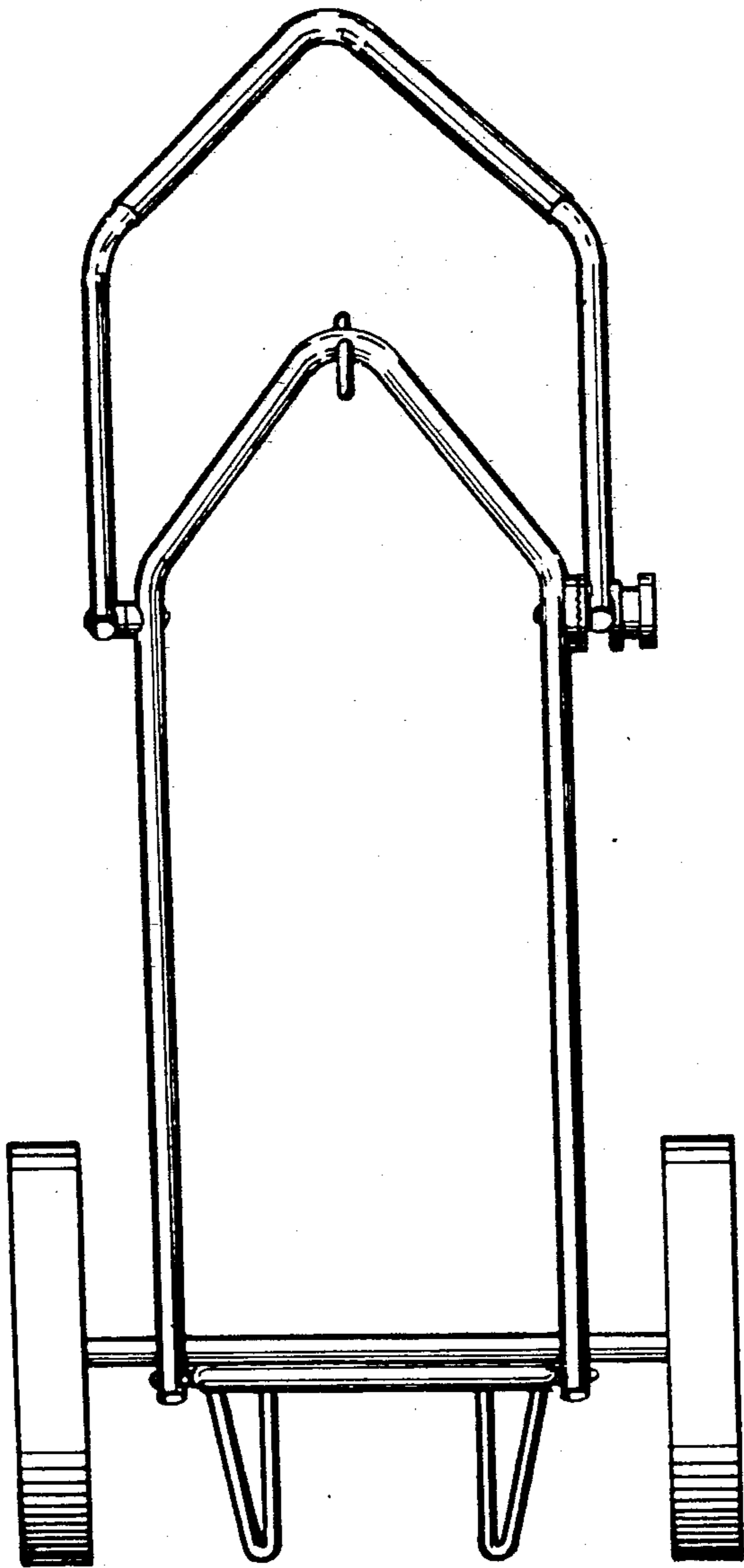


FIG. 4.