

[54] **WHEELED REFUSE CONTAINER**

[75] **Inventor: Michele A. Carville, Wooster, Ohio**

[73] **Assignee: Rubbermaid Incorporated, Wooster, Ohio**

[**] **Term: 14 Years**

[21] **Appl. No.: 759,782**

[22] **Filed: Jul. 29, 1985**

[52] **U.S. Cl. D34/5**

[58] **Field of Search D34/1, 5, 6, 7, 11; 220/1 T; 232/11 R; 280/47.26; D7/17, 18**

[56] **References Cited**

U.S. PATENT DOCUMENTS

- D. 218,359 6/1970 Marsh D34/5
- D. 231,184 4/1974 Brown et al. D34/5
- D. 270,675 9/1983 Parker D34/5
- D. 281,284 11/1985 Reuter D34/15
- 4,351,539 9/1982 Rodolakis 280/47.26
- 4,600,113 7/1986 DeMars 220/1 T

FOREIGN PATENT DOCUMENTS

- 138780 4/1985 European Pat. Off. 220/1 T
- 2134048 8/1984 United Kingdom 280/47.26

OTHER PUBLICATIONS

"RollOA-Waste" Brochure by Zarn Inc., P.O. Box 1350, Reidsville, N.C., publication data unknown.

"Challenger 90" Brochure by Snyder Industries Inc., Box 4583, Lincoln, Nebraska 68504, publication date 10/82.

"MGB 360-95" brochure by Otto Industries, Inc., 2300 West Glades Road, Boca Raton, FL 33431, published 4-85.

Primary Examiner—James M. Gandy

Assistant Examiner—Kay H. Chin

Attorney, Agent, or Firm—Richard B. O'Planick

[57] **CLAIM**

The ornamental design for a wheeled refuse container, as shown and described.

DESCRIPTION

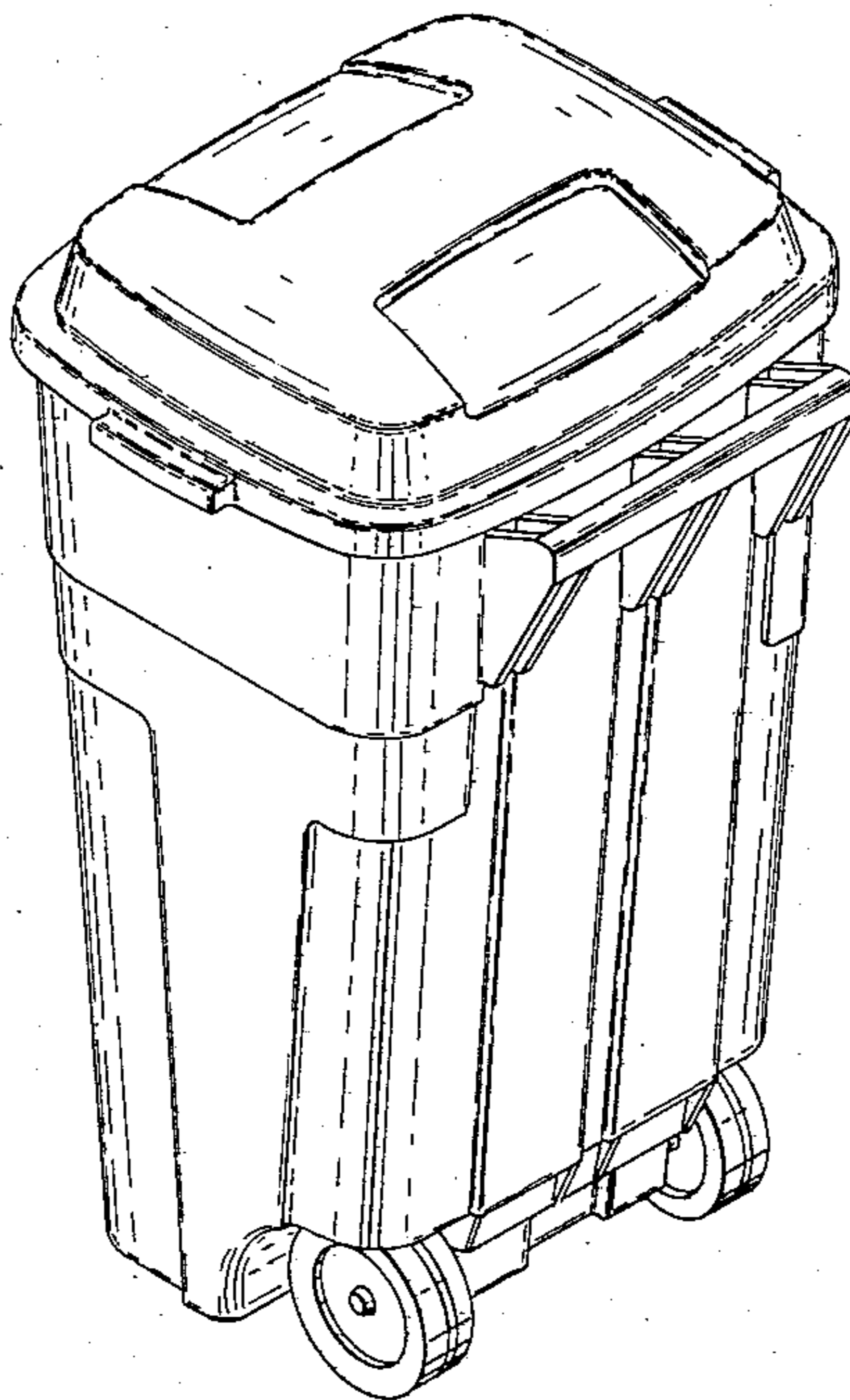
FIG. 1 is a rearward perspective view of a wheeled refuse container embodying my new design.

FIG. 2 is a front elevation view thereof.

FIG. 3 is a top plan view thereof.

FIG. 4 is a side elevation view thereof. The side opposite to that shown in FIG. 4 is identical in appearance.

FIG. 5 is a rear elevation view thereof.



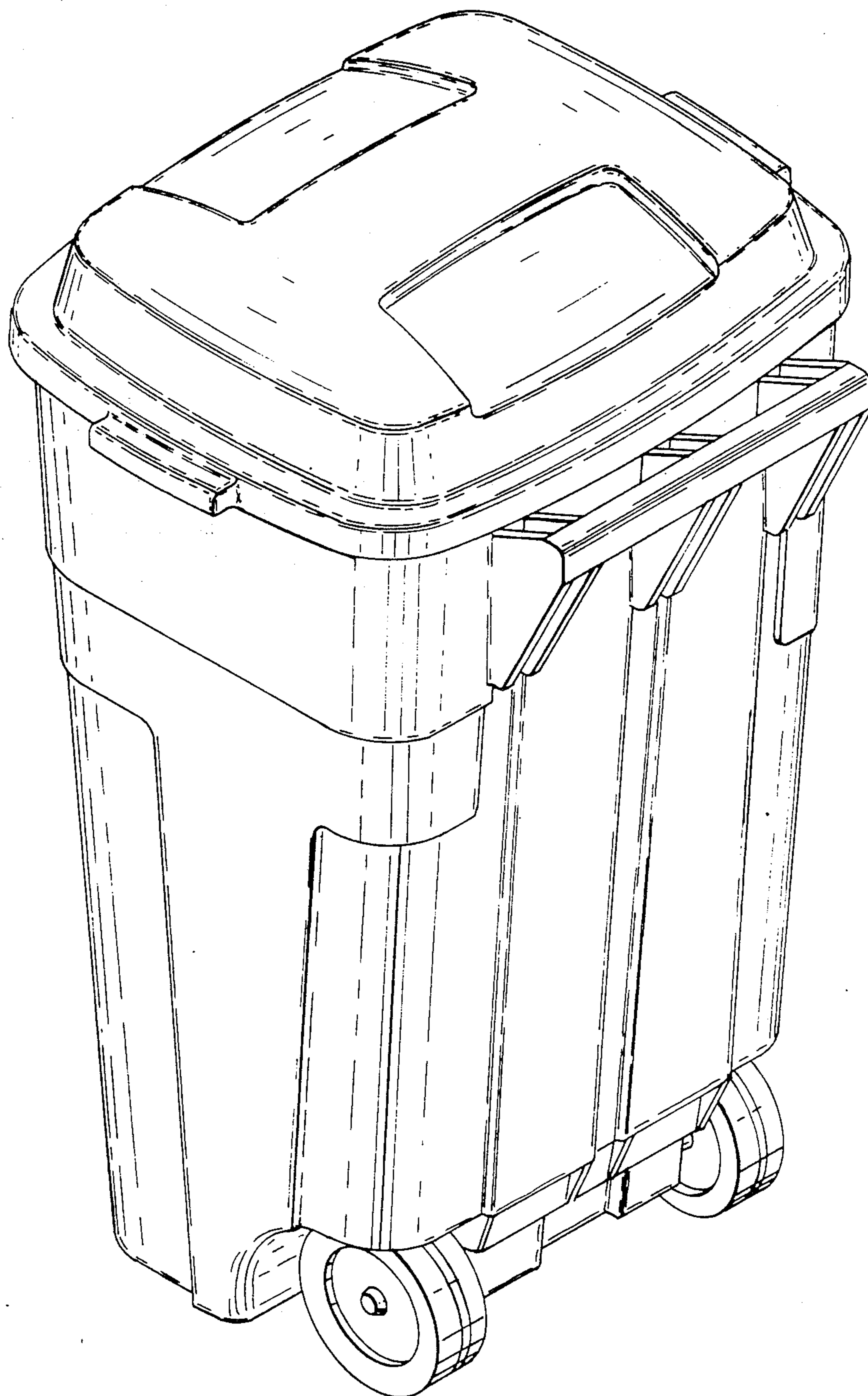


FIG. 1

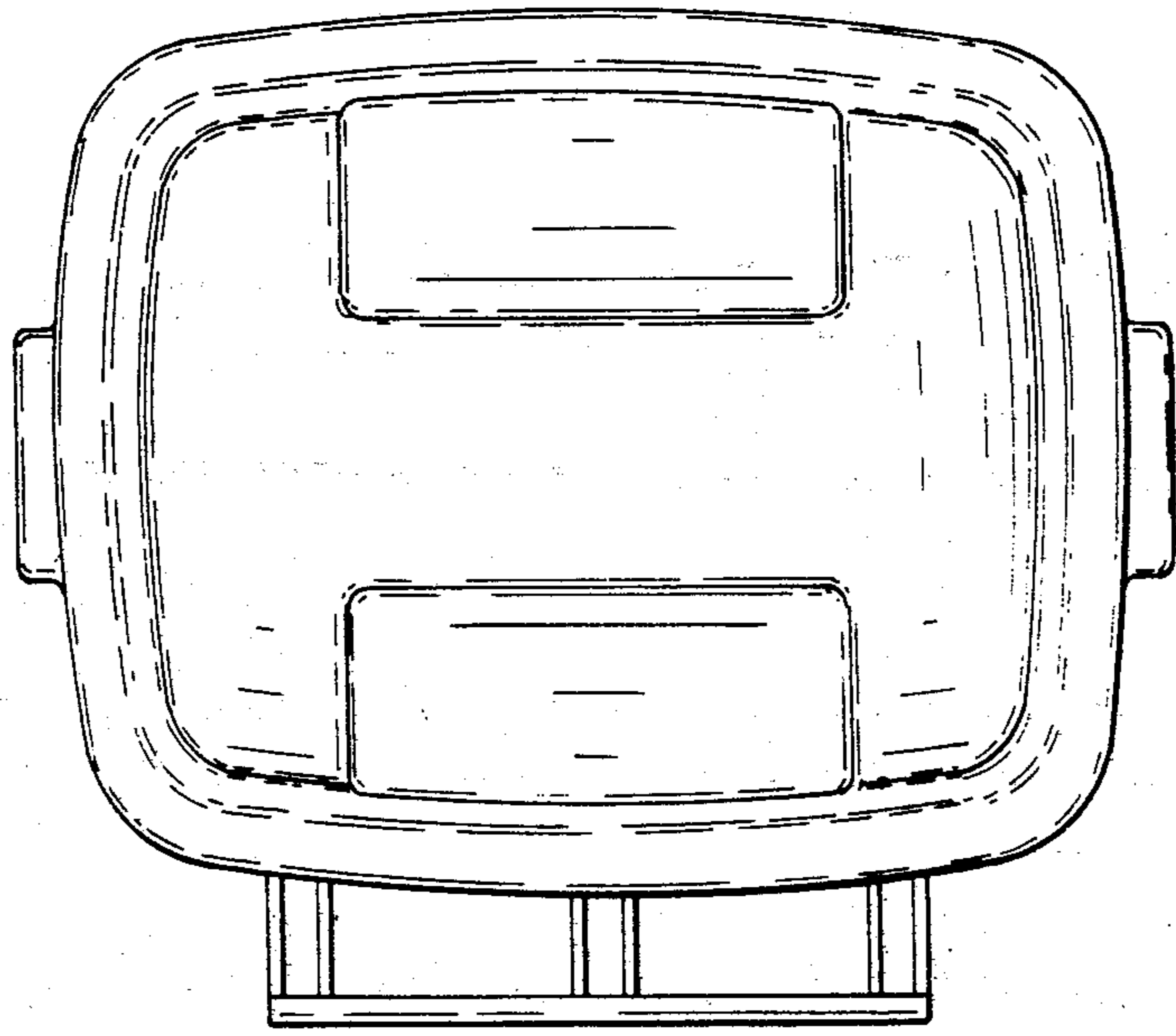


FIG. 3

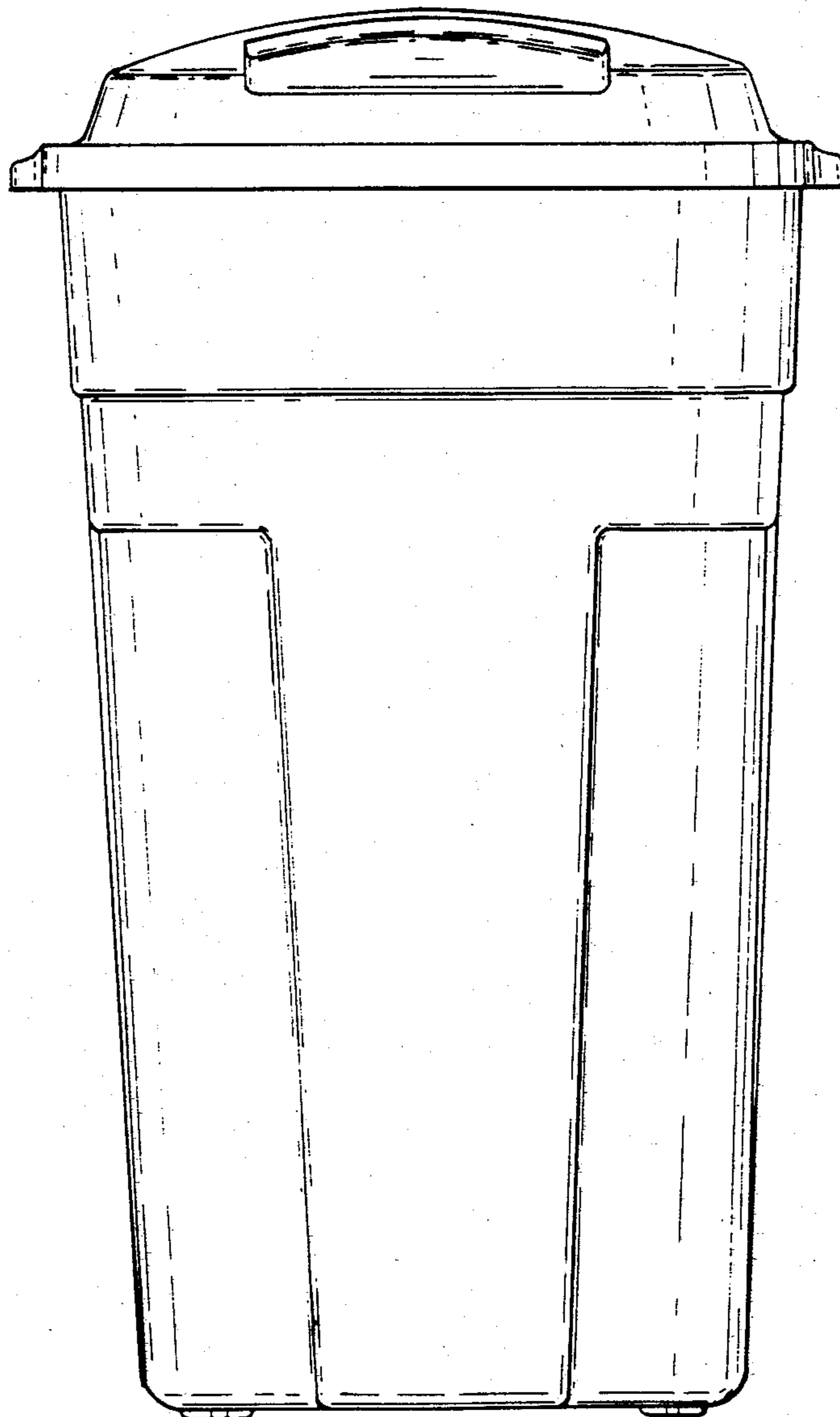


FIG. 2

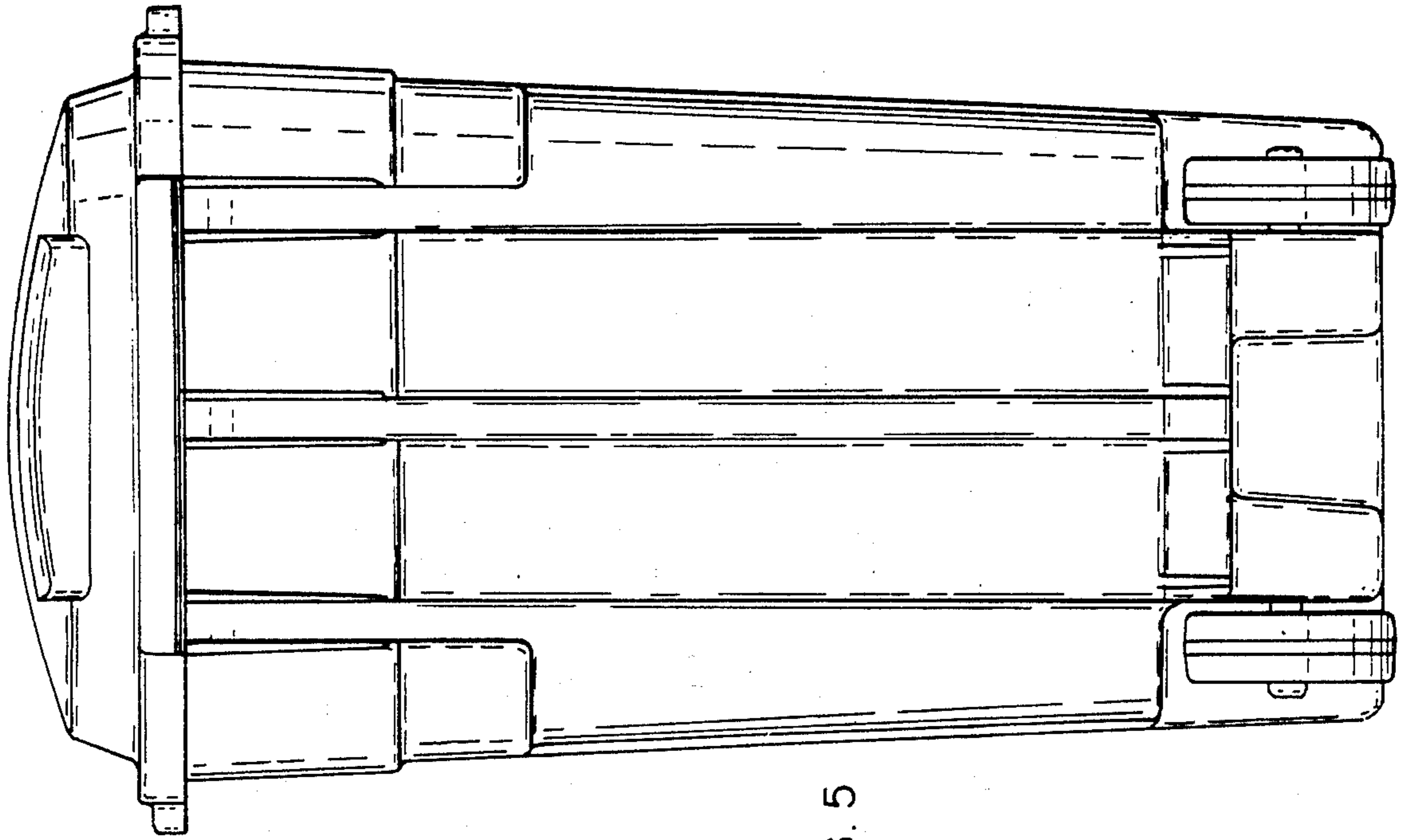


FIG. 5

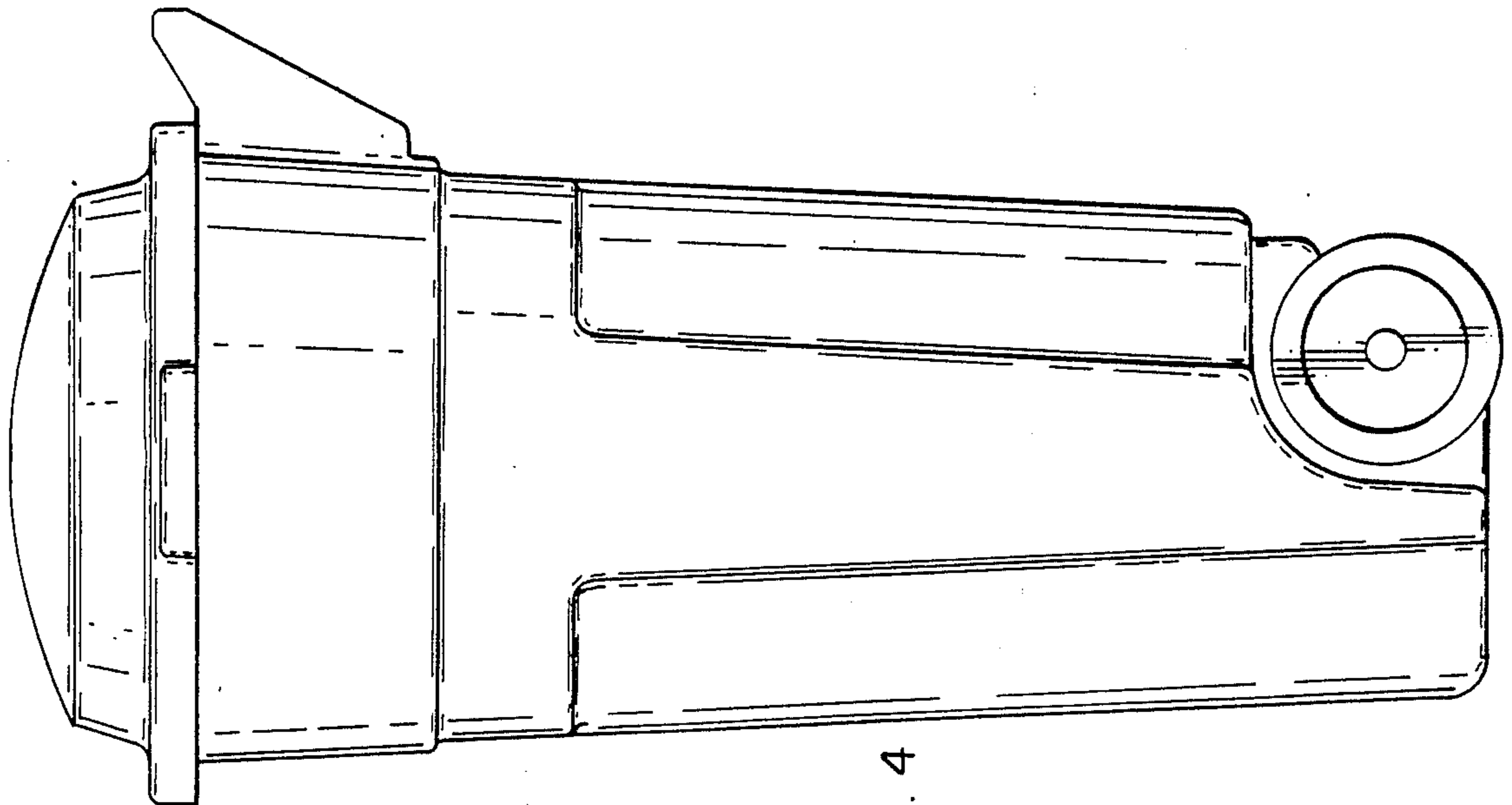


FIG. 4