

[54] SQUEEGEE BLADE OFFSET CARRIER

2,008,615 7/1935 Rogers ..... D32/41 X

[76] Inventor: Wilbert A. Miller, 2415 Apricot Ct., Grand Junction, Colo. 81501

Primary Examiner—Catherine E. Kemper  
Attorney, Agent, or Firm—Kyle W. Rost

[\*\*] Term: 14 Years

[57] CLAIM

[21] Appl. No.: 680,287

The ornamental design for a squeegee blade offset carrier, substantially as shown.

[22] Filed: Dec. 10, 1984

[52] U.S. Cl. .... D32/41

[58] Field of Search ..... D32/41; 15/245

DESCRIPTION

[56] References Cited

U.S. PATENT DOCUMENTS

- D. 117,402 10/1939 Lynch ..... D32/41
- D. 202,542 10/1965 Siemund ..... D32/41 X
- D. 213,721 4/1969 Lorenz, Jr. .... D32/41
- D. 235,410 6/1975 Epstein ..... D32/41

FIG. 1 is a top view of the squeegee blade offset carrier, showing my new design.

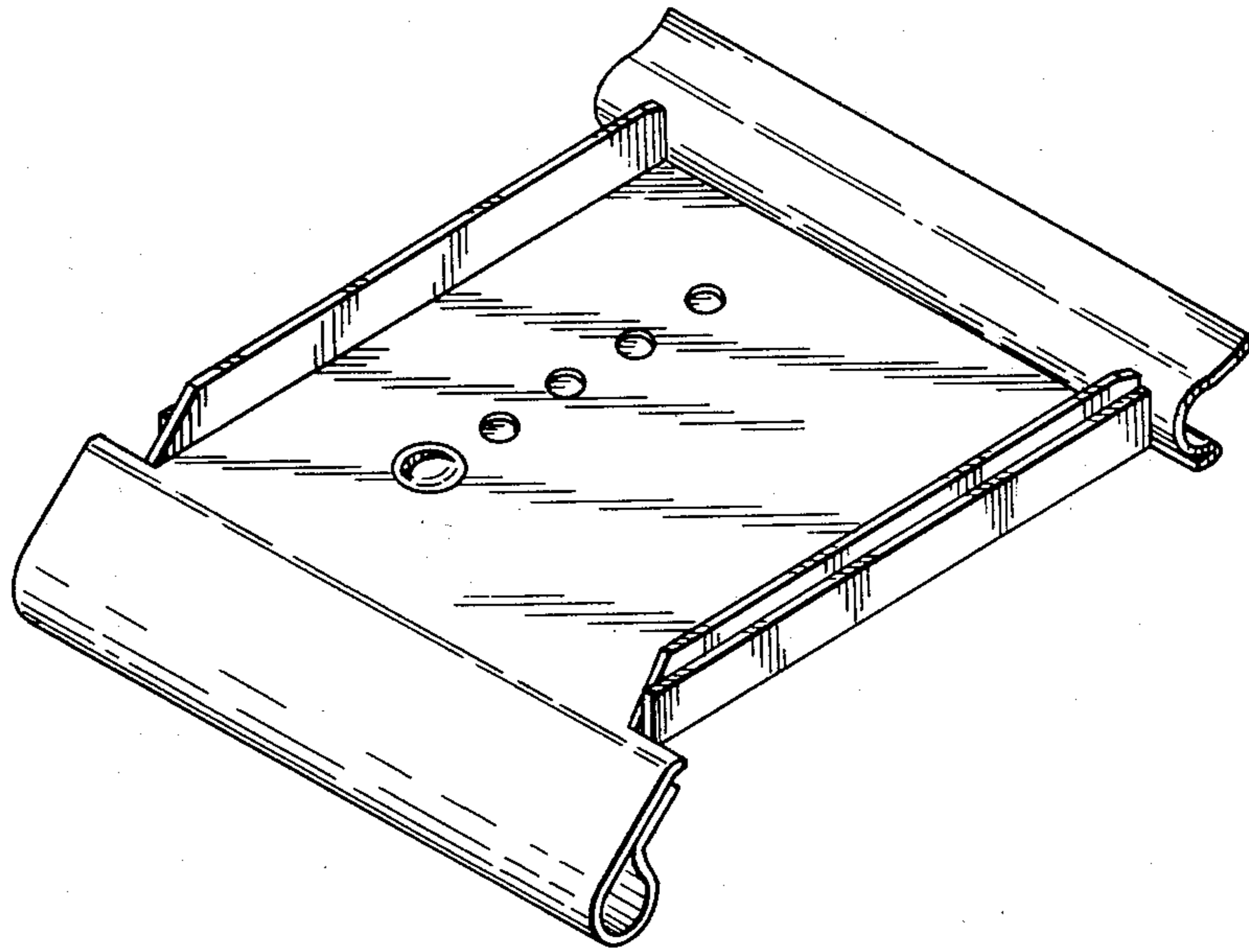
FIG. 2 is a right side view thereof, the opposite side view being a mirror image thereof.

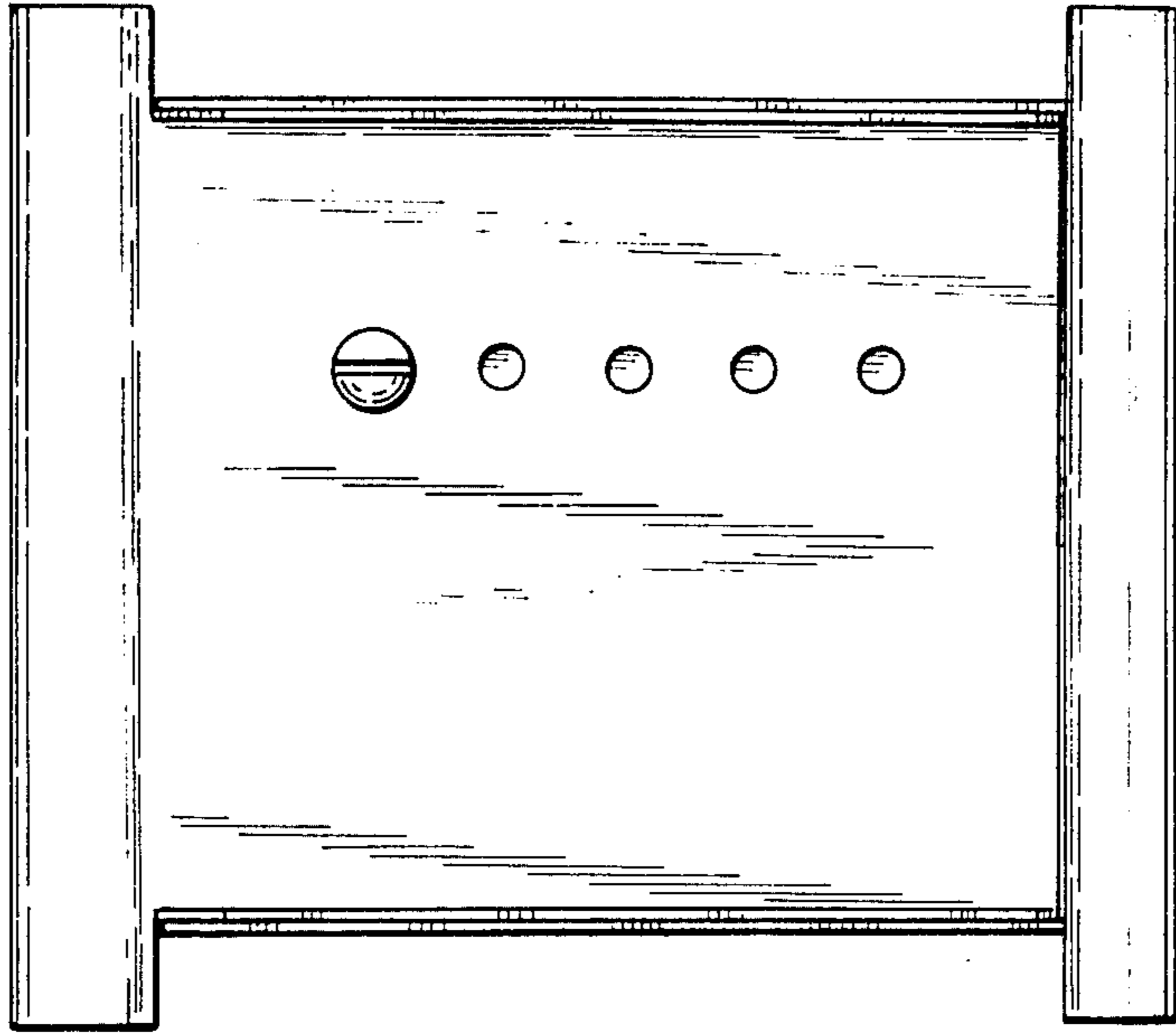
FIG. 3 is a bottom view thereof.

FIG. 4 is a rear view thereof.

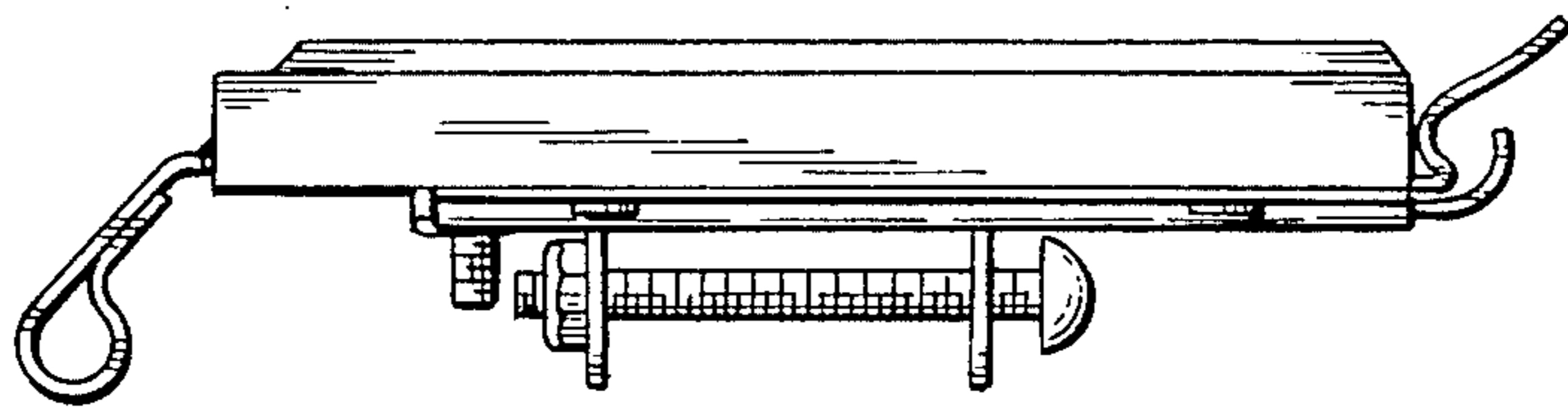
FIG. 5 is a front view thereof.

FIG. 6 is a top isometric view thereof.

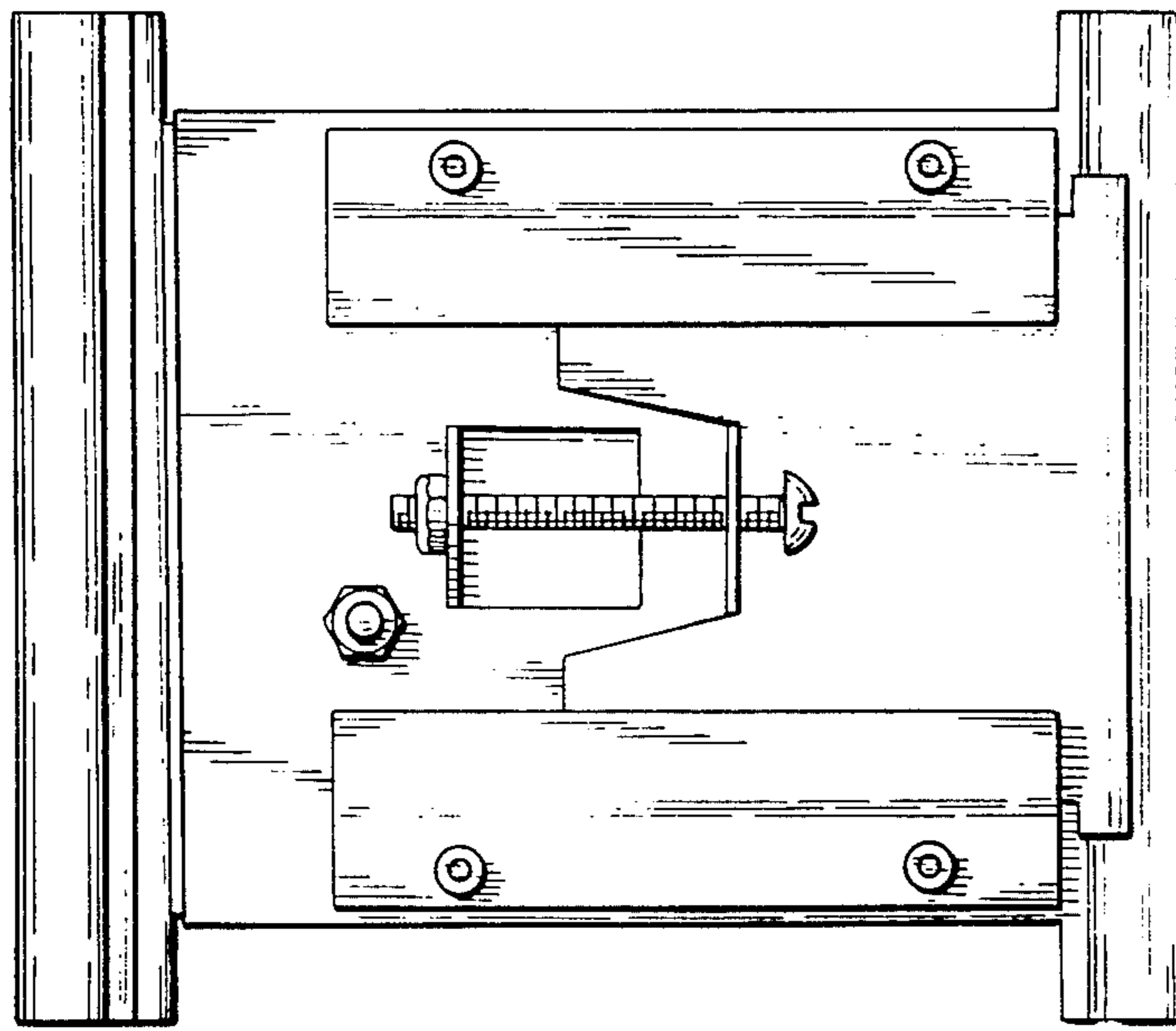




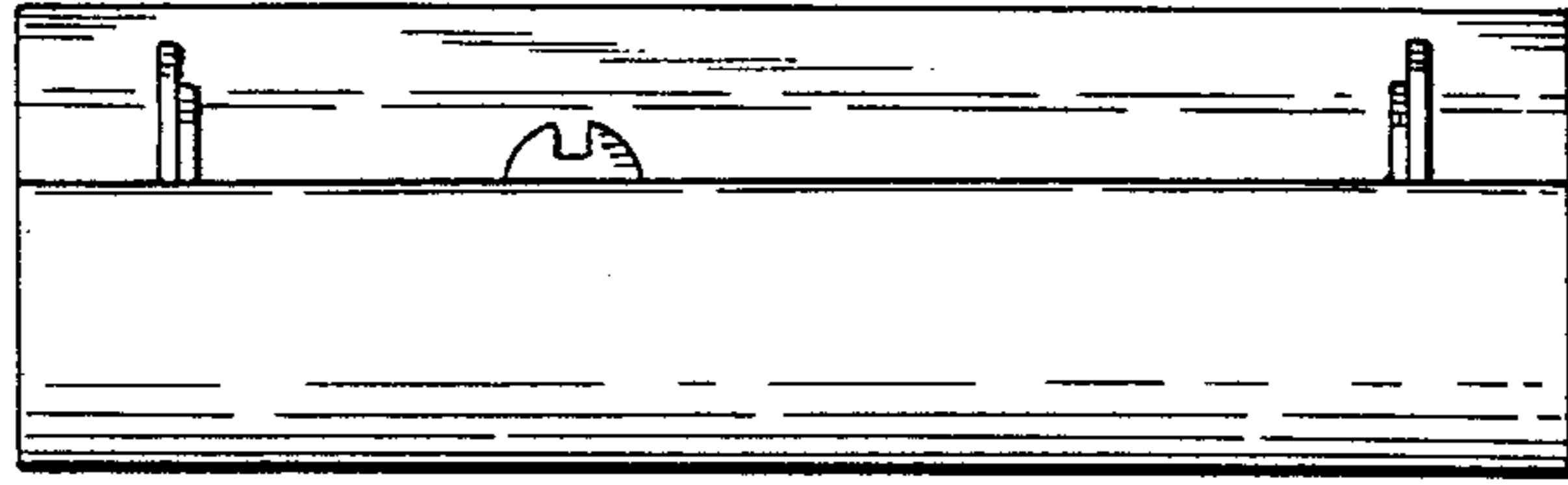
*Fig. 1*



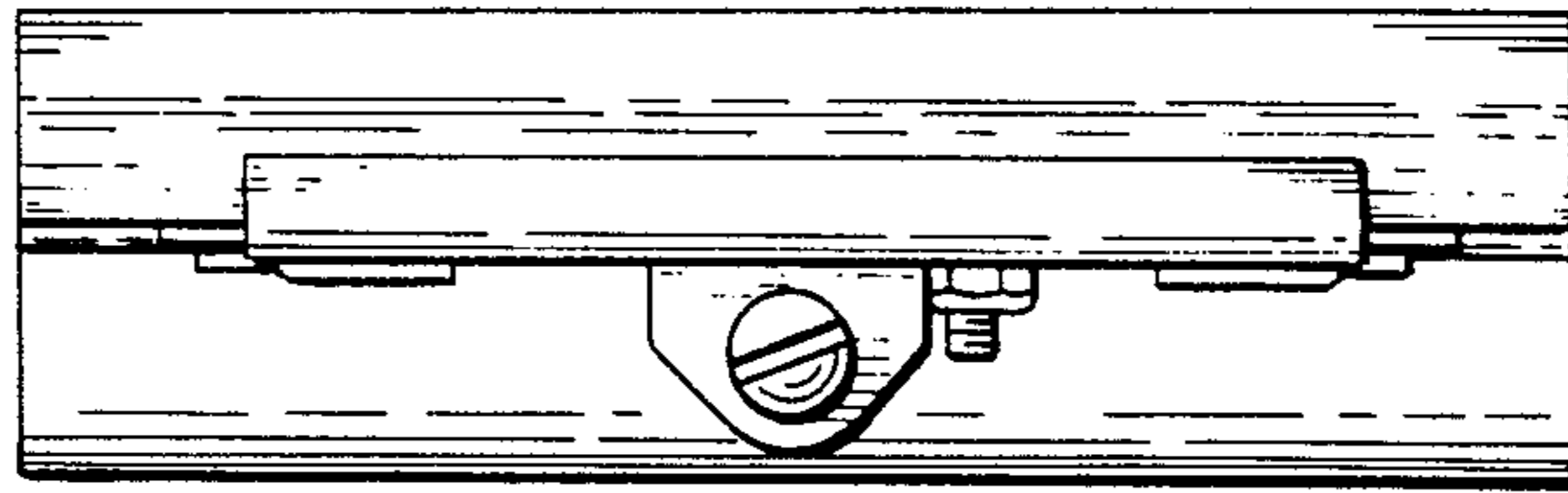
*Fig. 2*



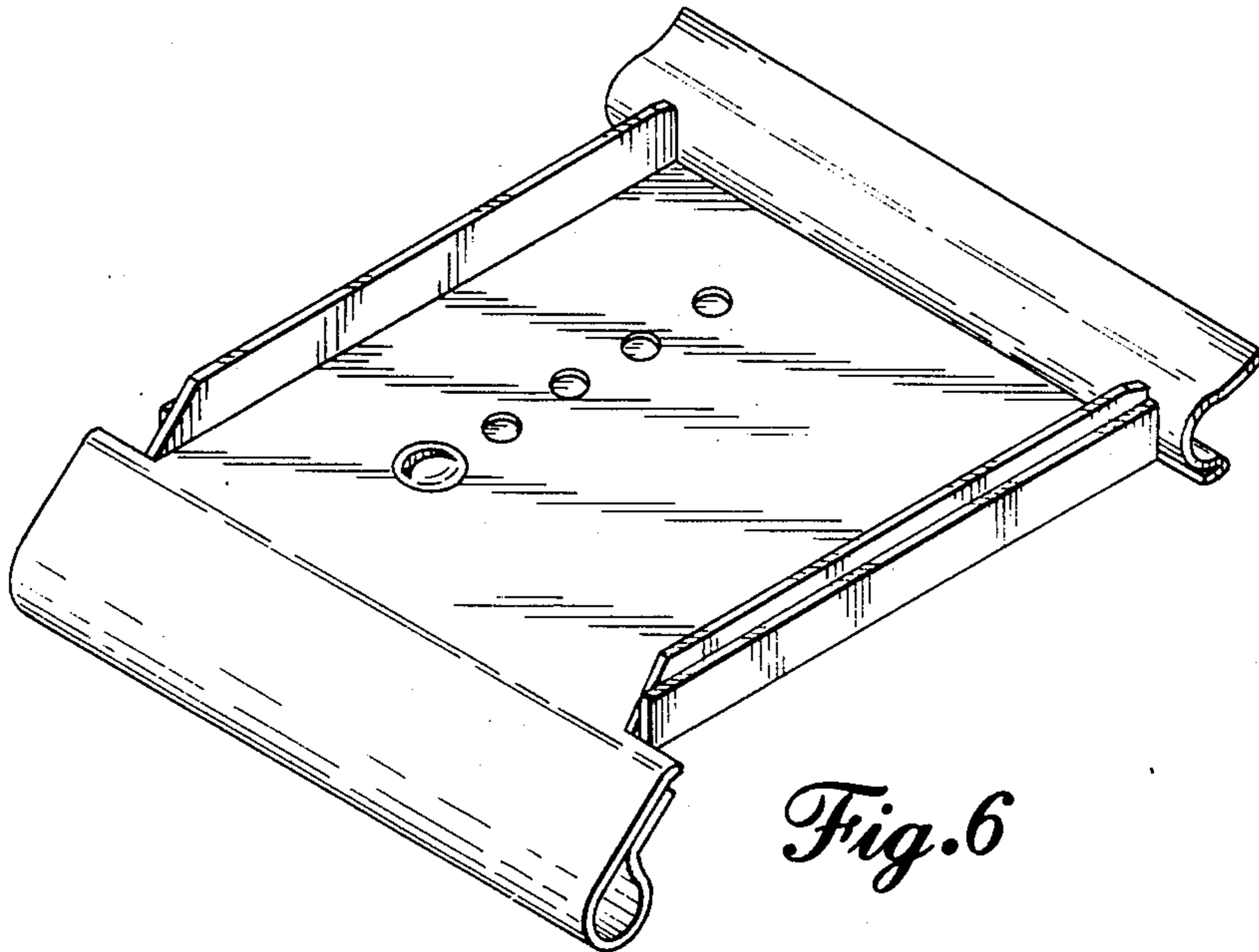
*Fig. 3*



*Fig. 4*



*Fig. 5*



*Fig. 6*