

# United States Patent [19]

McCormack et al.

[11] Patent Number: **Des. 292,635**

[45] Date of Patent: **\*\* Nov. 3, 1987**

[54] **PET BURIAL RECEPTACLE**

[75] Inventors: **Michael R. McCormack; Sandra K. McCormack**, both of Lima, Ohio

[73] Assignee: **Pet Rest Inc.**, Lima, Ohio

[\*\*] Term: **14 Years**

[21] Appl. No.: **812,850**

[22] Filed: **Dec. 23, 1985**

[52] U.S. Cl. .... **D99/1; D9/420**

[58] Field of Search ..... **D99/1-16; D9/420, 414; 27/140, 14, 16, 19, 35**

[56] **References Cited**

### U.S. PATENT DOCUMENTS

- D. 138,201 7/1944 Newlon .
- D. 183,984 11/1958 Volkel .
- D. 189,136 11/1960 Wahl et al. .... D99/3
- 214,692 4/1879 Obetz ..... 27/2
- D. 222,251 10/1971 Carson ..... D99/1
- D. 229,176 11/1973 Andrus, Jr. et al. .... D99/7

- D. 253,975 1/1980 Brunson ..... D99/6
- D. 266,619 10/1982 Krech ..... D99/5
- D. 271,000 10/1983 Rimer ..... D9/420
- 2,802,565 8/1957 Kabbash ..... D9/414 X
- 3,997,948 12/1976 Hicks ..... 27/2
- 4,320,562 3/1982 Kelley ..... 27/2

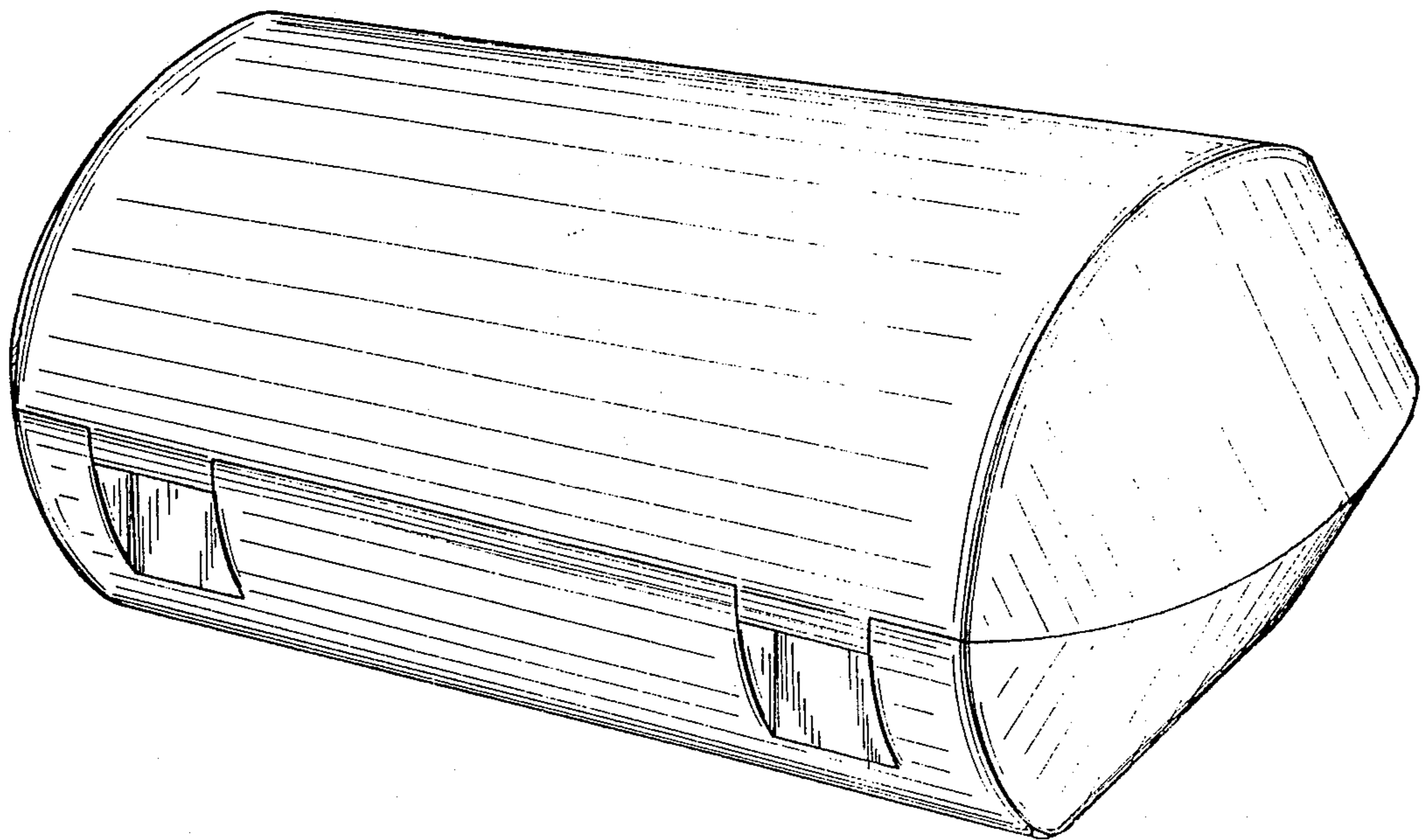
*Primary Examiner*—Louis S. Zarfes  
*Attorney, Agent, or Firm*—Pearne, Gordon, McCoy & Granger

### [57] CLAIM

The ornamental design for a pet burial receptacle, as shown.

### DESCRIPTION

FIG. 1 is a front perspective view of a pet burial receptacle showing our new design;  
FIG. 2 is a top plan view thereof;  
FIG. 3 is a front elevational view thereof with the rear elevational view being identical;  
FIG. 4 is an end elevational view thereof with the other end being identical; and  
FIG. 5 is a bottom plan view thereof.



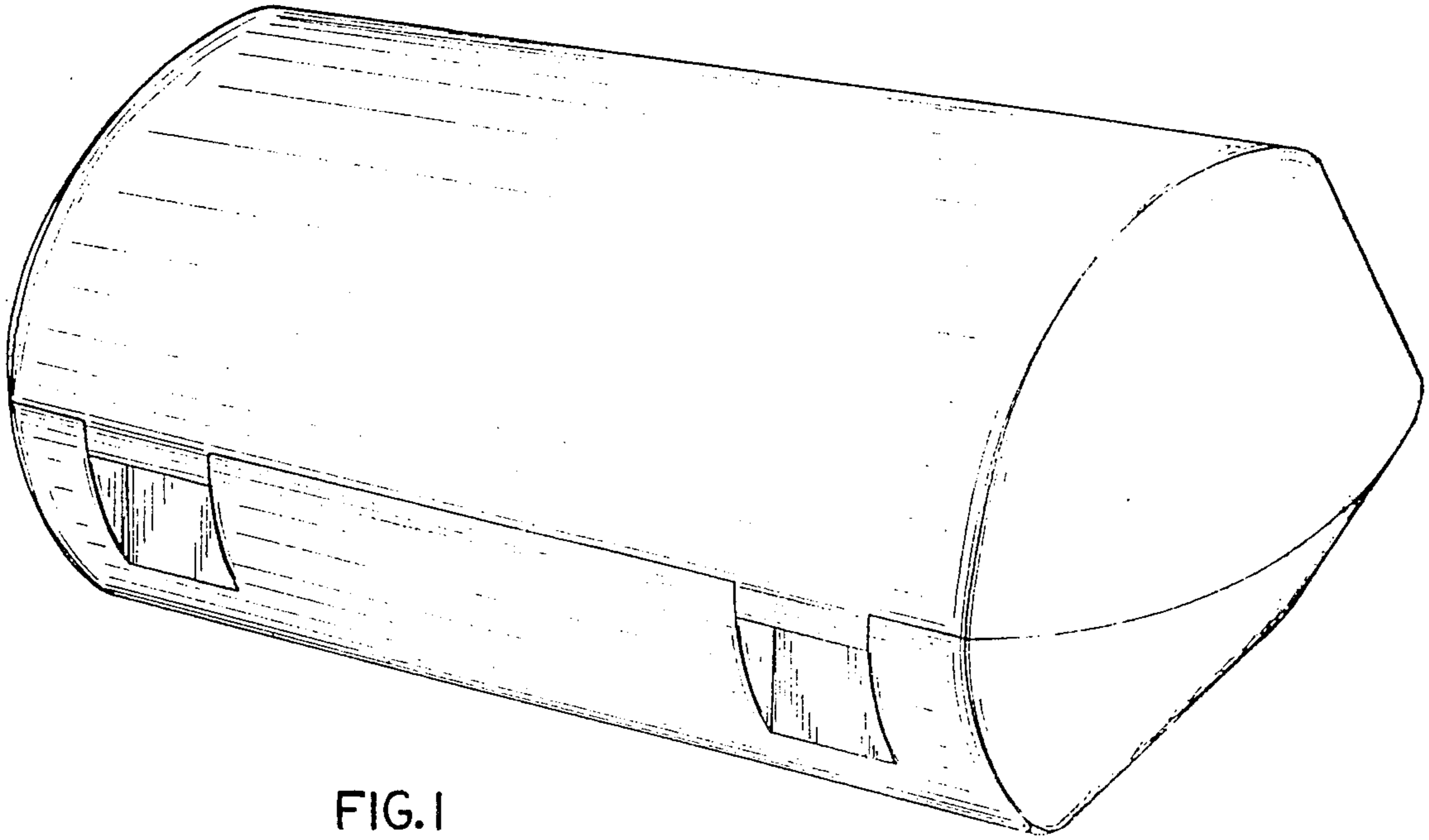


FIG. 1

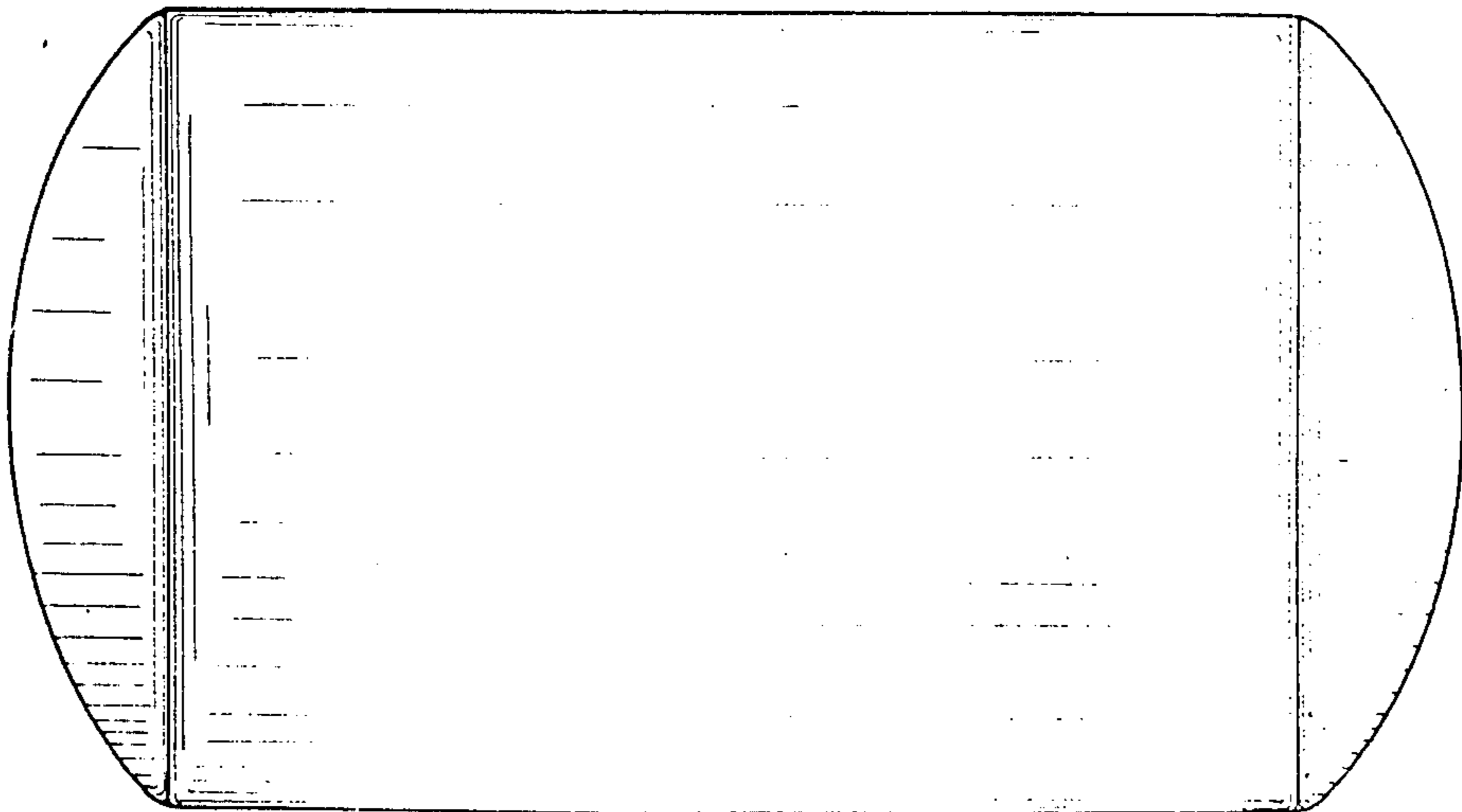


FIG. 2

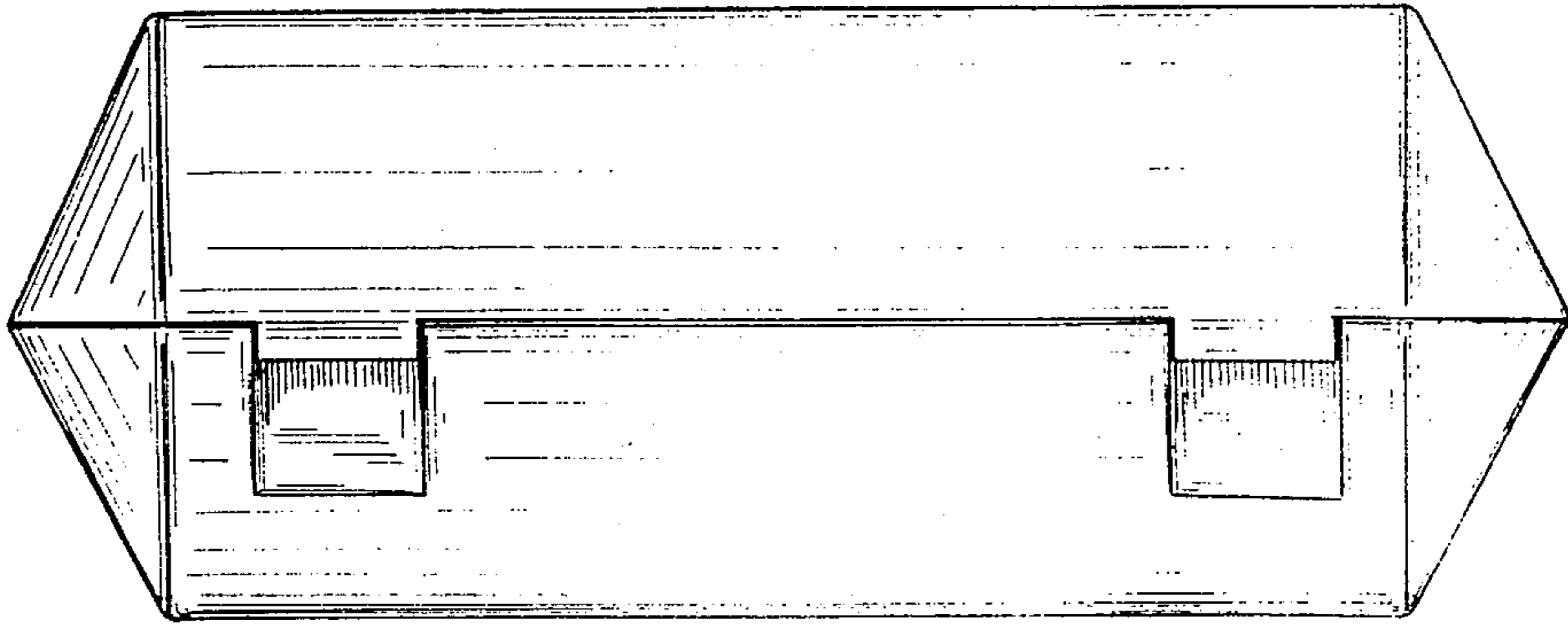


FIG. 3

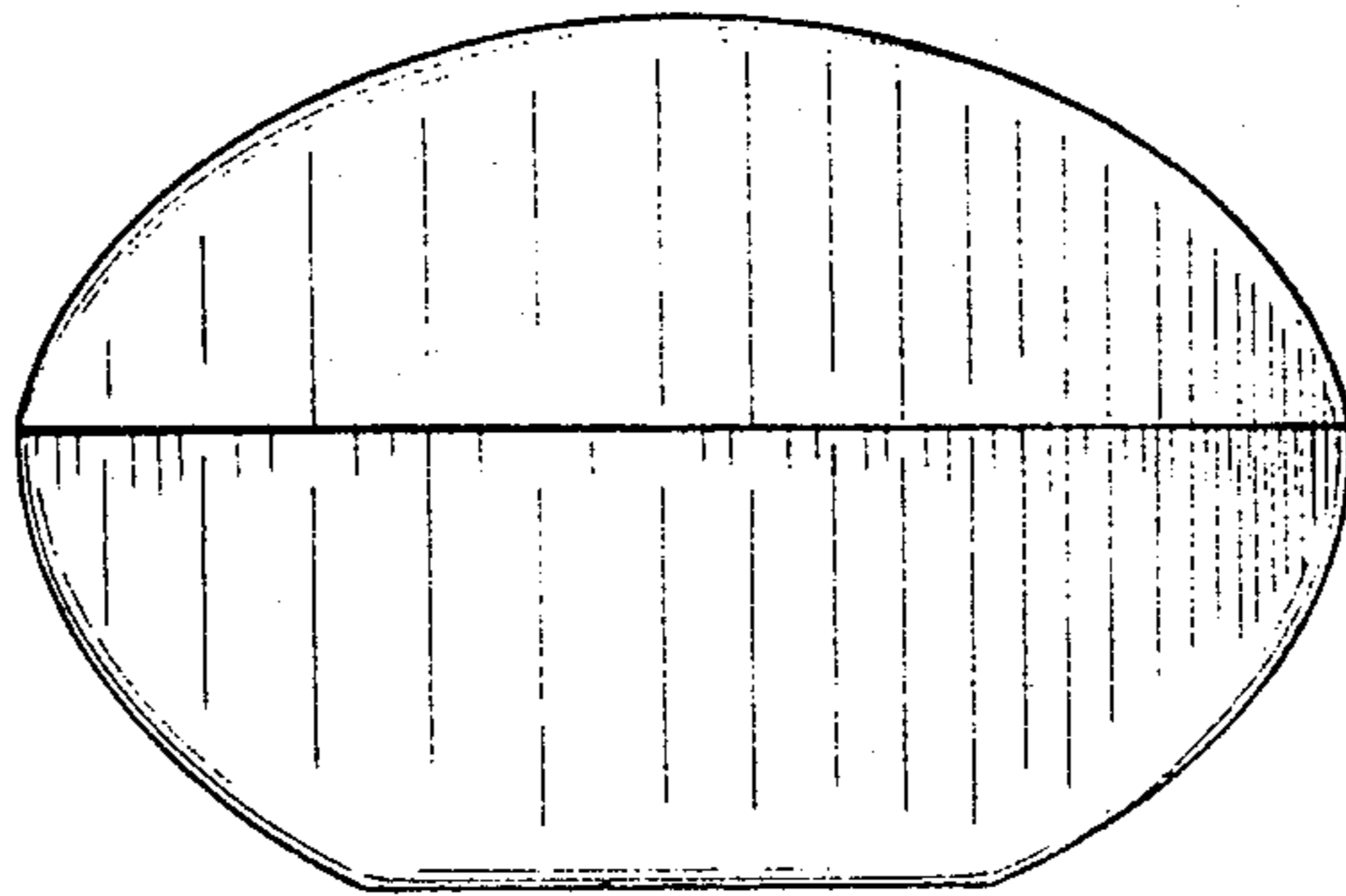


FIG. 4

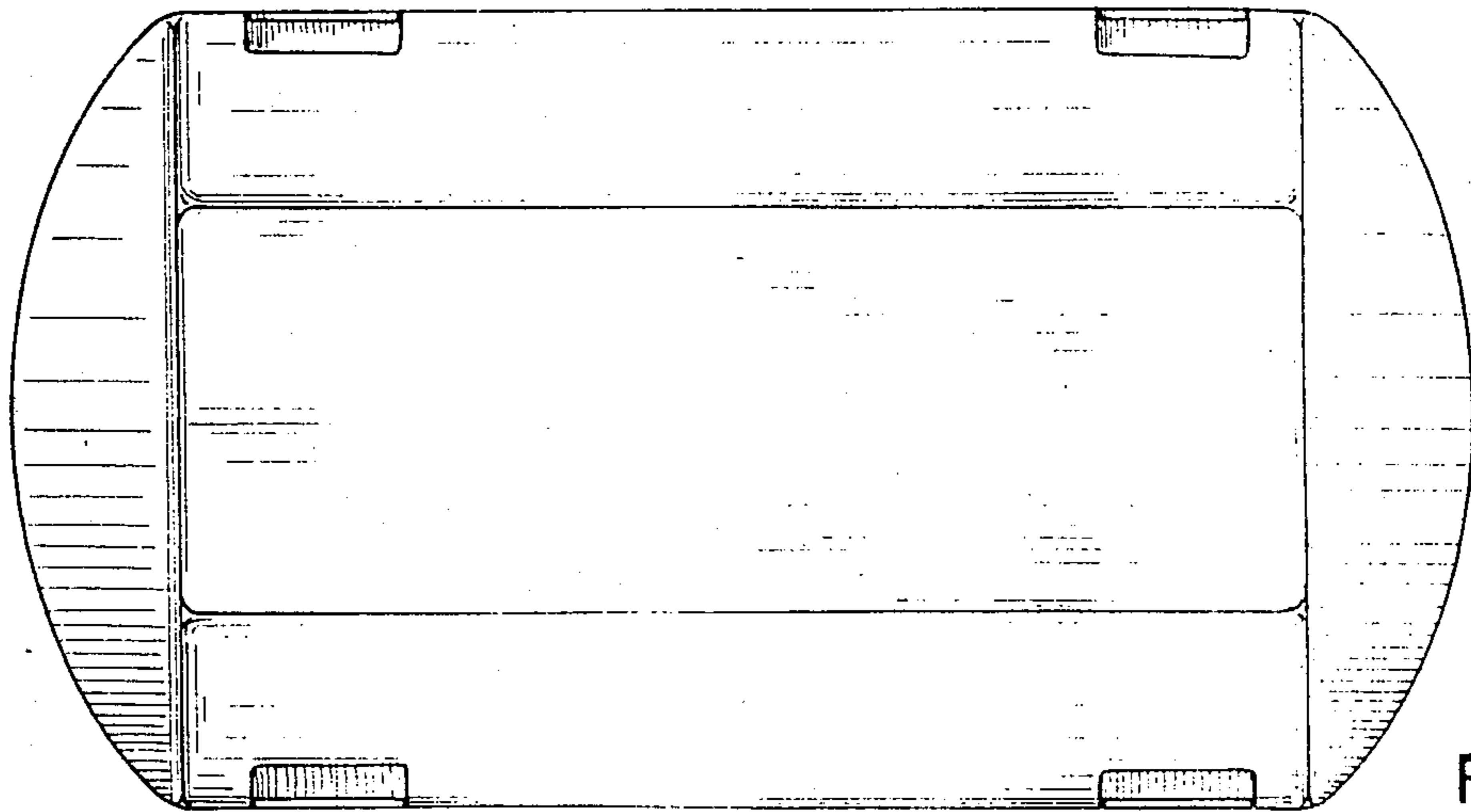


FIG. 5