

[54] SAFETY RAZOR CARTRIDGE

[75] Inventor: Clemens A. Iten, Staunton, Va.

[73] Assignee: American Safety Razor Company, Verona, Va.

[**] Term: 14 Years

[21] Appl. No.: 614,235

[22] Filed: May 25, 1984

[52] U.S. Cl. D28/47

[58] Field of Search D28/44-49; 30/32, 34 R, 47, 50, 85, 90

3,703,764 11/1972 Perry 30/32

3,724,070 4/1973 Dorion, Jr. 30/47

3,777,396 12/1973 Simonetti 30/32

3,785,051 1/1974 Dawidowicz 30/40.2

3,786,563 1/1974 Dorion, Jr. et al. 30/50

3,934,338 1/1976 Braginetz 30/47

4,208,791 6/1980 Van Cleve 30/49

4,345,374 8/1982 Jacobson 30/47

4,516,320 5/1985 Peleckis 30/50 X

Primary Examiner—Louis S. Zarfaz
 Attorney, Agent, or Firm—Nixon & Vanderhye

[57] CLAIM

The ornamental design for a safety razor cartridge, as shown and described.

DESCRIPTION

FIG. 1 is a perspective view of a safety razor cartridge showing my new design;

FIG. 2 is a front elevational view thereof;

FIG. 3 is a bottom plan view thereof;

FIG. 4 is a back elevational view thereof;

FIG. 5 is a top plan view thereof; and

FIG. 6 is an end view of my new design, each end being symmetrical.

[56] References Cited

U.S. PATENT DOCUMENTS

D. 235,586	6/1975	Poisson	D28/46
D. 249,968	10/1978	Kiraly	D28/46
1,342,028	6/1920	Nordskog	.	
1,455,674	5/1923	Short	.	
1,670,309	5/1928	McAbee	.	
2,545,533	3/1951	Stewart	D28/46
2,712,178	7/1955	Marzio	30/73
3,407,496	10/1968	Pomper	30/49

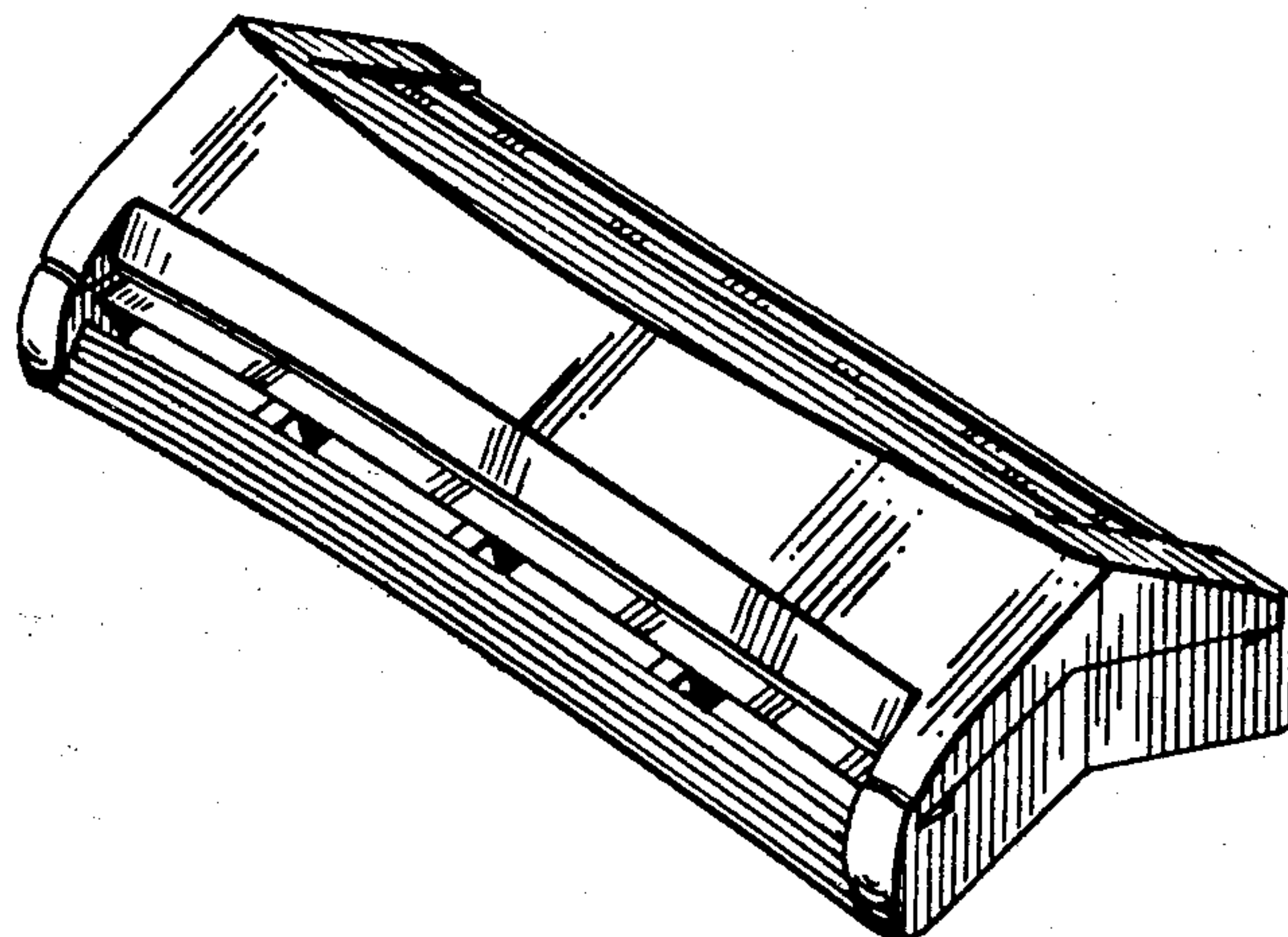


Fig. 1

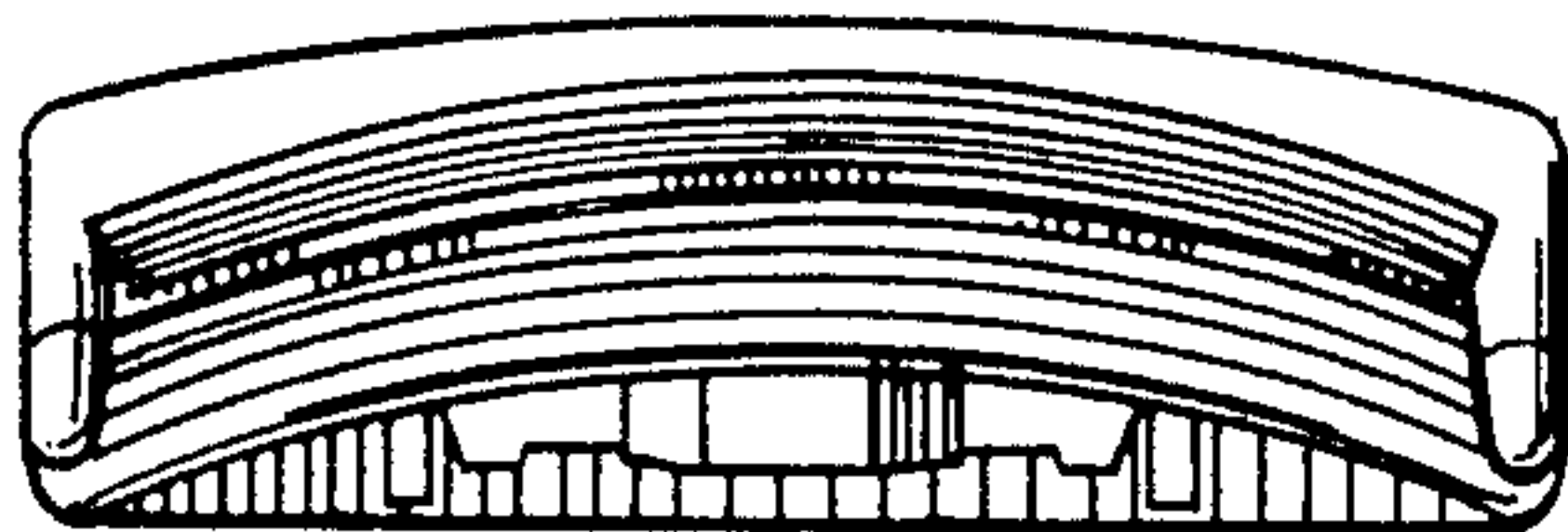
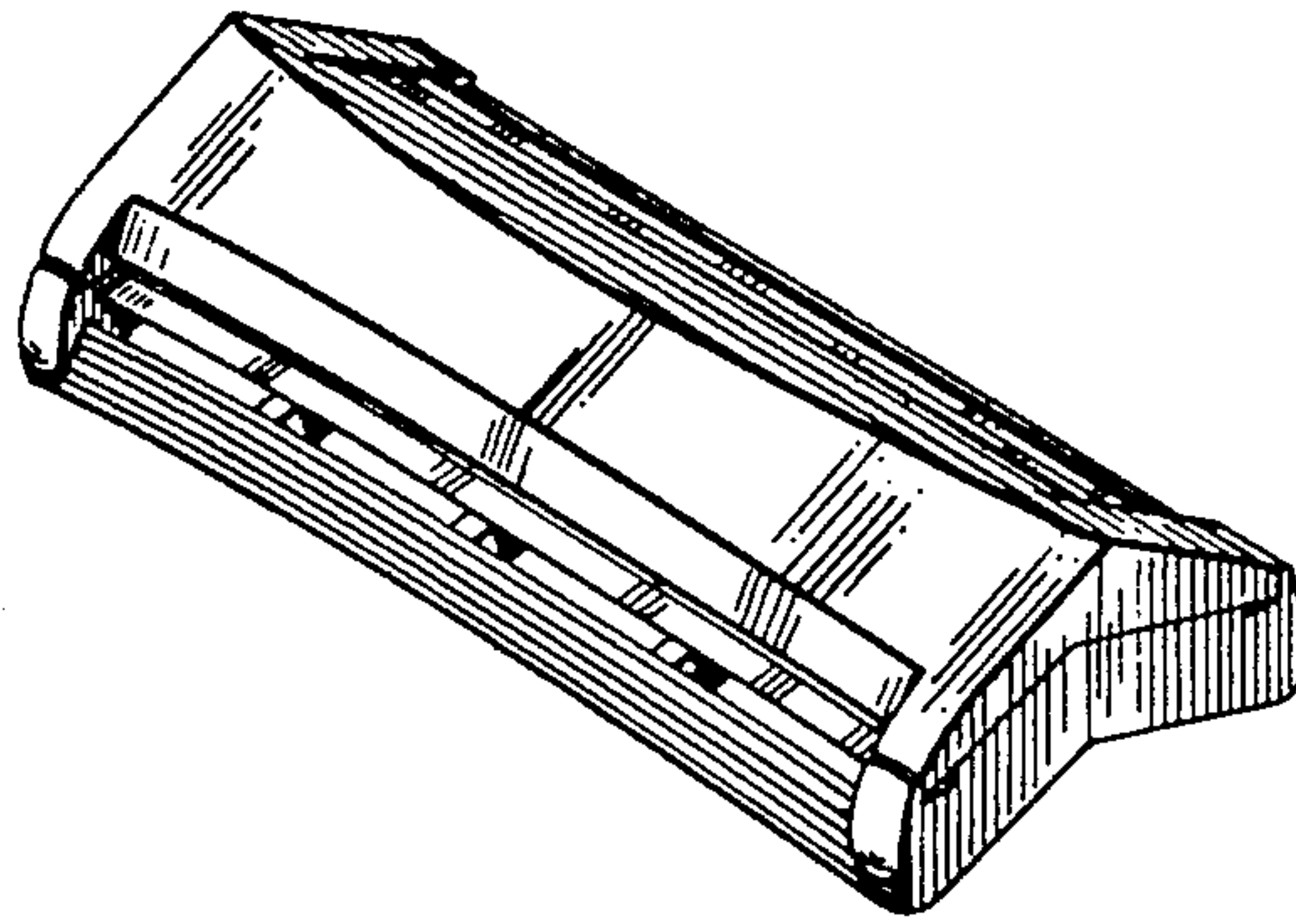


Fig. 2

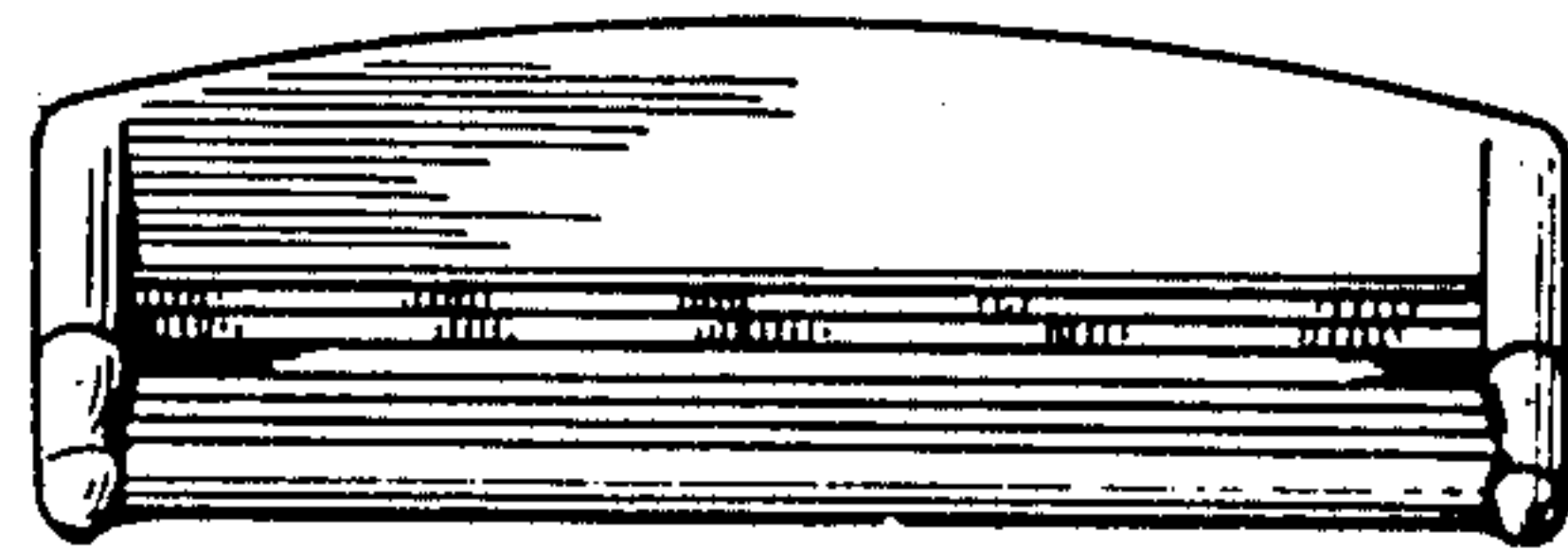


Fig. 4

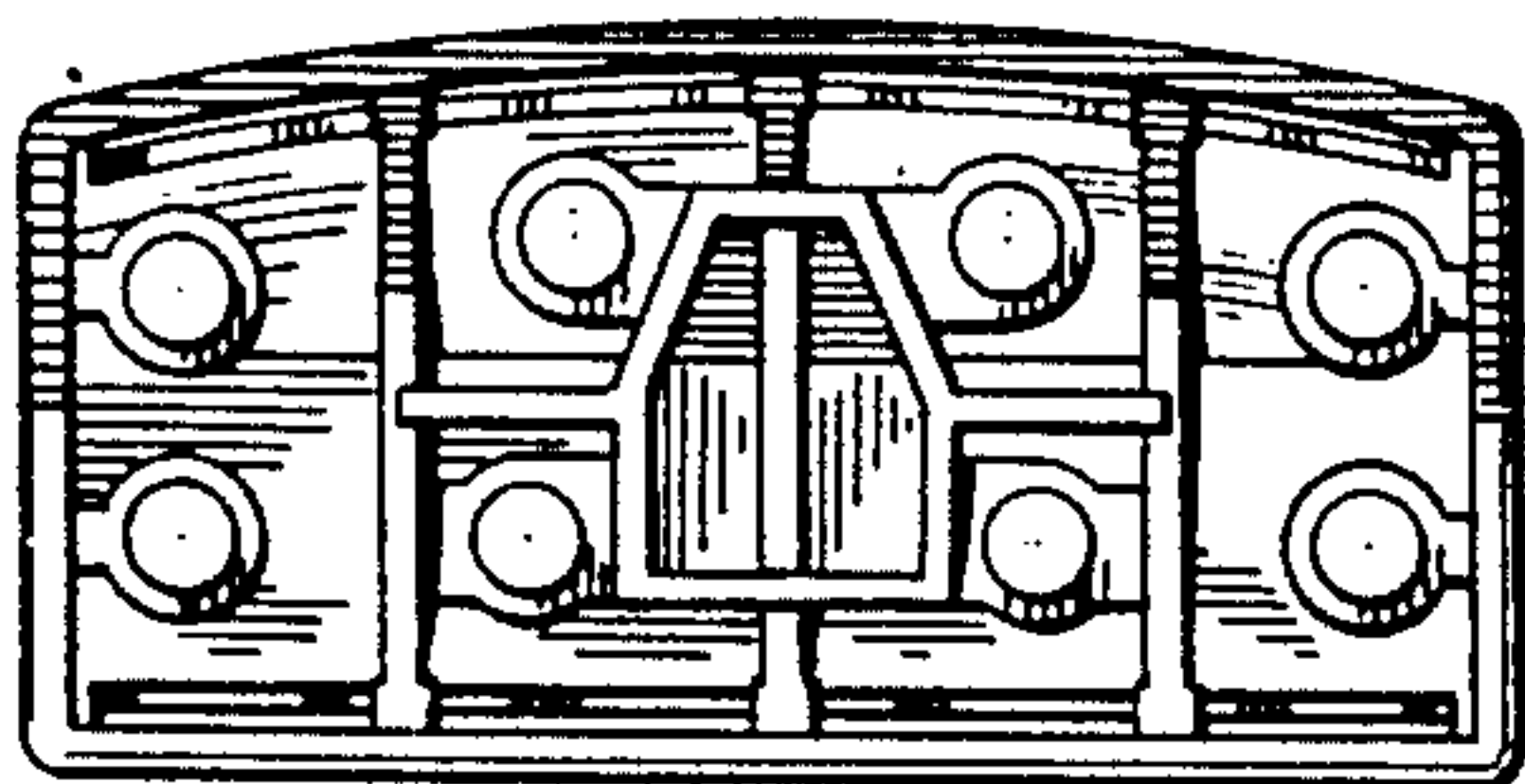


Fig. 3

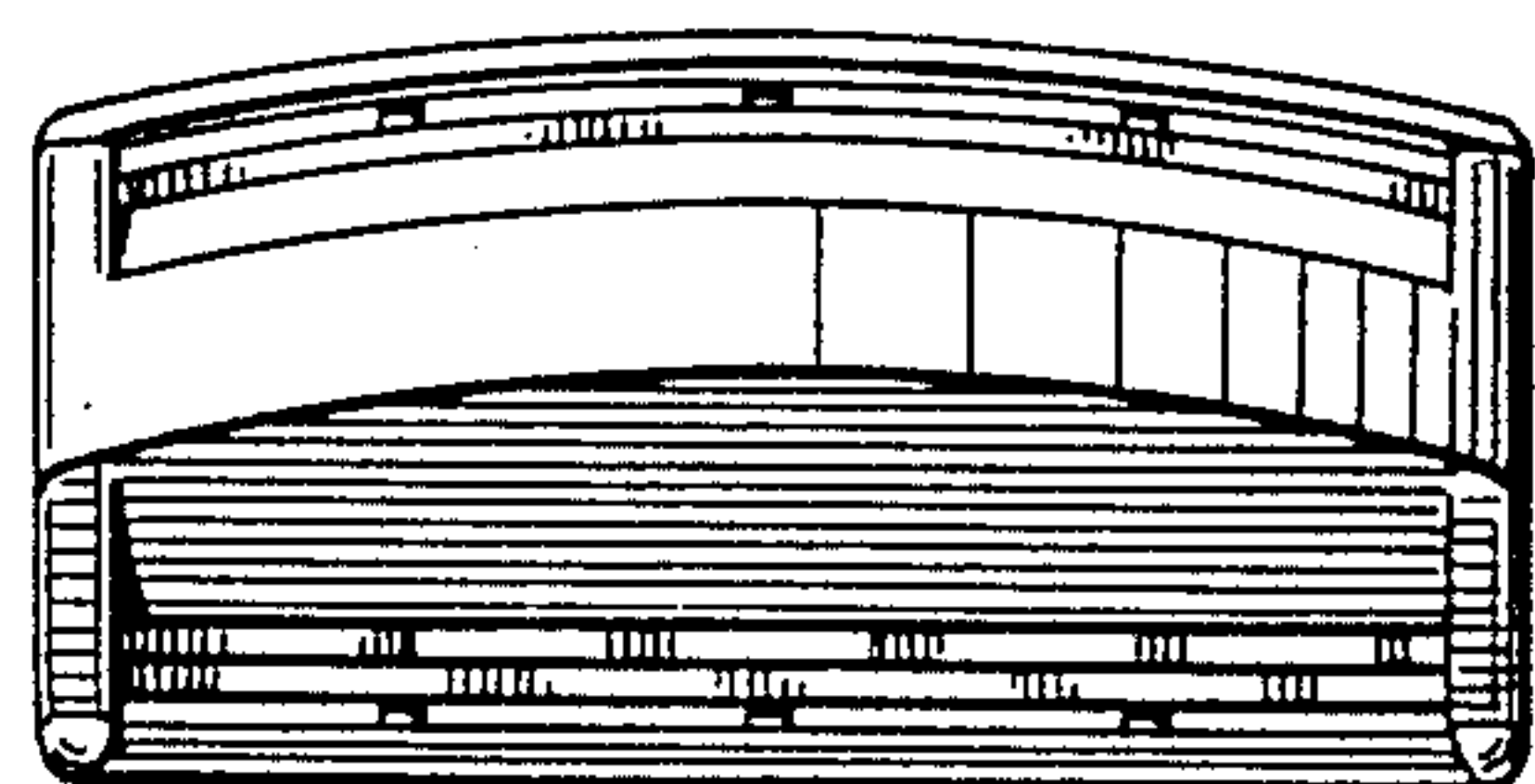


Fig. 5

Fig. 6

