

[54] **MOUNTING FRAME FOR FLUORESCENT TUBE**

[76] **Inventor: Yung-Hsian Chen, No. 4, Lane 165, Foo-Teh St., Sung-Shan District, Taipei, Taiwan**

[\*\*] **Term: 14 Years**

[21] **Appl. No.: 690,899**

[22] **Filed: Jan. 14, 1985**

[52] **U.S. Cl. .... D26/141; D26/75**

[58] **Field of Search .... D26/72, 75-79, D26/118, 128, 140, 138, 141, 142, 148, 149; 362/217, 219, 220, 222, 223; 362/341, 347, 349**

[56] **References Cited**

**U.S. PATENT DOCUMENTS**

D. 136,382	9/1943	Guth .....	D26/138
D. 177,532	4/1956	Meyer et al. ....	D26/128
2,474,308	6/1949	Franck et al. ....	D26/76 X
4,494,175	1/1985	Gawad .....	362/347 X

**FOREIGN PATENT DOCUMENTS**

3000809 7/1981 Fed. Rep. of Germany ..... 362/217

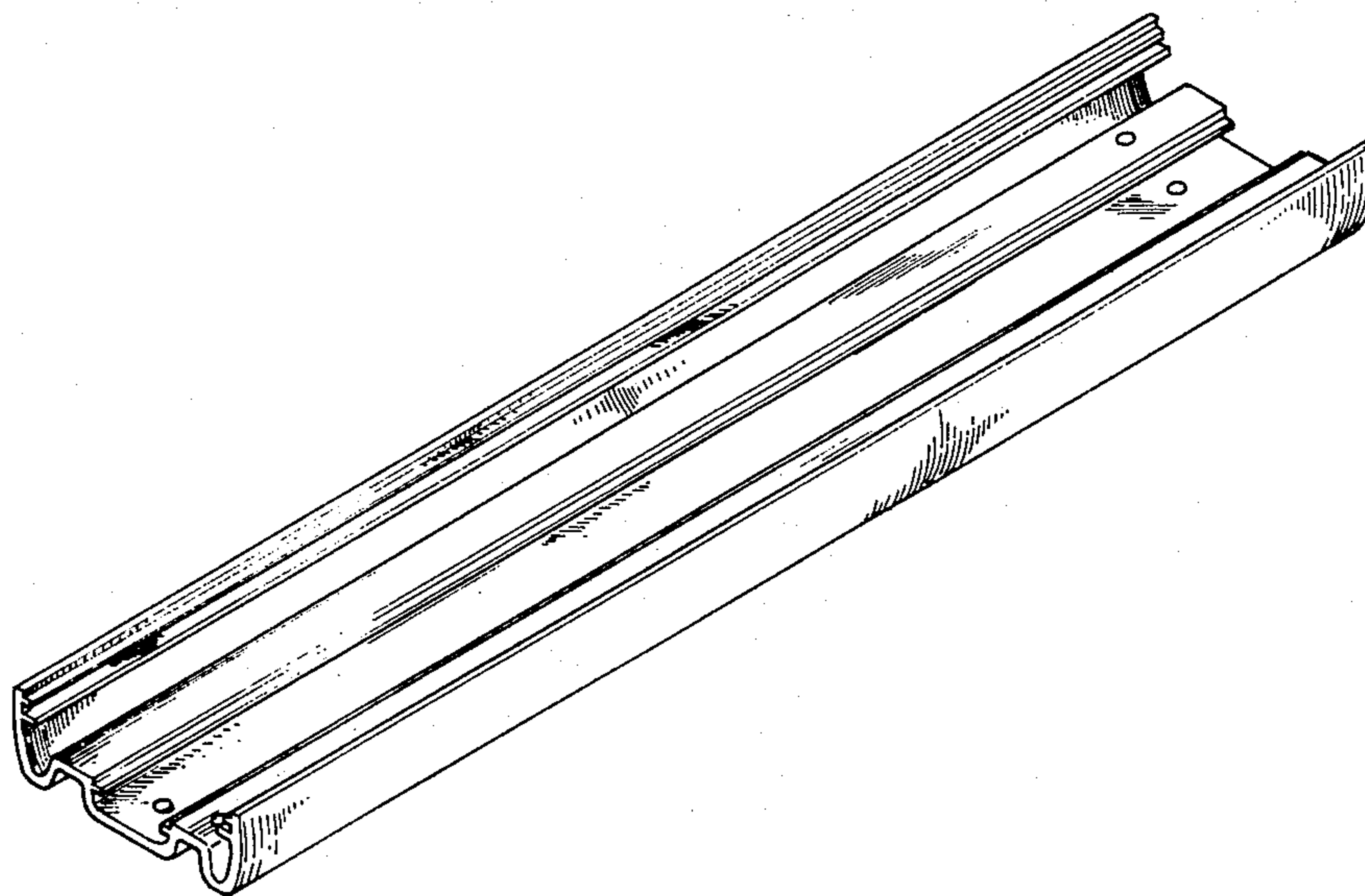
*Primary Examiner*—Susan J. Lucas  
*Attorney, Agent, or Firm*—Robert B. Frailey

[57] **CLAIM**

The ornamental design for a mounting frame for fluorescent tube, as shown and described.

**DESCRIPTION**

FIG. 1 is a perspective view of a frame of fluorescent tube showing my new design;  
FIG. 2 is a top plan view thereof;  
FIG. 3 is a front elevational view thereof;  
FIG. 4 is a right side elevational view thereof;  
FIG. 5 is a left side elevational view thereof;  
FIG. 6 is a rear elevational view thereof;  
FIG. 7 is a bottom plan view thereof;  
FIG. 8 is a perspective view thereof similar to FIG. 1, but with a pair of fluorescent tube sockets being shown in broken lines for illustrative purposes only.



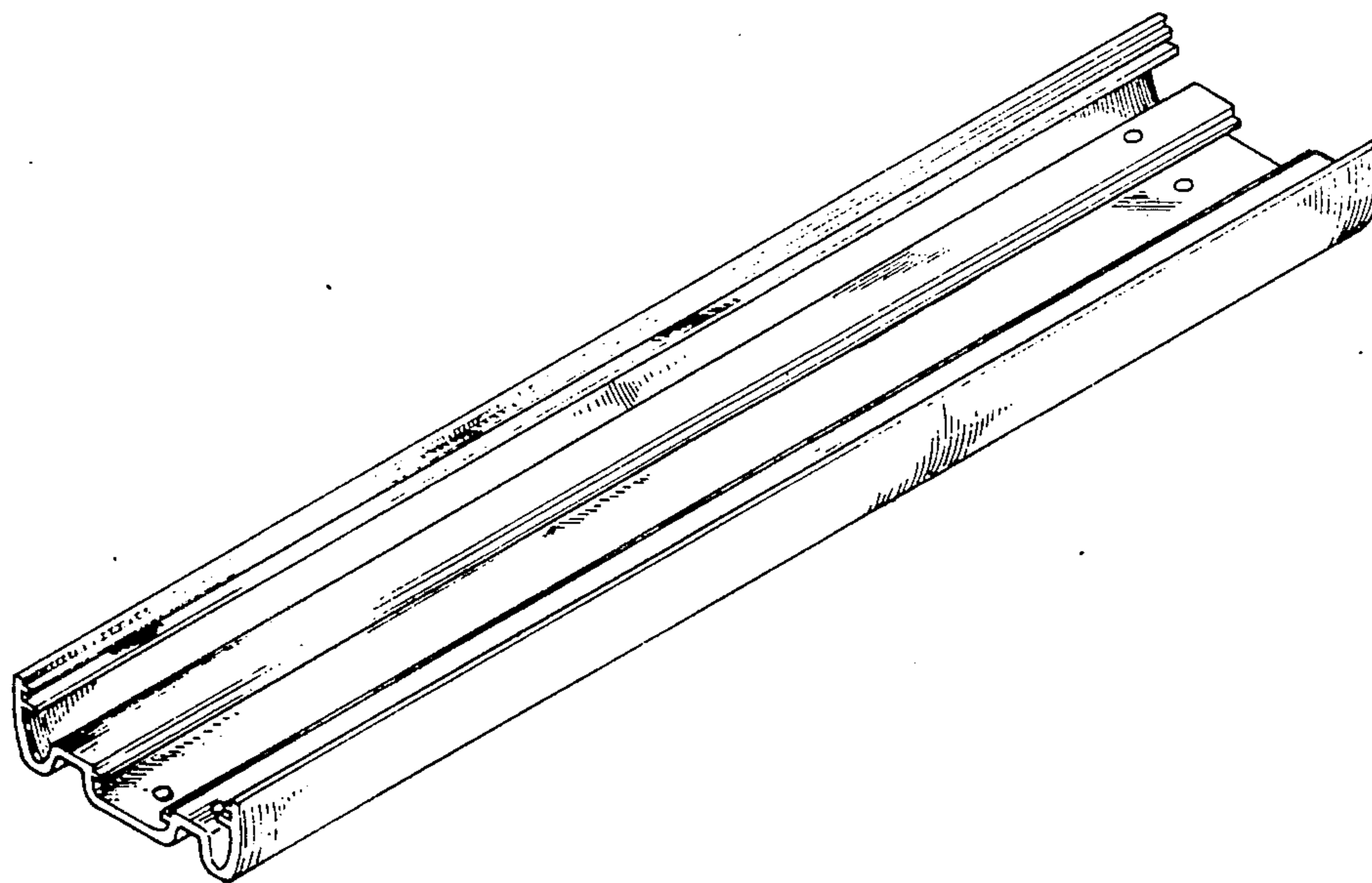


FIG. 1

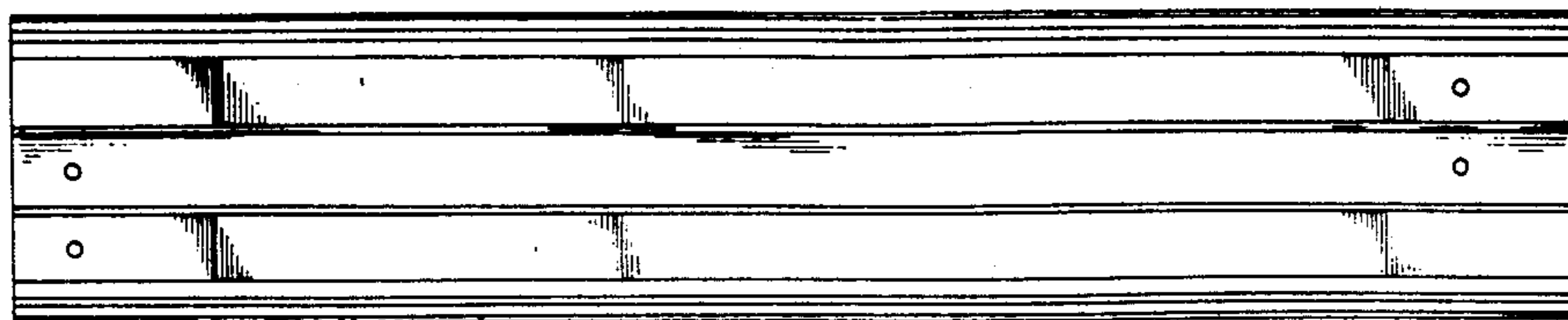


FIG. 2

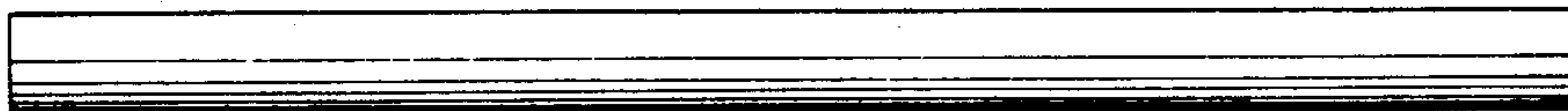


FIG. 3

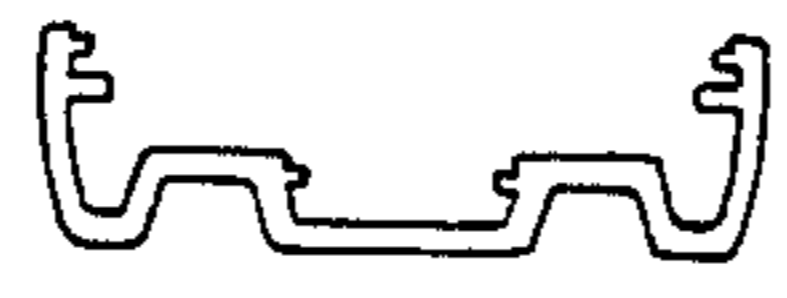


FIG. 4



FIG. 5

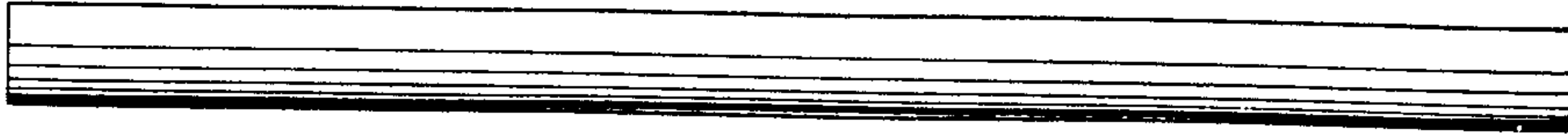


FIG. 6

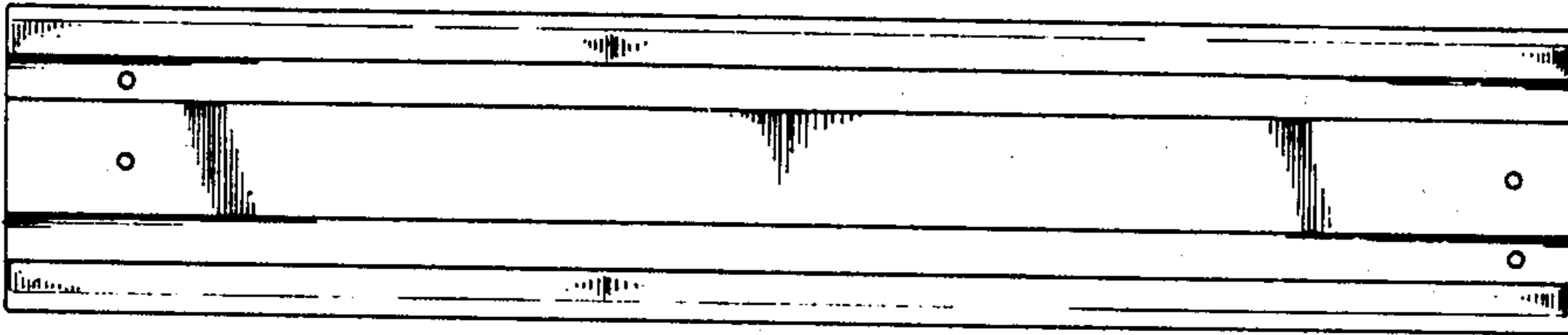


FIG. 7

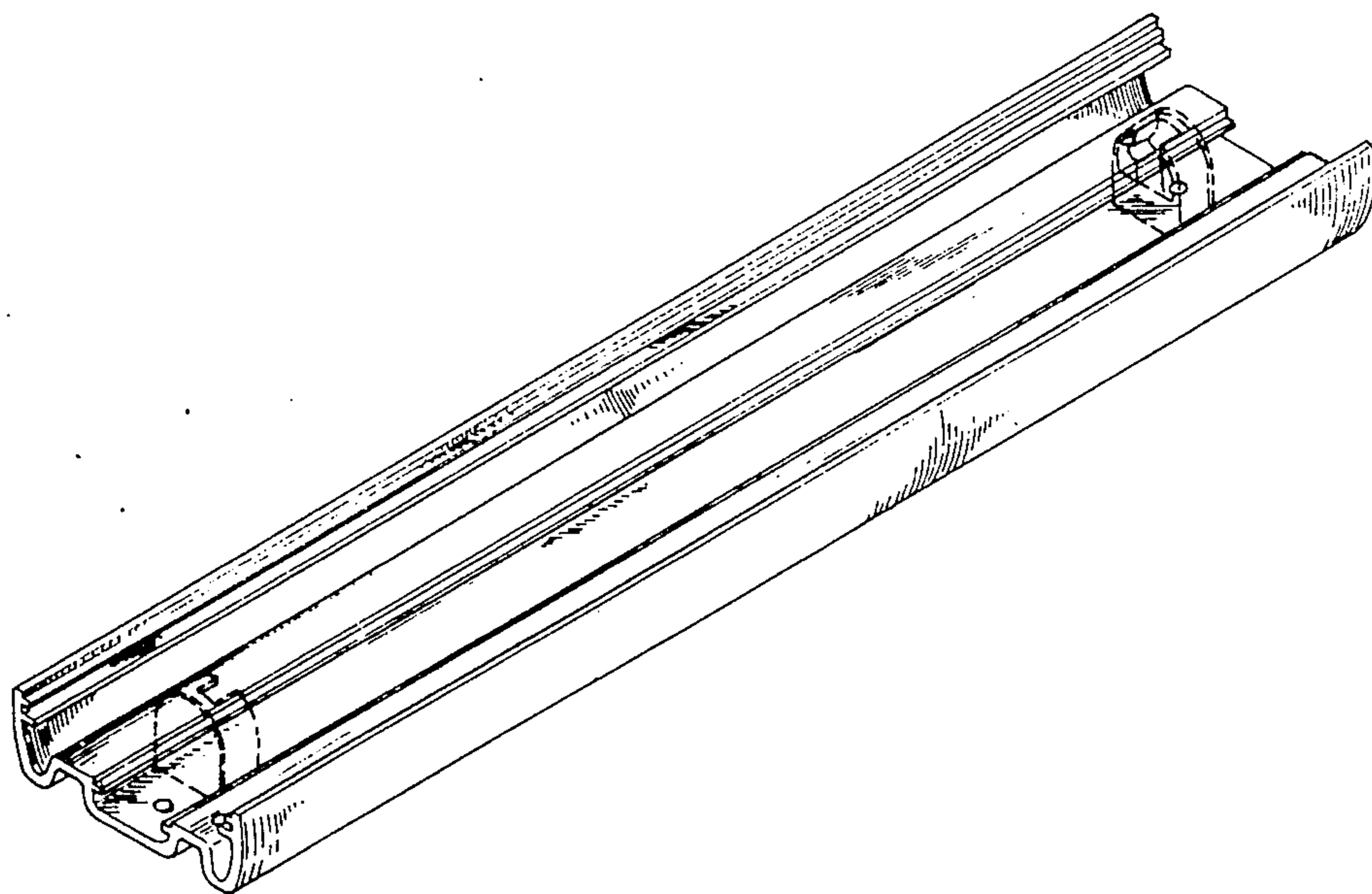


FIG. 8