

# United States Patent [19]

Nilsson

[11] Patent Number: **Des. 292,614**

[45] Date of Patent: **\*\* Nov. 3, 1987**

[54] **HOSPITAL EQUIPMENT SUPPORT RAIL**

[75] Inventor: **Agne Nilsson, Bagshot, England**

[73] Assignee: **M.T.D. Medical Technology and Development Ltd., Nicosia, Cyprus**

[\*\*] Term: **14 Years**

[21] Appl. No.: **677,170**

[22] Filed: **Dec. 3, 1984**

[52] U.S. Cl. .... **D25/122; D25/38; D25/123**

[58] Field of Search ..... **D25/38, 70, 73, 74; 256/59, 21, 22; 211/94, 87, 88; 52/764, 731**

[56] **References Cited**

### U.S. PATENT DOCUMENTS

3,498,589 3/1970 Murdock ..... 256/21  
3,526,074 9/1970 Miller ..... 52/731

3,955,799 5/1976 Lauzier ..... 256/59  
4,457,436 7/1984 Kelley ..... 211/94

### FOREIGN PATENT DOCUMENTS

1068458 5/1967 United Kingdom ..... 211/94  
724129 2/1955 United Kingdom ..... 52/764

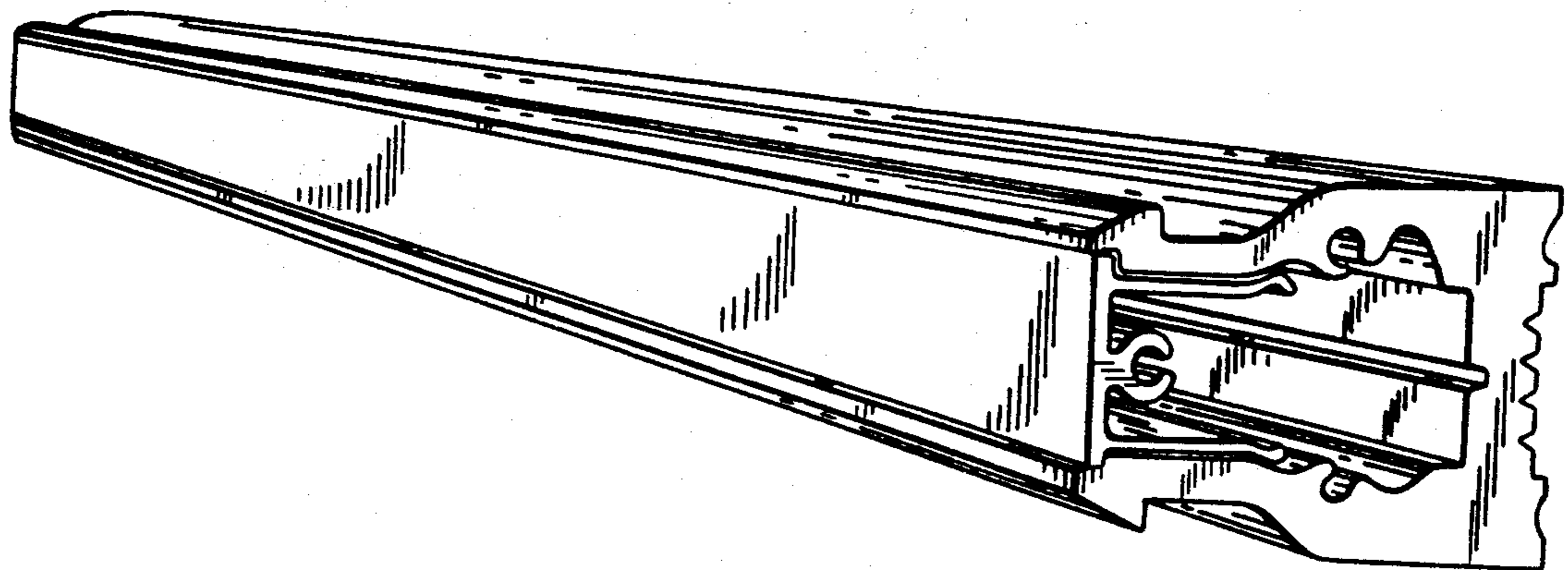
*Primary Examiner*—James M. Gandy  
*Attorney, Agent, or Firm*—Ladas & Parry

[57] **CLAIM**

The ornamental design for a hospital equipment support rail, as shown.

### DESCRIPTION

FIG. 1 is a perspective view of a hospital equipment support rail showing my new design; FIG. 2 is a perspective view thereof with the front cover omitted for clarity of illustration; and FIG. 3 is a perspective view of the cover thereof.



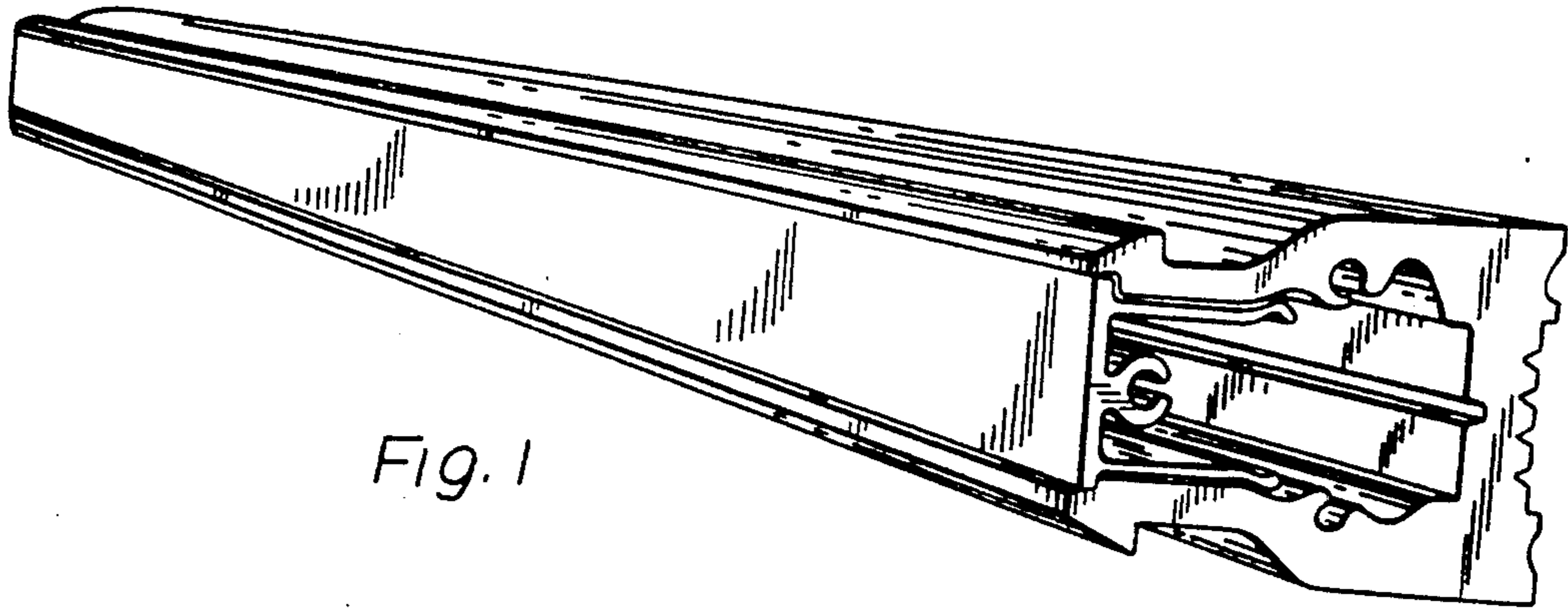


Fig. 1

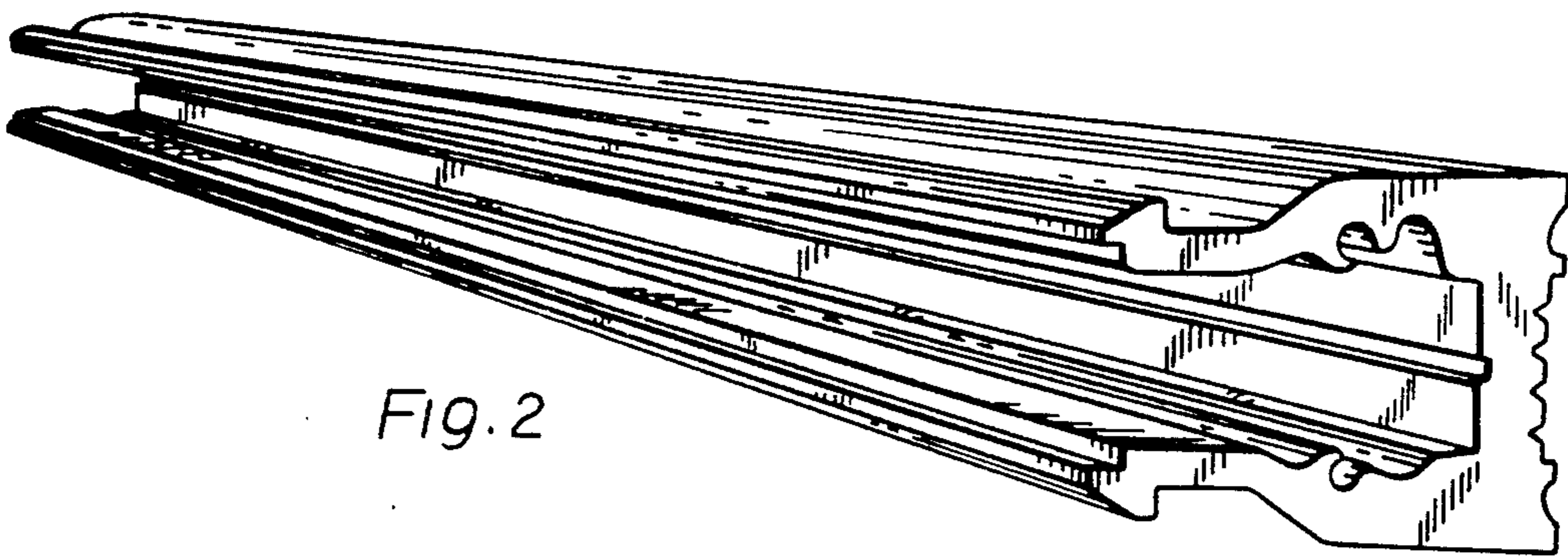


Fig. 2

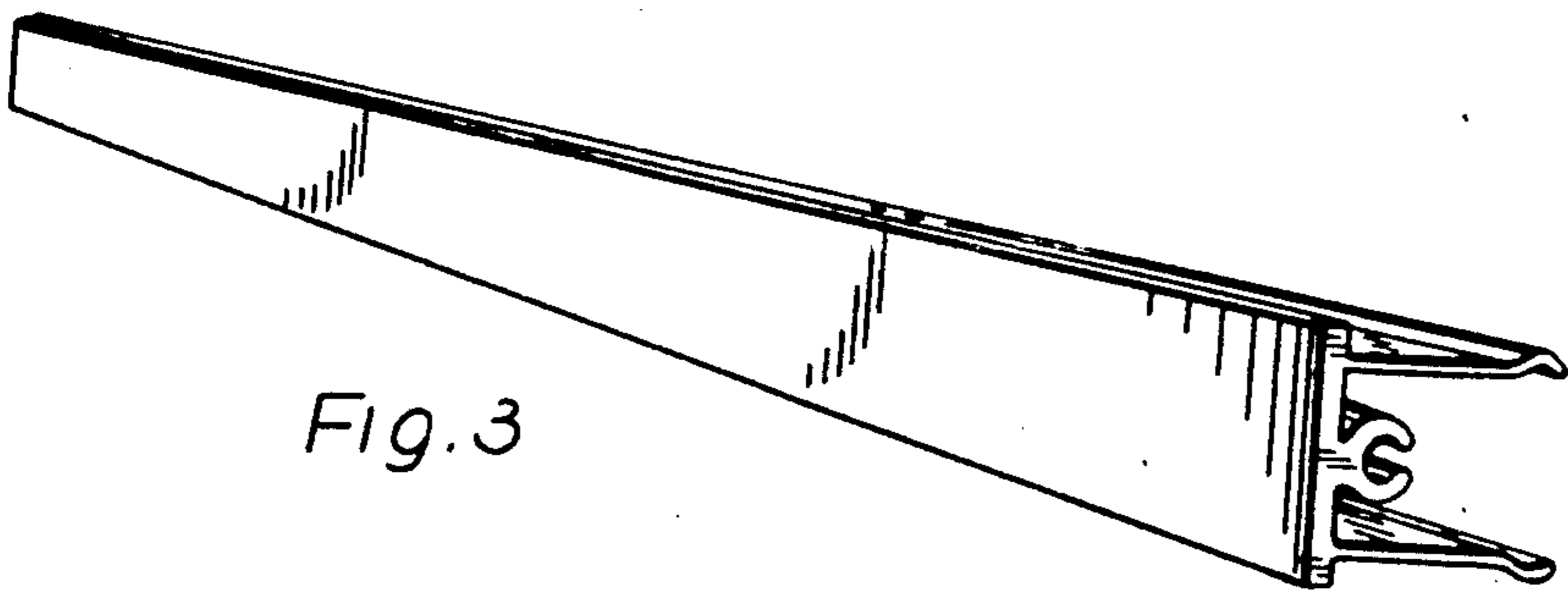


Fig. 3