

[54] **PEDIATRIC TRAUMA BOARD**

[76] **Inventor: Margot Fitsch, 870 Satucket Rd.,
 Brewster, Mass. 02631**

[**] **Term: 14 Years**

[21] **Appl. No.: 718,438**

[22] **Filed: Apr. 1, 1985**

[52] **U.S. Cl. D24/64; D12/128**

[58] **Field of Search D24/64; 128/133, 134;
 5/82 R, 434, 436; D12/128**

[56] **References Cited**

U.S. PATENT DOCUMENTS

Re. 24,377	10/1957	Creelman	5/436
2,141,100	12/1938	Warden	5/82
2,361,789	10/1944	Nicholas	5/82
3,347,544	10/1967	Uffenorde	5/434
3,414,914	10/1968	Gramins	5/82
3,482,571	12/1969	Behrendt	5/436
3,609,778	10/1971	Zeiner	5/82 R
3,650,523	3/1972	Darby, Jr.	128/134 X
3,707,734	1/1973	Matthews	5/82 R
3,737,923	6/1973	Trolo	5/82
3,889,668	6/1975	Ochs	5/82
4,034,748	7/1977	Winner	5/82 R X
4,034,748	7/1977	Winner	5/82 R
4,058,112	11/1977	Johnson	5/436
4,124,908	11/1978	Burns et al.	5/82 R
4,127,120	11/1978	Applegate	128/134

4,151,842	5/1979	Miller	5/82 R
4,218,792	8/1980	Kogan	5/436
4,473,912	10/1984	Scheidel	5/82 R
4,506,664	3/1985	Brault	5/82 R
4,655,206	4/1987	Moody	128/134

FOREIGN PATENT DOCUMENTS

888455	12/1971	Canada	5/82 R
2003745	8/1971	Fed. Rep. of Germany	5/436
2253330	5/1974	Fed. Rep. of Germany	5/436
2409326	9/1975	Fed. Rep. of Germany	5/436
268	of 1892	United Kingdom	5/82 R
436549	10/1935	United Kingdom	5/82
1031814	6/1966	United Kingdom	5/82 R

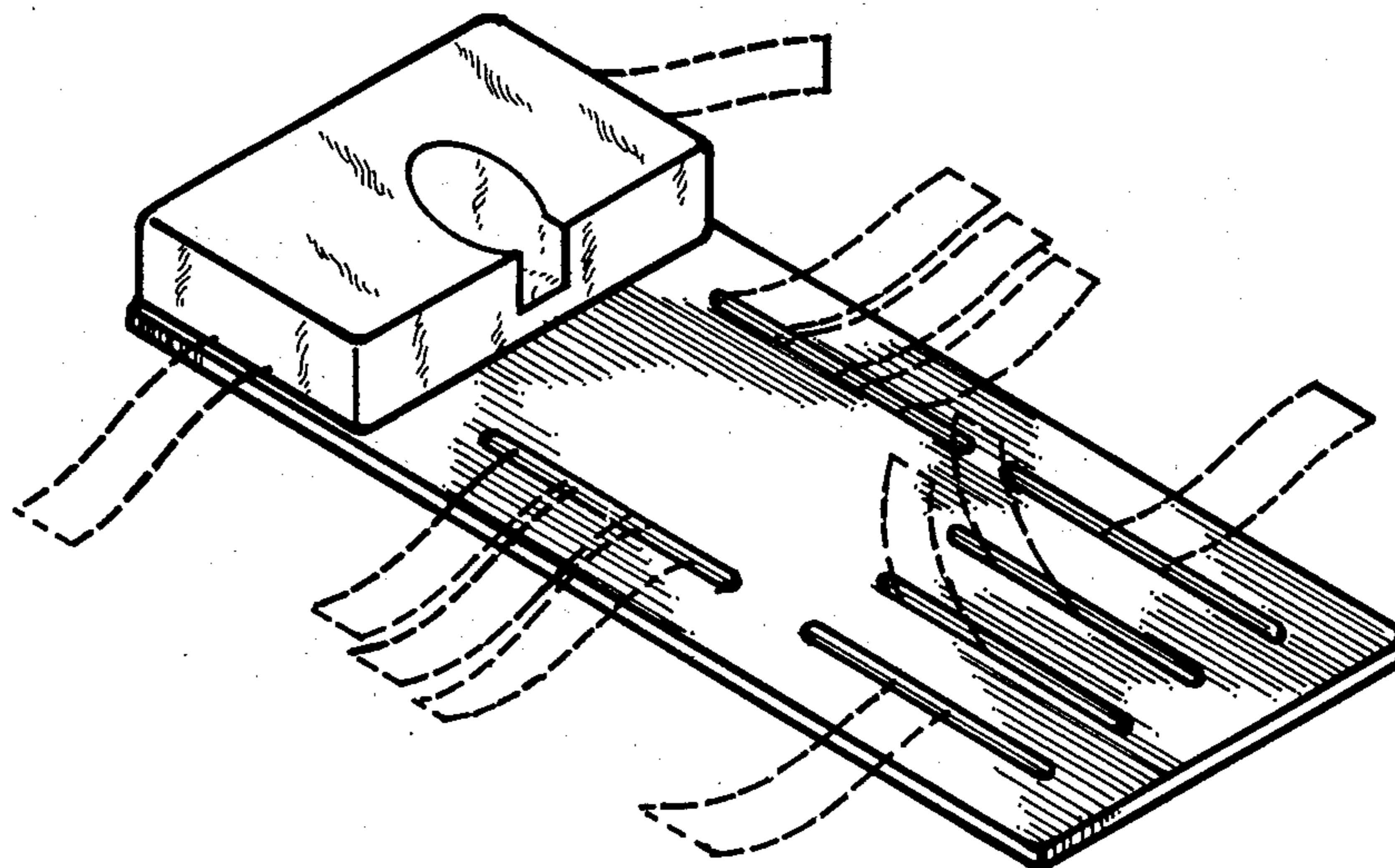
Primary Examiner—A. Hugo Word
Assistant Examiner—Stella M. Reid
Attorney, Agent, or Firm—Richard P. Crowley

[57] **CLAIM**

The ornamental design for a pediatric trauma board, as shown and described.

DESCRIPTION

FIG. 1 is a top perspective view of a pediatric trauma board showing my new design, the broken line showing of the straps being for illustrative purposes only and forming no part of the claimed design;
 FIG. 2 is a top plan view thereof;
 FIG. 3 is a side elevational view thereof;
 FIG. 4 is an end elevational view thereof; and
 FIG. 5 is a bottom plan view thereof.



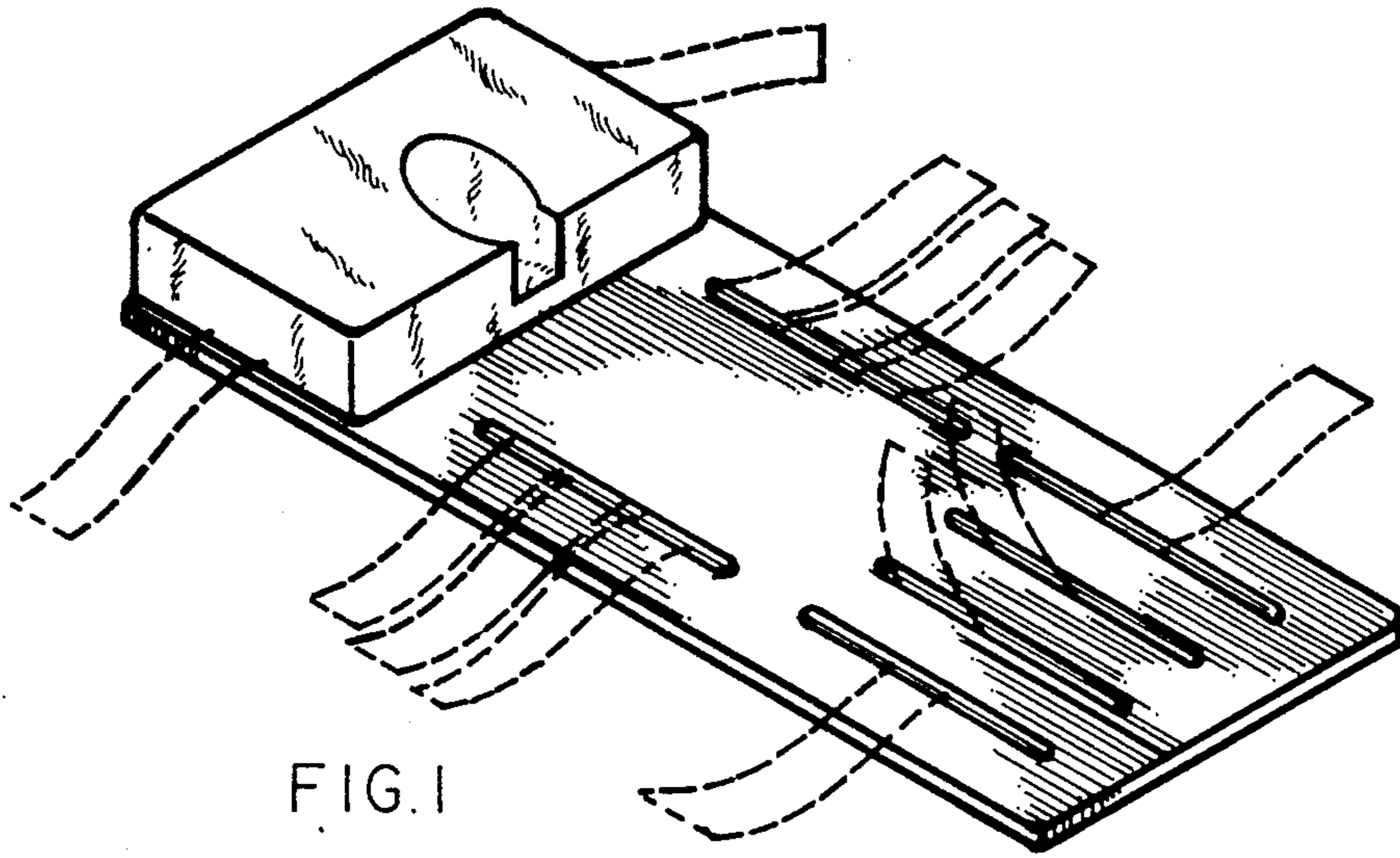


FIG. 1

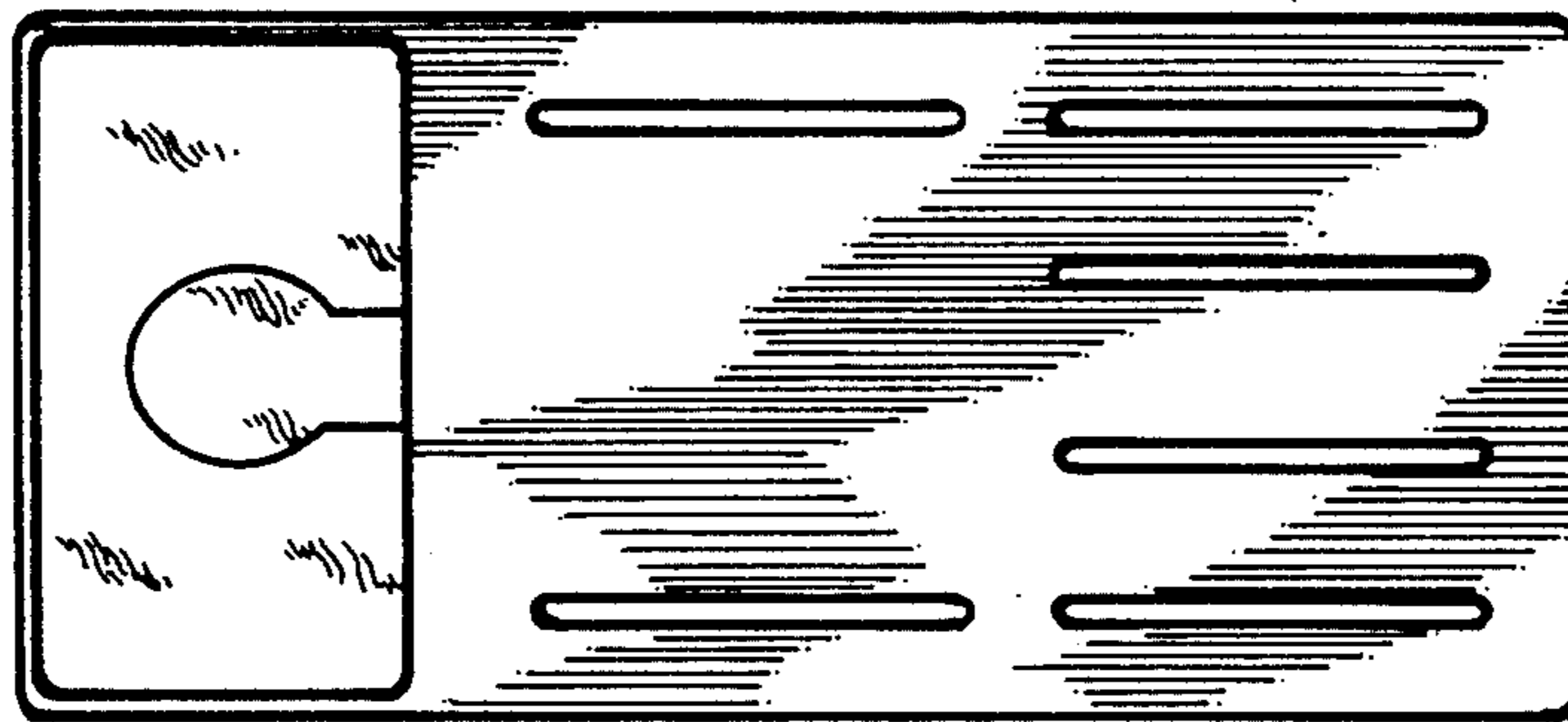


FIG. 2



FIG. 3



FIG. 4



FIG. 5