

[54] LAVATORY

[75] Inventor: Paul P. Kolada, Columbus, Ohio

[73] Assignee: Kohler Co., Kohler, Wis.

[\*\*] Term: 14 Years

[21] Appl. No.: 790,025

[22] Filed: Oct. 22, 1985

[52] U.S. Cl. .... D23/294

[58] Field of Search ..... D23/58-64;  
4/619, 631, 638-642, 646, 656

[56] References Cited

U.S. PATENT DOCUMENTS

D. 187,635	4/1960	Dreyfuss	.....	D23/58
D. 188,931	10/1960	Ament	.....	D23/58
D. 201,344	6/1965	Stairs, Jr.	.....	D23/58
D. 202,410	9/1965	Sundberg et al.	.....	D23/58
D. 202,411	9/1965	Niemann	.....	D23/58
D. 217,968	7/1970	Armstrong	.....	D23/58
D. 258,079	1/1981	Primault	.....	D23/61
D. 258,906	4/1981	Doman	.....	D23/61
D. 264,749	6/1982	Bengtson	.....	D23/61
D. 266,577	10/1982	Kaiser	.....	D23/61
D. 274,164	6/1984	Enthoven	.....	D23/61

OTHER PUBLICATIONS

Exhibits 2a, 2b and 2c, pp. 44, 45 and 46 of Kohler Co. K-300 catalog, dated 1981, published by Kohler Co., Kohler, WI.

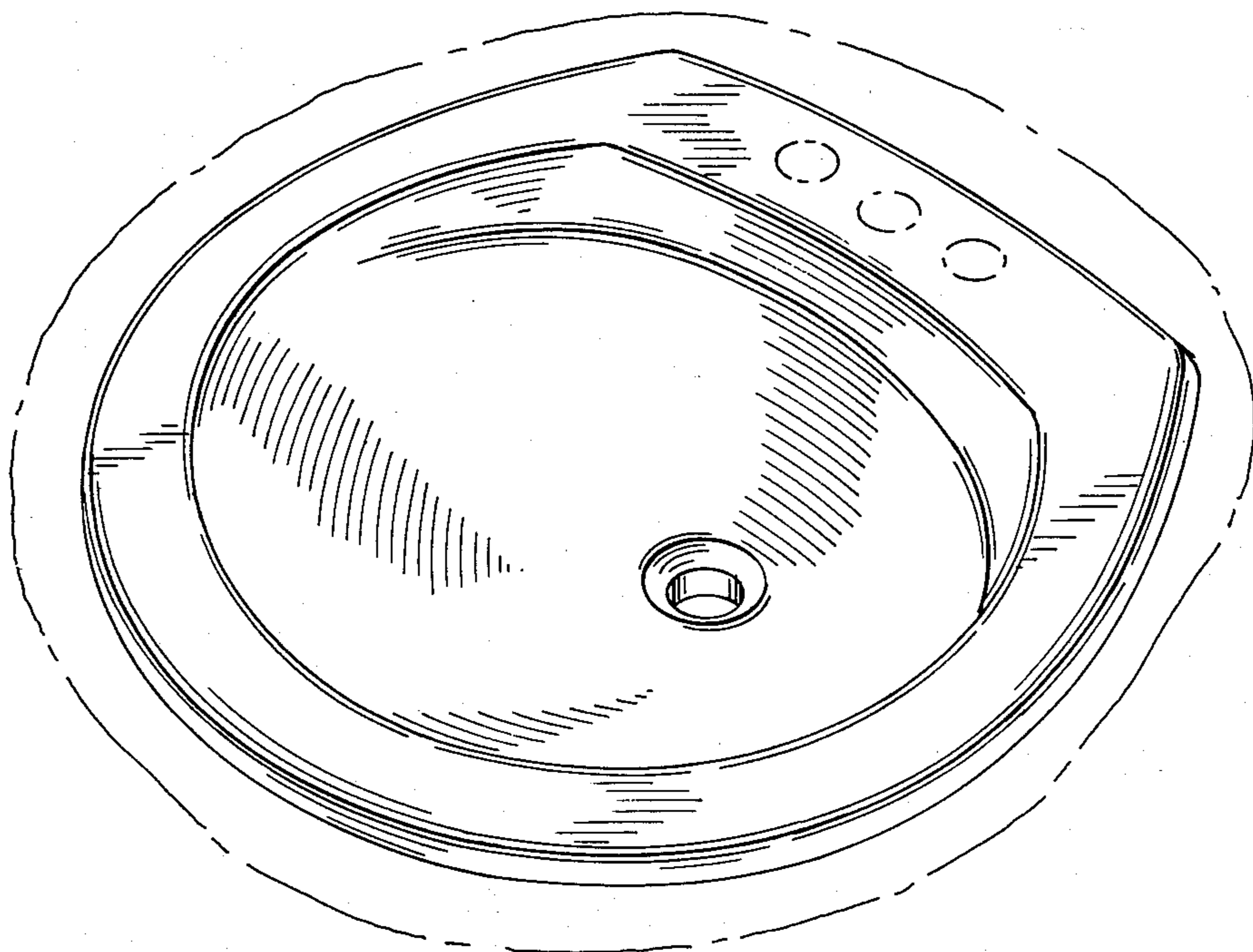
Primary Examiner—James R. Largen  
Attorney, Agent, or Firm—Quarles & Brady

[57] CLAIM

The ornamental design for a lavatory, as shown and described.

DESCRIPTION

FIG. 1 is a top perspective view of a lavatory showing my new design;  
 FIG. 2 is a top plan view thereof;  
 FIG. 3 is a right side elevational view thereof, the left side being the mirror image of the right side;  
 FIG. 4 is a front elevational view thereof,  
 FIG. 5 is a rear elevational view thereof;  
 FIG. 6 is a cross-sectional view taken along line 6—6 of FIG. 2;  
 FIG. 7 is a cross-sectional view taken along line 7—7 of FIG. 2;  
 FIG. 8 is a top perspective view of a second embodiment of a lavatory shown in FIG. 1;  
 FIG. 9 is a top plan view of FIG. 8;  
 FIG. 10 is a right side elevational view of FIG. 8, the left side being the mirror image of the right side;  
 FIG. 11 is a front elevational view of FIG. 8;  
 FIG. 12 is a rear elevational view of FIG. 8;  
 FIG. 13 is a cross-sectional view taken along line 13—13 of FIG. 9; and  
 FIG. 14 is a cross-sectional view taken along line 14—14 of FIG. 9.  
 The broken line representations of holes in FIGS. 1, 2, 8 and 9 are for purposes of illustration only.



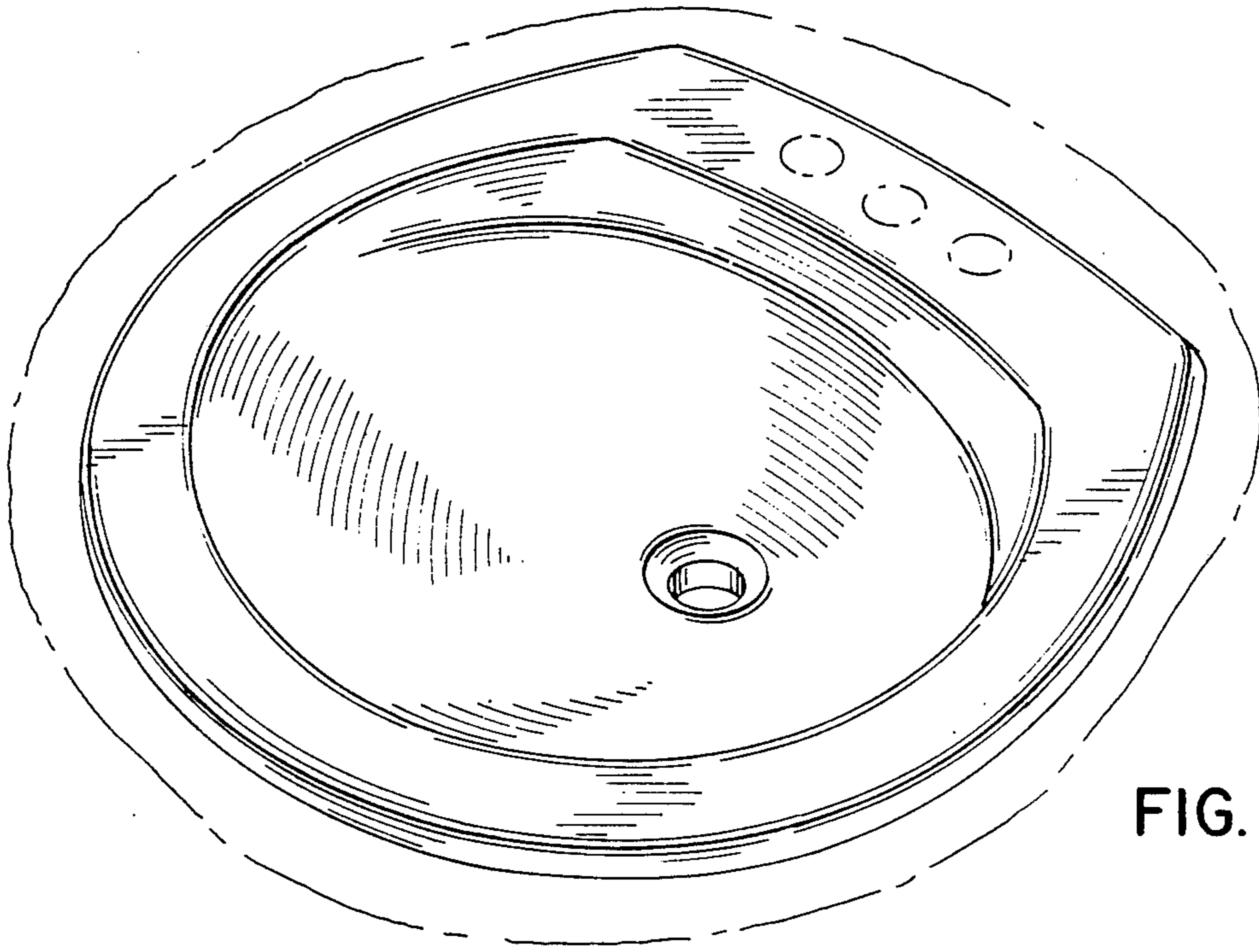


FIG. 1

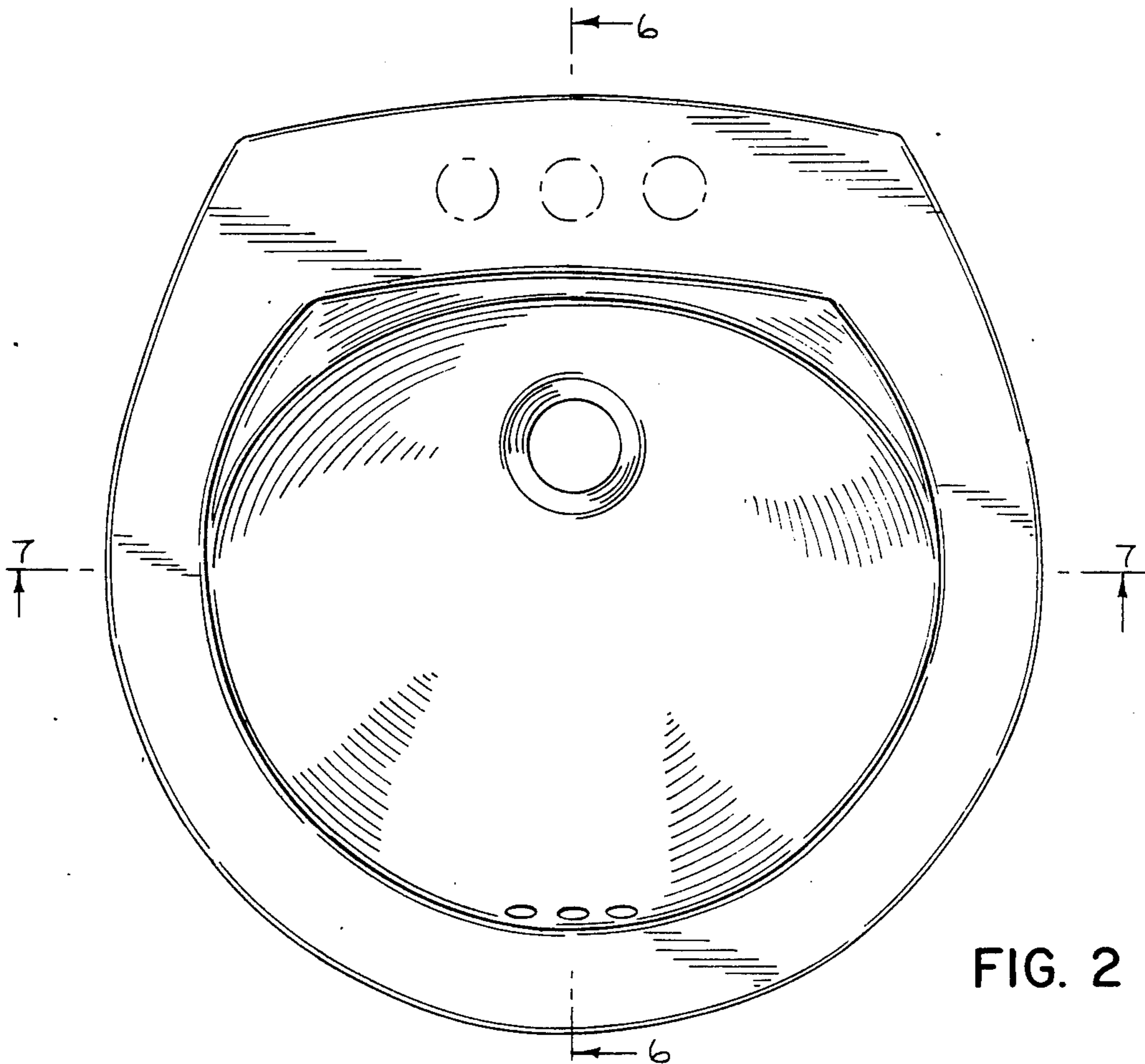


FIG. 2

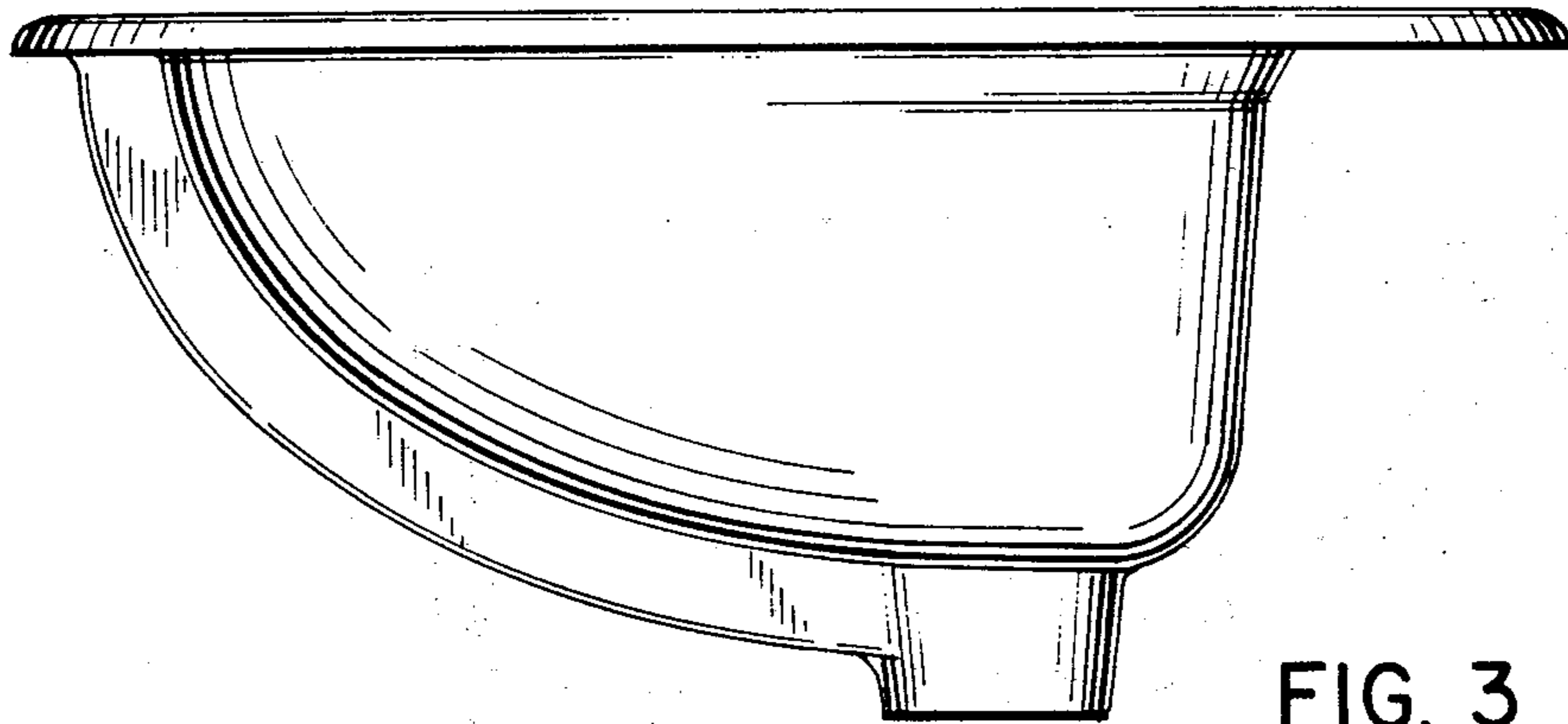


FIG. 3

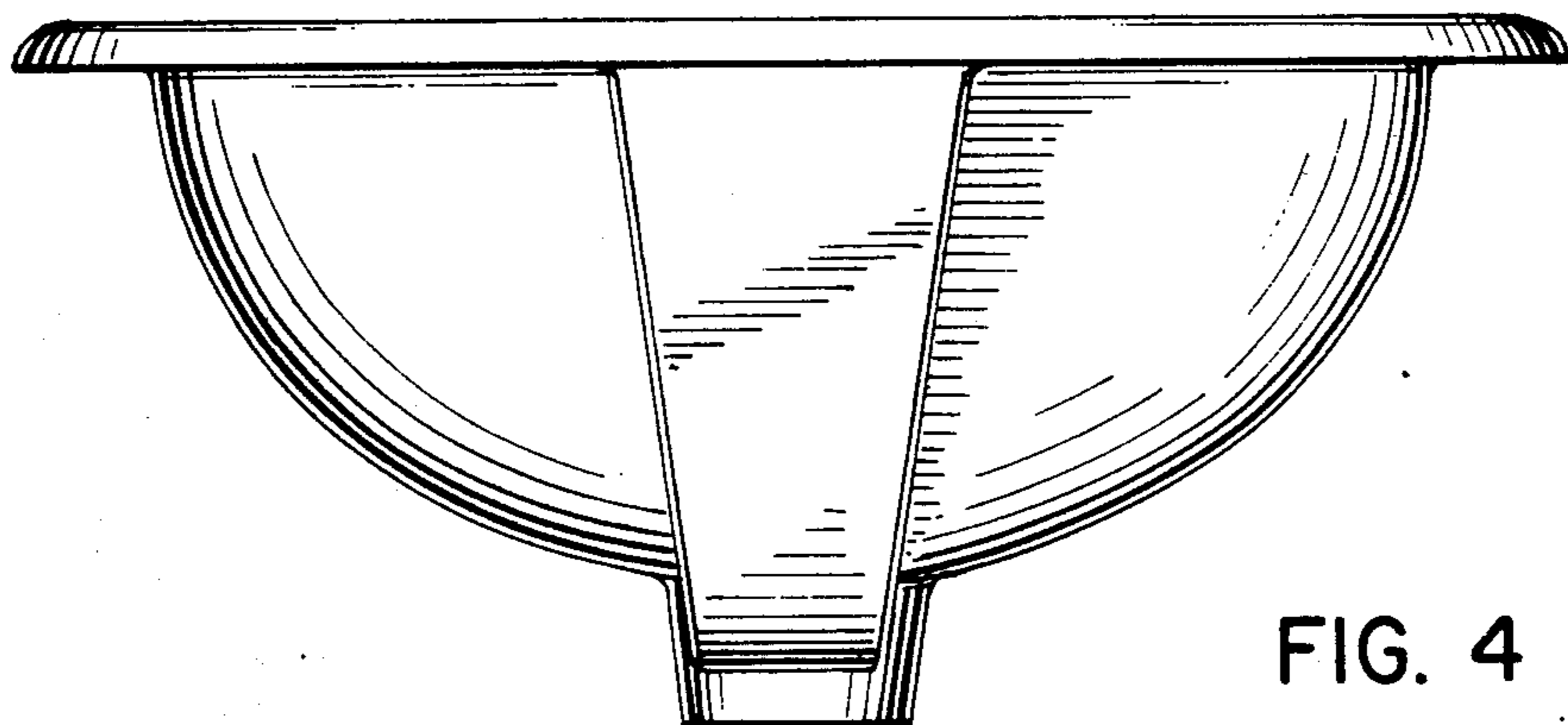


FIG. 4

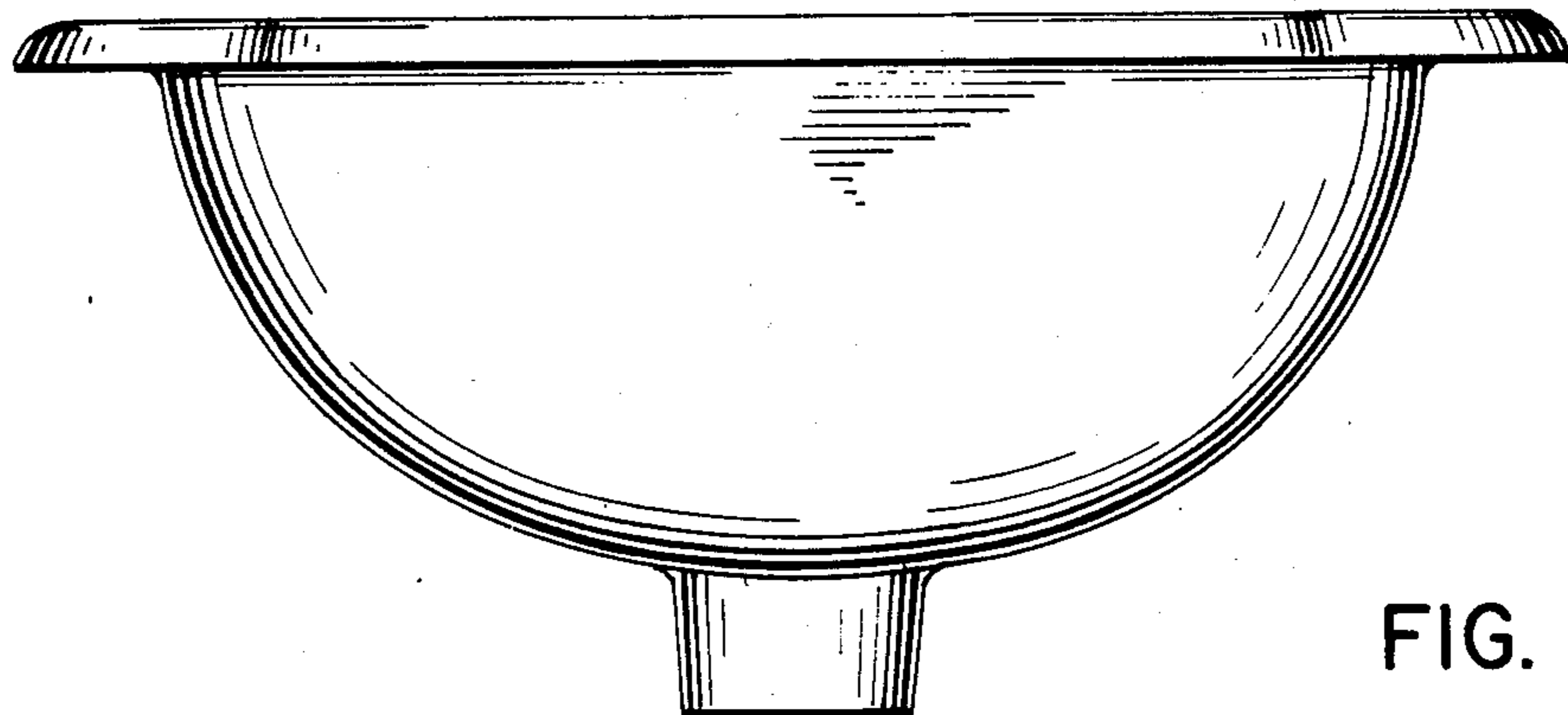


FIG. 5

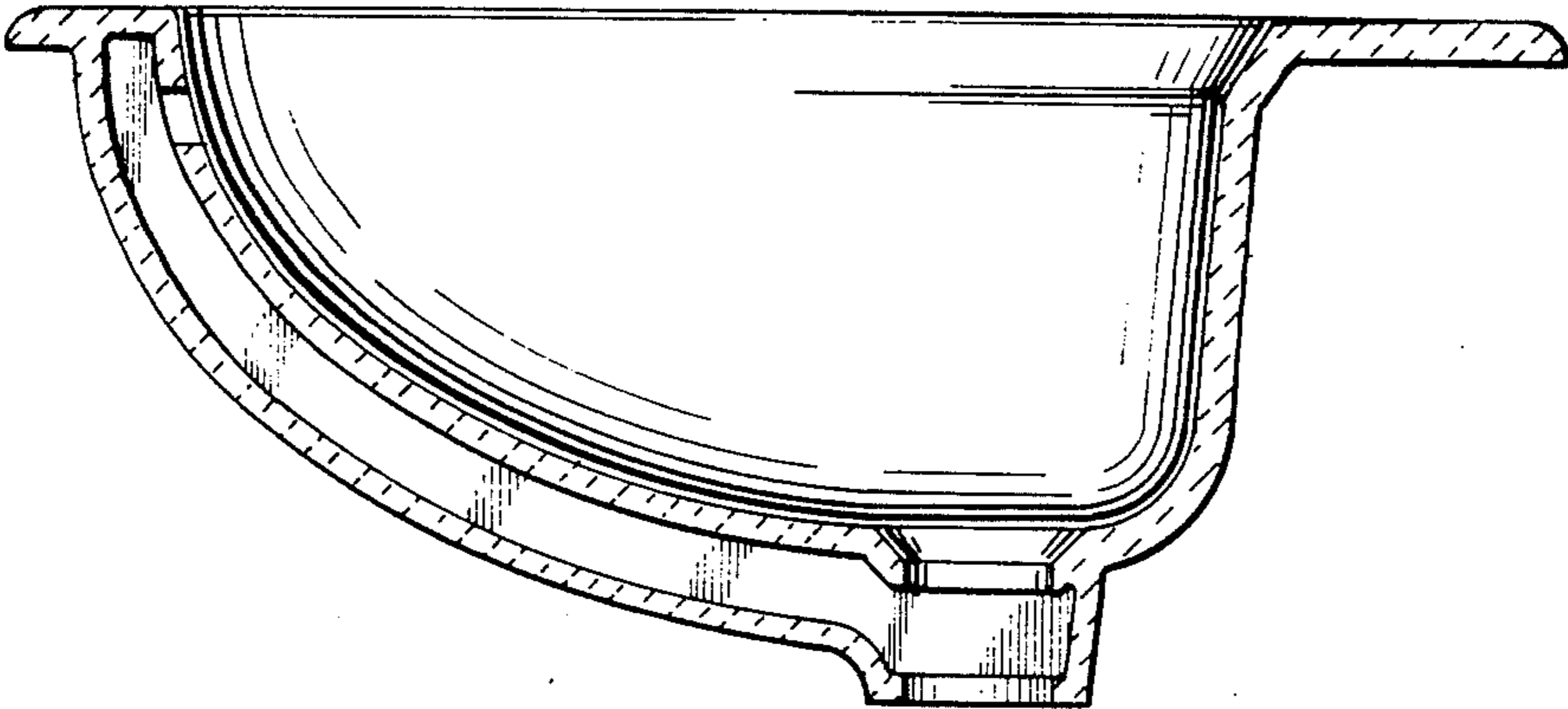


FIG. 6

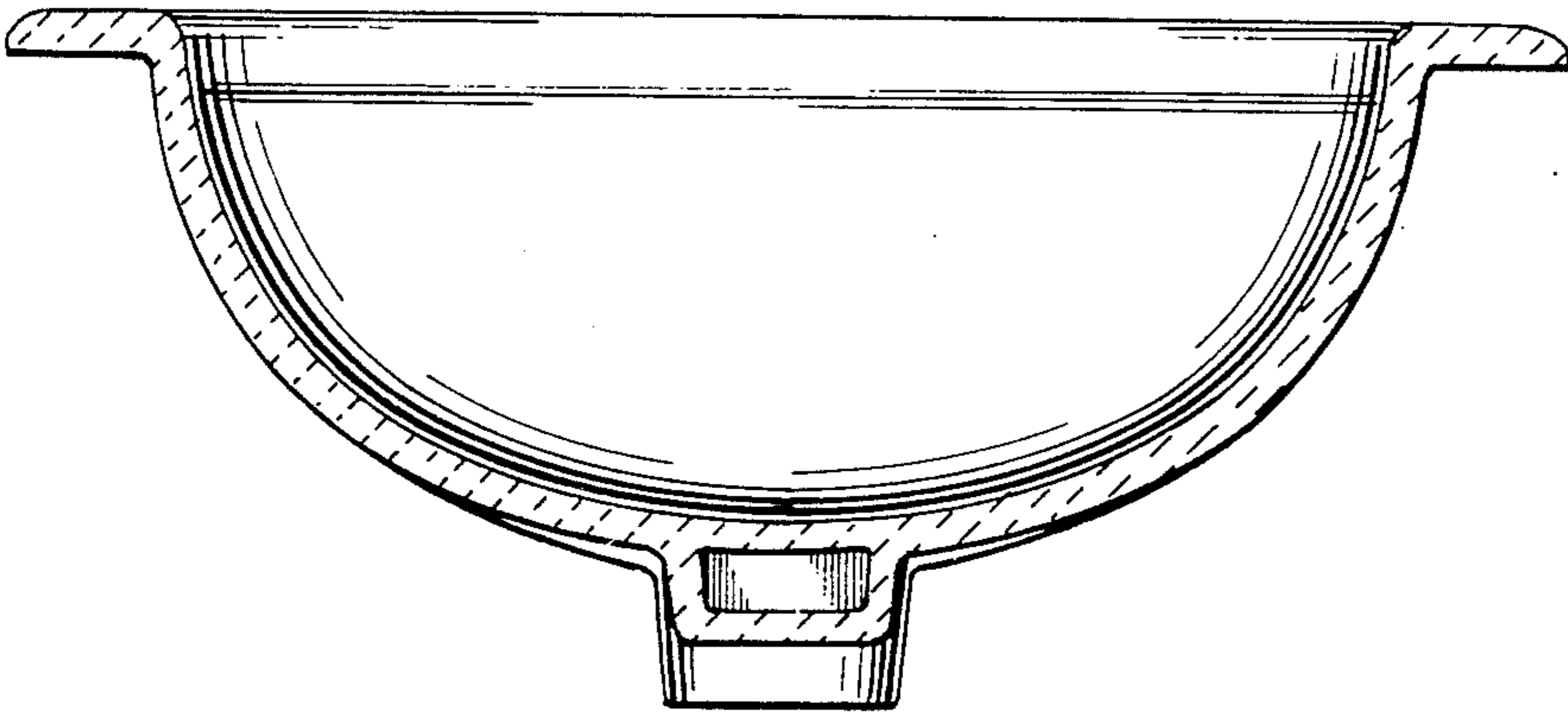


FIG. 7

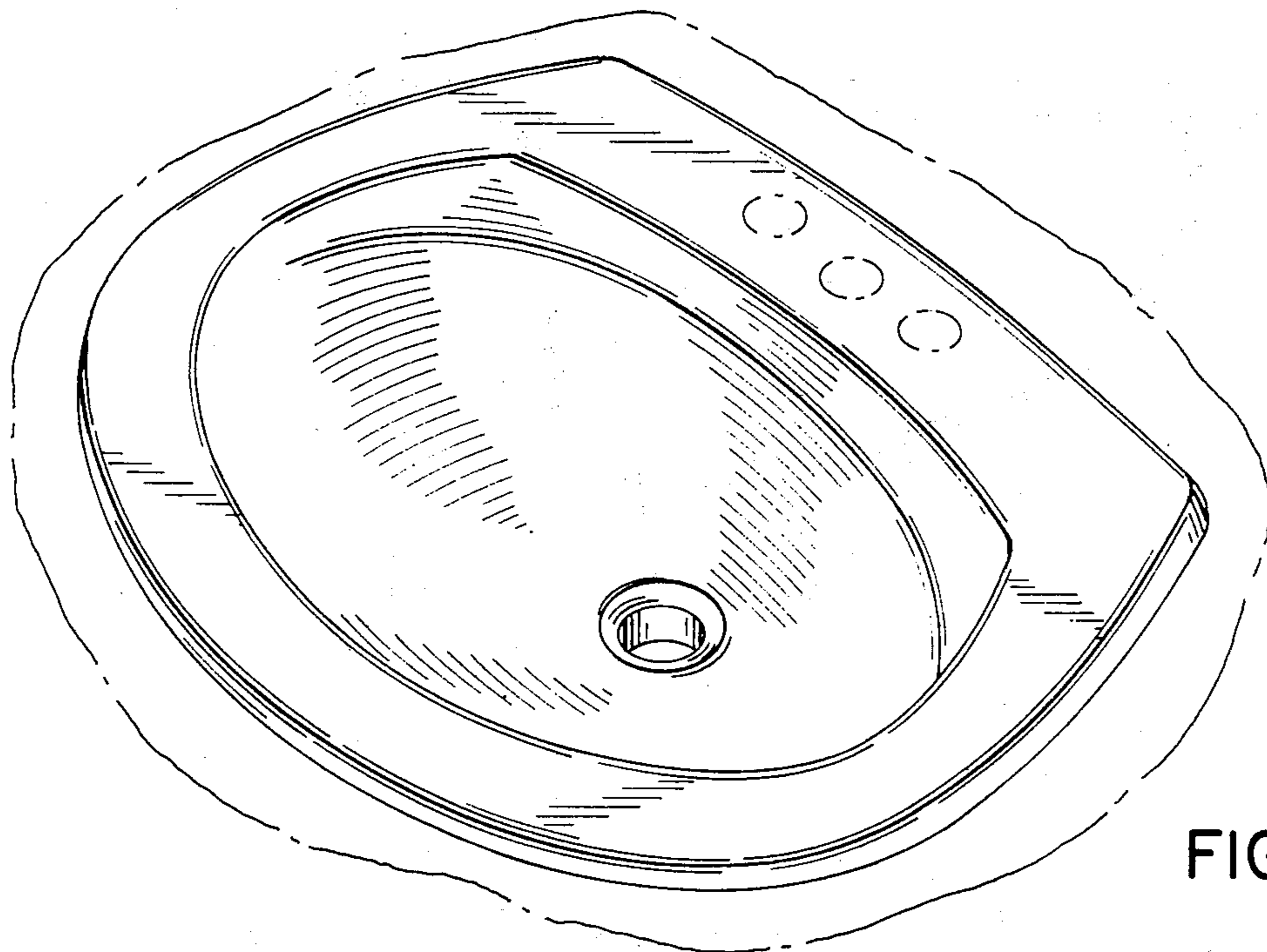


FIG. 8

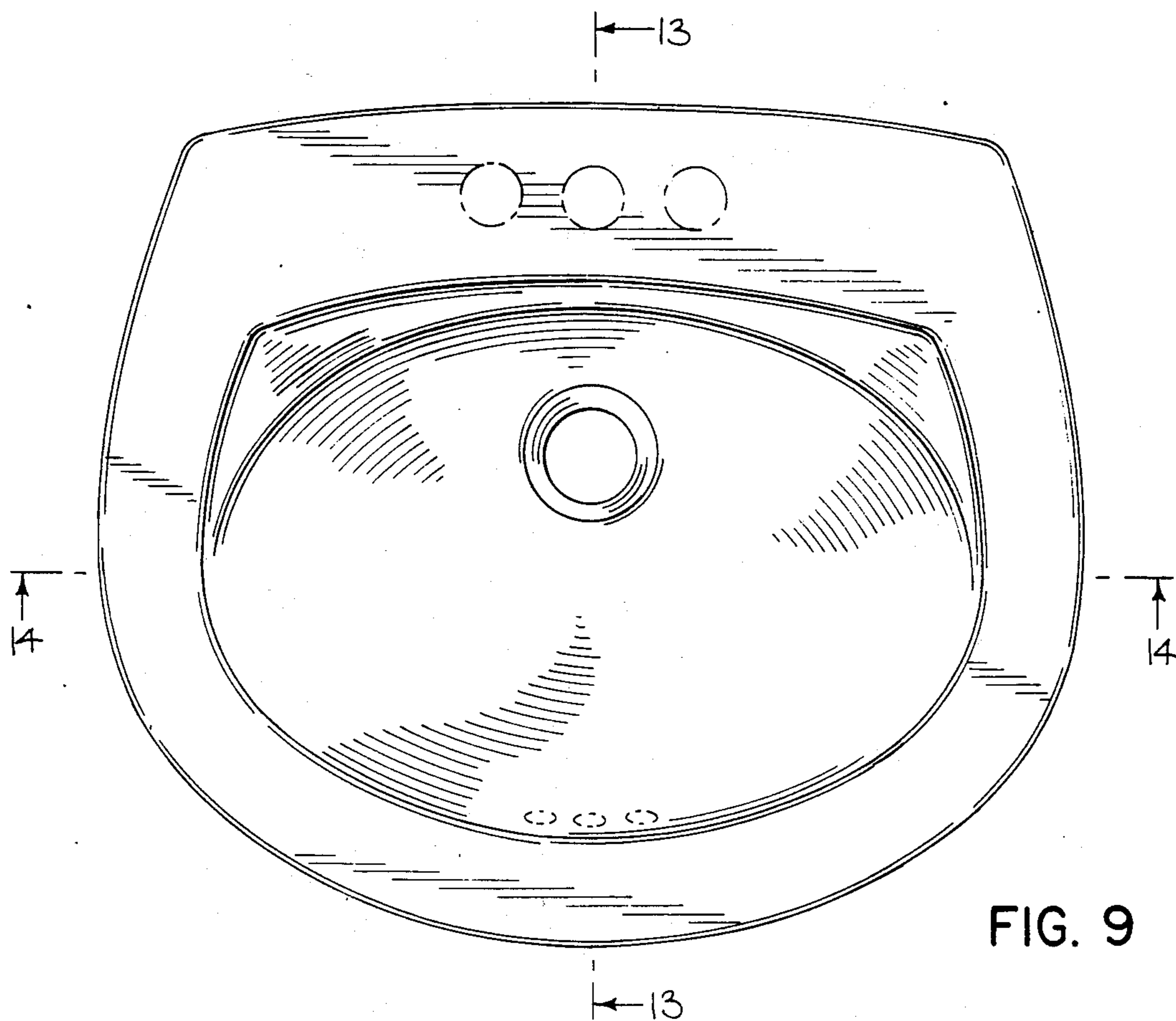


FIG. 9

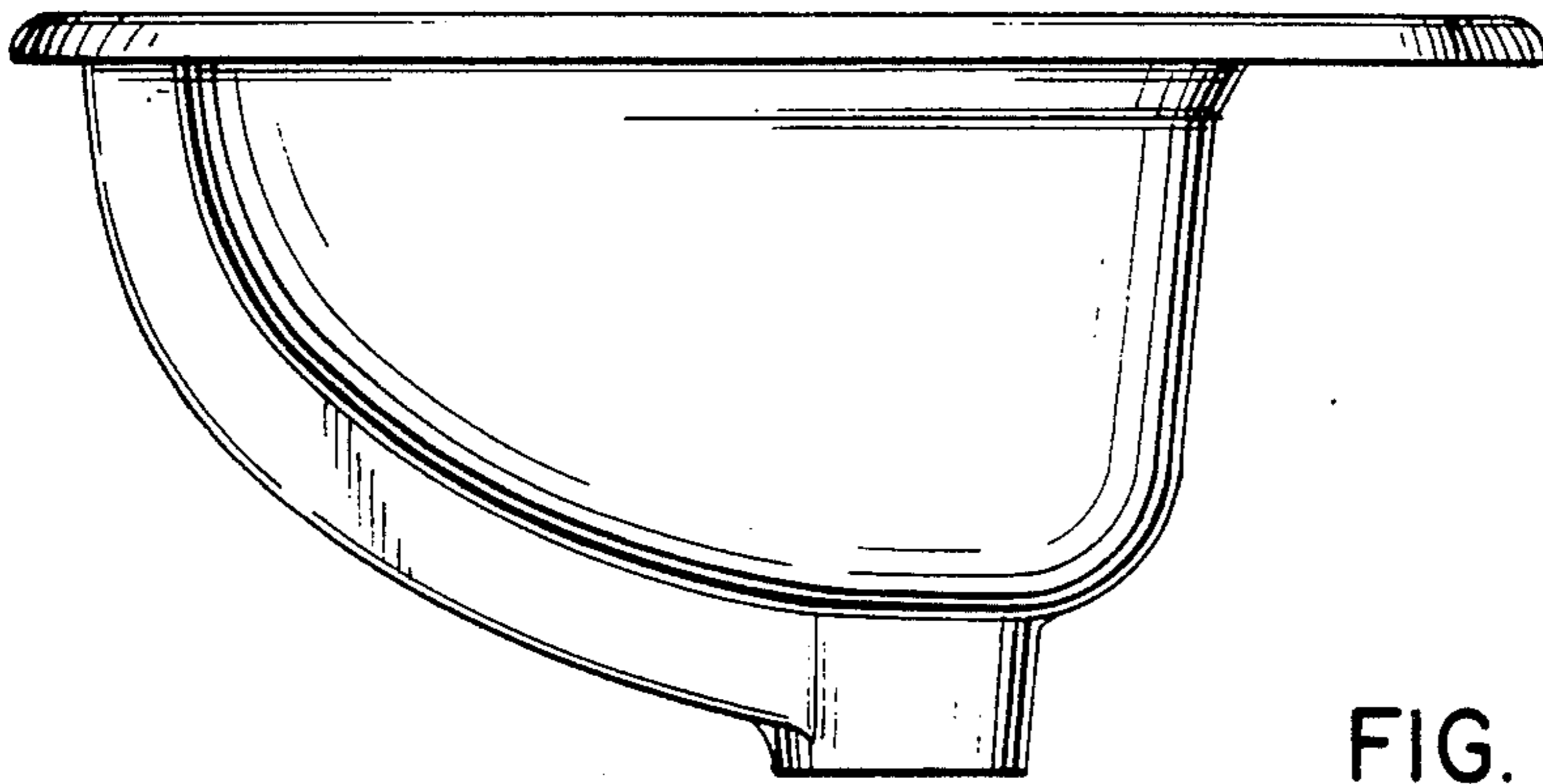


FIG. 10

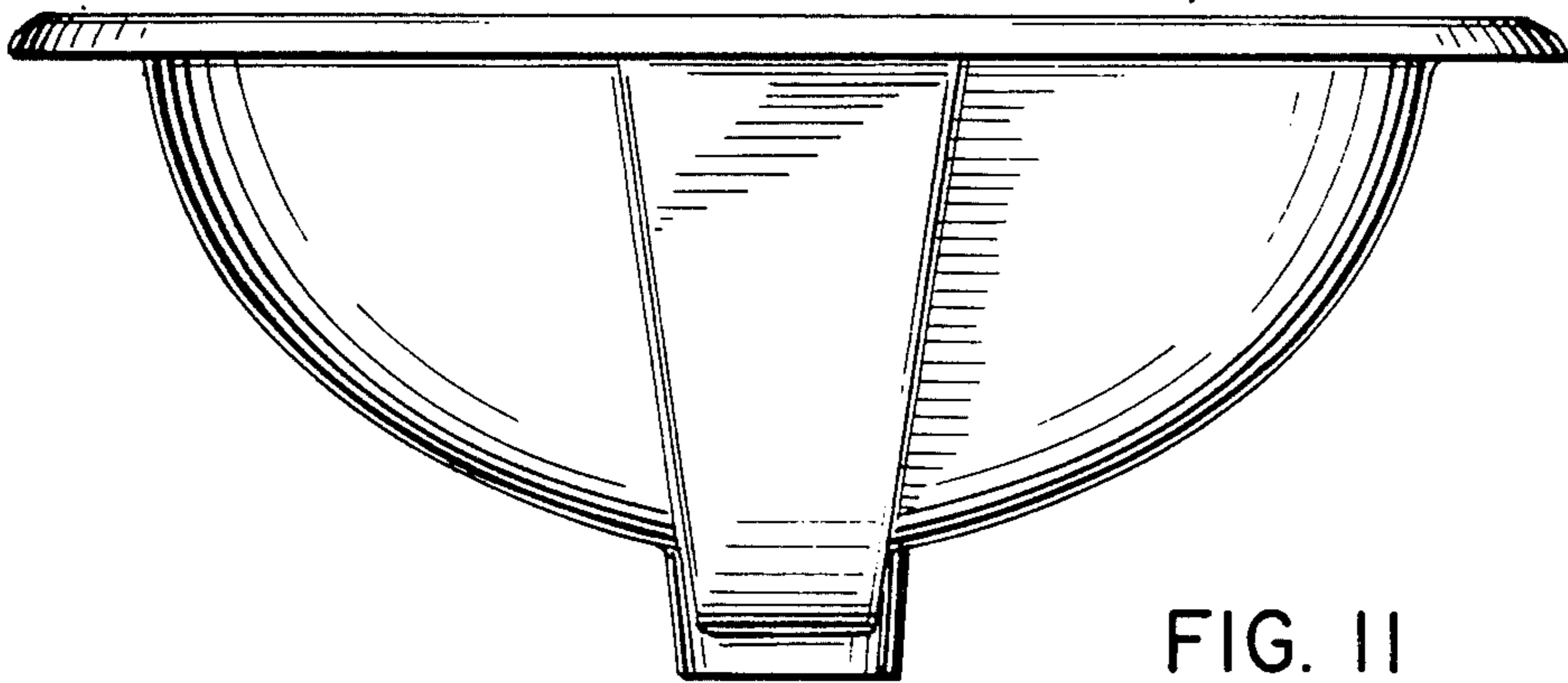


FIG. 11

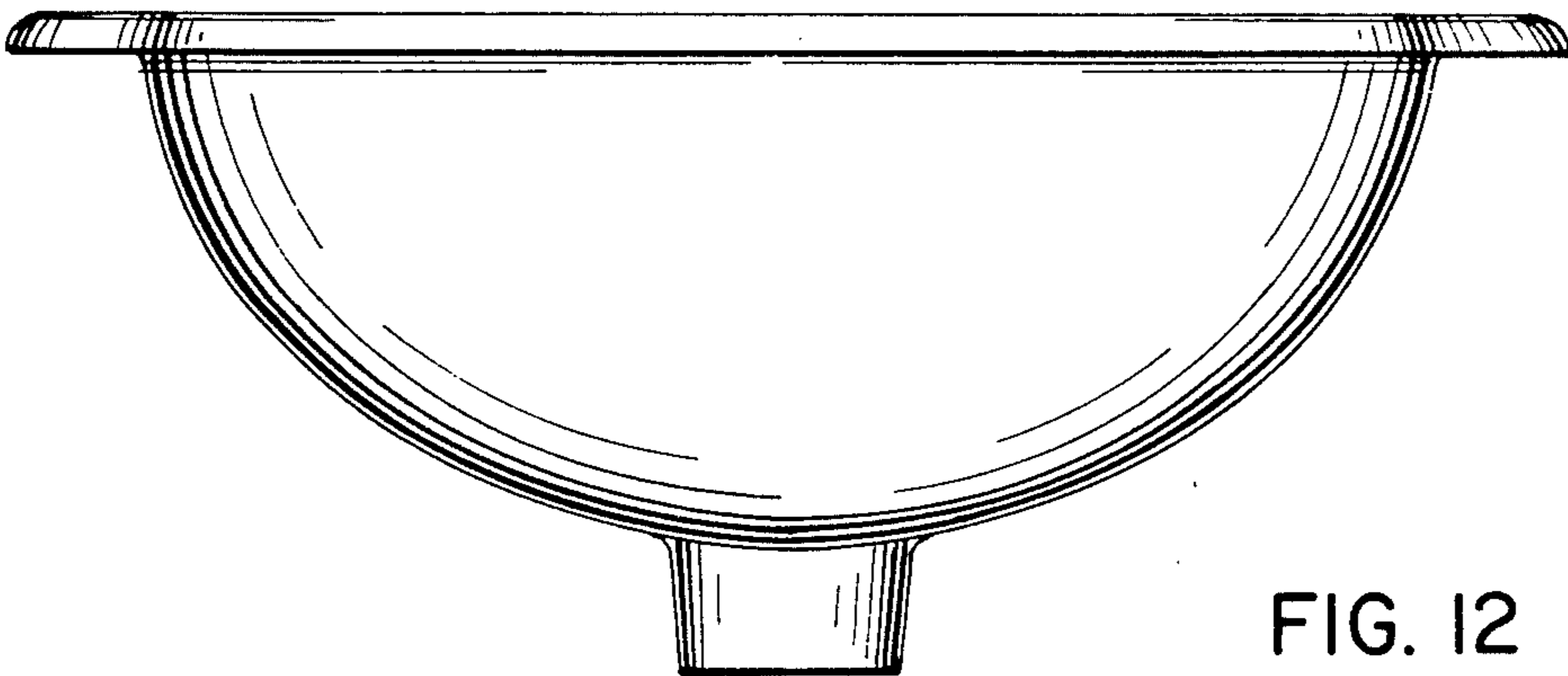


FIG. 12

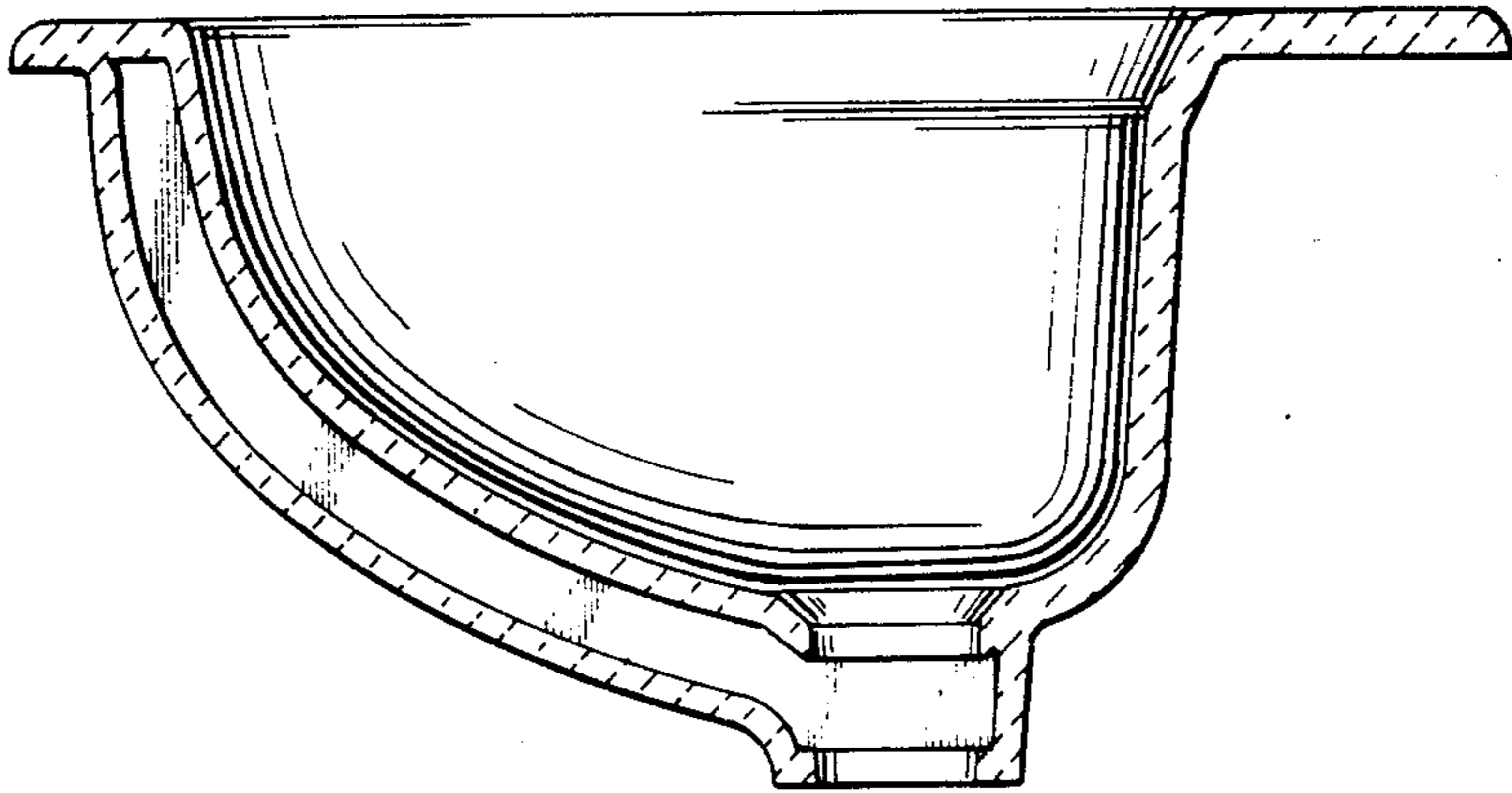


FIG. 13

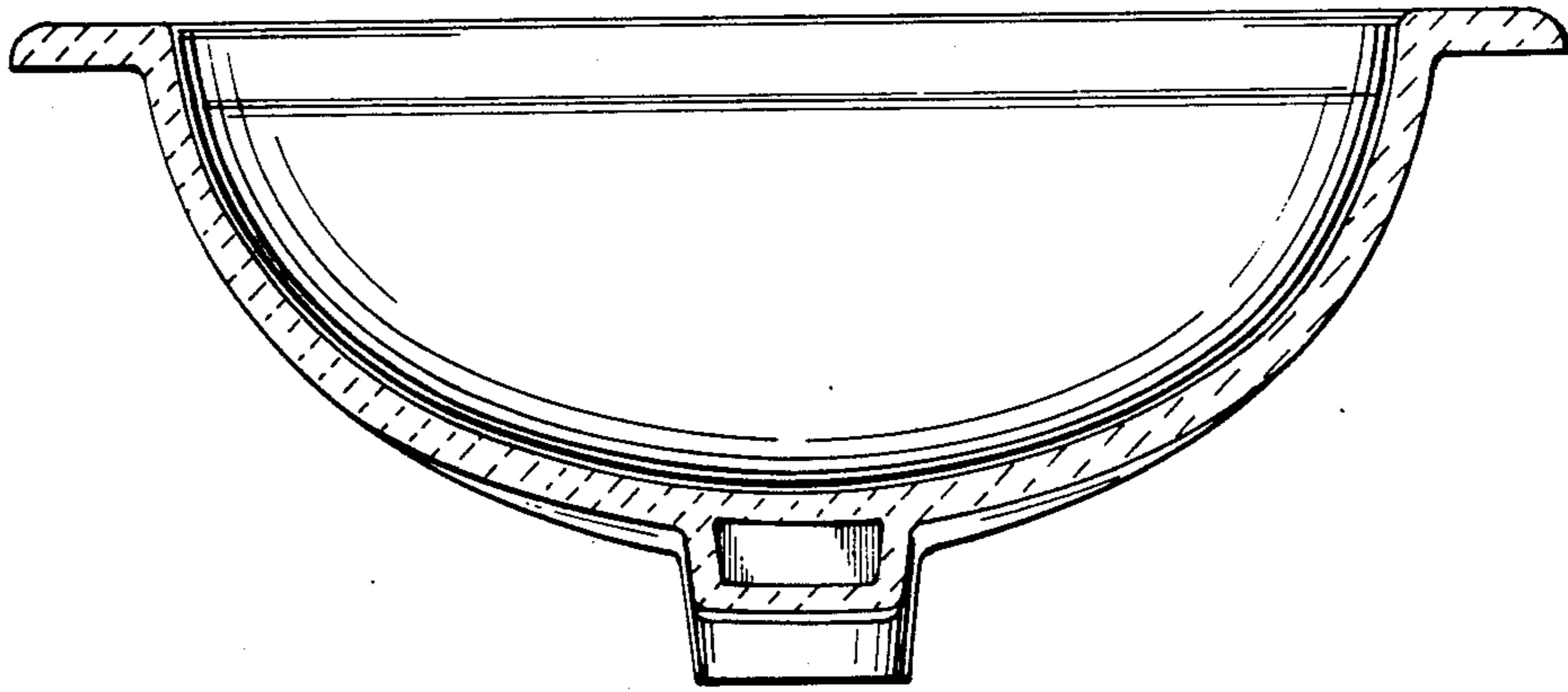


FIG. 14

UNITED STATES PATENT AND TRADEMARK OFFICE  
**CERTIFICATE OF CORRECTION**

PATENT NO. : Des. 292,609  
DATED : November 3, 1987  
INVENTOR(S) : Kolada, Paul P.

It is certified that error appears in the above-identified patent and that said Letters Patent is hereby corrected as shown below:

In the DESCRIPTION:

Change "Fig. 12 is a cross-sectional view taken along line 14-14 of Fig. 9." to -- Fig. 14 is a cross-sectional view taken along line 14-14 of Fig. 9.--

**Signed and Sealed this  
Twenty-ninth Day of March, 1988**

*Attest:*

*Attesting Officer*

DONALD J. QUIGG

*Commissioner of Patents and Trademarks*