

[54] FAUCET HANDLE

[75] Inventor: Jesus Gomez, 10 de Julio de 1985, Cuatro Ciénegas 2219, Linares, Mexico

[73] Assignee: Fabricas Orion, S.A., Mexico

[**] Term: 14 Years

[21] Appl. No.: 766,974

[22] Filed: Aug. 19, 1987

[52] U.S. Cl. D23/254

[58] Field of Search D23/23-32; D8/307-312; 16/121

[56] References Cited

U.S. PATENT DOCUMENTS

- D. 44,935 11/1913 Peterson D8/311
- D. 187,847 5/1960 Kohler D23/28
- D. 187,849 5/1960 Kohler D23/28
- D. 207,986 6/1967 Smalley D23/28
- D. 227,566 7/1973 Thorp D23/28

- D. 237,613 11/1975 Saporito et al. D23/25
- D. 268,358 3/1983 Saporito et al. D23/28
- D. 276,064 10/1983 Stairs, Jr. D23/28
- D. 276,744 12/1984 Hill et al. D23/28
- D. 276,745 12/1984 Hill et al. D23/28

OTHER PUBLICATIONS

Domestic Engineering, Aug. 1960, p. 122, bottom left handle.

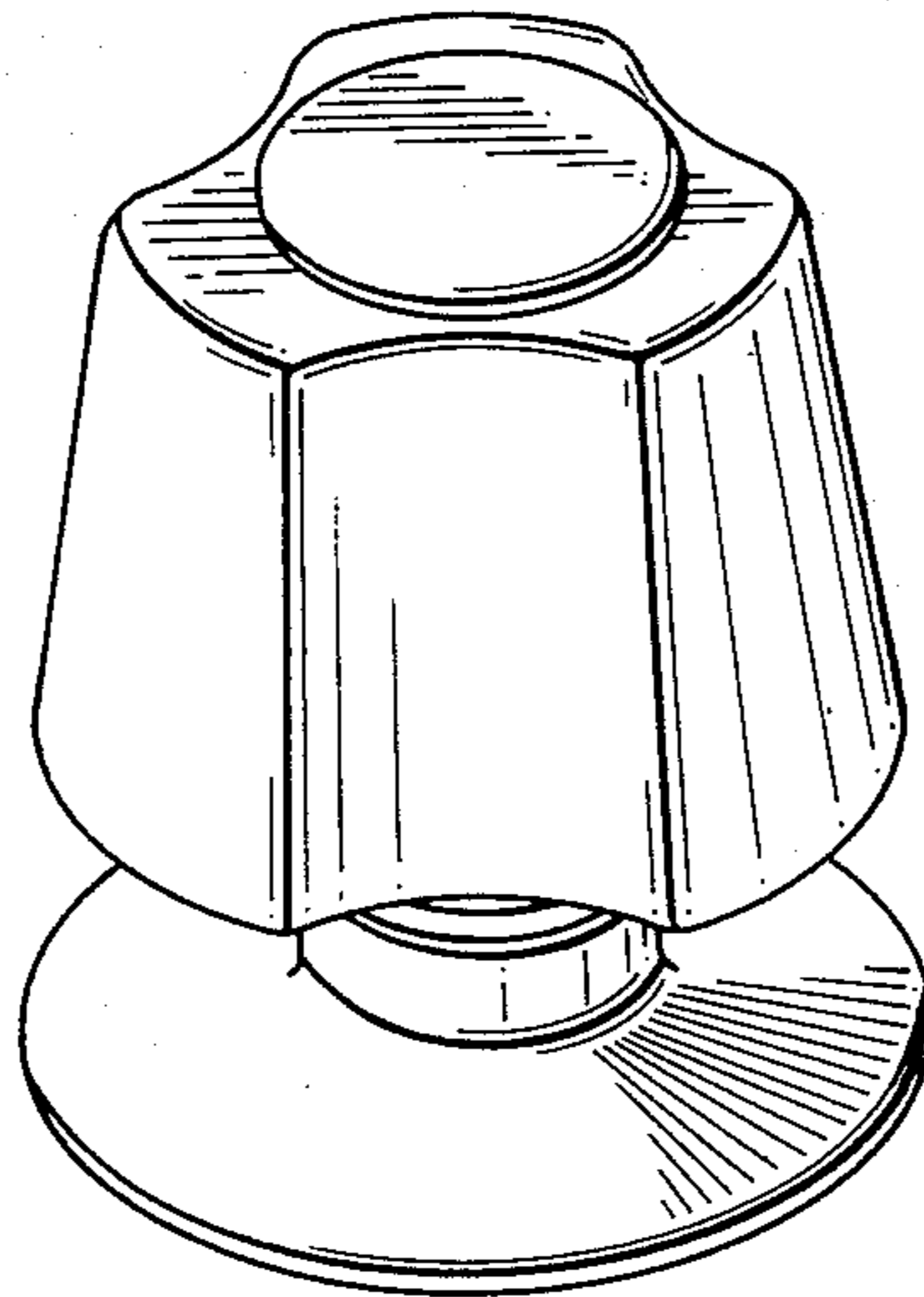
Primary Examiner—James R. Largen
Attorney, Agent, or Firm—Pravel, Gambrell, Hewitt, Kimball & Krieger

[57] CLAIM

The ornamental design for faucet handle, as shown.

DESCRIPTION

FIG. 1 is a top perspective view of a faucet handle showing my new design;
FIG. 2 is a bottom perspective view thereof;
FIG. 3 is a plan view thereof;
FIG. 4 is an elevational view thereof; and
FIG. 5 is a bottom view thereof.



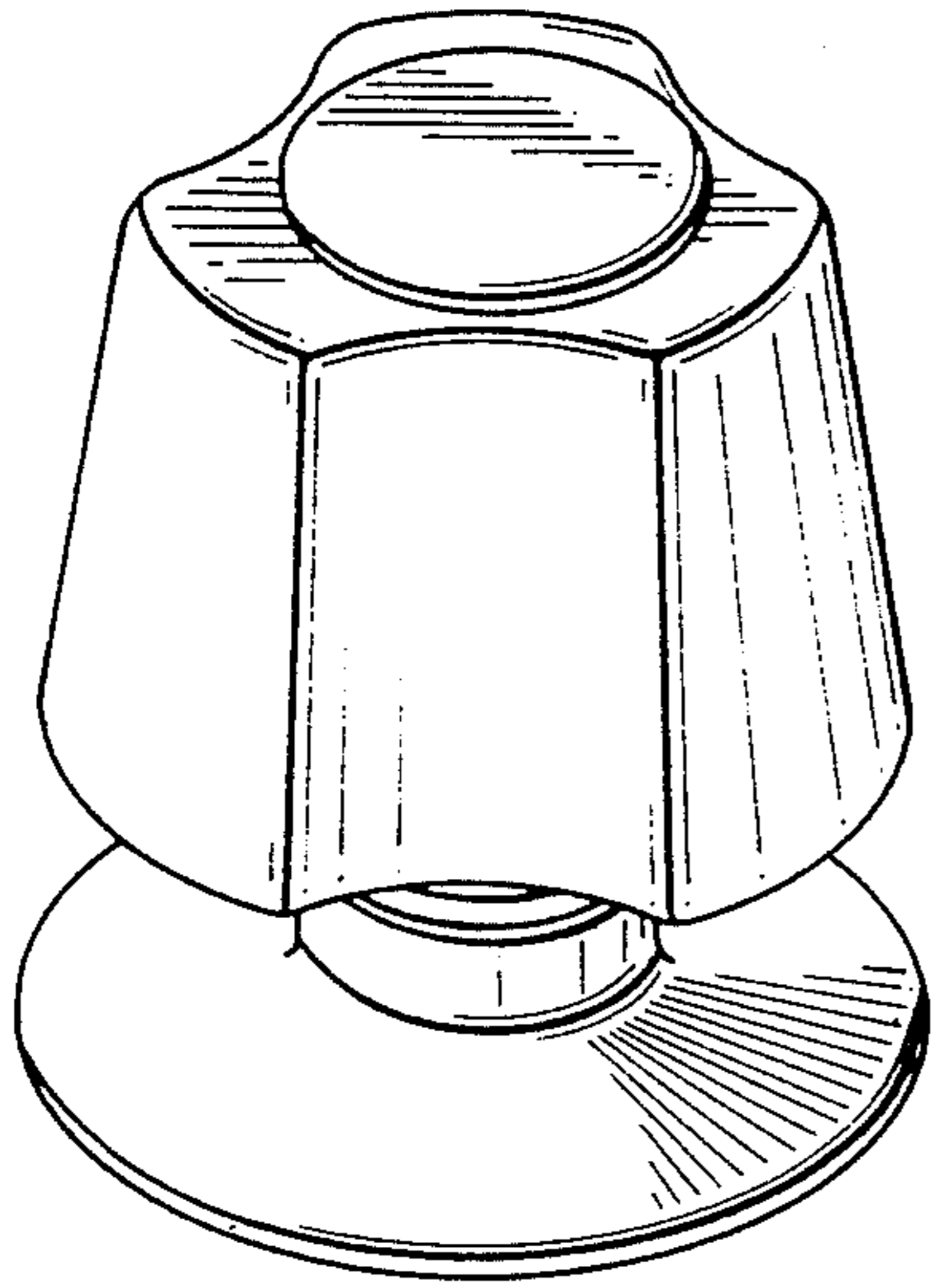


FIG. 1

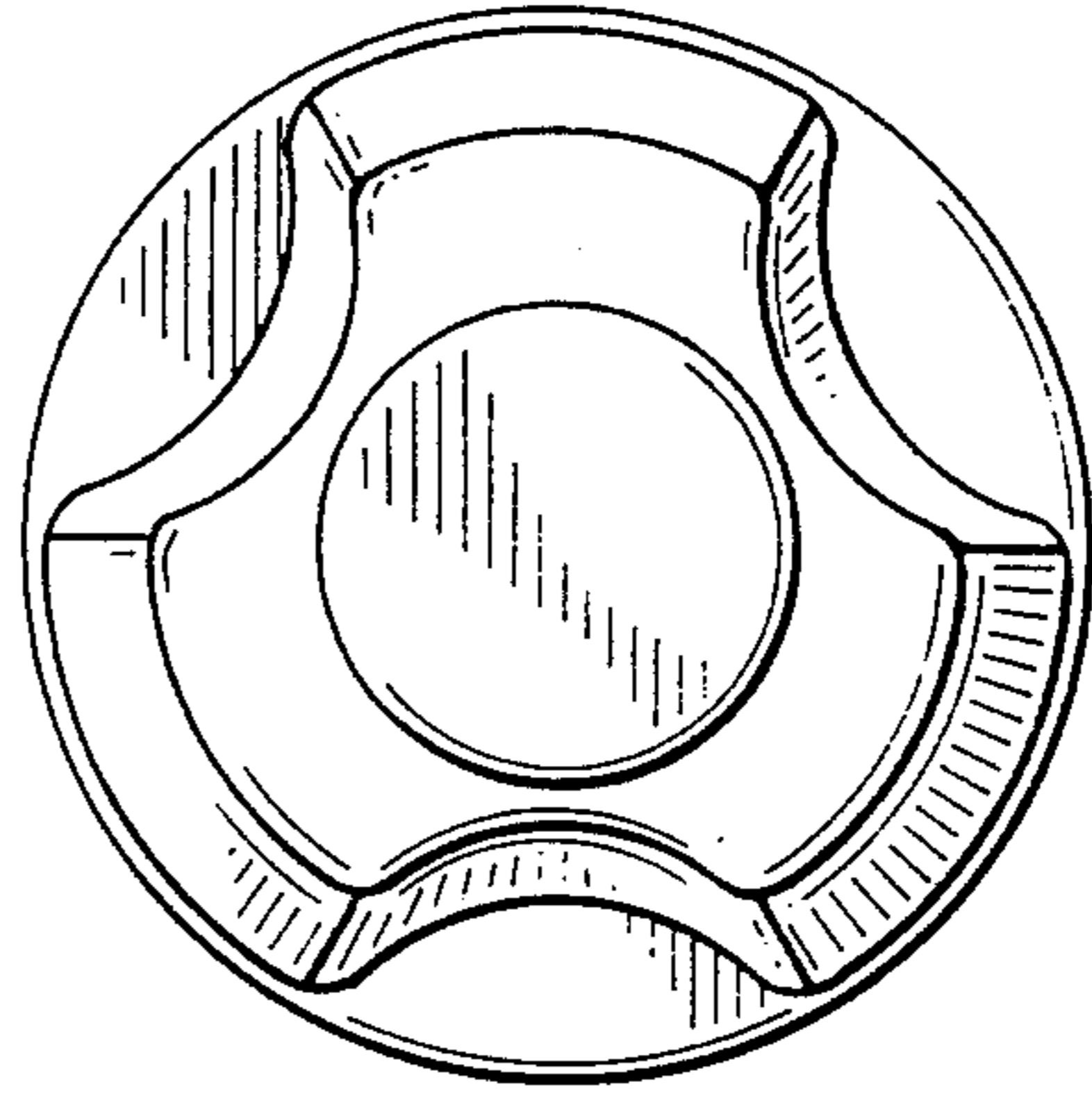


FIG. 3

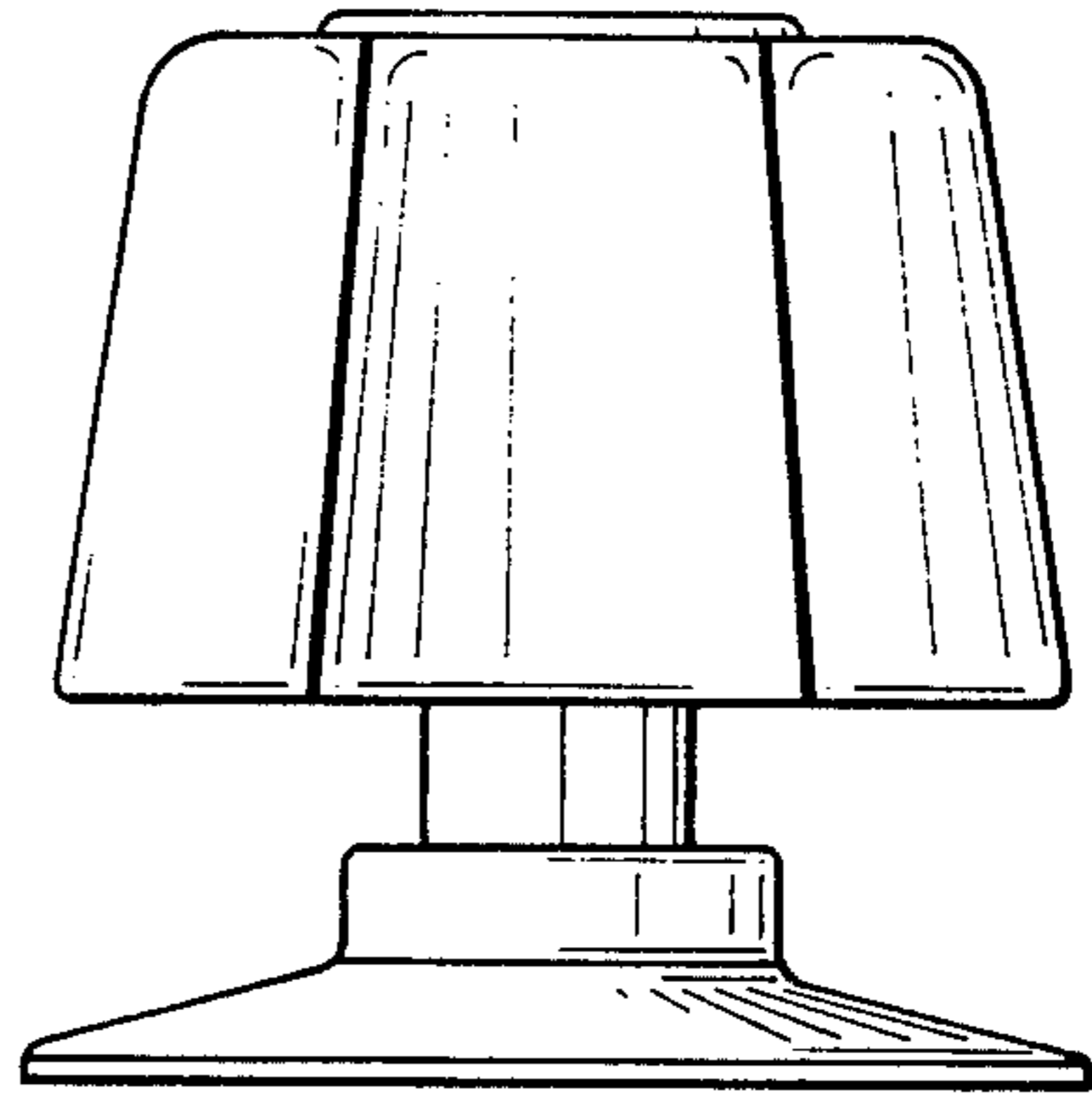


FIG. 4

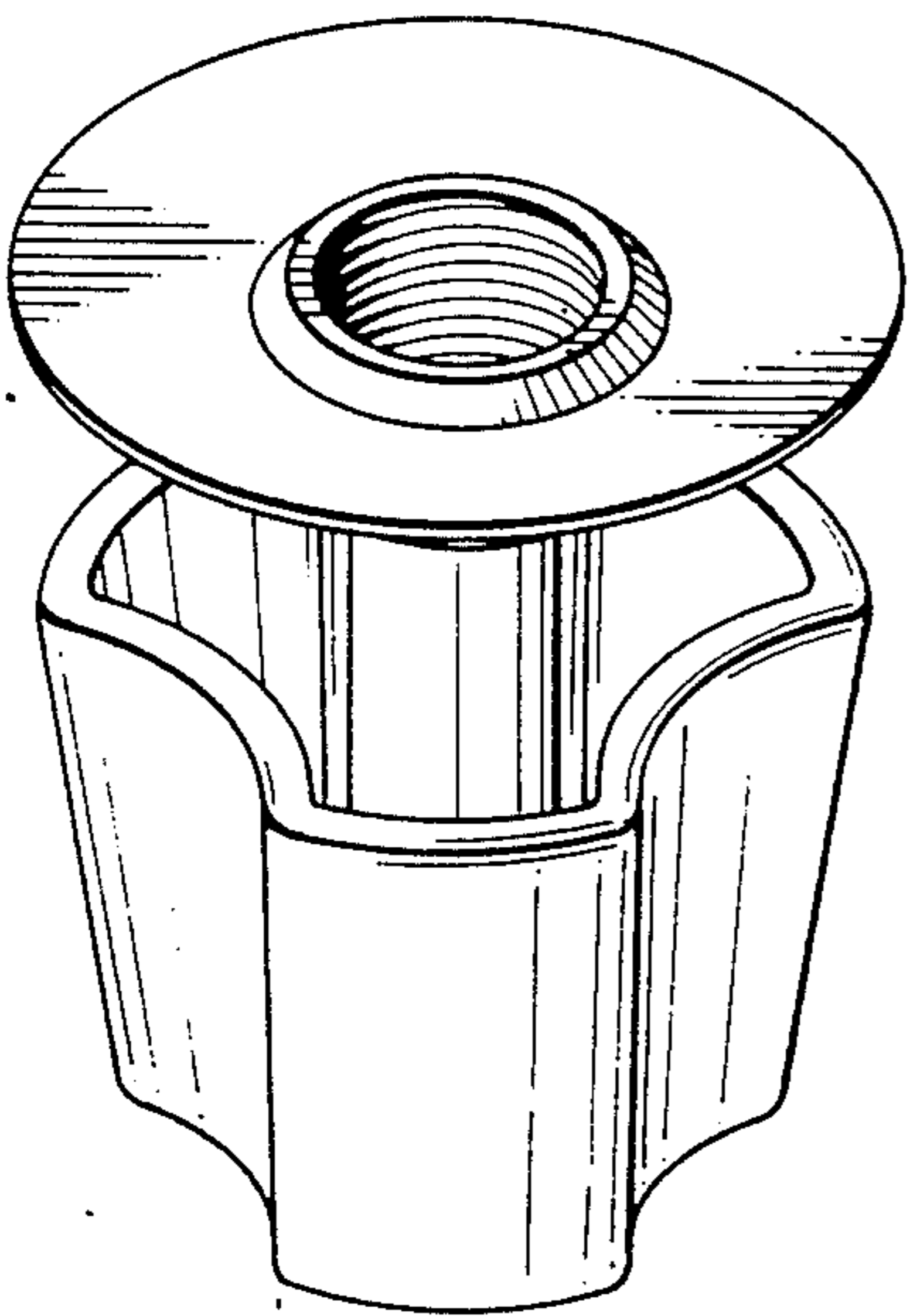


FIG. 2

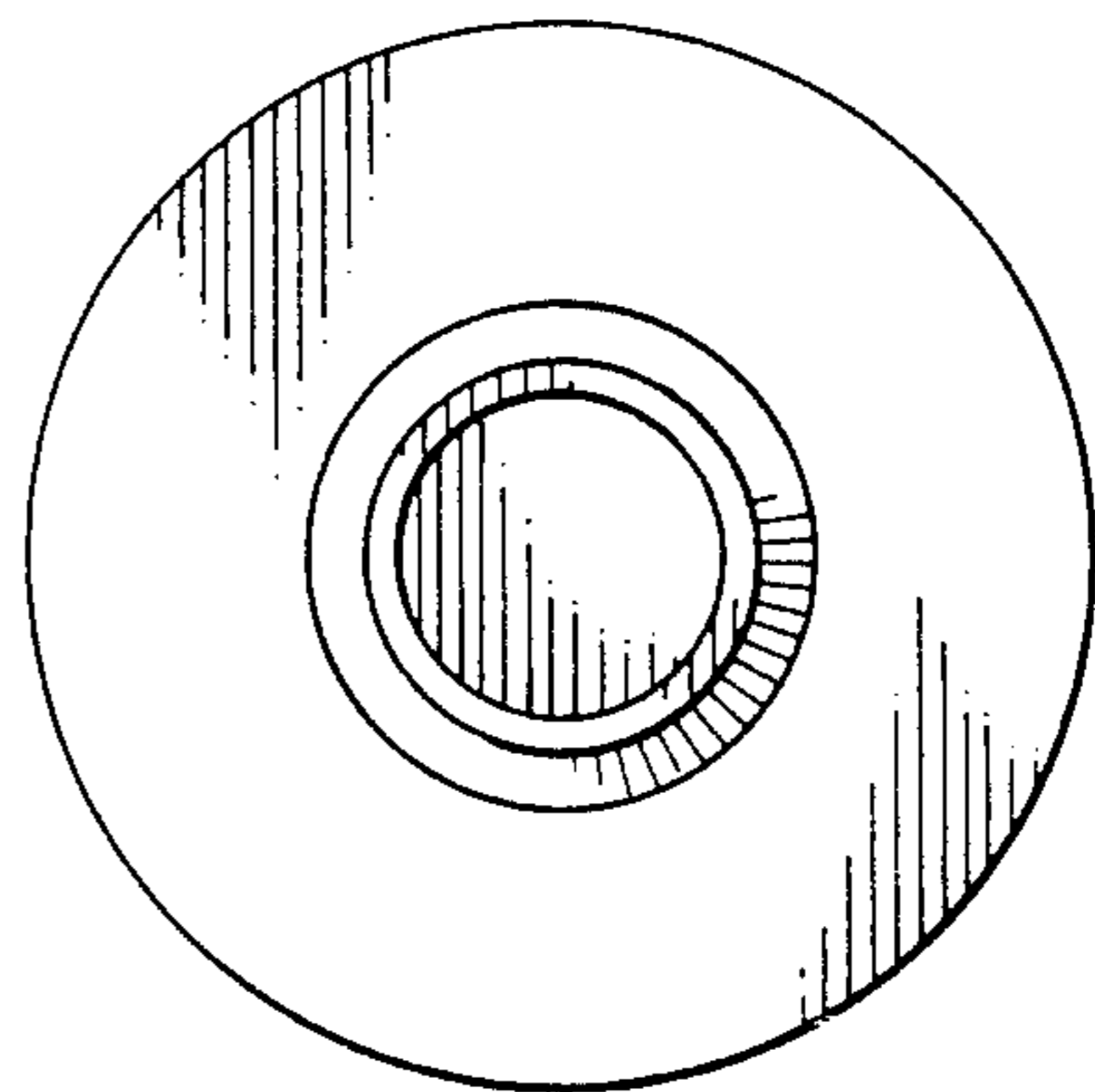


FIG. 5