

[54] ROBOT TOY

[75] Inventor: Soo C. Seo, Seoul, Rep. of Korea

[73] Assignee: Samsung Co., Ltd., Rep. of Korea

[**] Term: 14 Years

[21] Appl. No.: 718,240

[22] Filed: Apr. 1, 1985

[30] Foreign Application Priority Data

Nov. 20, 1984 [KR] Rep. of Korea 84-13771[U]

[52] U.S. Cl. D21/150

[58] Field of Search D21/150; 446/290, 291, 446/376; 901/1-6

[56] References Cited

U.S. PATENT DOCUMENTS

3,728,815 4/1973 Tomiyawa D21/150

OTHER PUBLICATIONS

Hong Kong Toys, 1982, p. 141, middle right, Robot. Tomy Cat. (Robot), extreme right, Robot.

Primary Examiner—Melvin B. Feifer
Attorney, Agent, or Firm—Birch, Stewart, Kolasch & Birch

[57] CLAIM

The ornamental design for a robot toy, substantially as shown and described.

DESCRIPTION

FIG. 1 is a perspective view of a robot toy showing my new design;

FIG. 2 is a top view of the toy;

FIG. 3 is a front elevational view of the toy;

FIG. 4 is a bottom view of the toy;

FIG. 5 is a rear view of the toy;

FIG. 6 is a right side view of the toy; the left side being the same.

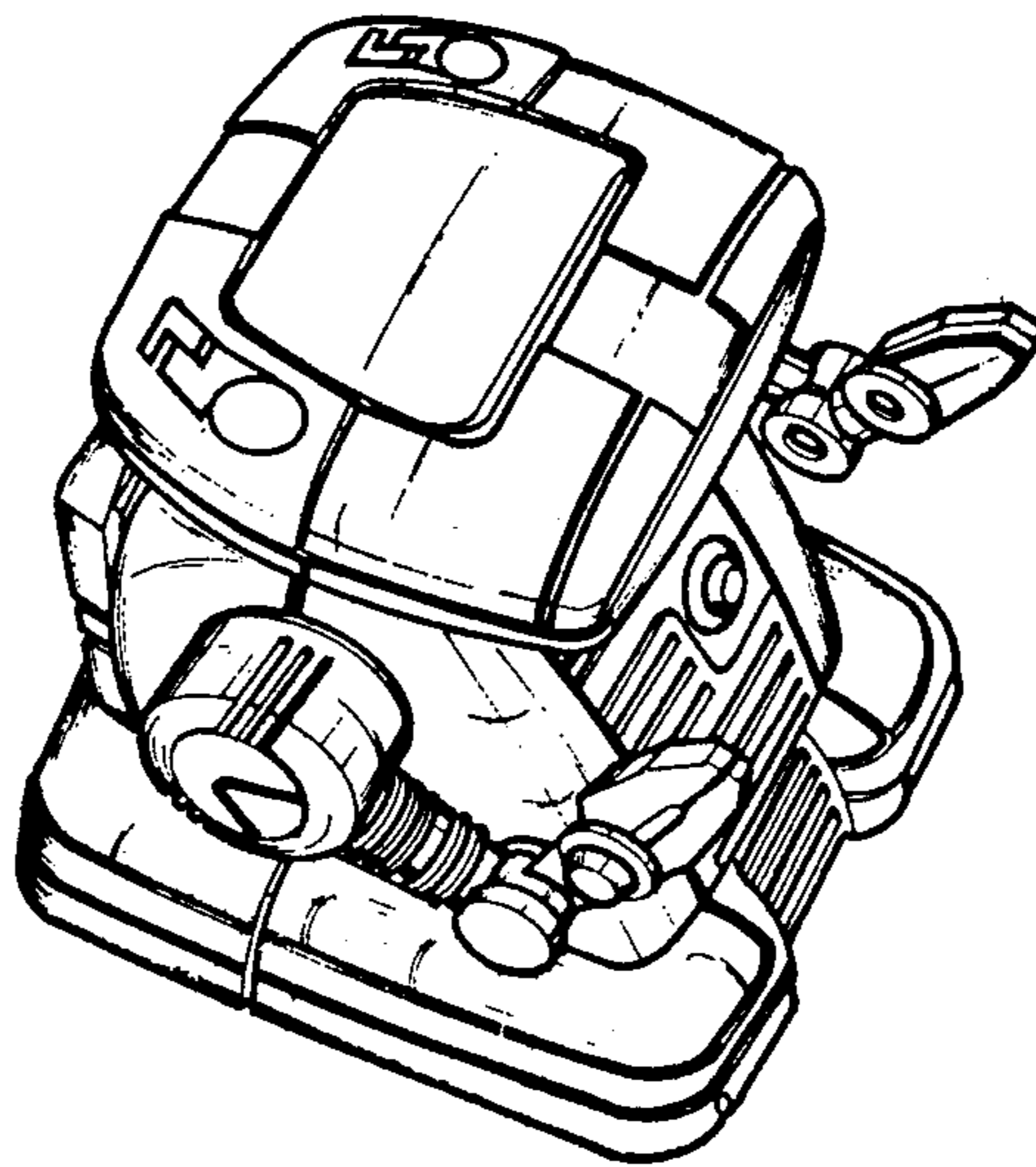


FIG. 1

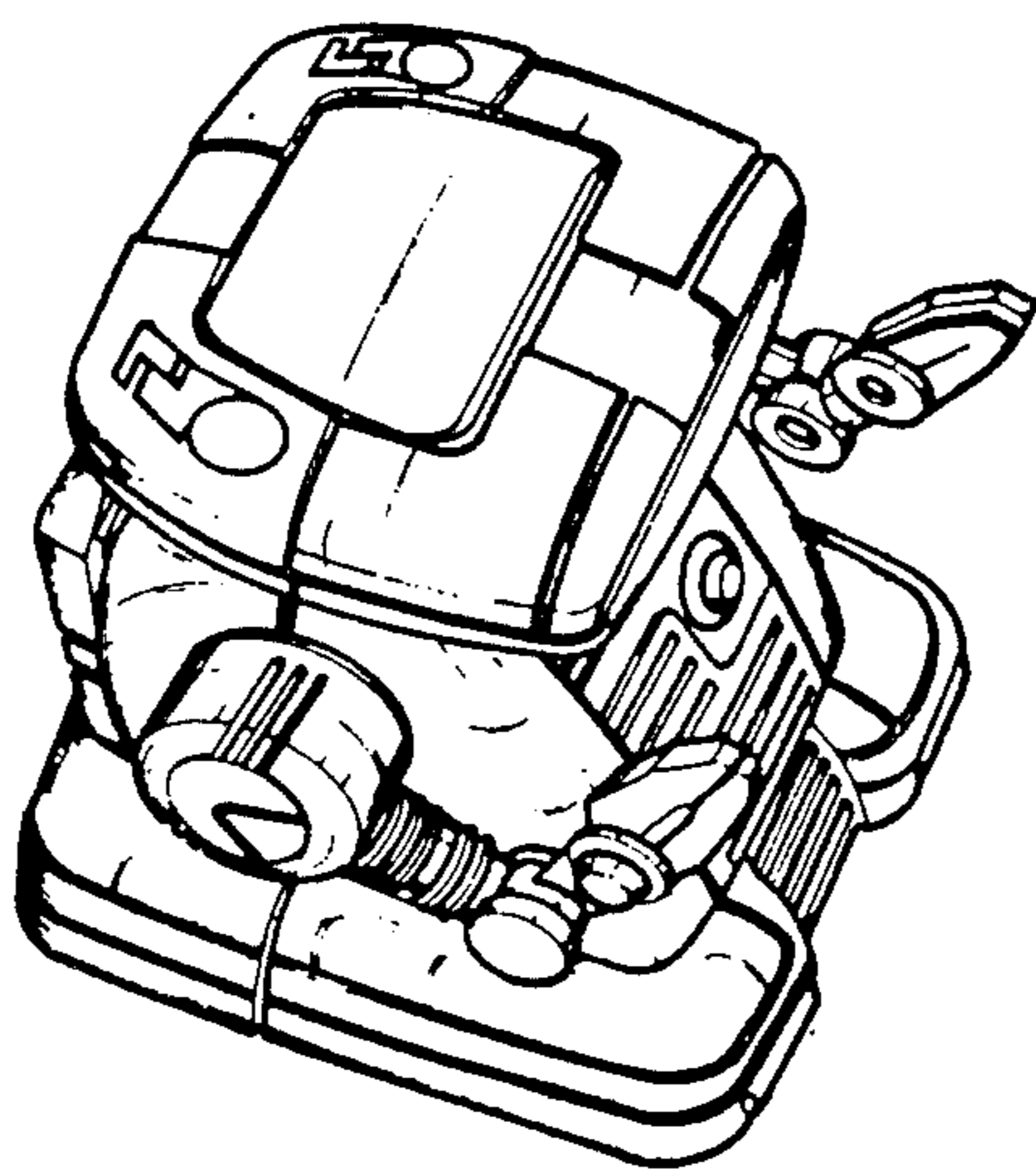


FIG. 2

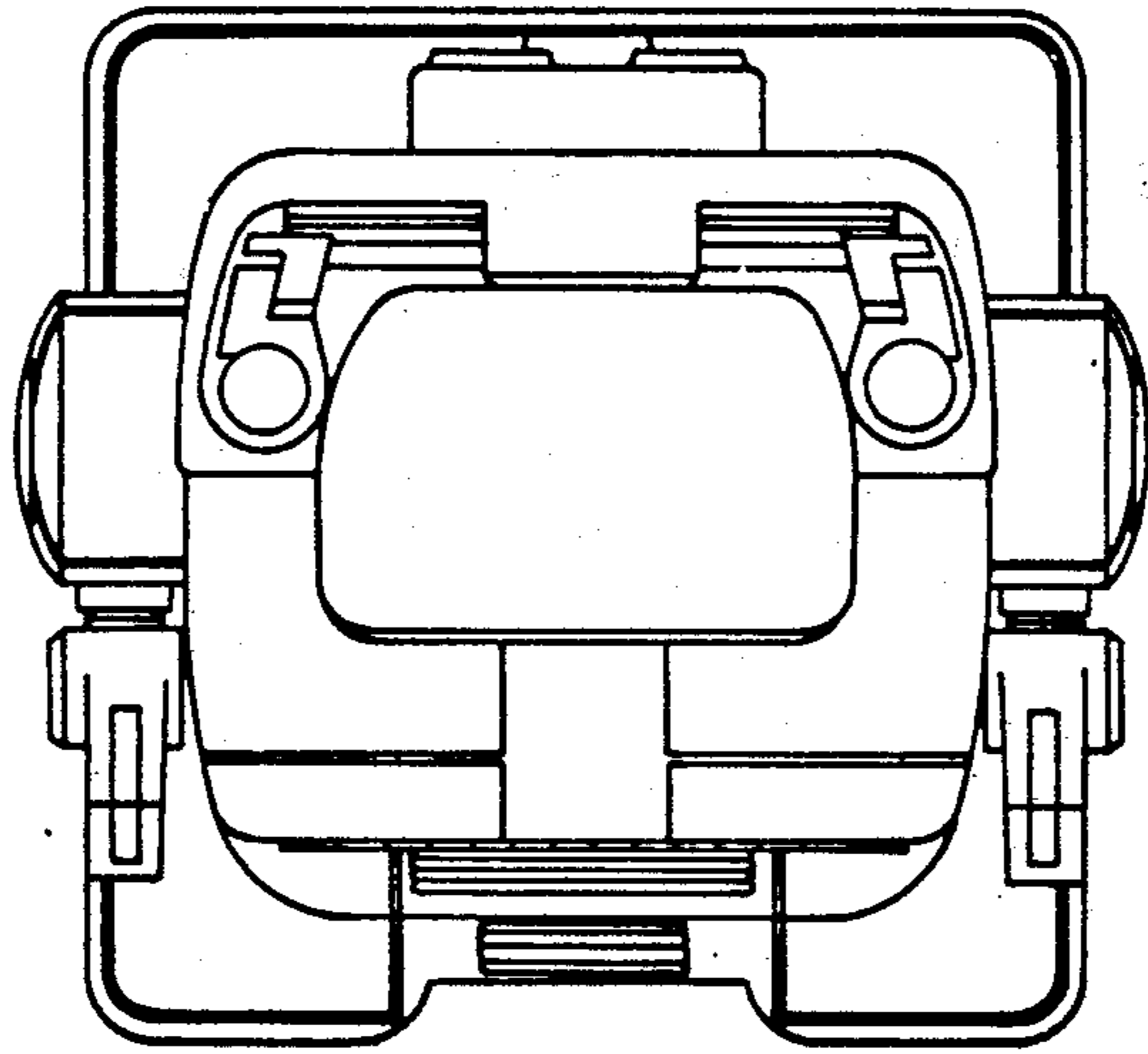


FIG. 3

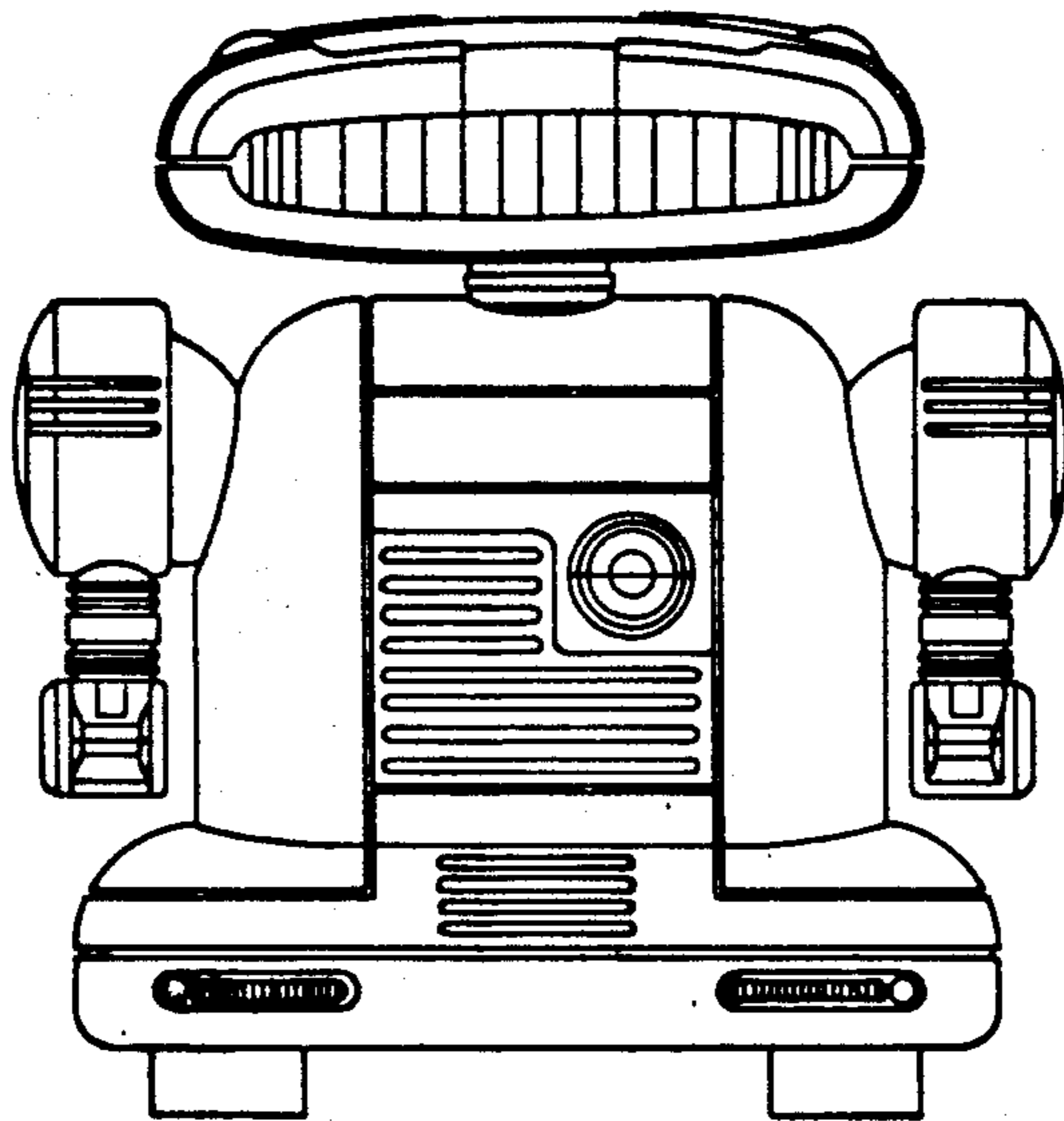


FIG. 4

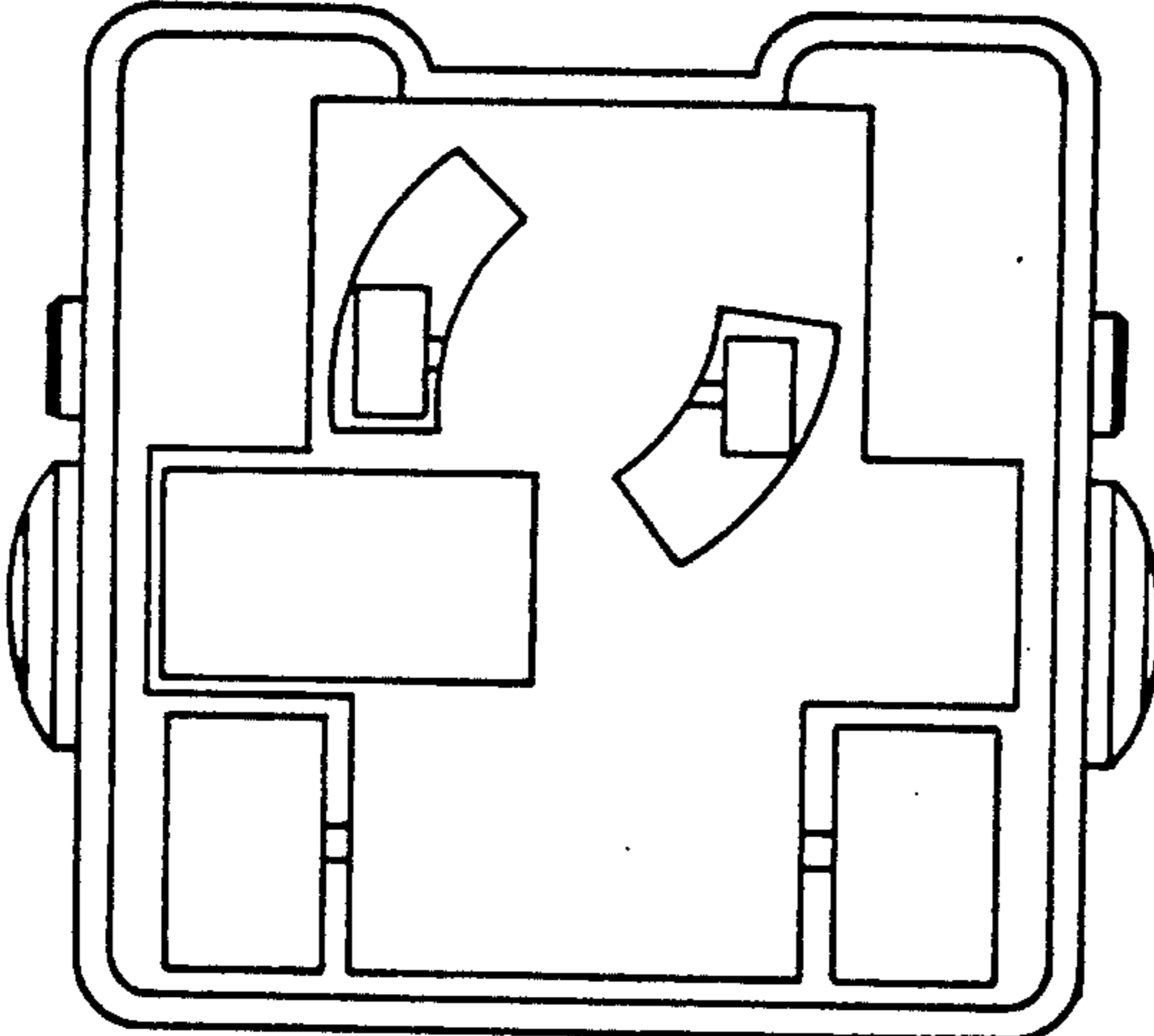


FIG. 5

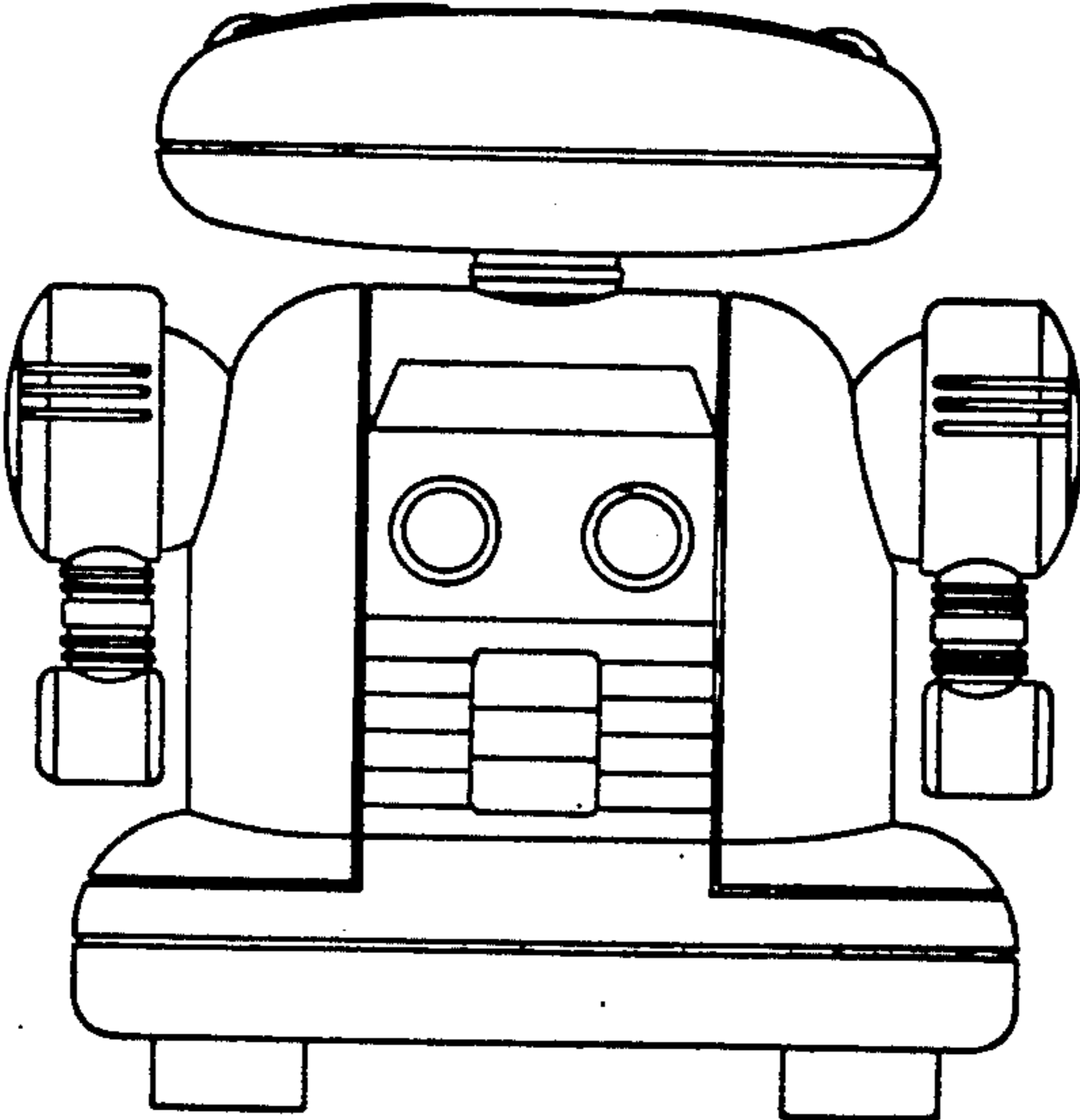


FIG. 6

