

[54] FOLDING TOY PLAY SCENE

[75] Inventors: Lawrence T. Jones, Los Angeles; R. Stephen Lee, Westlake Village; Paul J. Ishikawa, Hermosa Beach; Ashley G. Howden, Los Angeles, all of Calif.

[73] Assignee: California R & D Center, Culver City, Calif.

[**] Term: 14 Years

[21] Appl. No.: 698,566

[22] Filed: Feb. 6, 1985

[52] U.S. Cl. D21/118; D21/59

[58] Field of Search D21/59, 114, 115, 116, D21/117, 118, 119; 446/71, 73, 74, 76; D3/30.1

[56] References Cited

U.S. PATENT DOCUMENTS

D. 150,035	6/1948	Selby	D21/118
D. 236,742	9/1975	Goodwin	D21/118
4,165,579	8/1979	Chase	446/73
4,349,983	9/1982	Kilroy et al.	446/76

Primary Examiner—Charles A. Rademaker

Attorney, Agent, or Firm—Price, Gess & Ubell

[57] CLAIM

The ornamental design for a folding toy play scene, substantially shown and described.

DESCRIPTION

FIG. 1 is a left side perspective view of a folding toy play scene showing our new design;
 FIG. 2 is a top plan view thereof, shown on a reduced scale;
 FIG. 3 is a right side elevational view thereof;
 FIG. 4 is a bottom plan view thereof;
 FIG. 5 is a front elevational view thereof in a closed condition;
 FIG. 6 is a right side elevational view thereof;
 FIG. 7 is a left side elevational view thereof;
 FIG. 8 is a top plan view of the sign member;
 FIG. 9 is a right side elevational view thereof, the side opposite being a mirror image;
 FIG. 10 is a bottom plan view thereof;
 FIG. 11 is a top plan view of the toy house member;
 FIG. 12 is a bottom plan view thereof;
 FIG. 13 is a rear elevational view thereof;
 FIG. 14 is a right side elevational view thereof, the side opposite being a mirror image.

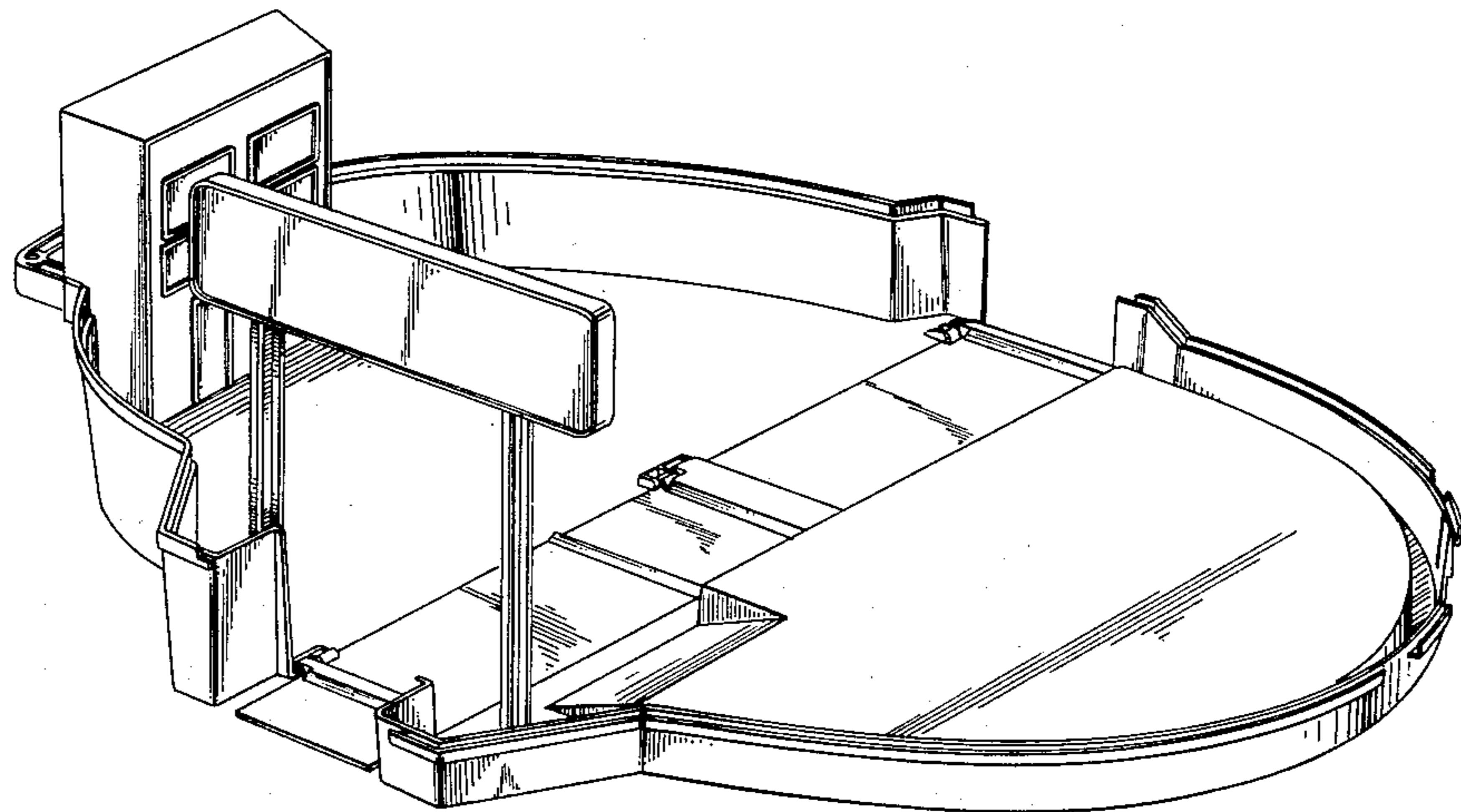


FIG. 1

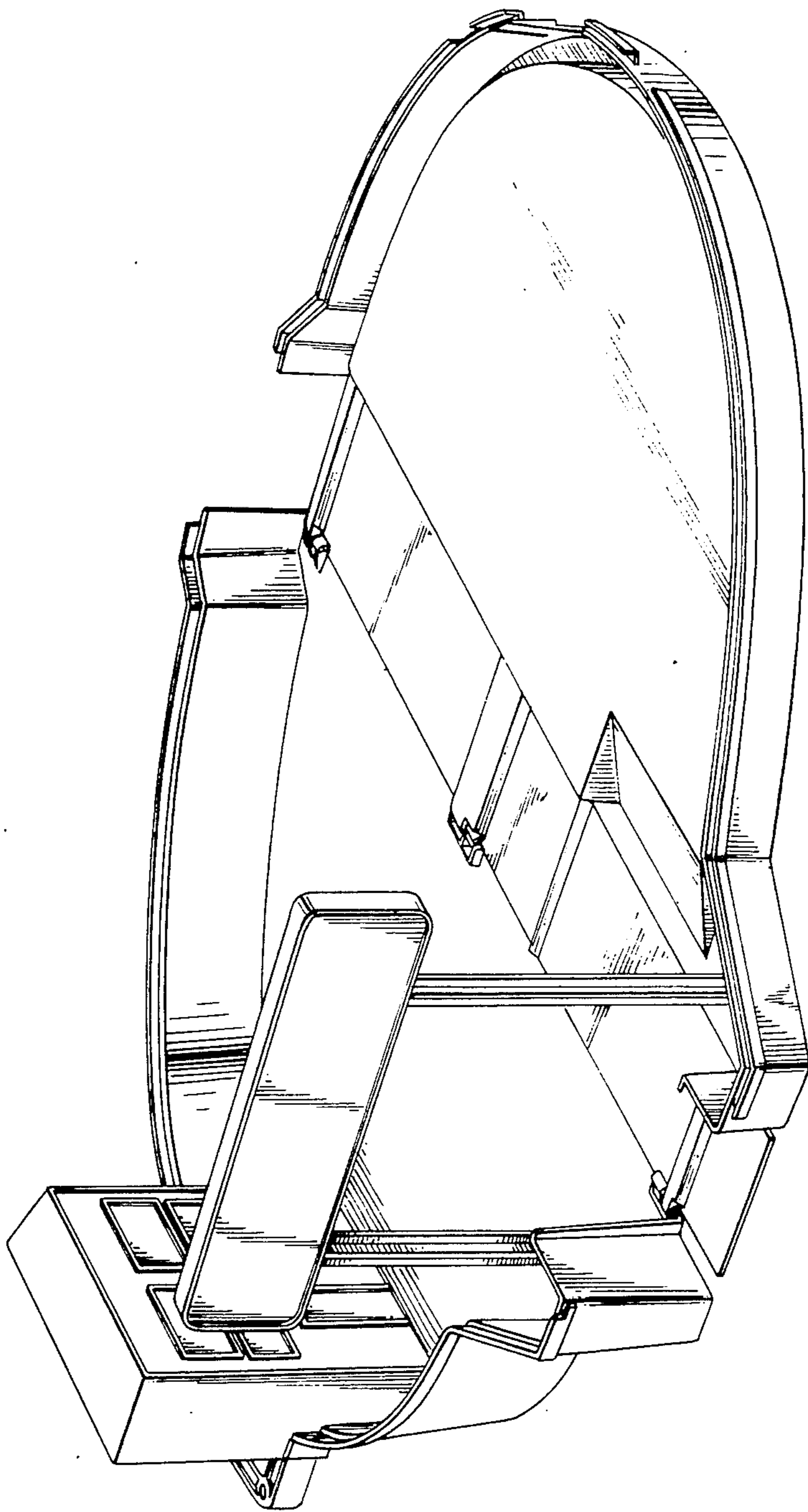


FIG. 2

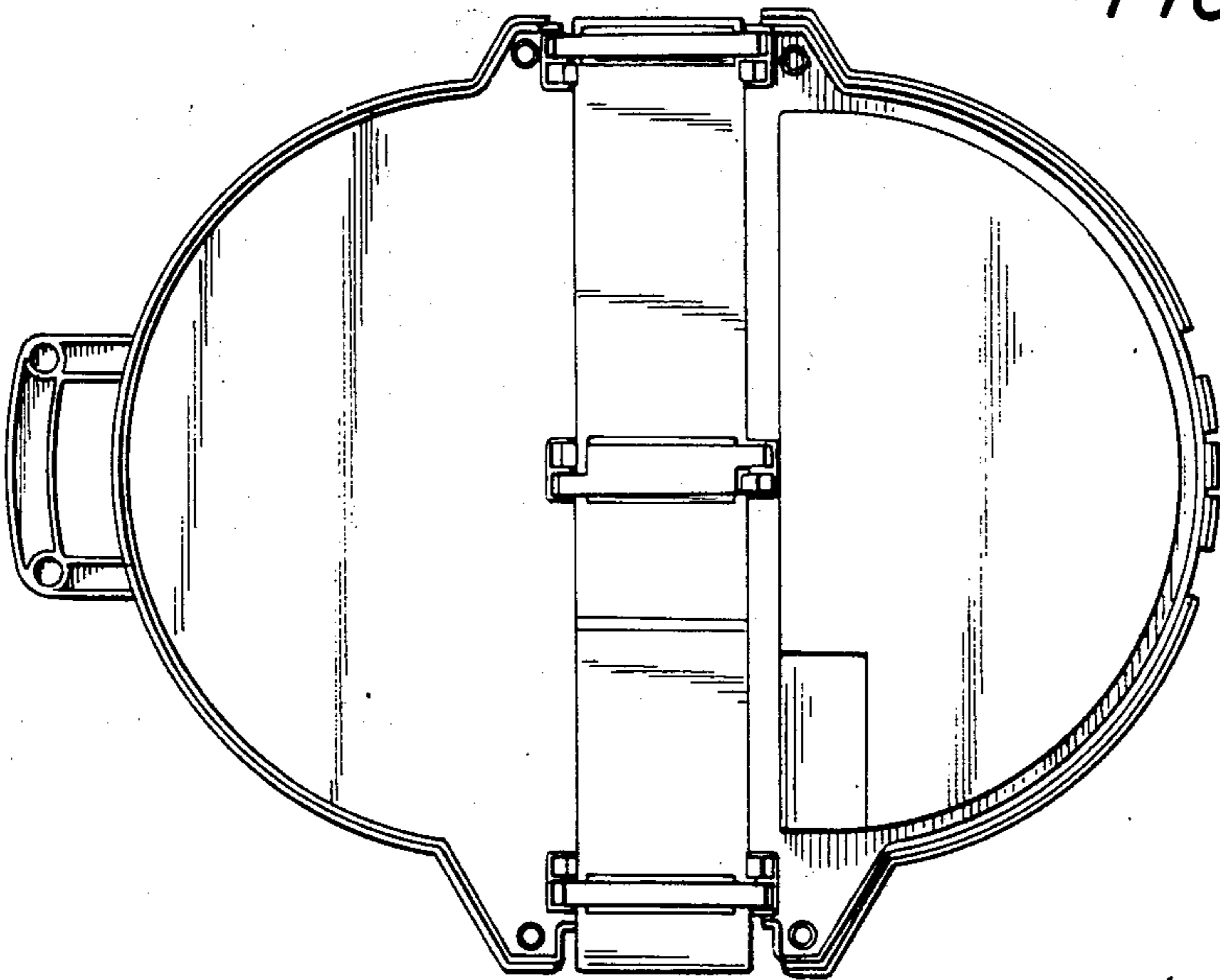


FIG. 3

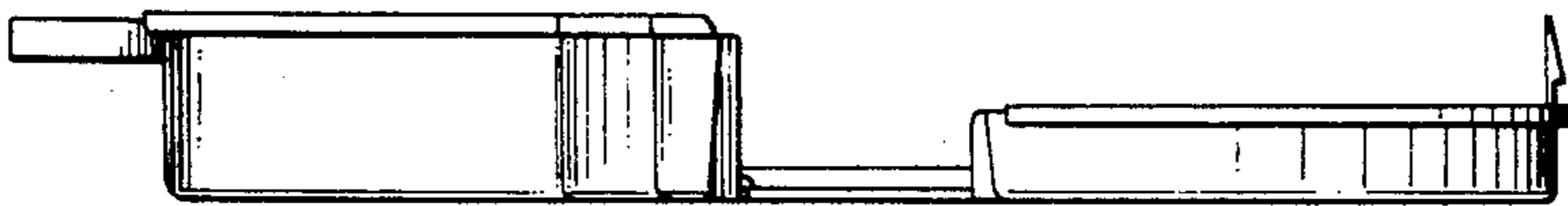
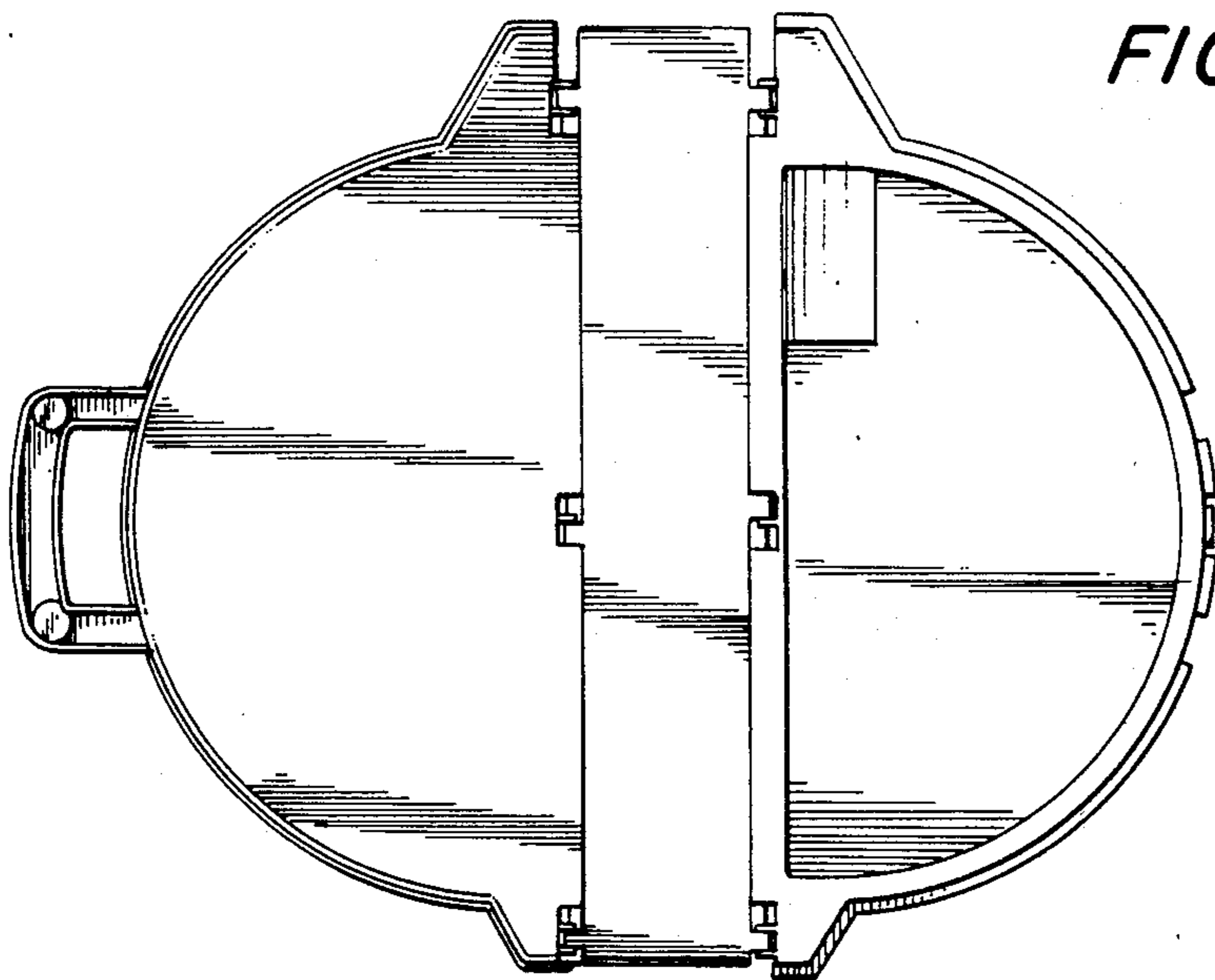


FIG. 4



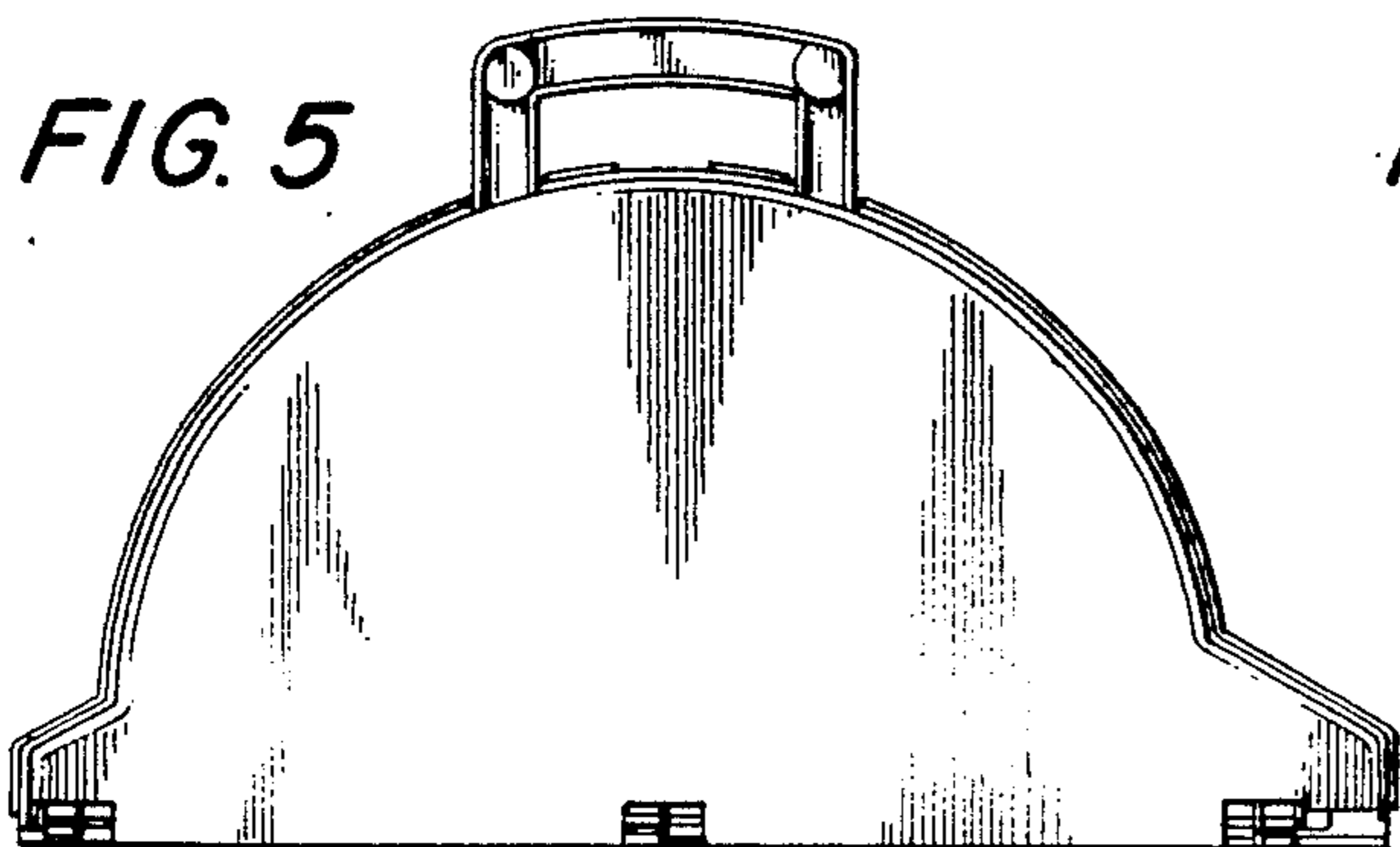


FIG. 6

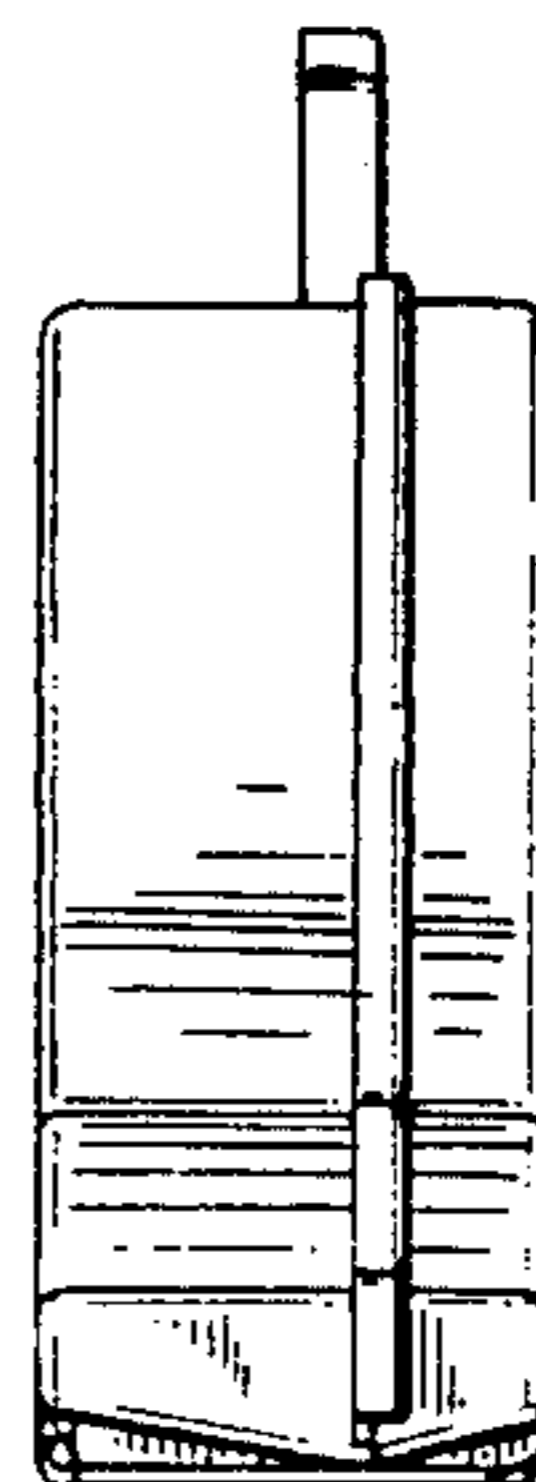


FIG. 7



FIG. 8

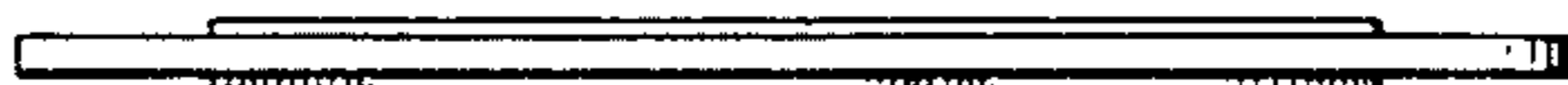


FIG. 10



FIG. 9

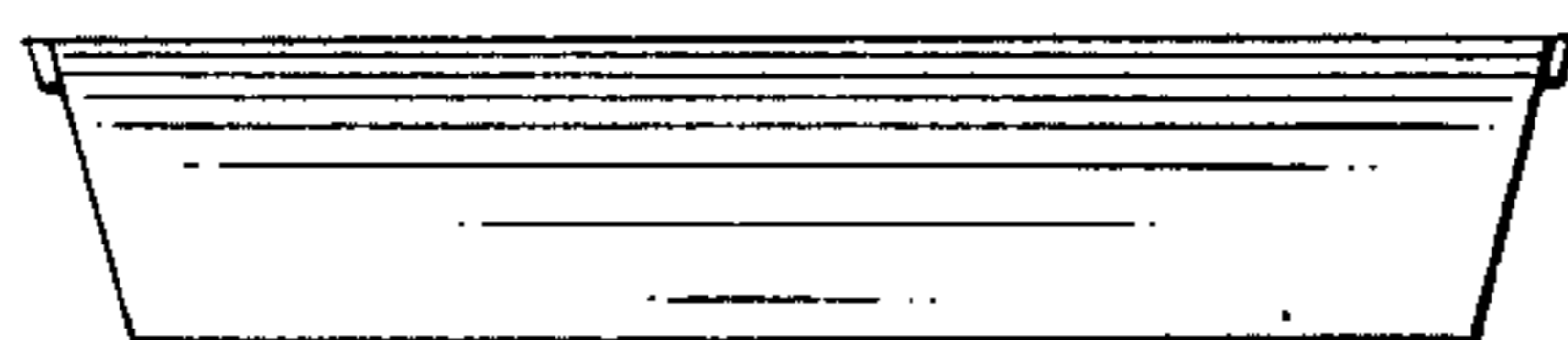
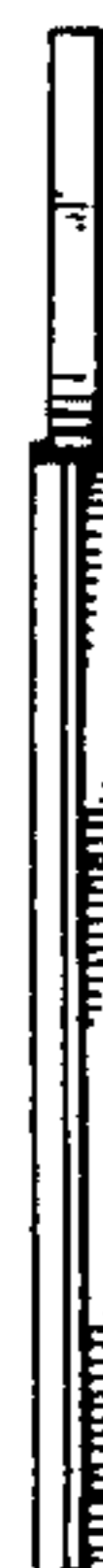


FIG. 11

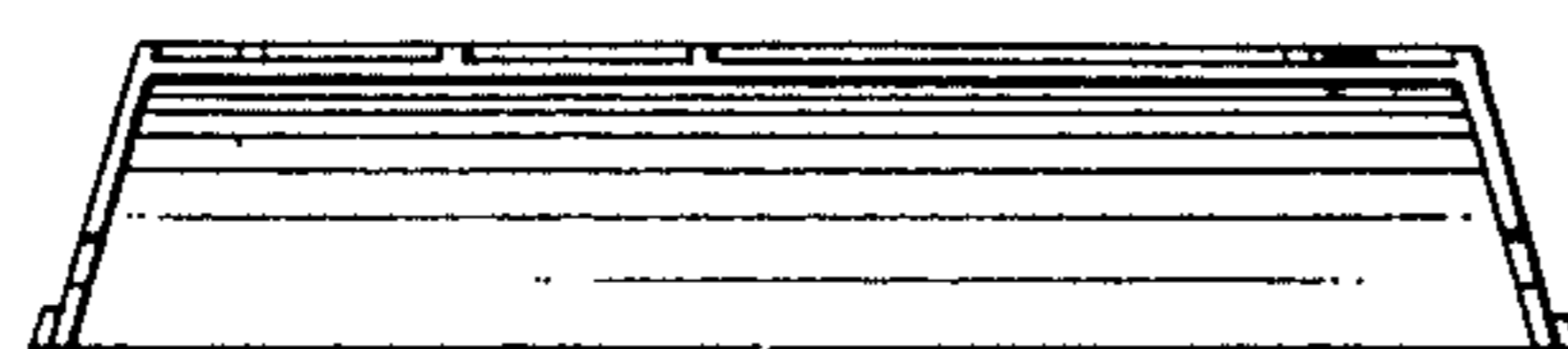


FIG. 12

FIG. 13

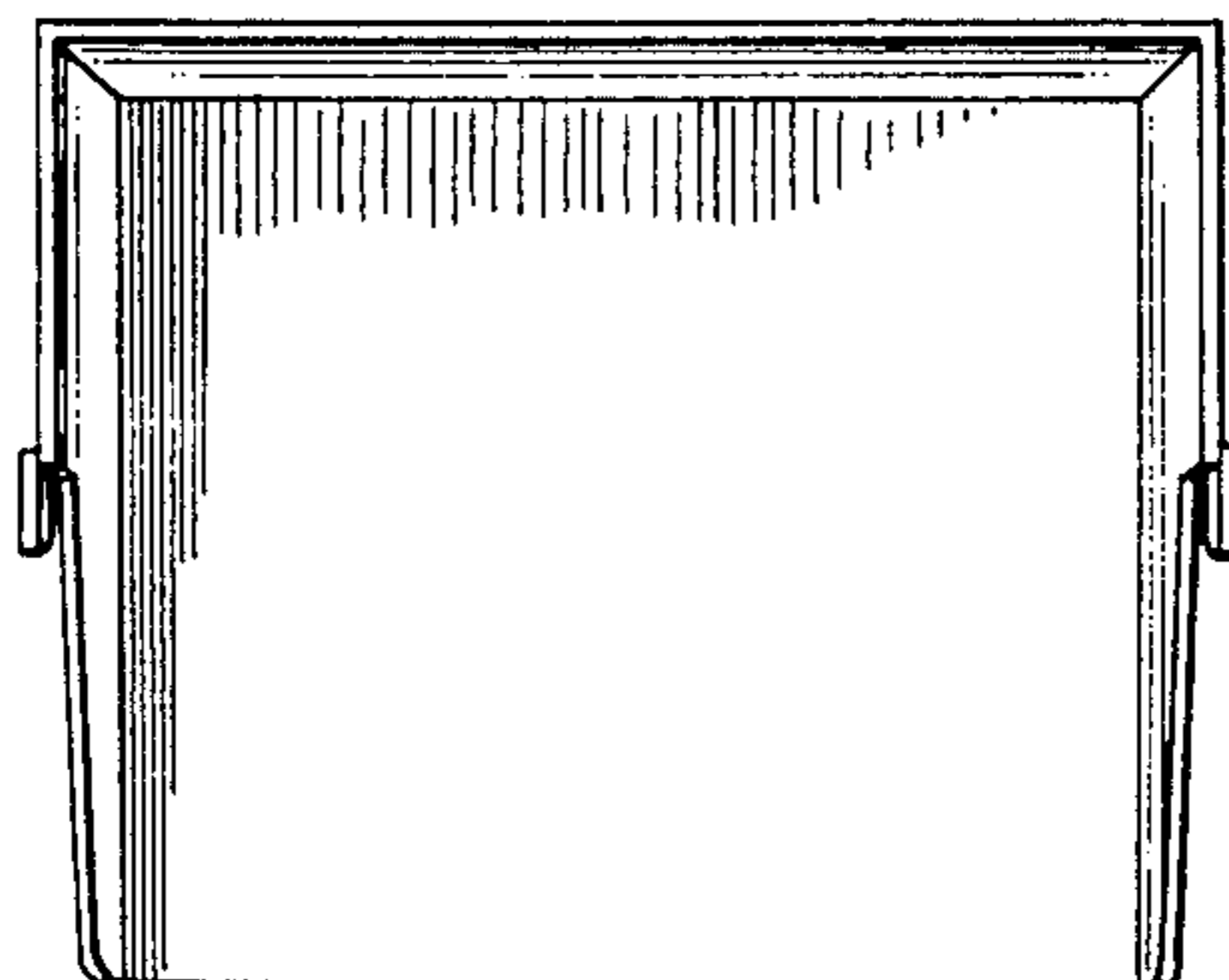


FIG. 14

