

[54] TRACK BALL UNIT

[75] Inventor: Eric Wagner, Västerås, Sweden

[73] Assignee: Asea Aktiebolag, Västerås, Sweden

[**] Term: 14 Years

[21] Appl. No.: 656,799

[22] Filed: Oct. 1, 1984

[30] Foreign Application Priority Data

Apr. 9, 1984 [SE] Sweden 841167

[52] U.S. Cl. D21/48; D13/32; D14/114

[58] Field of Search D21/48; D14/114; D13/32; 273/DIG. 28, 148 B

[56] References Cited

U.S. PATENT DOCUMENTS

D. 281,776 12/1985 Griffen D21/48
D. 285,203 8/1986 Milroy et al. D14/114

Primary Examiner—Melvin B. Feifer
Attorney, Agent, or Firm—Pollock, Vande Sande & Priddy

[57] CLAIM

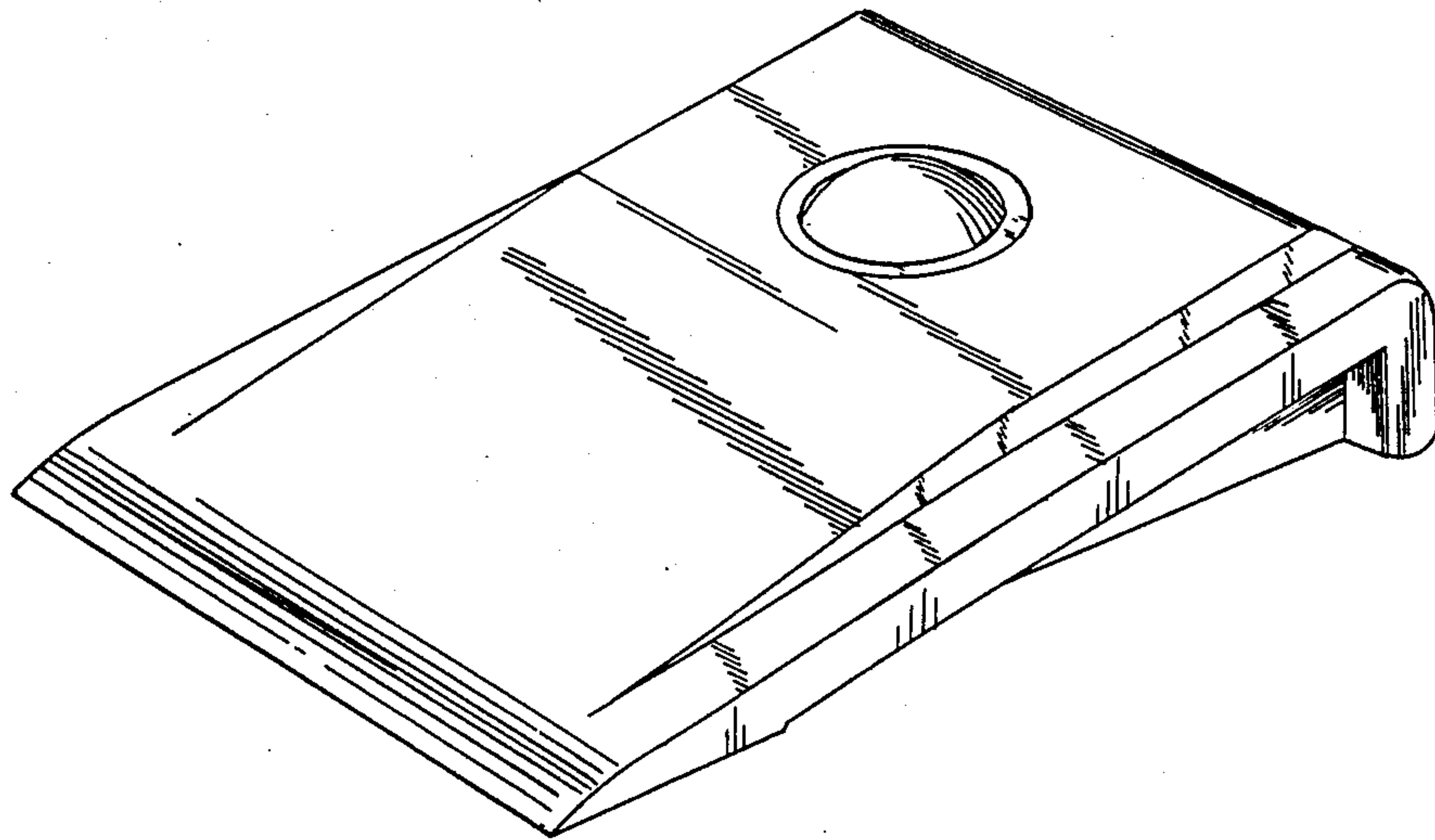
The ornamental design for a track ball unit, substantially as shown and described.

DESCRIPTION

FIG. 1 is a top perspective view from one end of a track ball unit showing my new design.

FIG. 2 is a perspective view looking from the other end of the track ball unit.

There are no ornamental features on the bottom of the track ball unit.



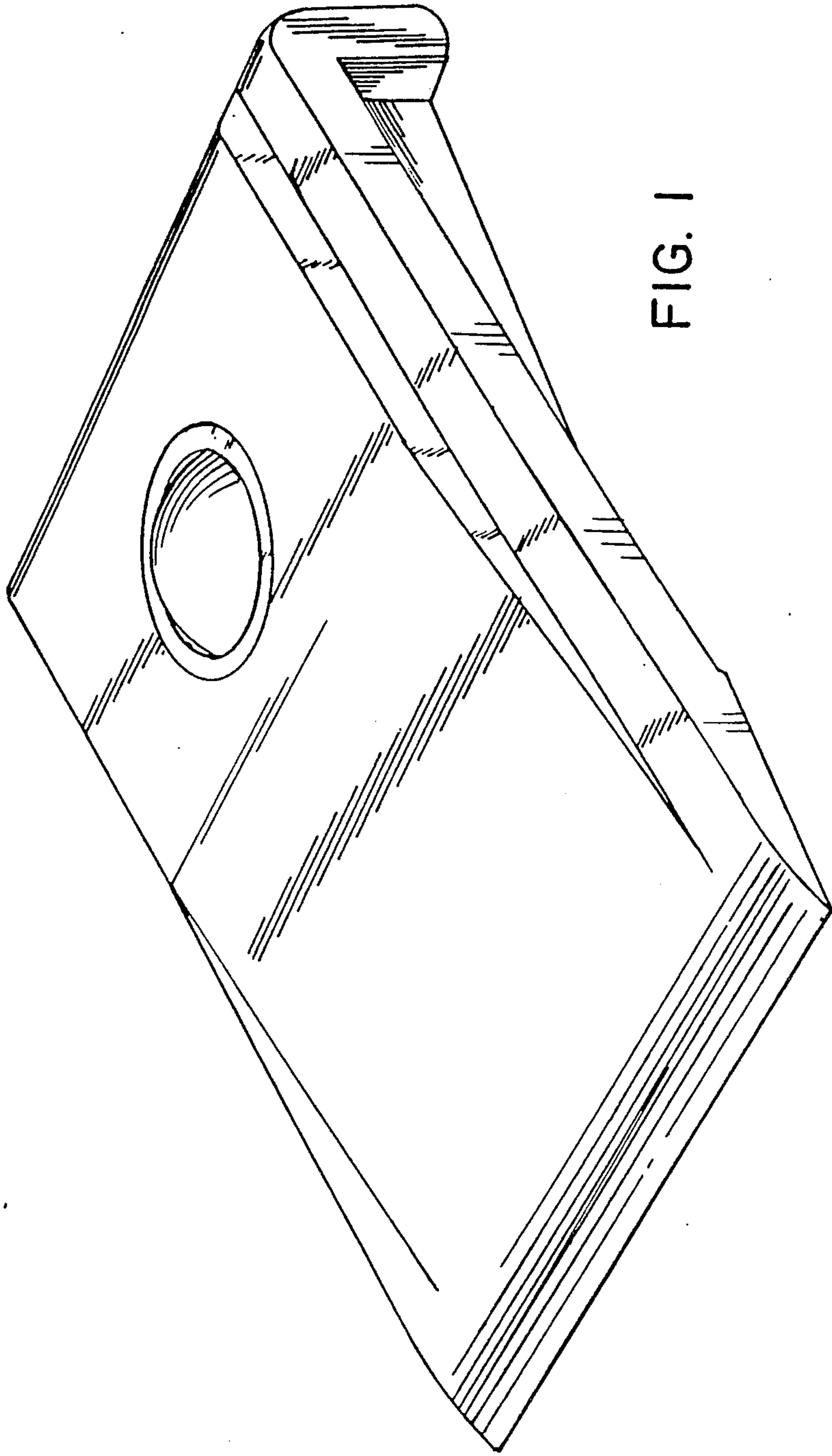


FIG. 1

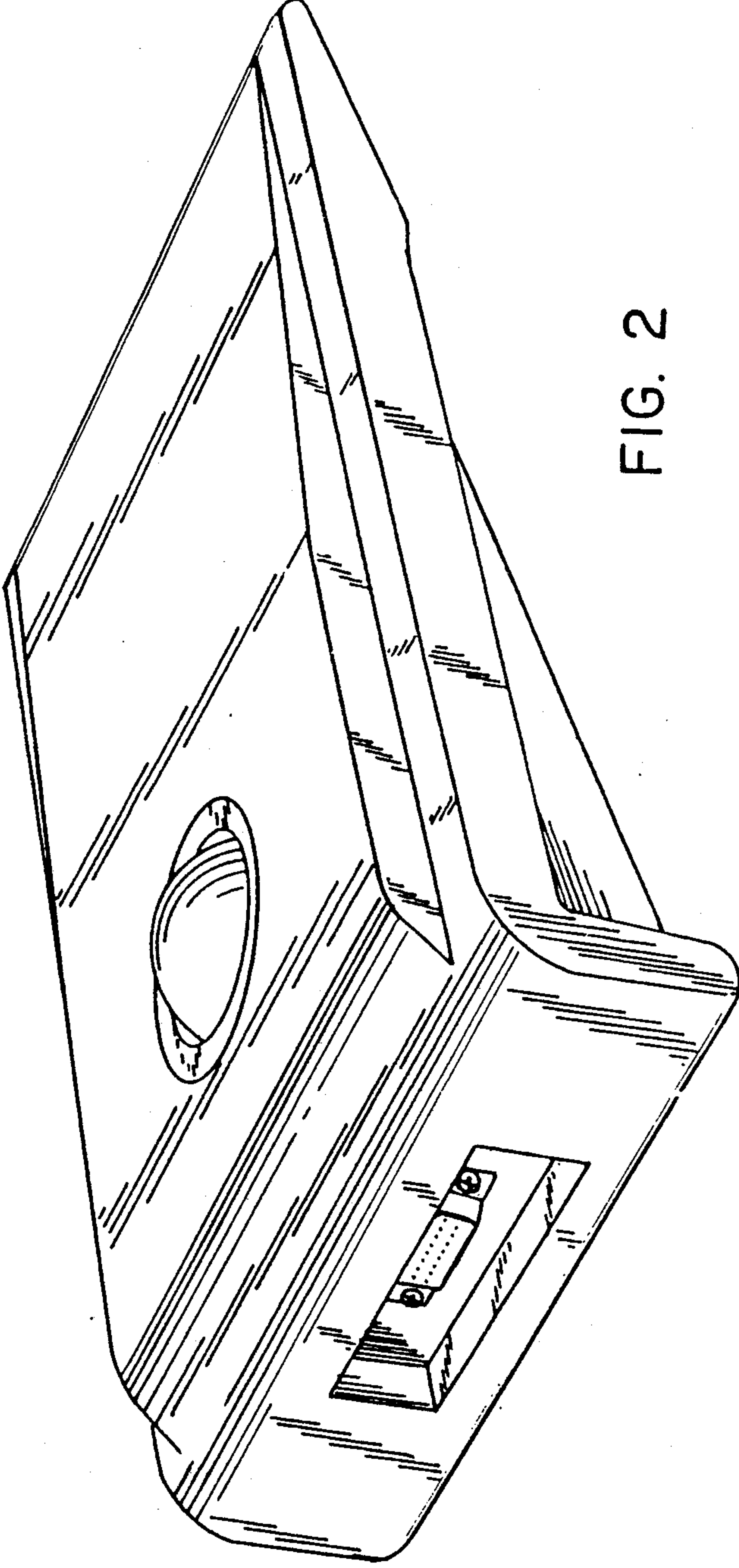


FIG. 2