

United States Patent [19]

Morozumi

[11] Patent Number: **Des. 292,591**

[45] Date of Patent: **** Nov. 3, 1987**

[54] **ELECTROSTATIC COPYING MACHINE**

[75] Inventor: **Kiyotaka Morozumi, Kanagawa, Japan**

[73] Assignee: **Ricoh Company, Ltd., Tokyo, Japan**

[**] Term: **14 Years**

[21] Appl. No.: **746,420**

[22] Filed: **Jun. 19, 1985**

[30] **Foreign Application Priority Data**

Dec. 19, 1984 [JP] Japan 59-52196

[52] U.S. Cl. **D16/31**

[58] Field of Search **D16/27-32; 355/3 R, 3 SH, 5, 8, 11, 14 R, 14 SH; D14/94**

[56] **References Cited**

U.S. PATENT DOCUMENTS

- D. 270,164 8/1983 Sawada D16/31
- D. 276,051 10/1984 Kosako D16/31
- D. 276,347 11/1984 Matsuzaka D16/31

- D. 280,634 9/1985 Imada D16/31
- D. 285,209 8/1986 Kosako D16/31
- 4,502,776 3/1985 Matsumoto 355/14 SH
- 4,589,760 3/1986 Iimori 355/8
- 4,597,662 7/1986 Hirata 355/14 R

Primary Examiner—Nelson C. Holtje
Attorney, Agent, or Firm—Oblon, Fisher, Spivak, McClelland, & Maier

[57] **CLAIM**

The ornamental design for electrostatic copying machine, as shown, and described.

DESCRIPTION

FIG. 1 is a top and right front perspective view of an electrostatic copying machine showing my new design; FIG. 2 is a front elevational view thereof; FIG. 3 is a top plan view thereof; FIG. 4 is a right side elevational view thereof; FIG. 5 is a left side elevational view thereof; FIG. 6 is a rear elevational view thereof; FIG. 7 is a bottom plan view thereof.

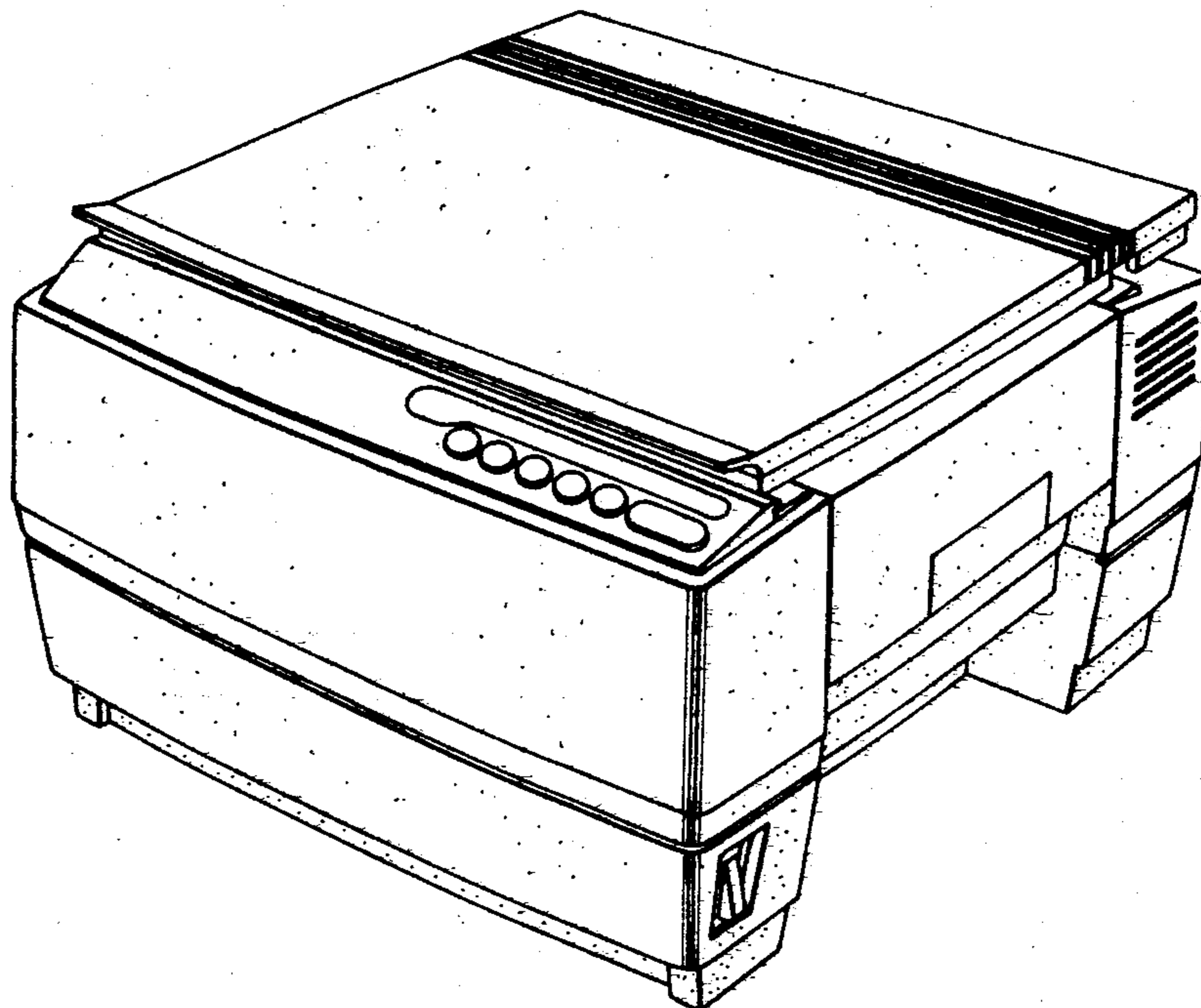


FIG. 1

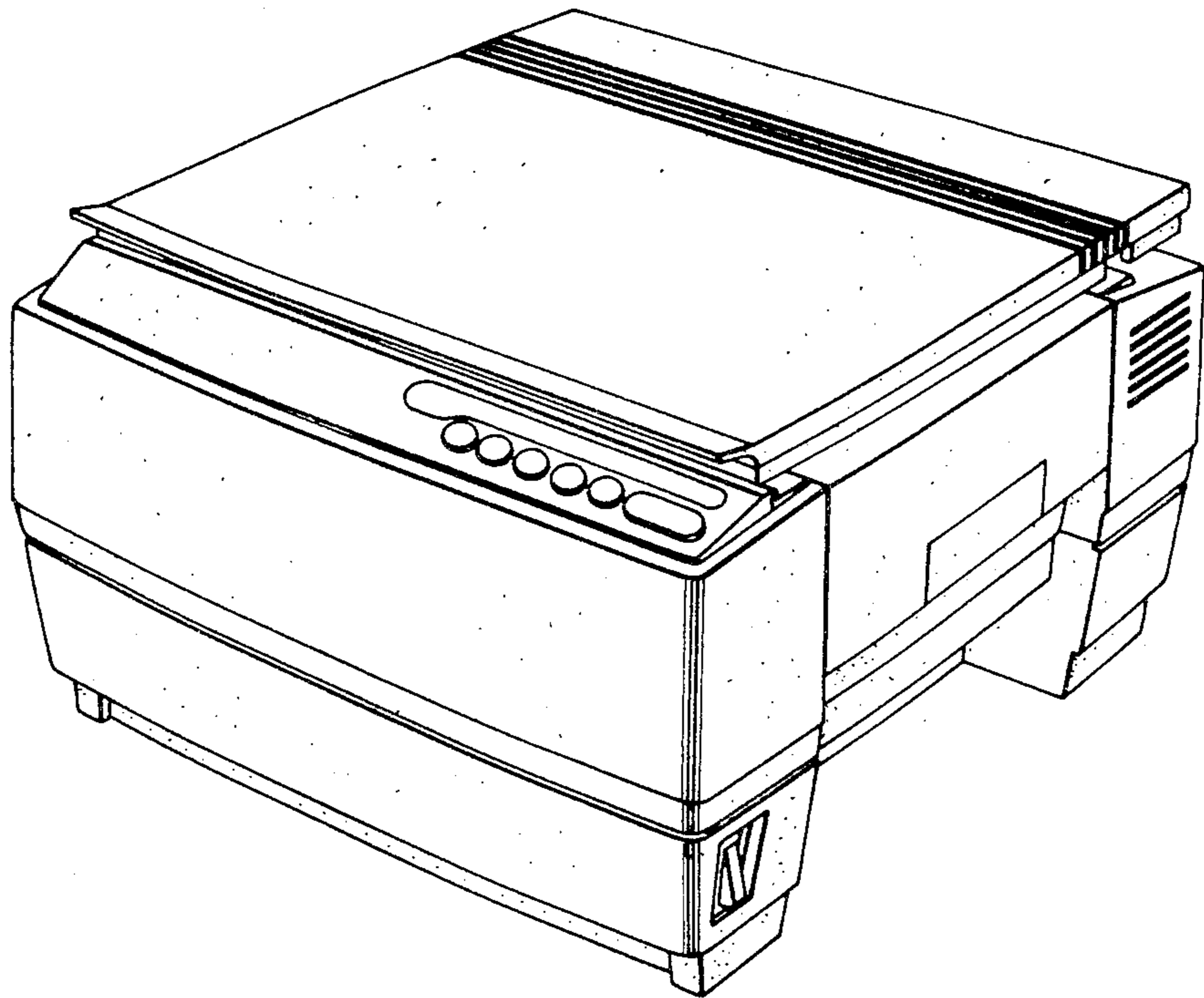


FIG. 2

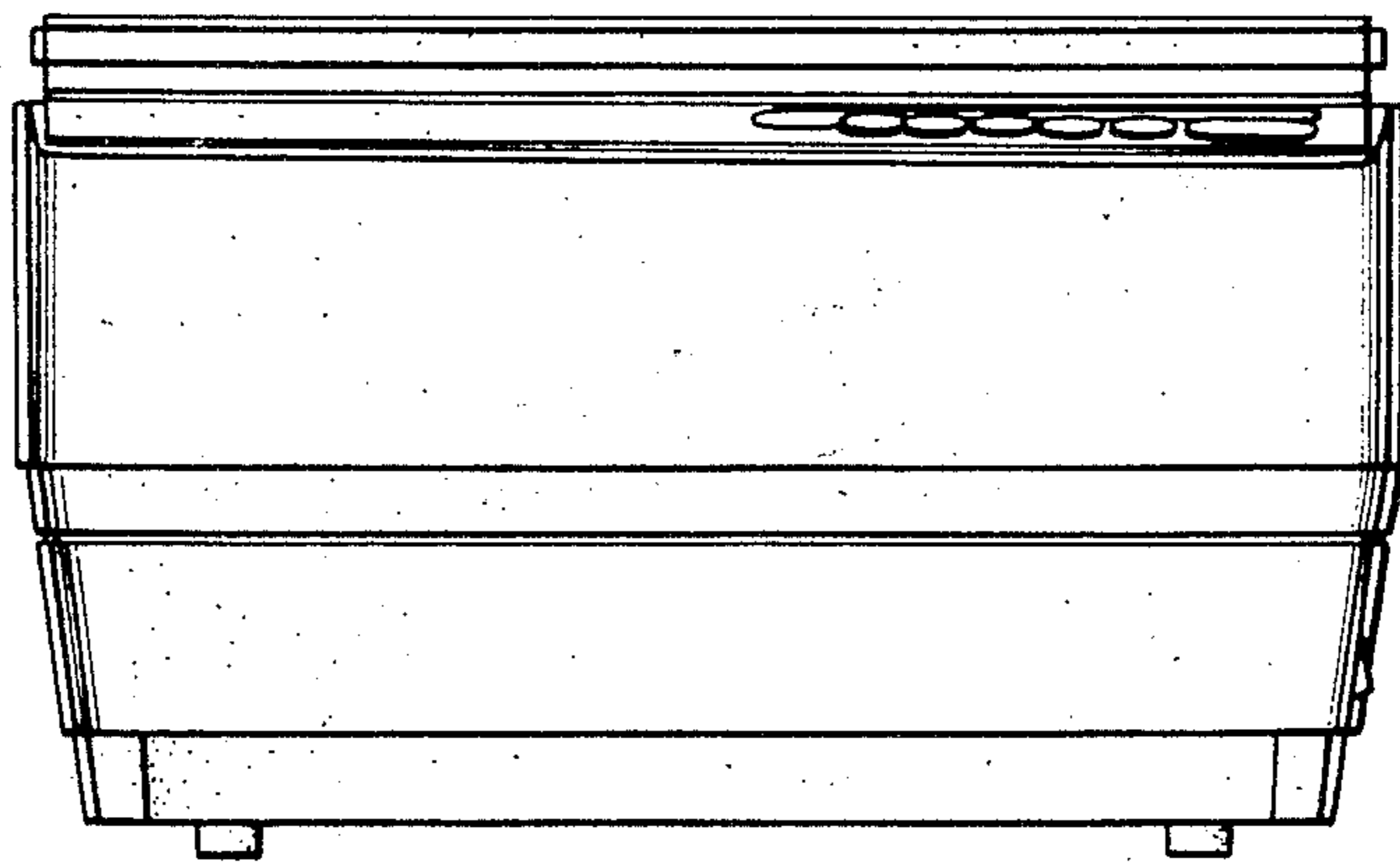


FIG. 3

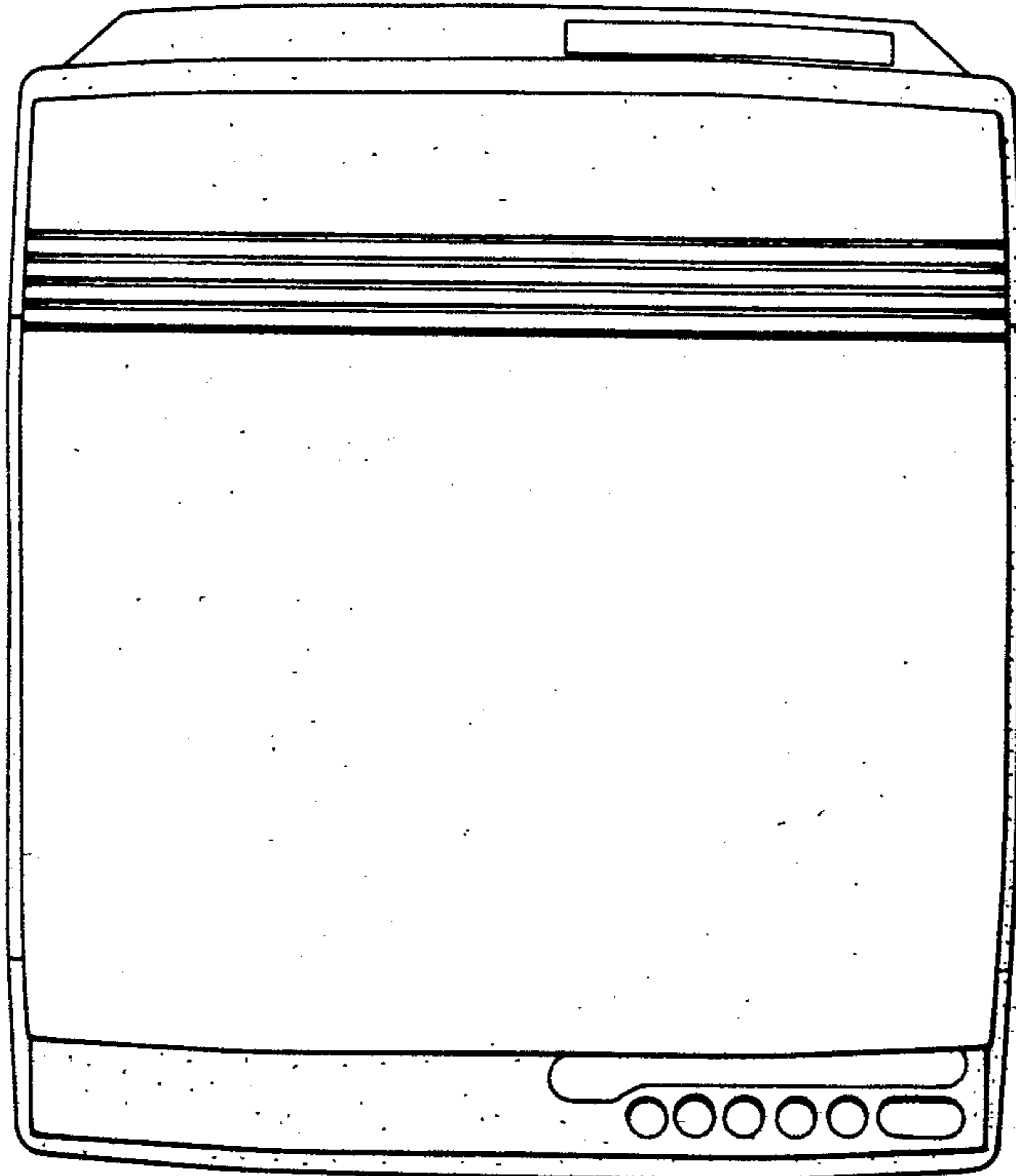


FIG. 4

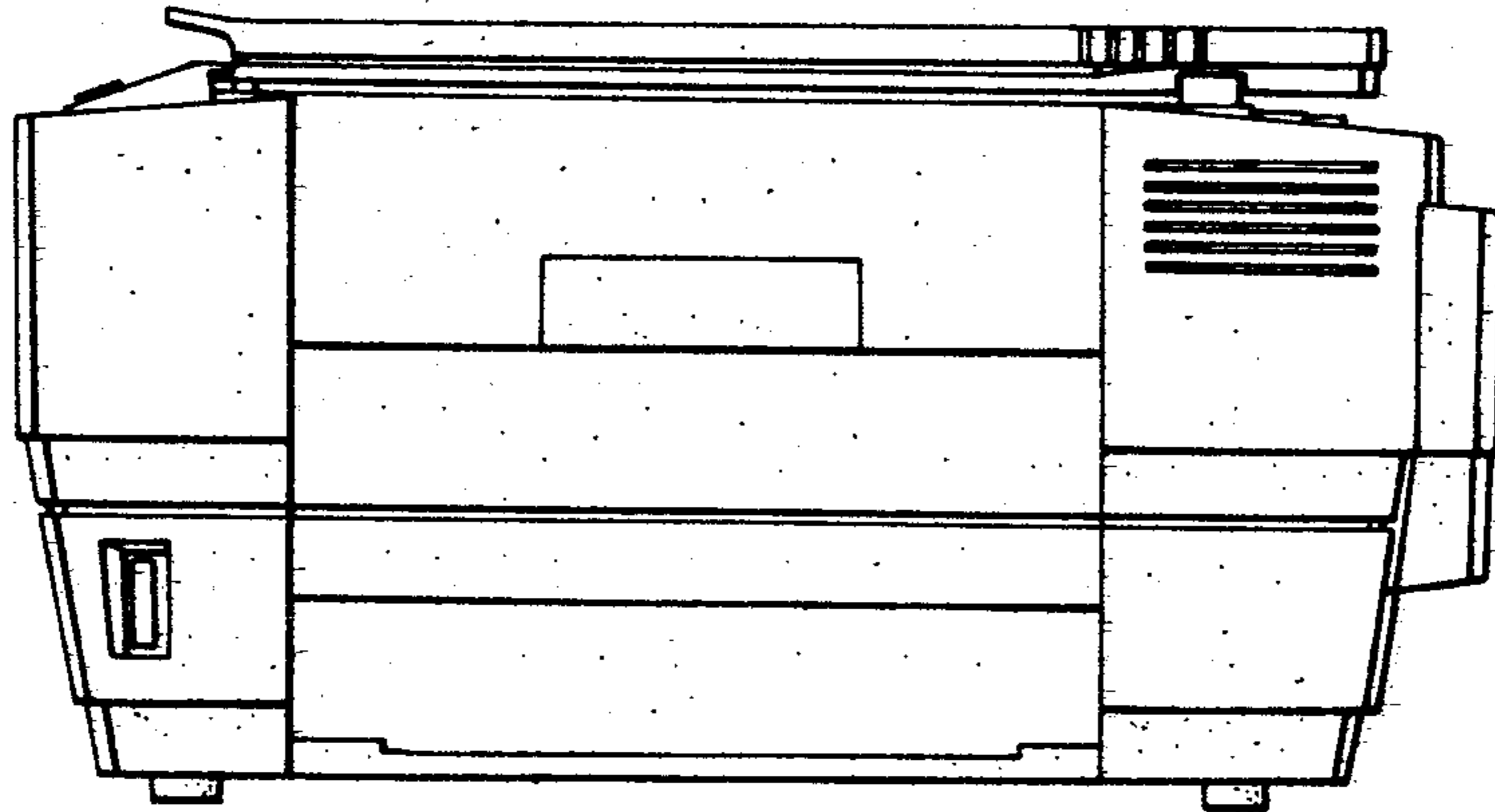


FIG. 5

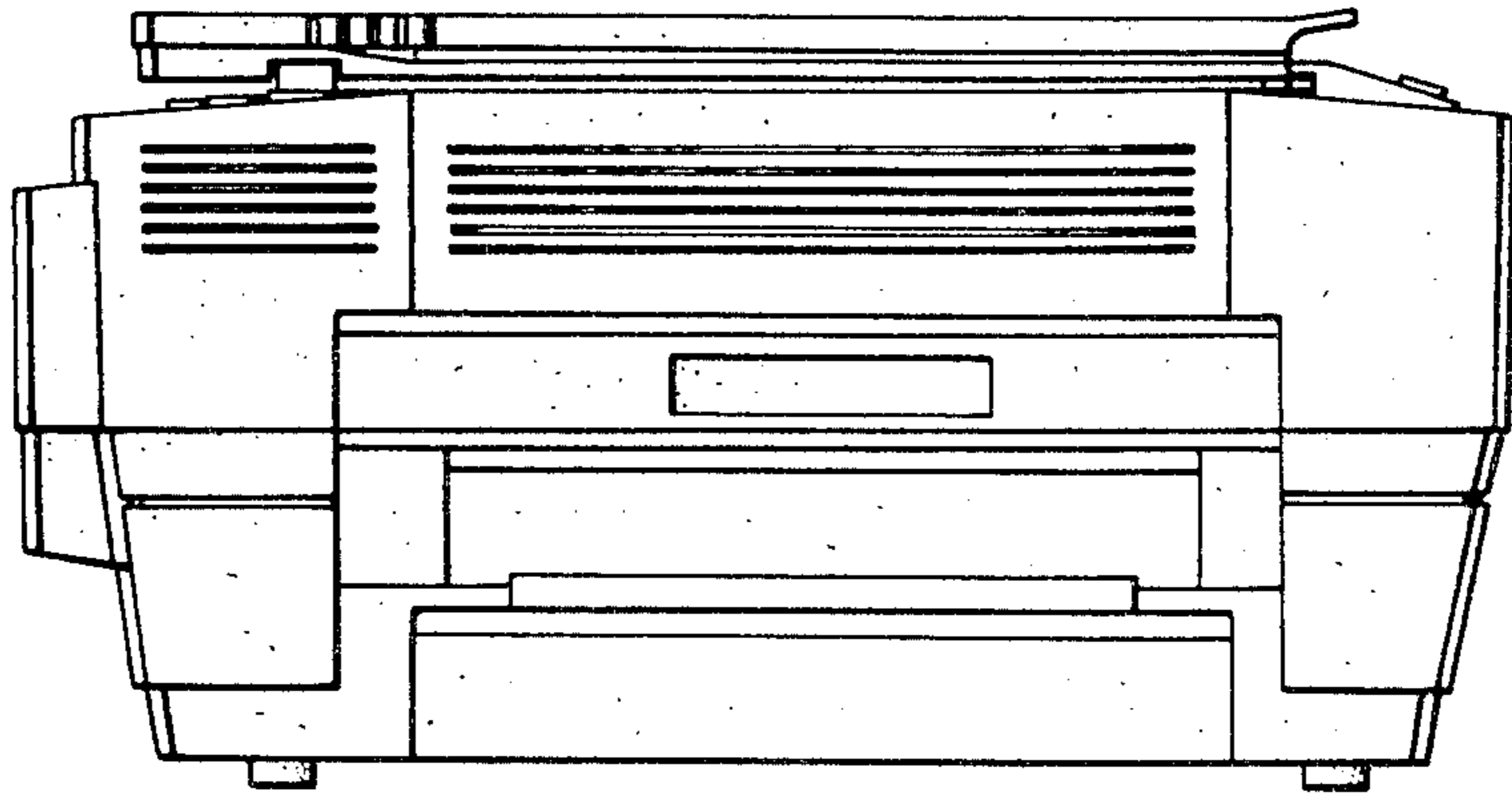


FIG. 6

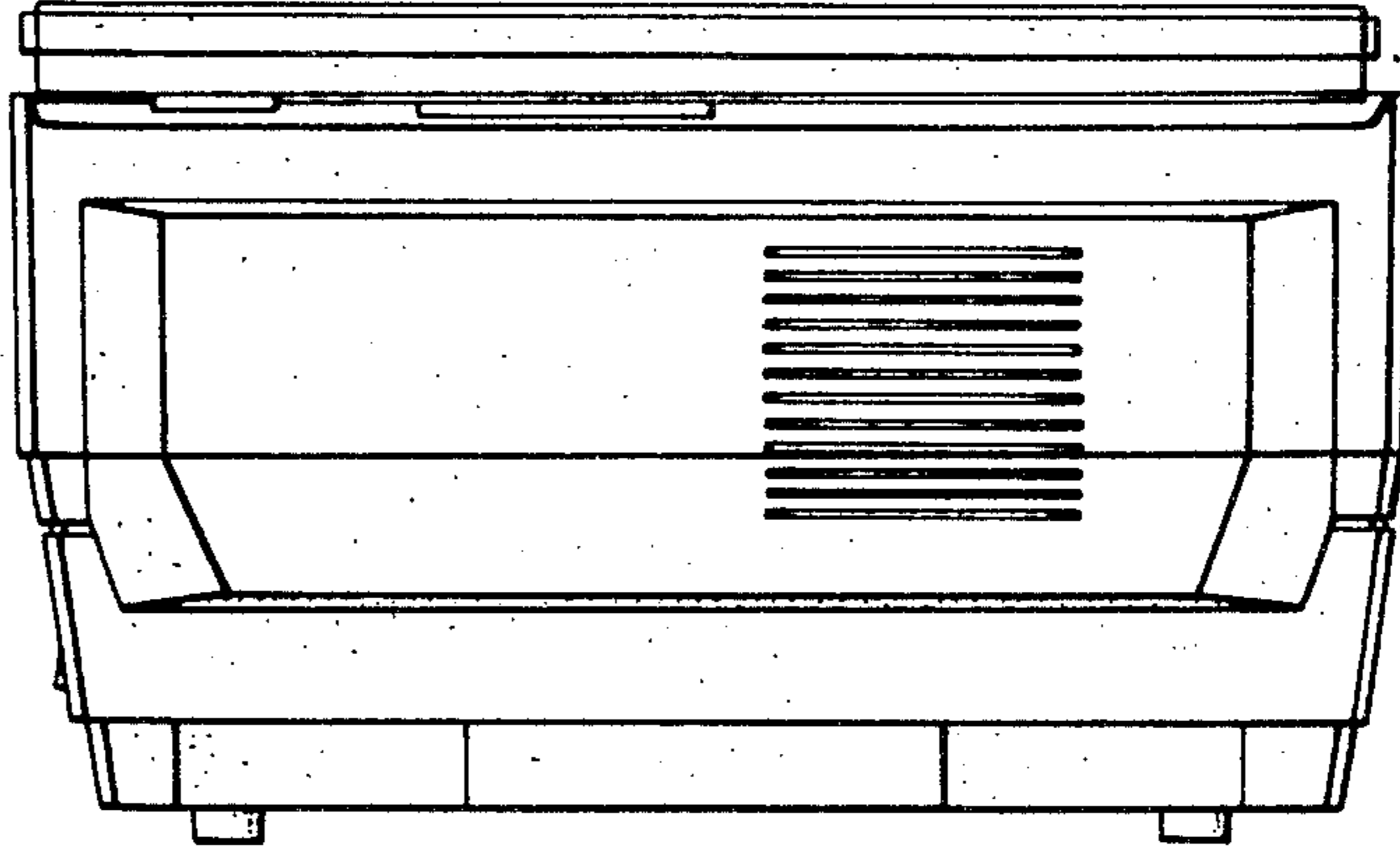


FIG. 7

