

United States Patent [19]

Roch et al.

[11] Patent Number: **Des. 292,589**

[45] Date of Patent: **** Nov. 3, 1987**

[54] **T-BED MILL**

[75] Inventors: **Gerald V. Roch**, Indianapolis, Ind.;
Rainer B. Teufel, Columbus, Ohio

[73] Assignee: **Hurco Manufacturing Co., Inc.**,
Indianapolis, Ind.

[**] Term: **14 Years**

[21] Appl. No.: **720,078**

[22] Filed: **Apr. 4, 1985**

[52] U.S. Cl. **D15/131**

[58] Field of Search **D15/131; 409/64, 206,**
409/219

[56] **References Cited**

U.S. PATENT DOCUMENTS

D. 217,390 4/1970 Larsen D15/131
D. 277,104 1/1985 Roch D15/131

D. 285,084 8/1986 Aldridge, Jr. D15/131
D. 286,294 10/1986 Itoh D15/131
3,555,963 1/1971 Evans 409/64

Primary Examiner—B. J. Bullock
Attorney, Agent, or Firm—Woodard, Emhardt,
Naughton Moriarty & McNett

[57] **CLAIM**

The ornamental design for a T-bed mill, as shown and described.

DESCRIPTION

FIG. 1 is a perspective view of a T-bed mill showing our new design;

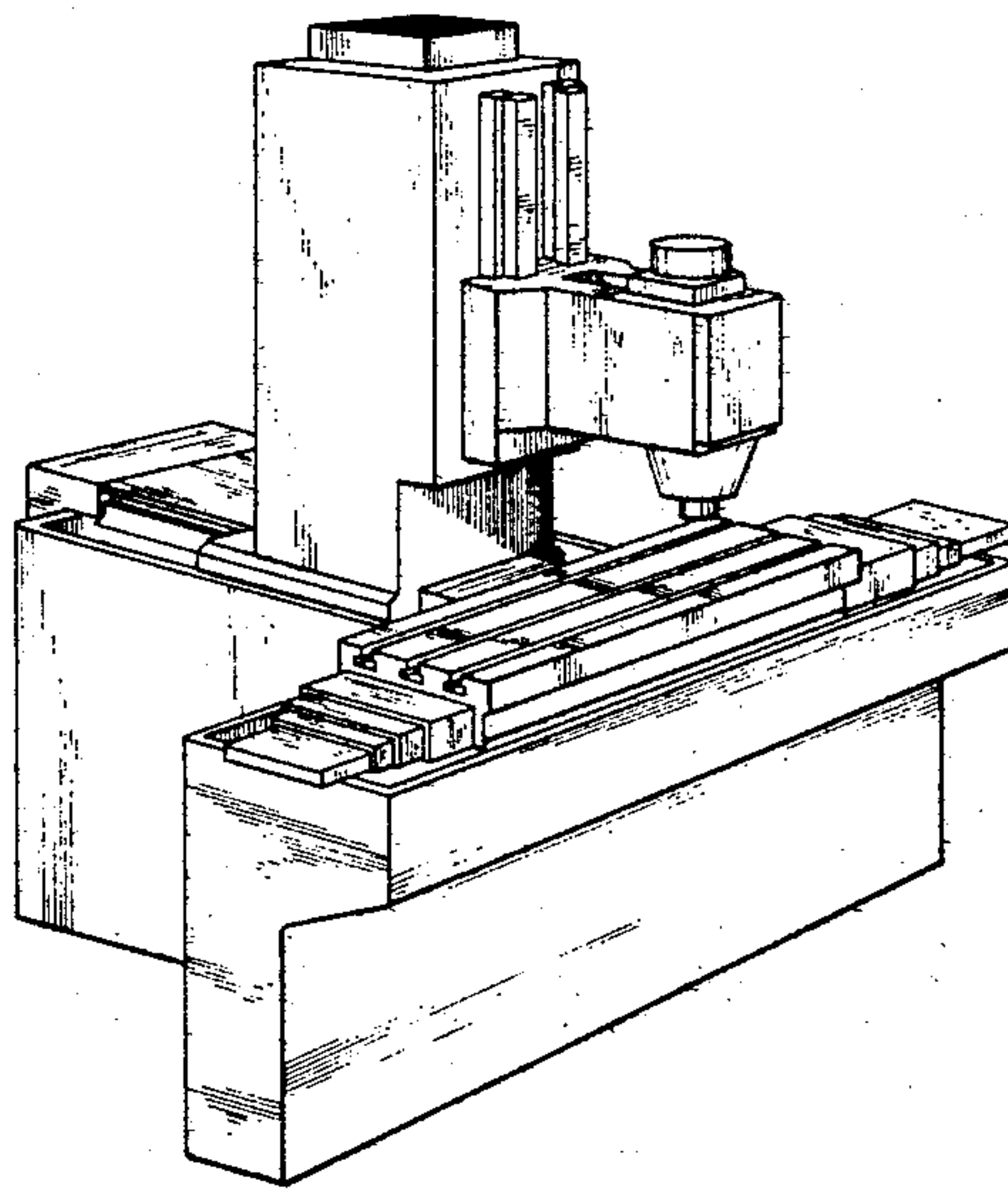
FIG. 2 is a left side elevational view thereof;

FIG. 3 is a front elevational view thereof.

FIG. 4 is a rear elevational view thereof.

FIG. 5 is a right side elevational view thereof;

FIG. 6 is a top plan view thereof.



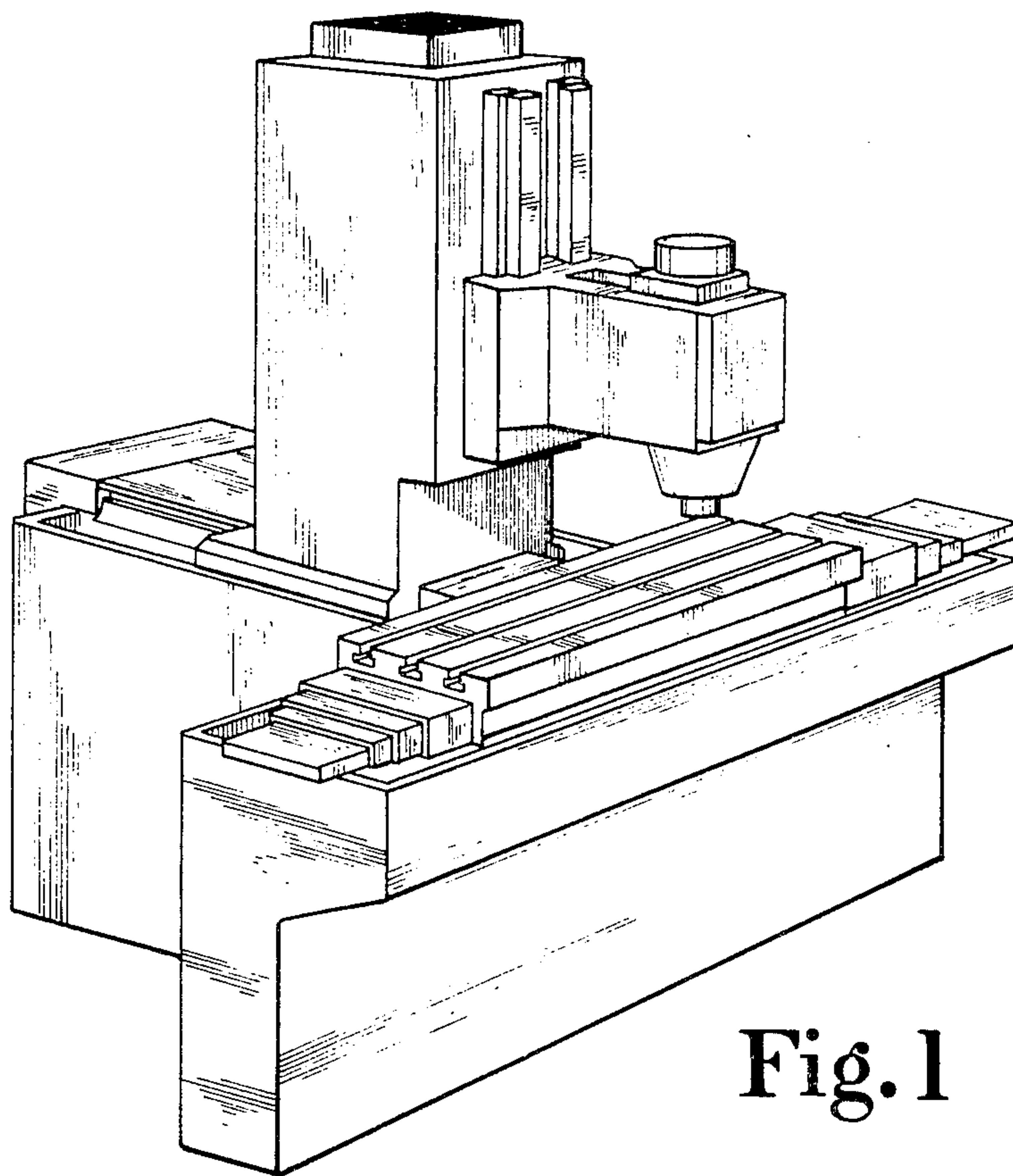


Fig. 1

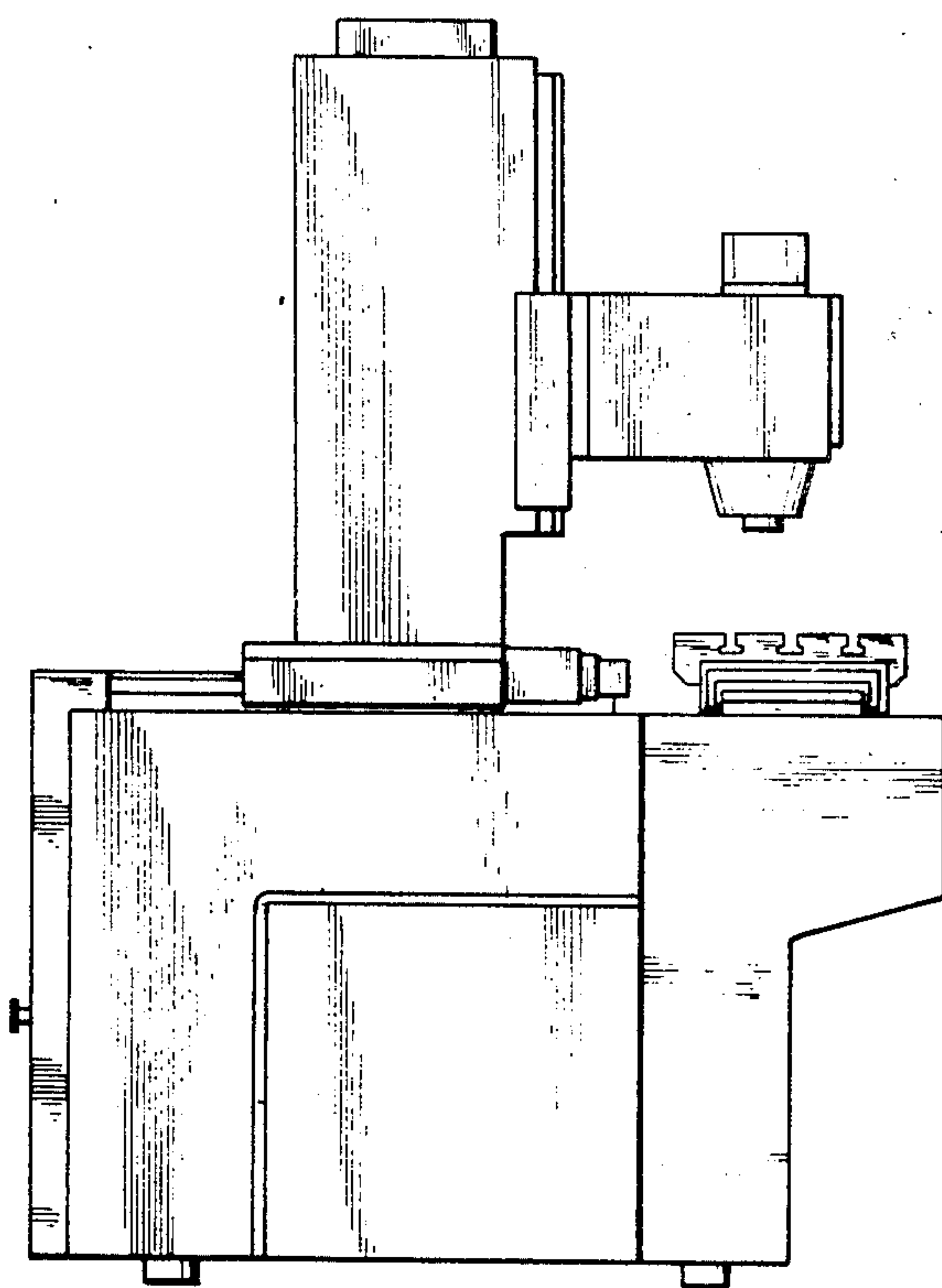


Fig. 2

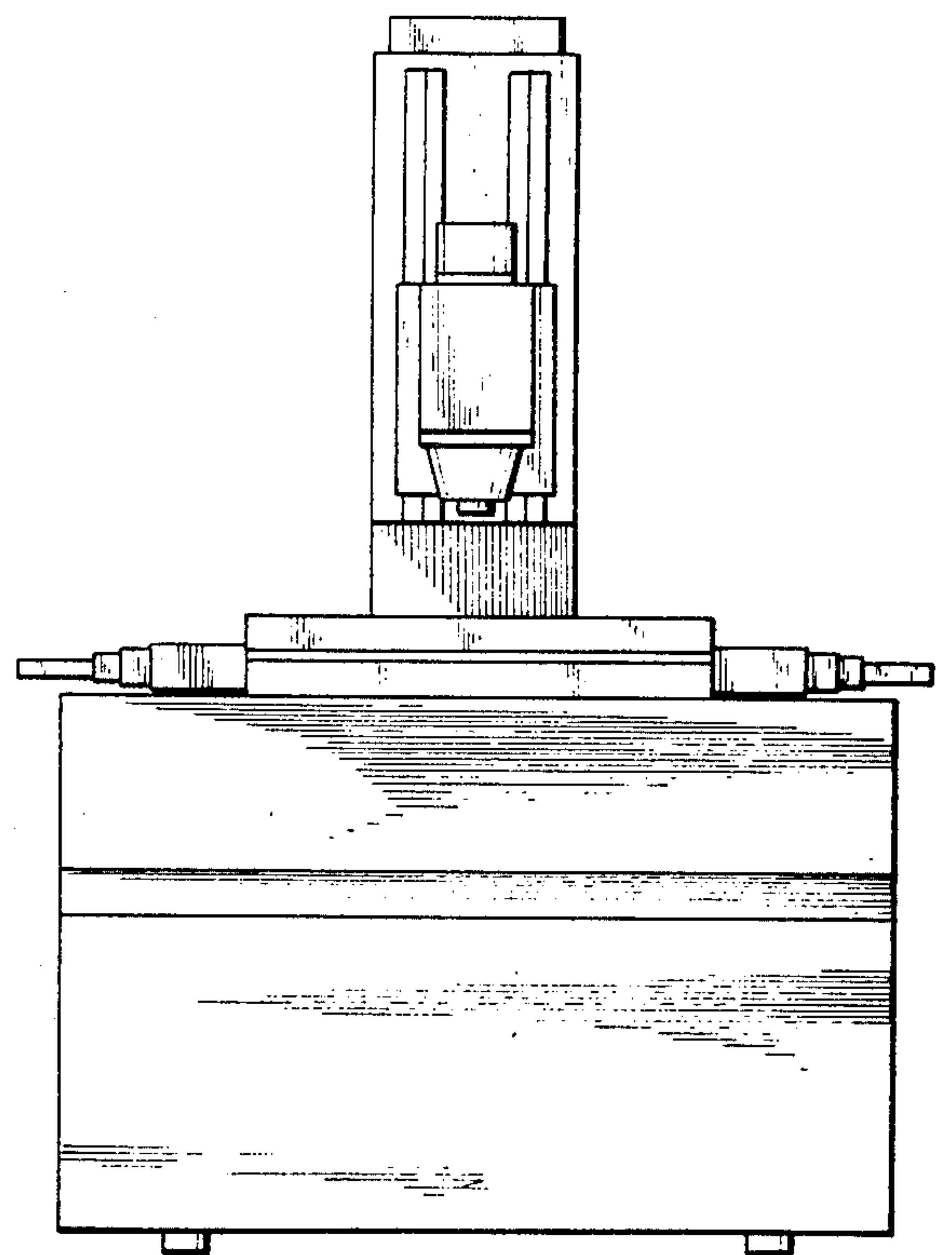


Fig. 3

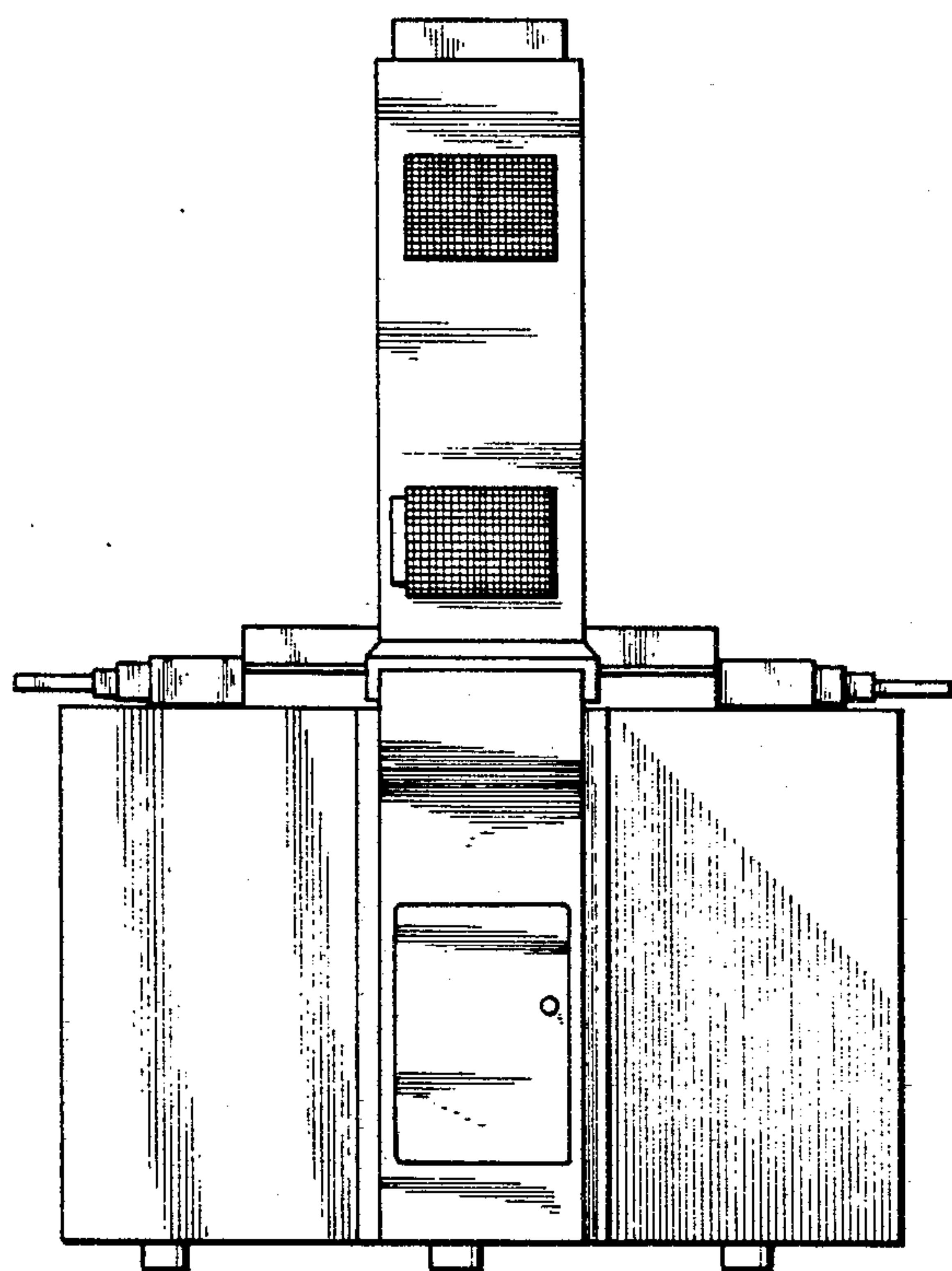


Fig. 4

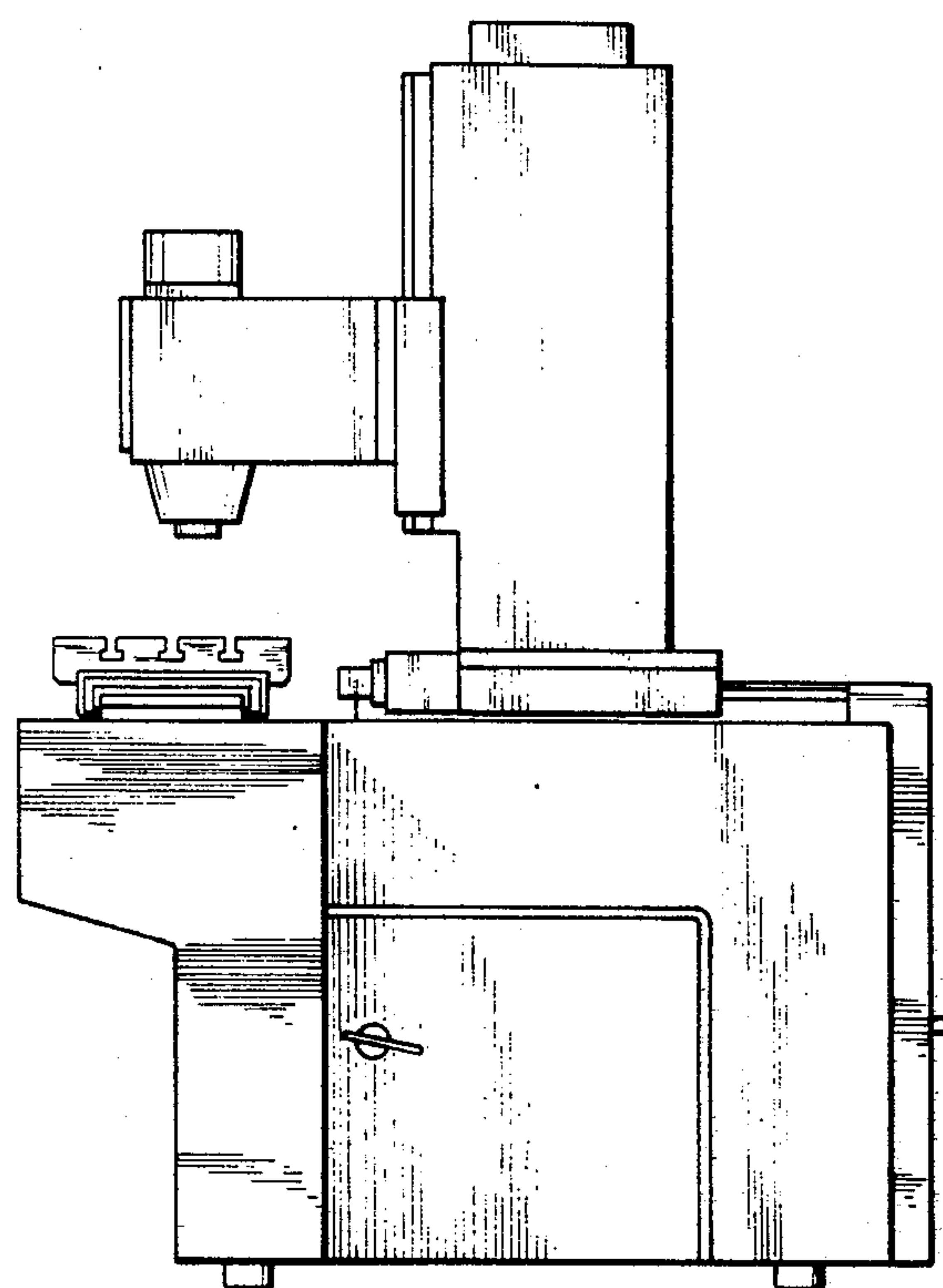


Fig. 5

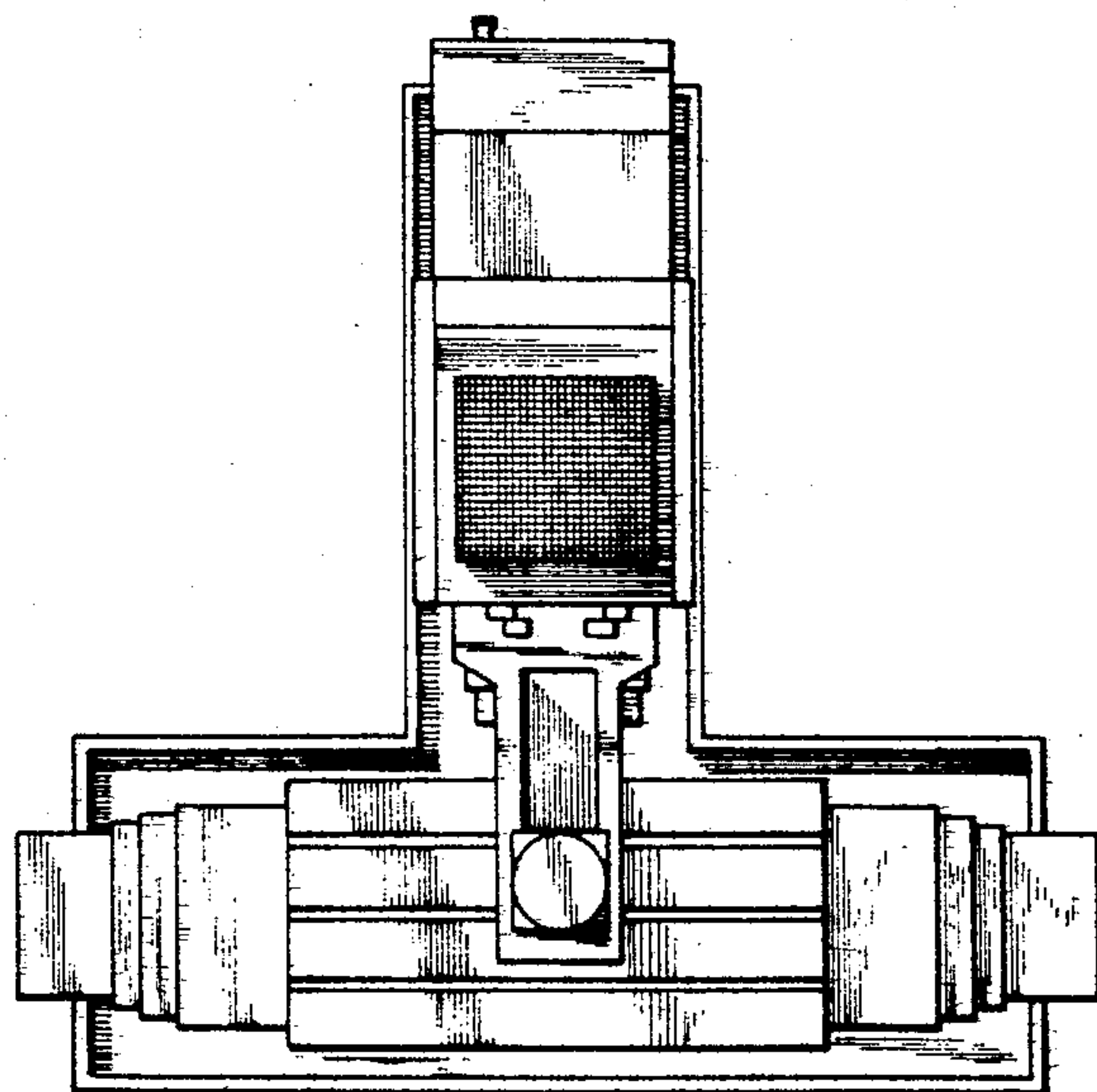


Fig. 6