

# United States Patent [19]

Uchida

[11] Patent Number: **Des. 292,588**

[45] Date of Patent: **\*\* Nov. 3, 1987**

[54] SEWING MACHINE

[75] Inventor: **Koji Uchida, Hachioji, Japan**

[73] Assignee: **Janome Sewing Machine Co. Ltds., Tokyo, Japan**

[\*\*] Term: **14 Years**

[21] Appl. No.: **714,108**

[22] Filed: **Mar. 20, 1985**

[30] Foreign Application Priority Data

Dec. 10, 1984 [JP] Japan ..... 59-50383

[52] U.S. Cl. .... **D15/69; D15/70**

[58] Field of Search ..... **D15/69, 70; 112/63, 112/258-261**

[56] References Cited

### U.S. PATENT DOCUMENTS

D. 224,574 8/1972 Yamamoto ..... D15/69

3,552,340 1/1971 Fresard ..... 112/63 X  
3,858,954 1/1975 Hetterich ..... 112/258 X  
4,044,700 8/1977 Aeschliman ..... 112/258 X

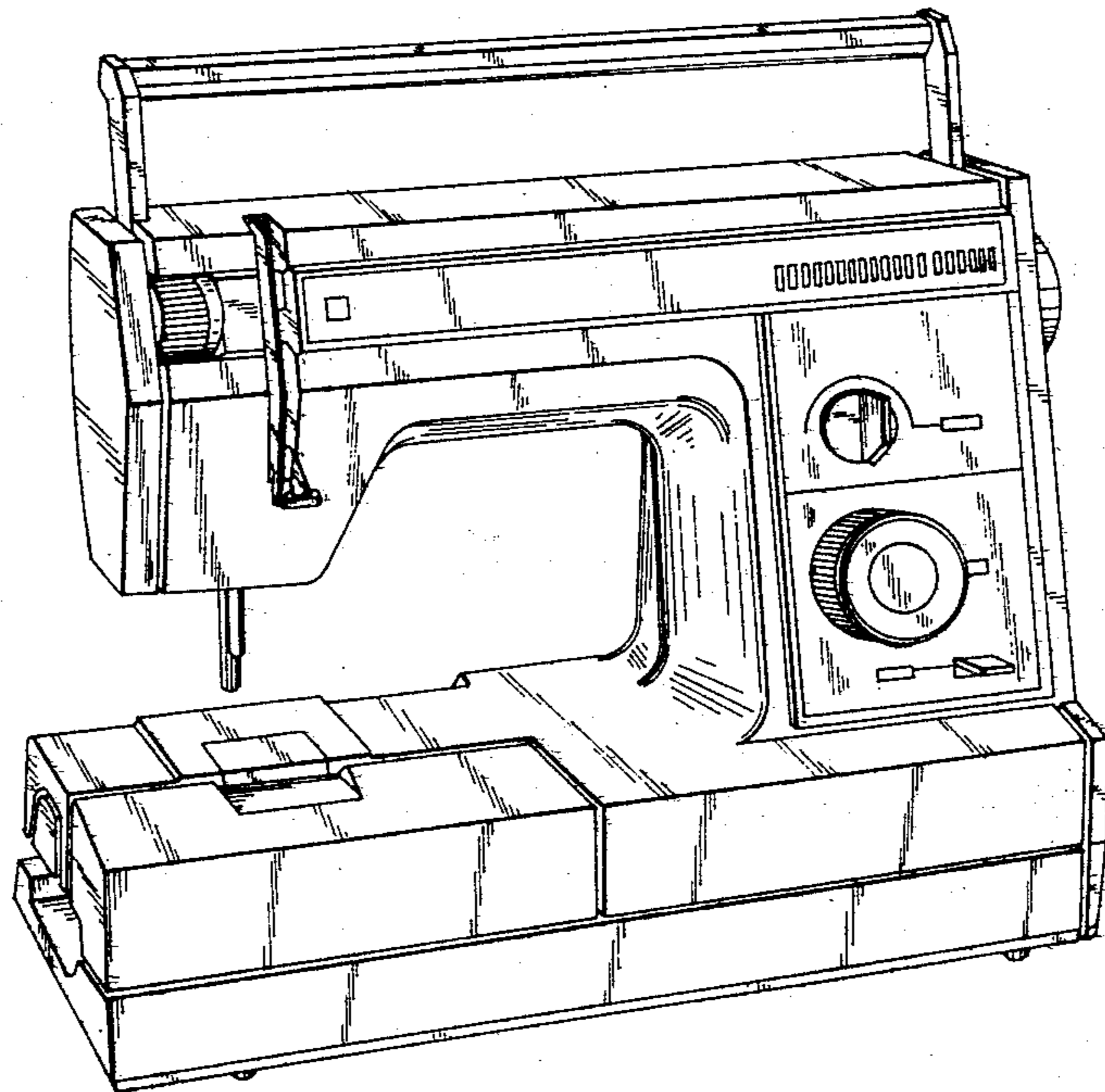
*Primary Examiner*—Bernard Ansher  
*Assistant Examiner*—Linda Titolo  
*Attorney, Agent, or Firm*—Michael J. Striker

### [57] CLAIM

The ornamental design for a sewing machine, substantially as shown and described.

### DESCRIPTION

FIG. 1 is a front perspective view of a sewing machine, showing my new design;  
FIG. 2 is a front elevational view thereof;  
FIG. 3 is a rear elevational view thereof;  
FIG. 4 is a top plan view thereof;  
FIG. 5 is a left side elevational view thereof;  
FIG. 6 is a right side elevational view thereof; and  
FIG. 7 is a bottom plan view thereof.



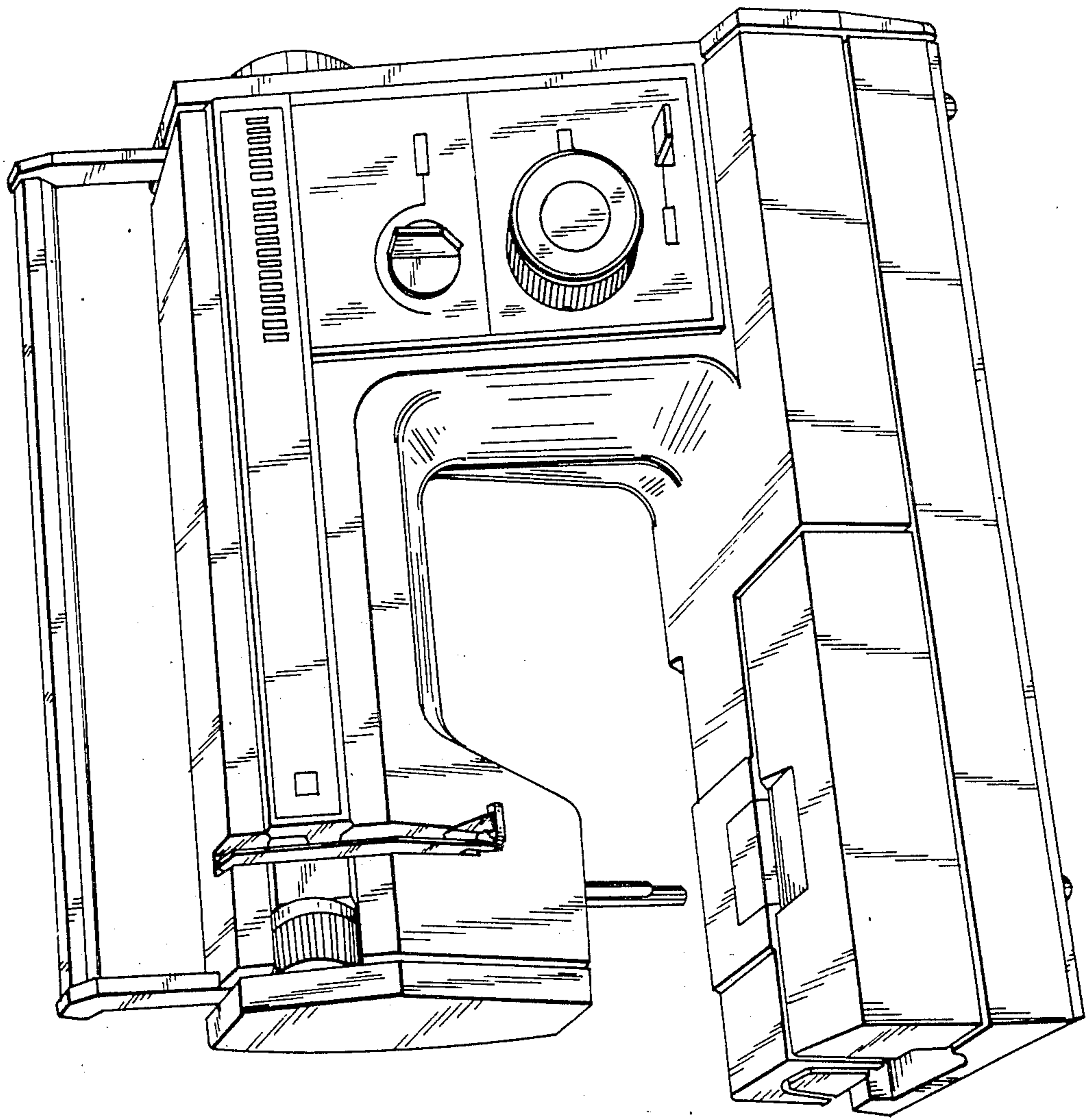


FIG. 1

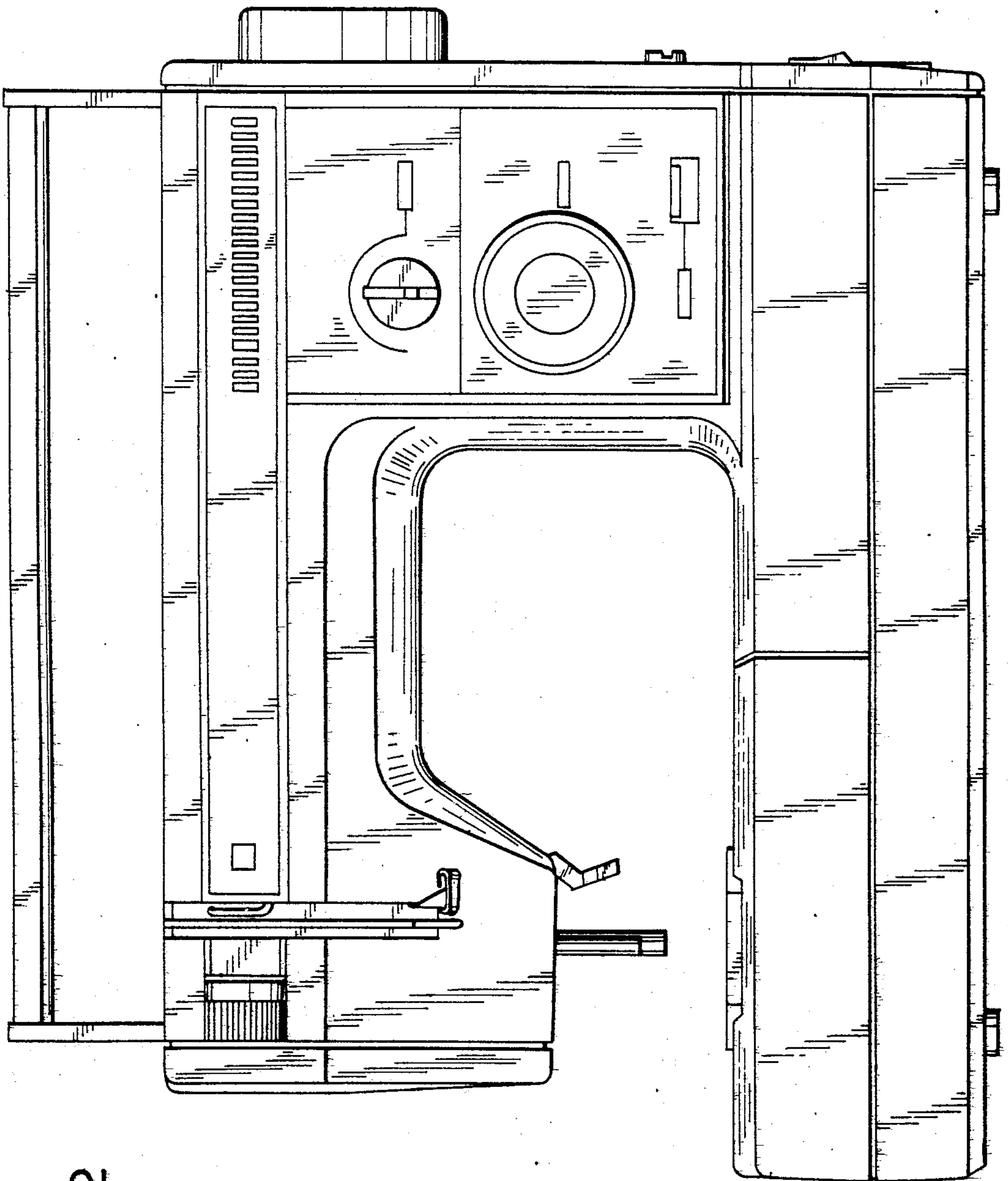


FIG. 2

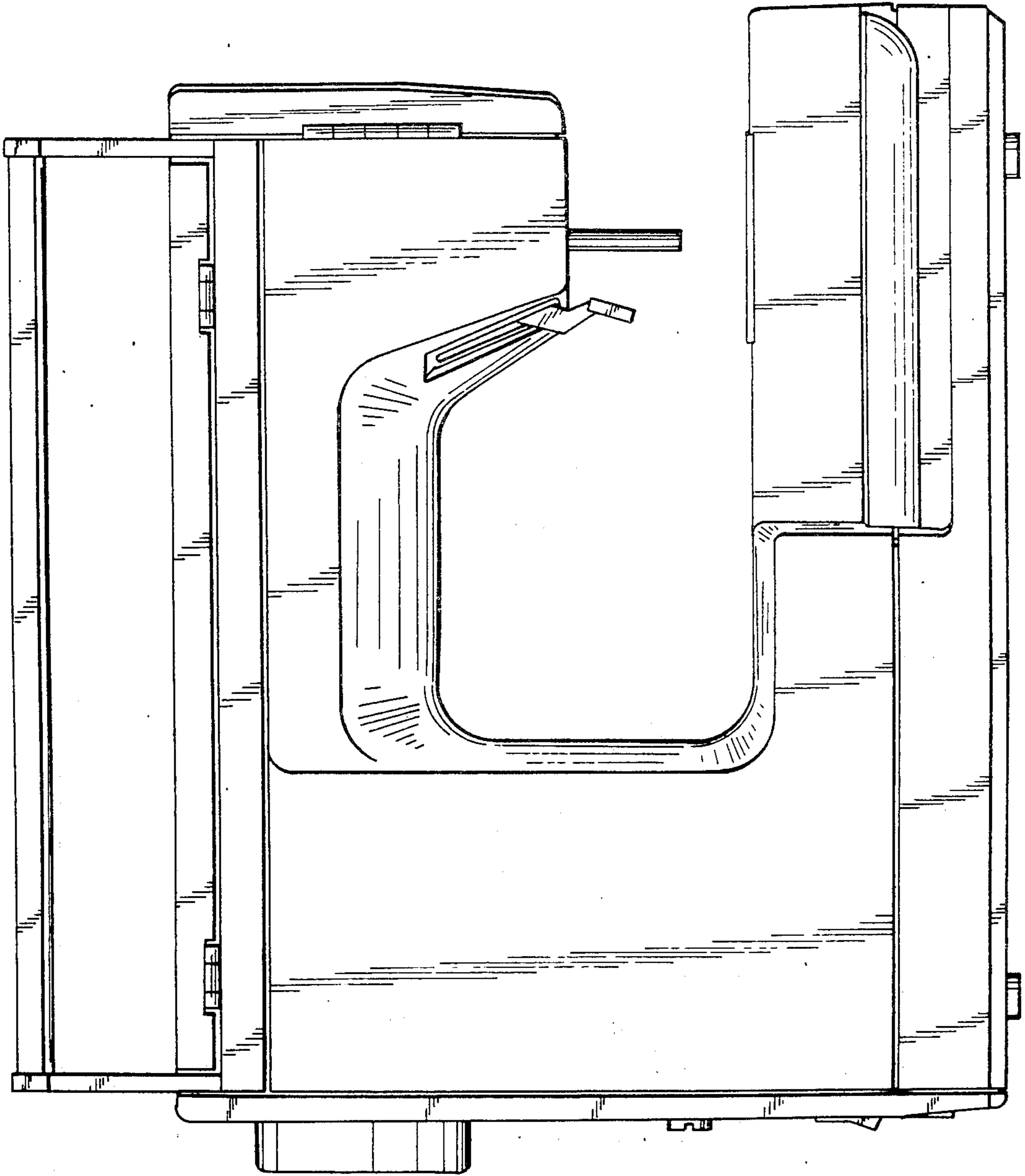


FIG. 3

FIG. 4

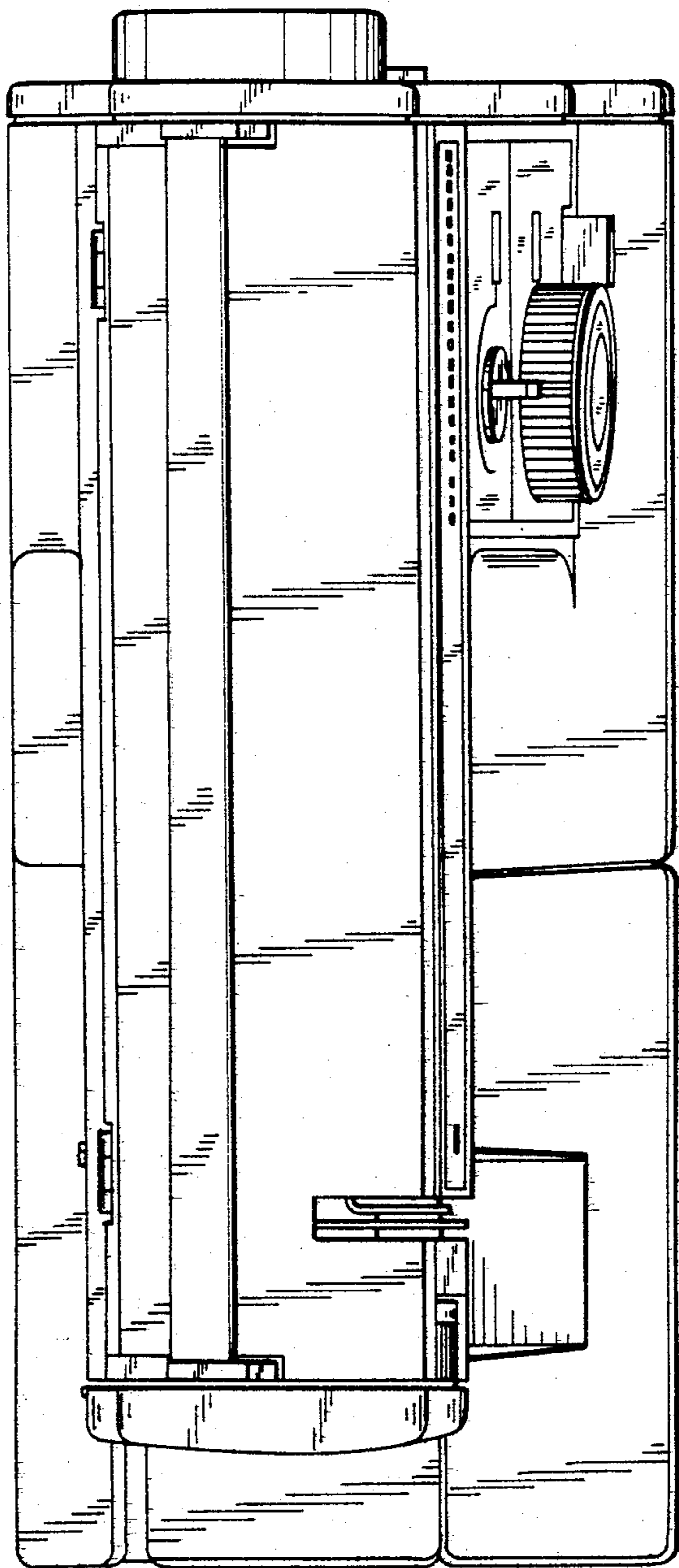


FIG. 5

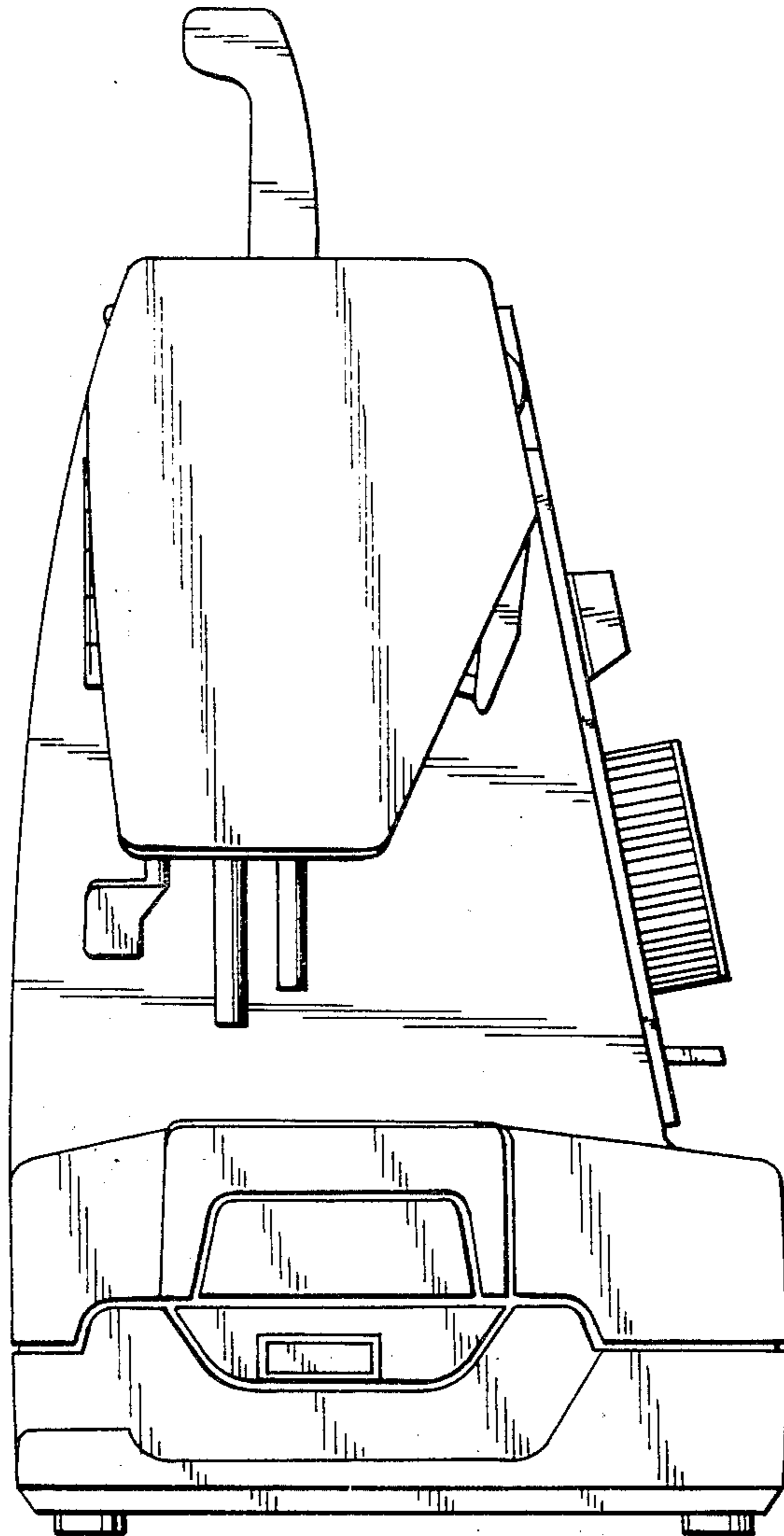


FIG. 6

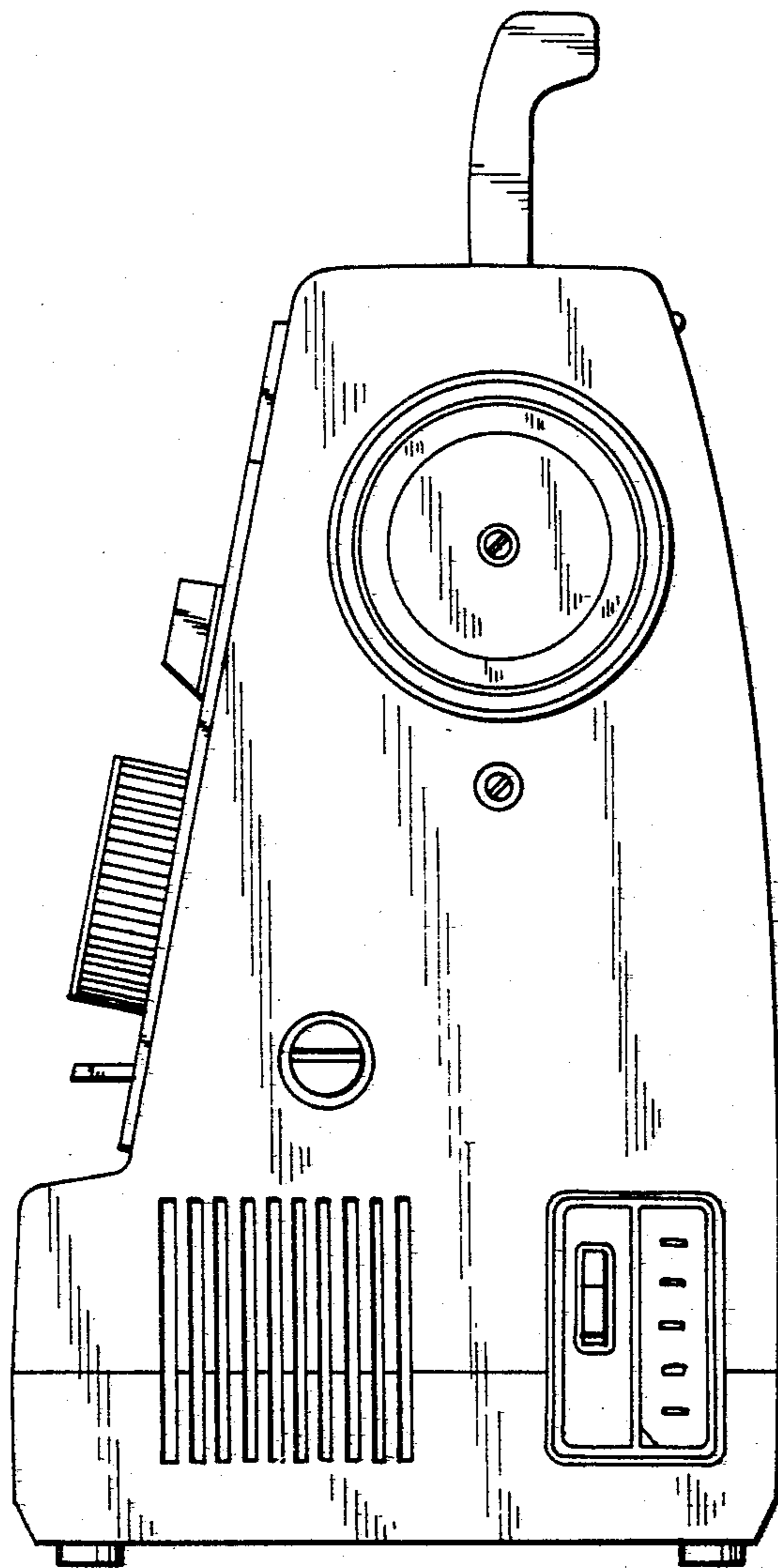


FIG. 7

