

[54] **FACSIMILE RECEIVER**

[75] **Inventors:** David G. Rutherford, North Caldwell; Bernd Helling, Old Bridge; David M. Shearn, Somerset; David Shaler, Madison, all of N.J.

[73] **Assignee:** The Associated Press, East Brunswick, N.J.

[**] **Term:** 14 Years

[21] **Appl. No.:** 741,240

[22] **Filed:** Jun. 4, 1985

[52] **U.S. Cl.** D14/94

[58] **Field of Search** D14/94, 99; D16/27, D16/30, 31, 32; 358/256, 285, 286

[56] **References Cited**

U.S. PATENT DOCUMENTS

- D. 267,878 2/1983 Hosogai et al. D14/94
- D. 267,946 2/1983 Kosako et al. D14/94

OTHER PUBLICATIONS

N.E.C. America, Inc. Brochure, System III-T Thermal Facsimile.

Telautograph Corporation Brochure, Omnifax G96.

Primary Examiner—Bernard Ansher

Assistant Examiner—Theodore M. Shooman

Attorney, Agent, or Firm—Arthur L. Lessler

[57] **CLAIM**

The ornamental design for a facsimile receiver, as shown and described.

DESCRIPTION

FIG. 1 is a top, front and right side perspective view of a facsimile receiver showing our new design;

FIG. 2 is a front elevational view thereof;

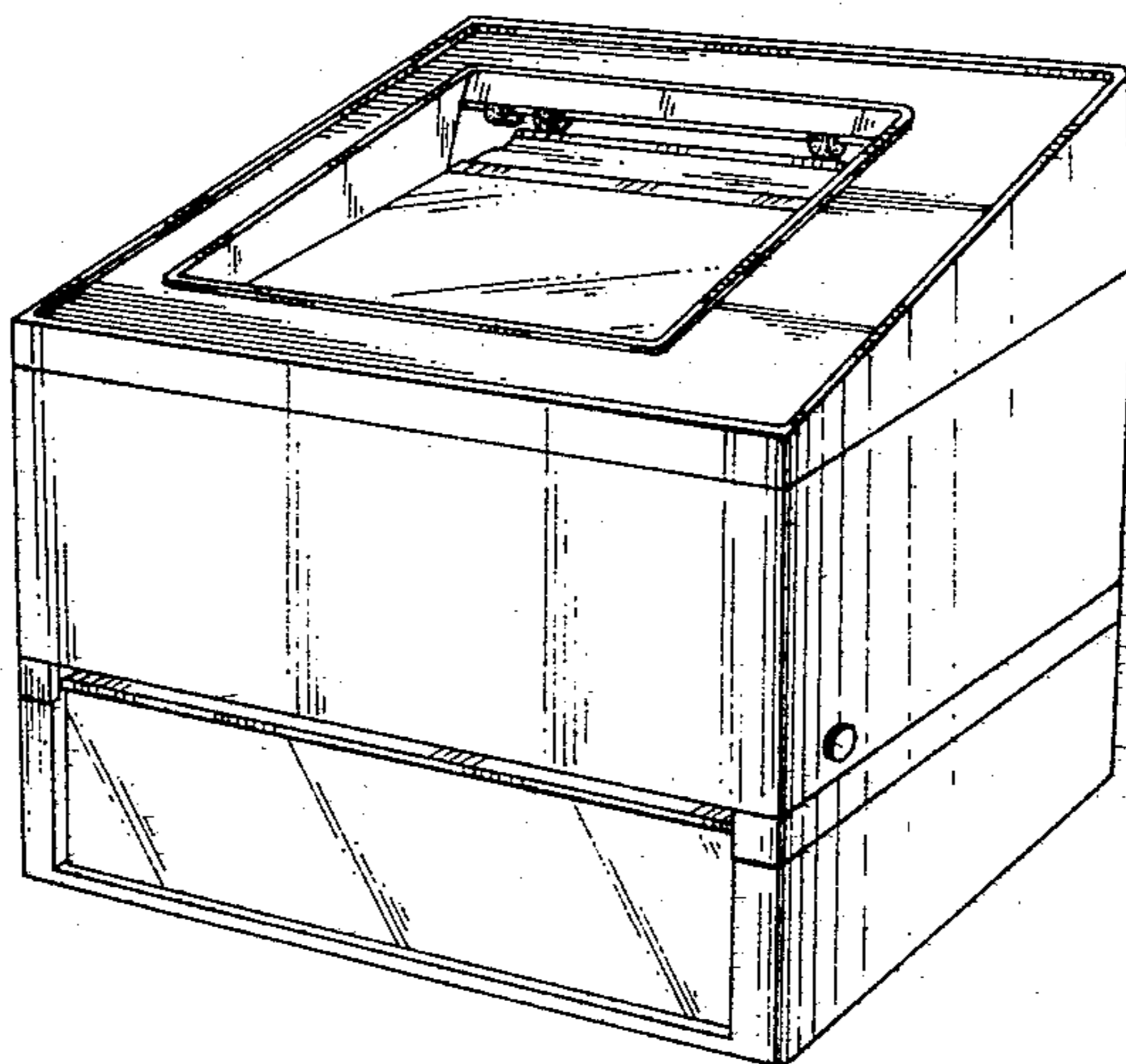
FIG. 3 is a rear elevational view thereof;

FIG. 4 is a left side elevational view thereof, the right side being a mirror image;

FIG. 5 is a top plan view thereof;

FIG. 6 is a bottom plan view thereof; and,

FIG. 7 is a top, front and right side perspective view thereof, shown with the top and electronic component drawer in an open position.



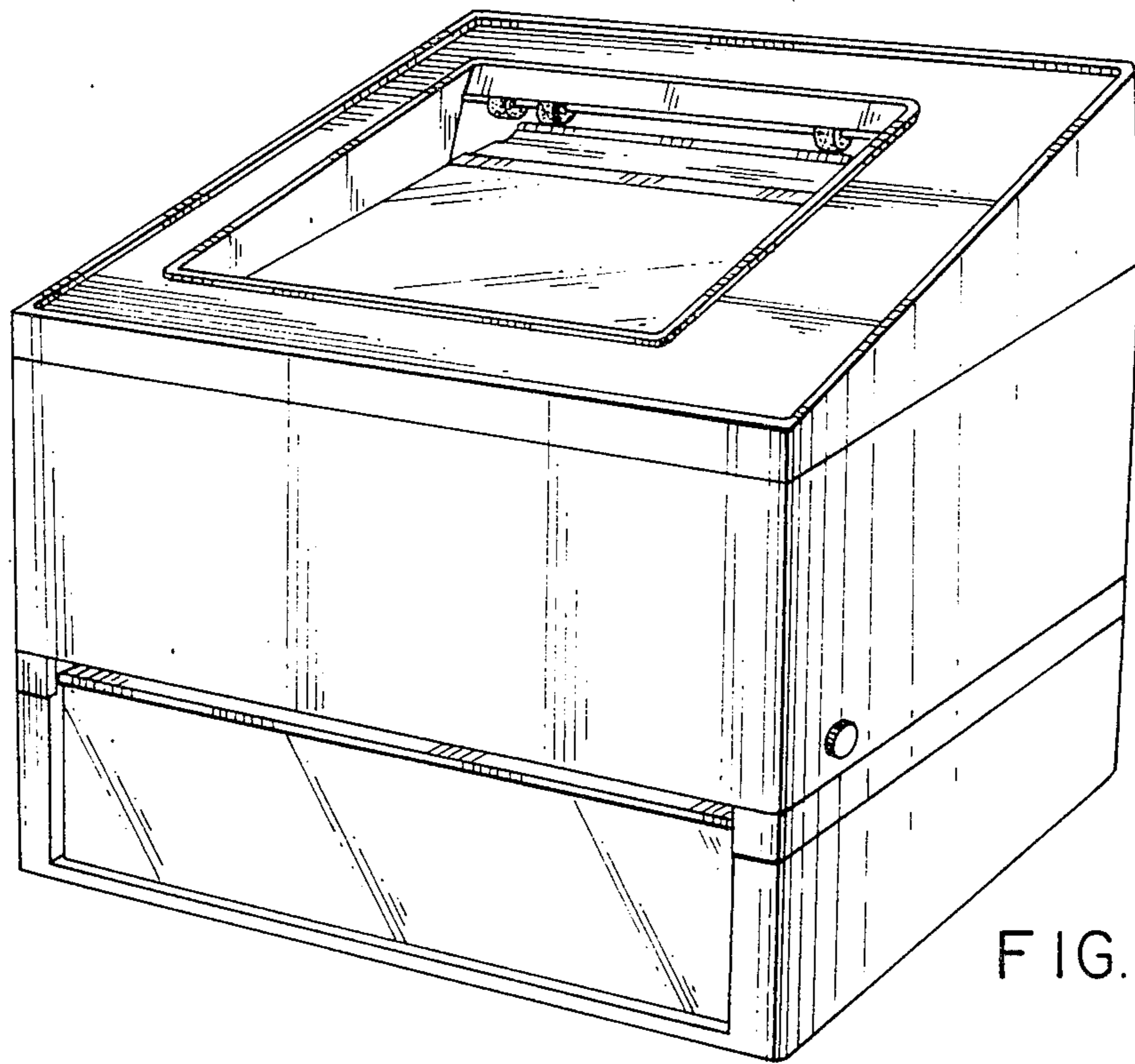


FIG. 1

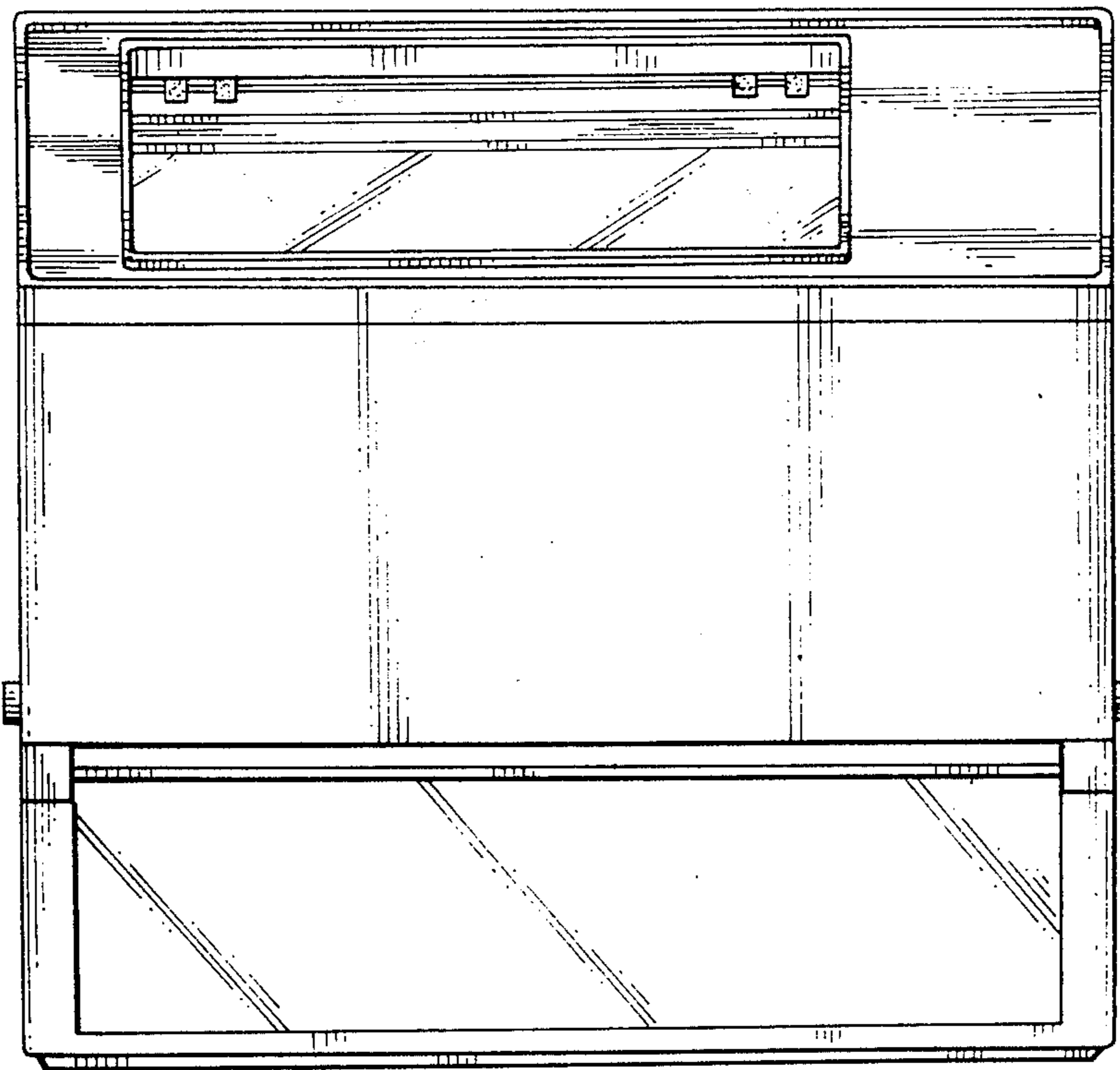


FIG. 2

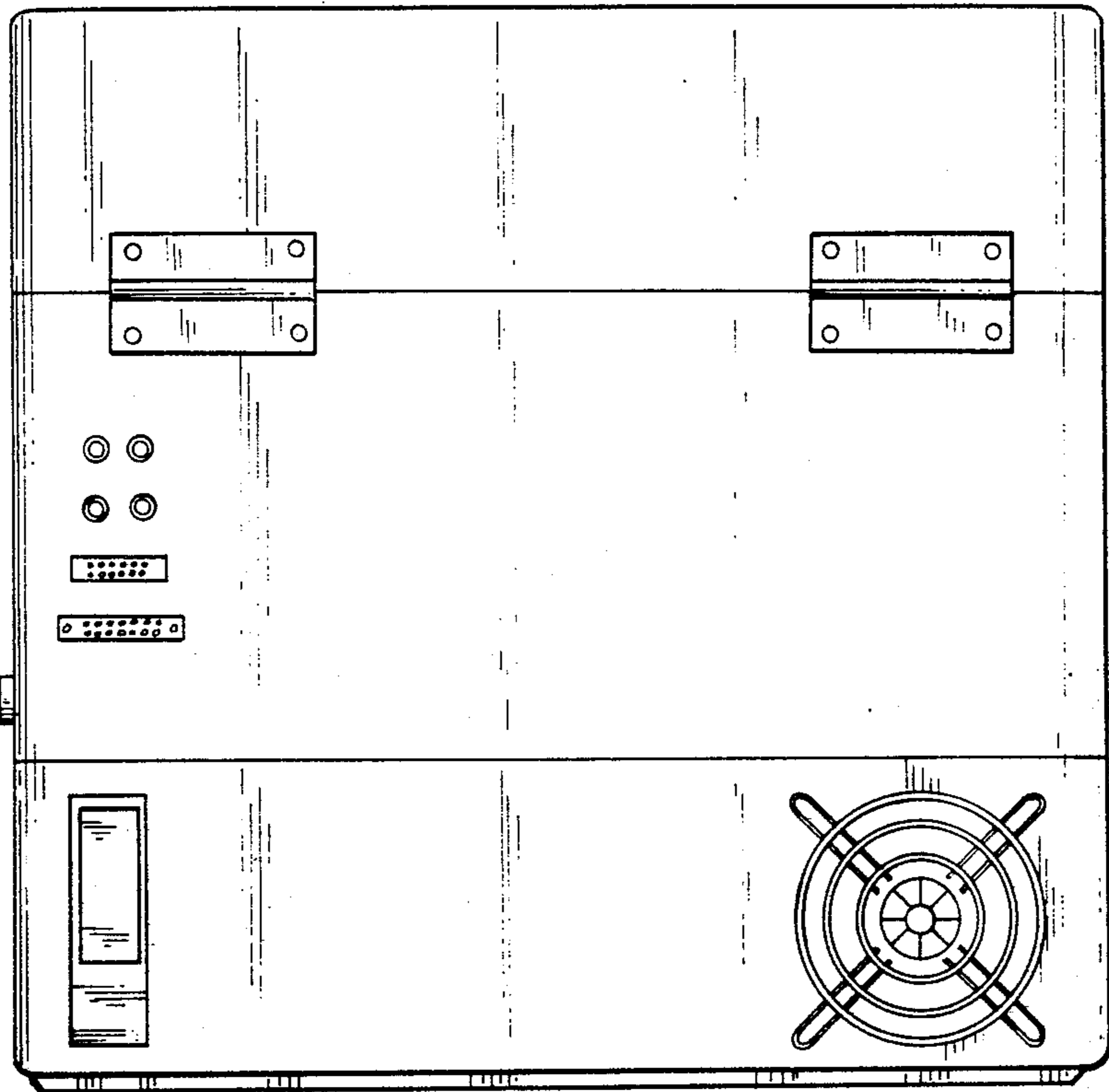


FIG. 3

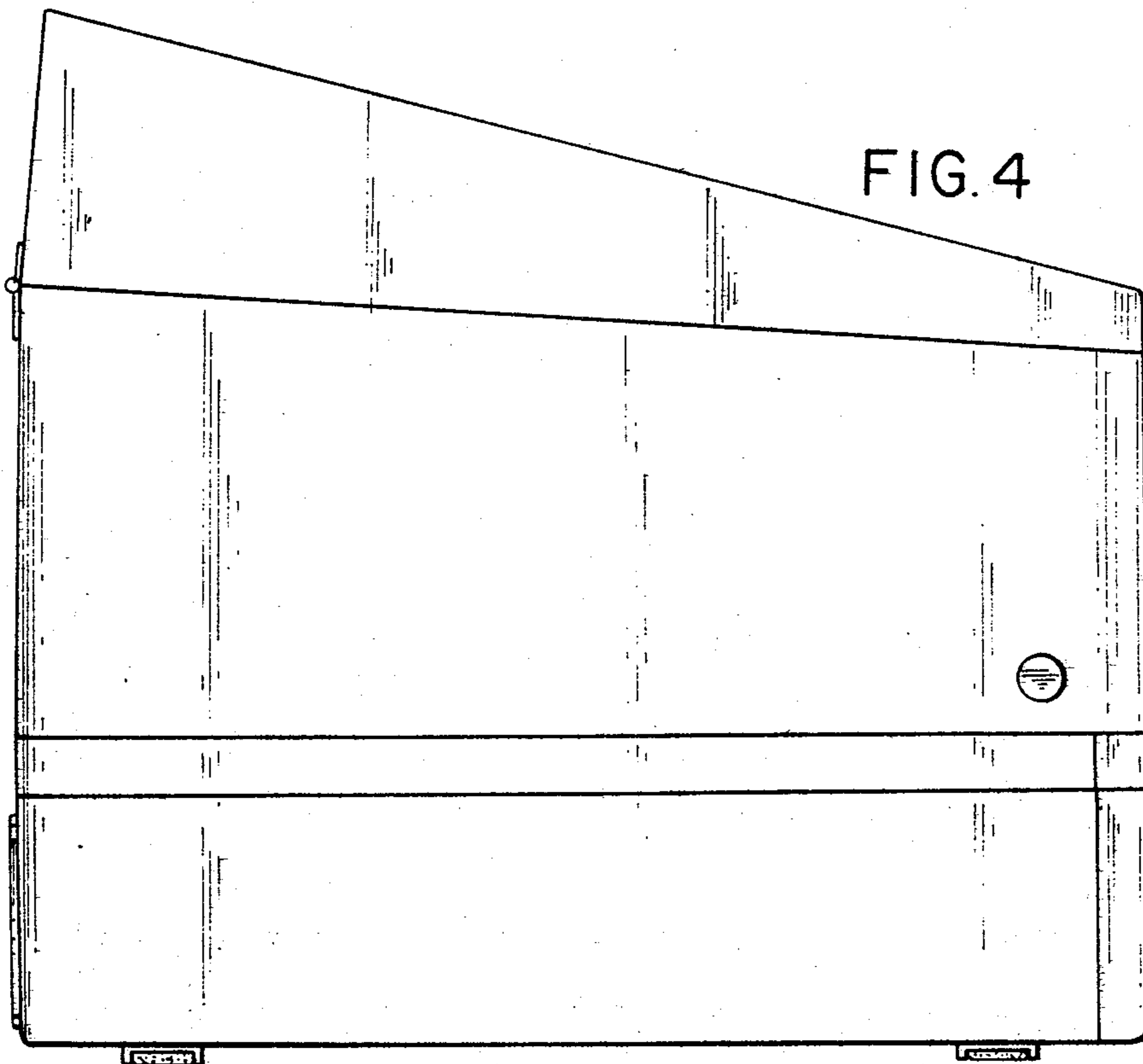


FIG. 4

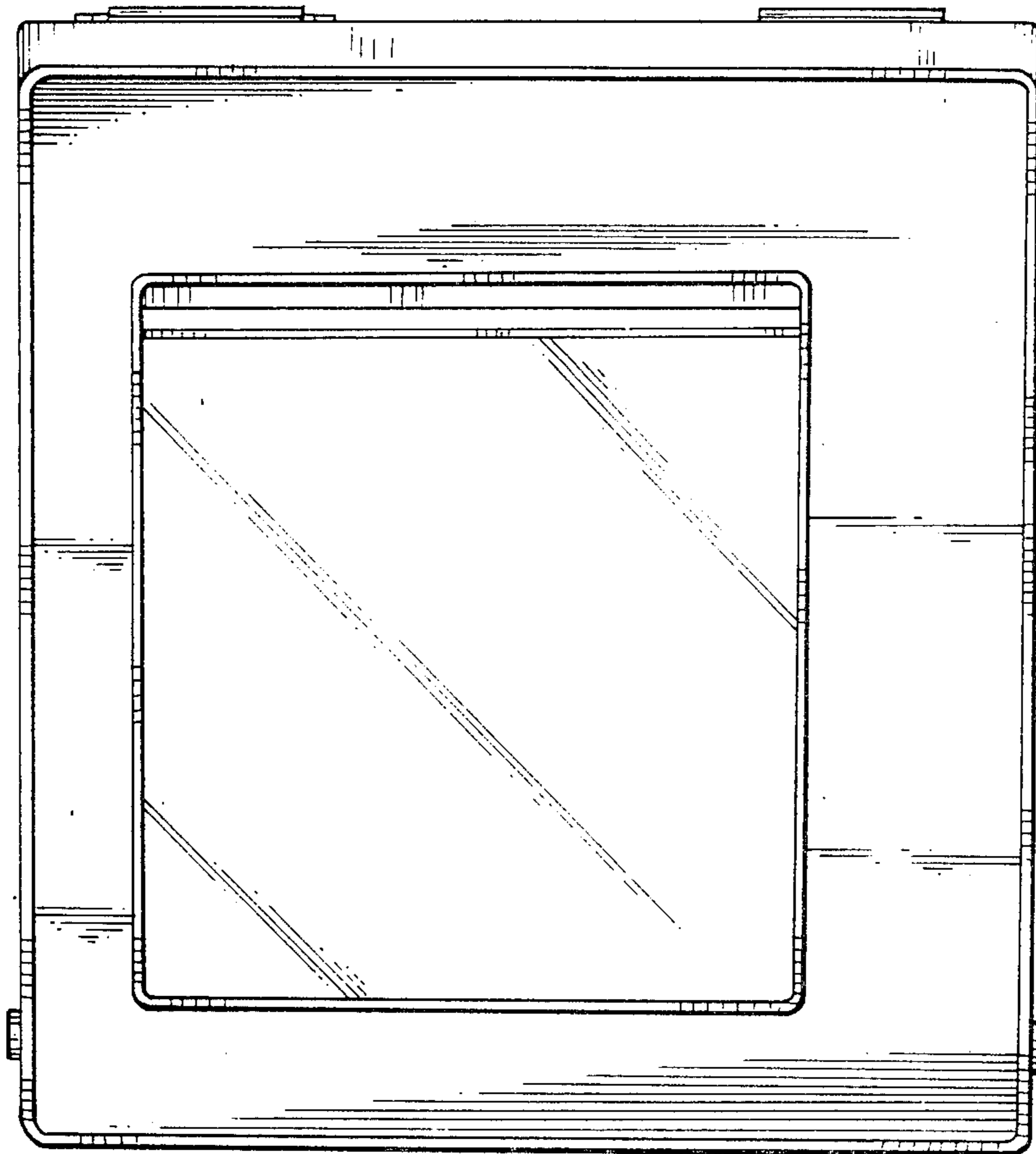


FIG. 5

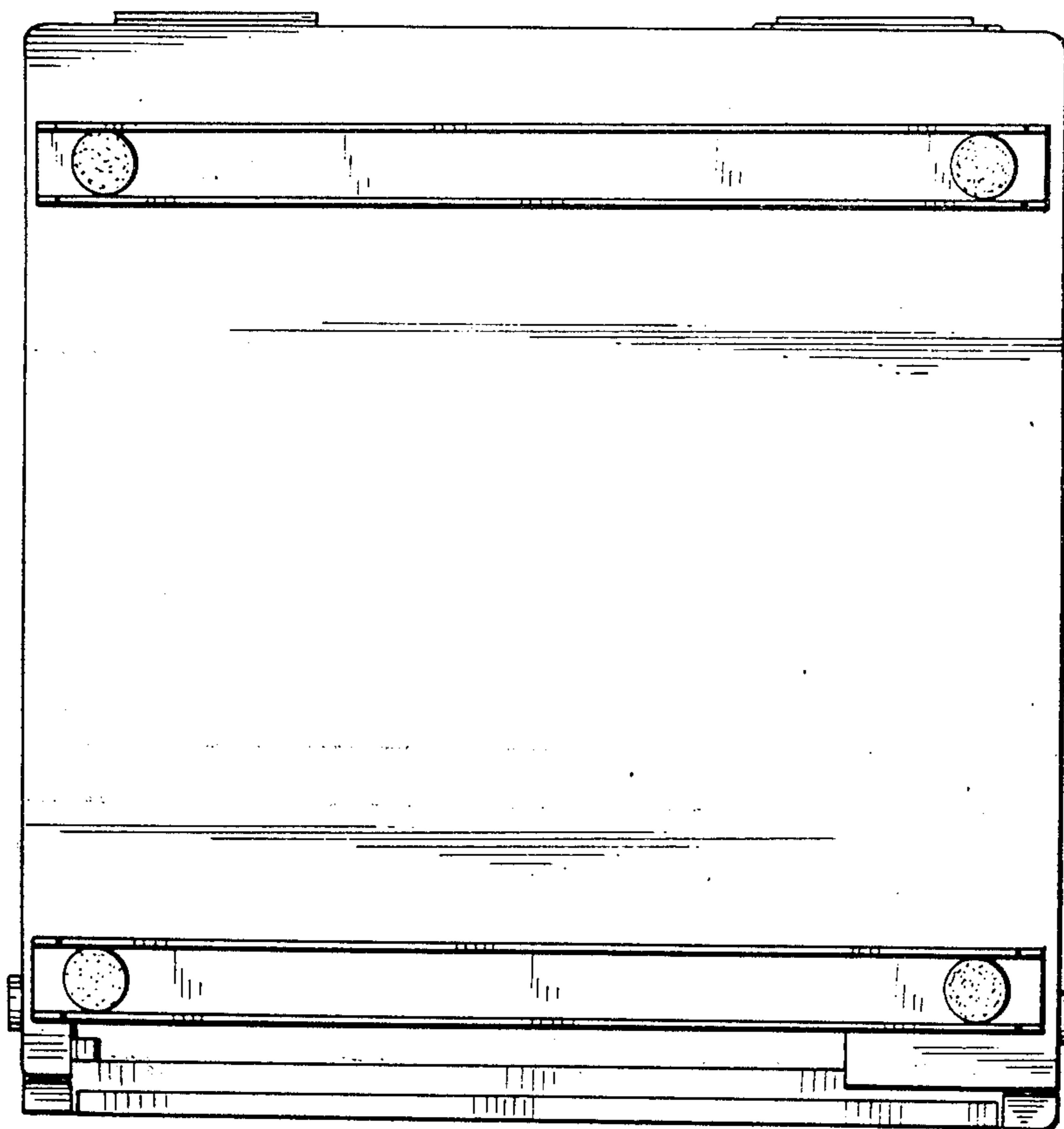


FIG. 6

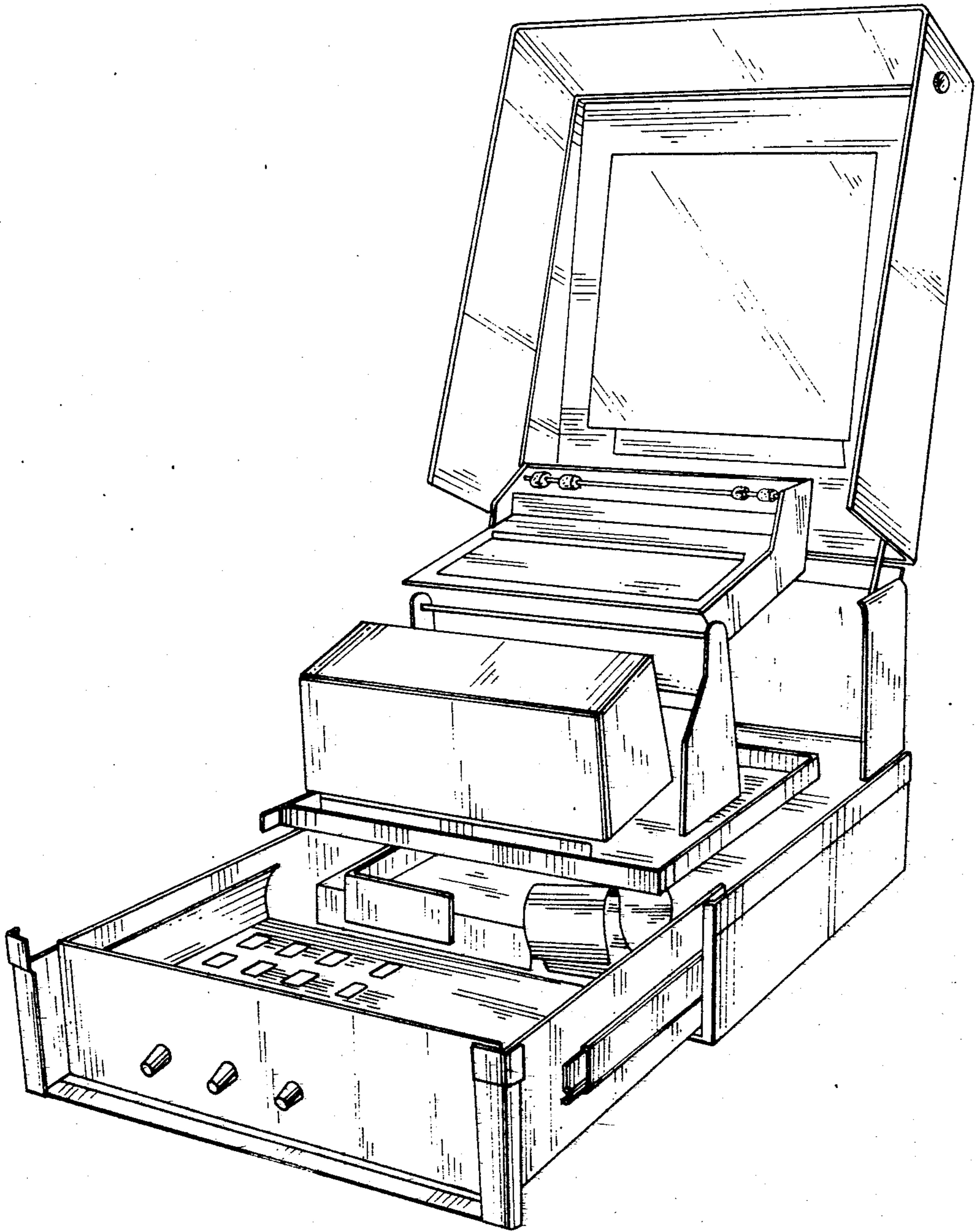


FIG. 7