

[54] PORTABLE RADIO RECEIVER

D. 279,098 6/1985 Brandsma D14/70

[75] Inventor: Sies K. Brandsma, Eersel, Netherlands

[73] Assignee: U.S. Philips Corporation, New York, N.Y.

[**] Term: 14 Years

[21] Appl. No.: 725,974

[22] Filed: Apr. 22, 1985

[30] Foreign Application Priority Data

Nov. 7, 1984 [GB] United Kingdom 1.023.139

[52] U.S. Cl. D14/70; D14/68

[58] Field of Search D14/68, 69, 70, 71, D14/72, 75, 76, 95, 99; 455/344, 350, 351

[56] References Cited

U.S. PATENT DOCUMENTS

- D. 262,017 11/1981 Frakes, Jr. D14/70 X
- D. 262,621 1/1982 Nakamura et al. D14/70 X
- D. 263,221 3/1982 Hisano et al. D14/72 X

OTHER PUBLICATIONS

Evans 1984-85 Catalog, p. 321-Item #7, AM/FM/FM Stereo Portable Radio.

Primary Examiner—Bernard Ansher
Assistant Examiner—Theodore M. Shooman
Attorney, Agent, or Firm—Thomas A. Briody; William J. Streeter; Rolf E. Schneider

[57] CLAIM

The ornamental design for a portable radio receiver, as shown.

DESCRIPTION

FIG. 1 is a front; top and right side perspective view of a portable radio receiver showing my new design; FIG. 2 is a front elevational view thereof; FIG. 3 is a rear elevational view thereof; FIG. 4 is a top plan view thereof; FIG. 5 is a bottom plan view thereof; FIG. 6 is a right side elevational view thereof; and FIG. 7 is a left side elevational view thereof.

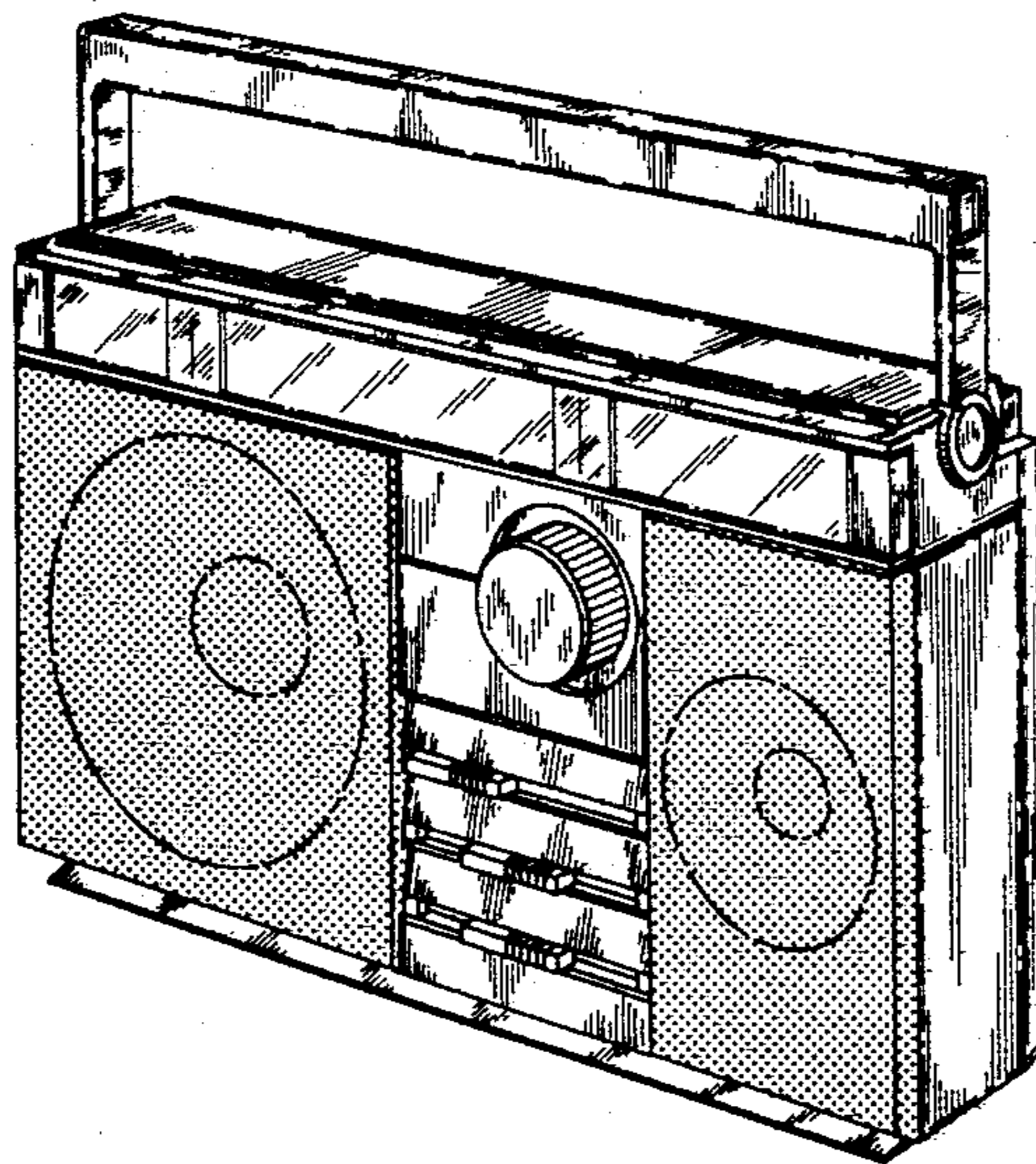


FIG. 1

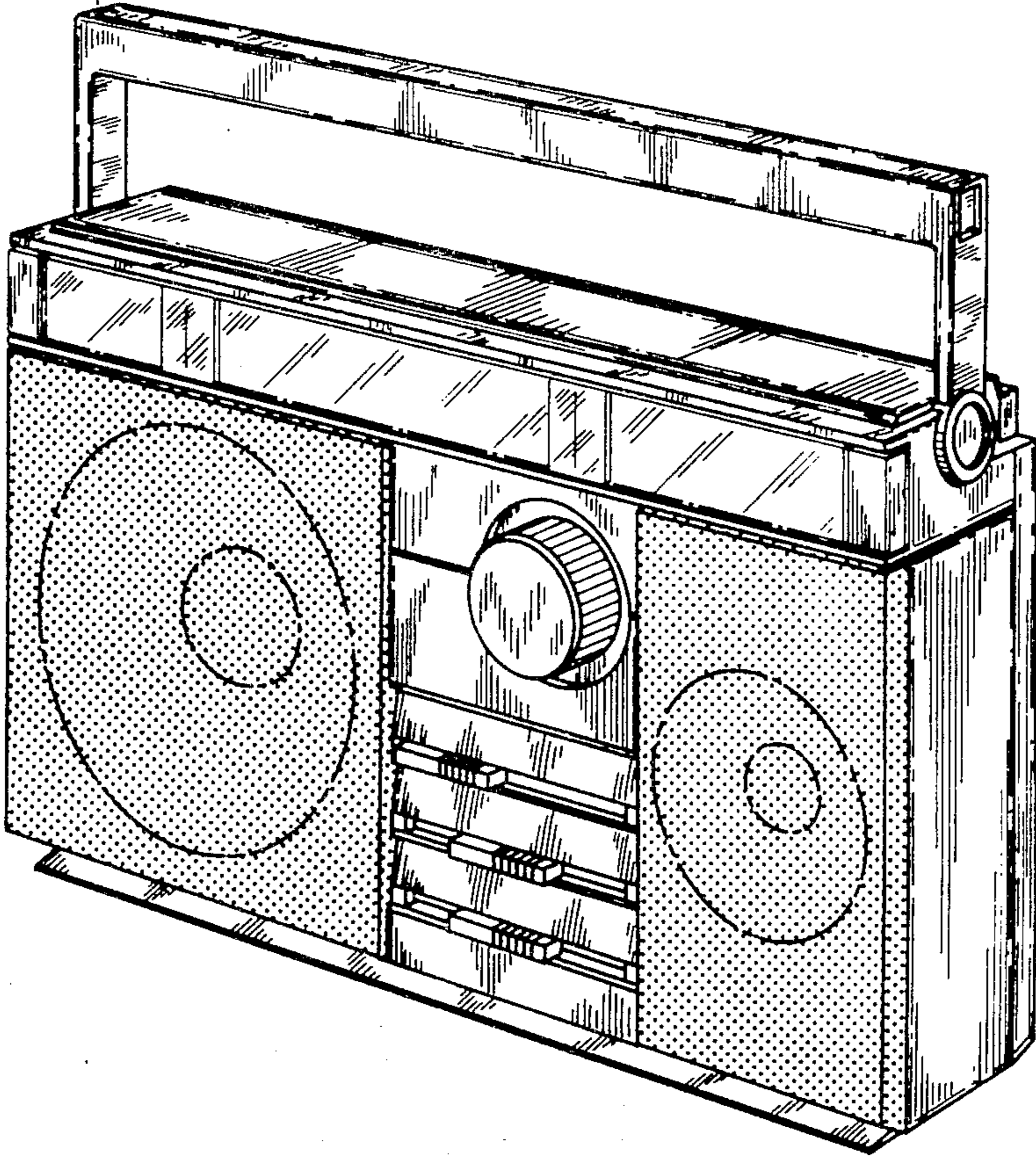


FIG. 2

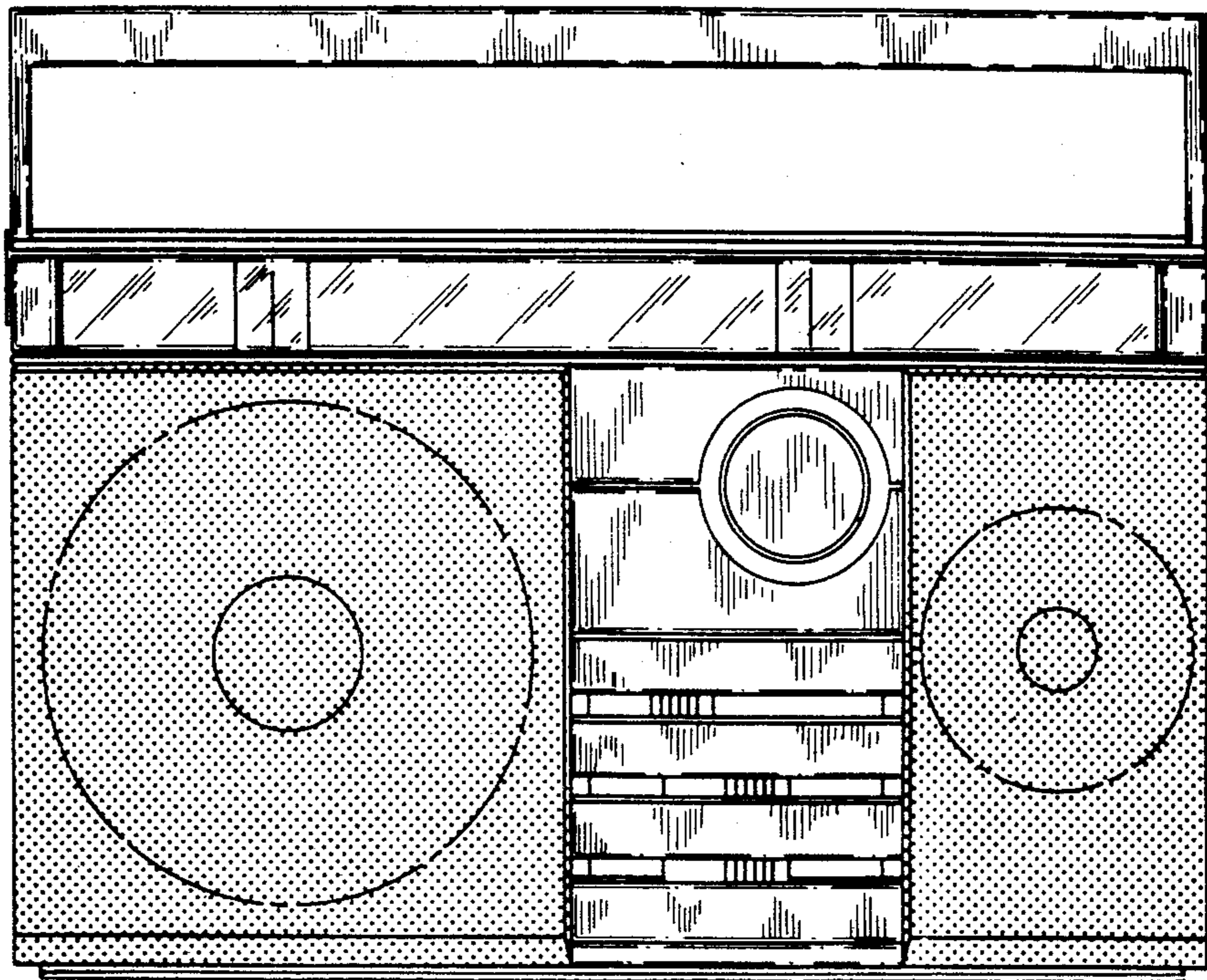


FIG. 6

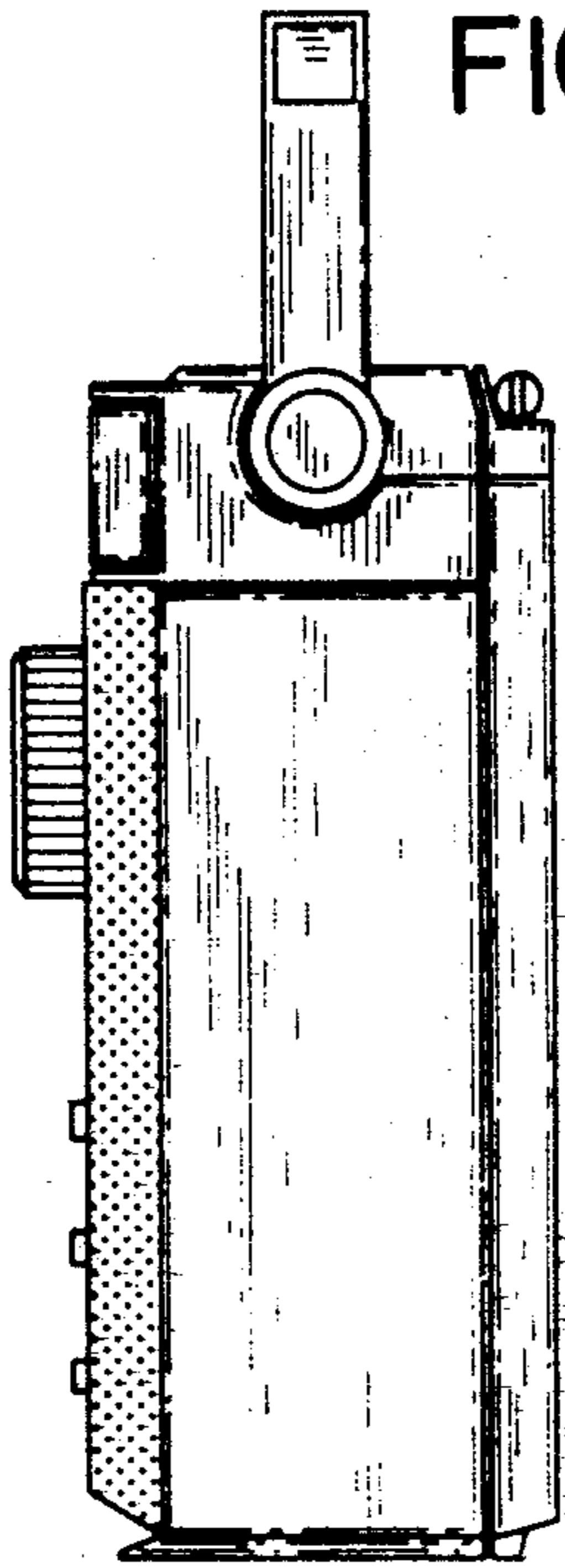


FIG. 7

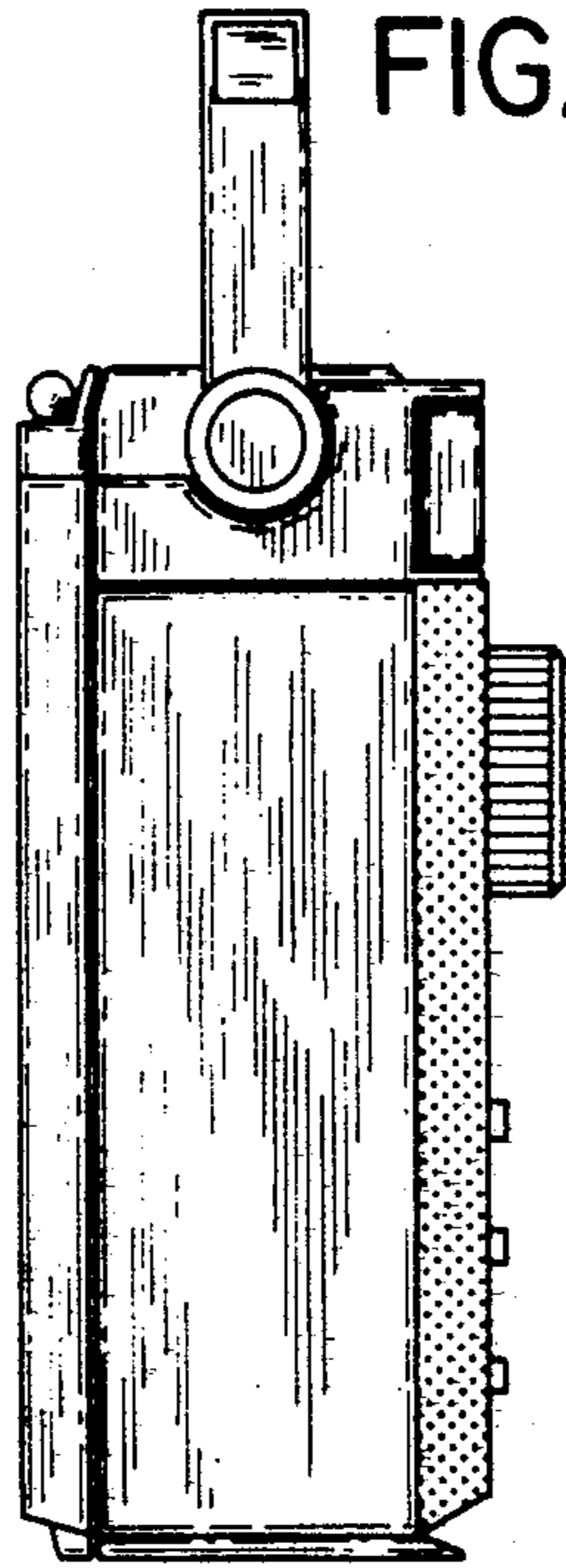


FIG. 3

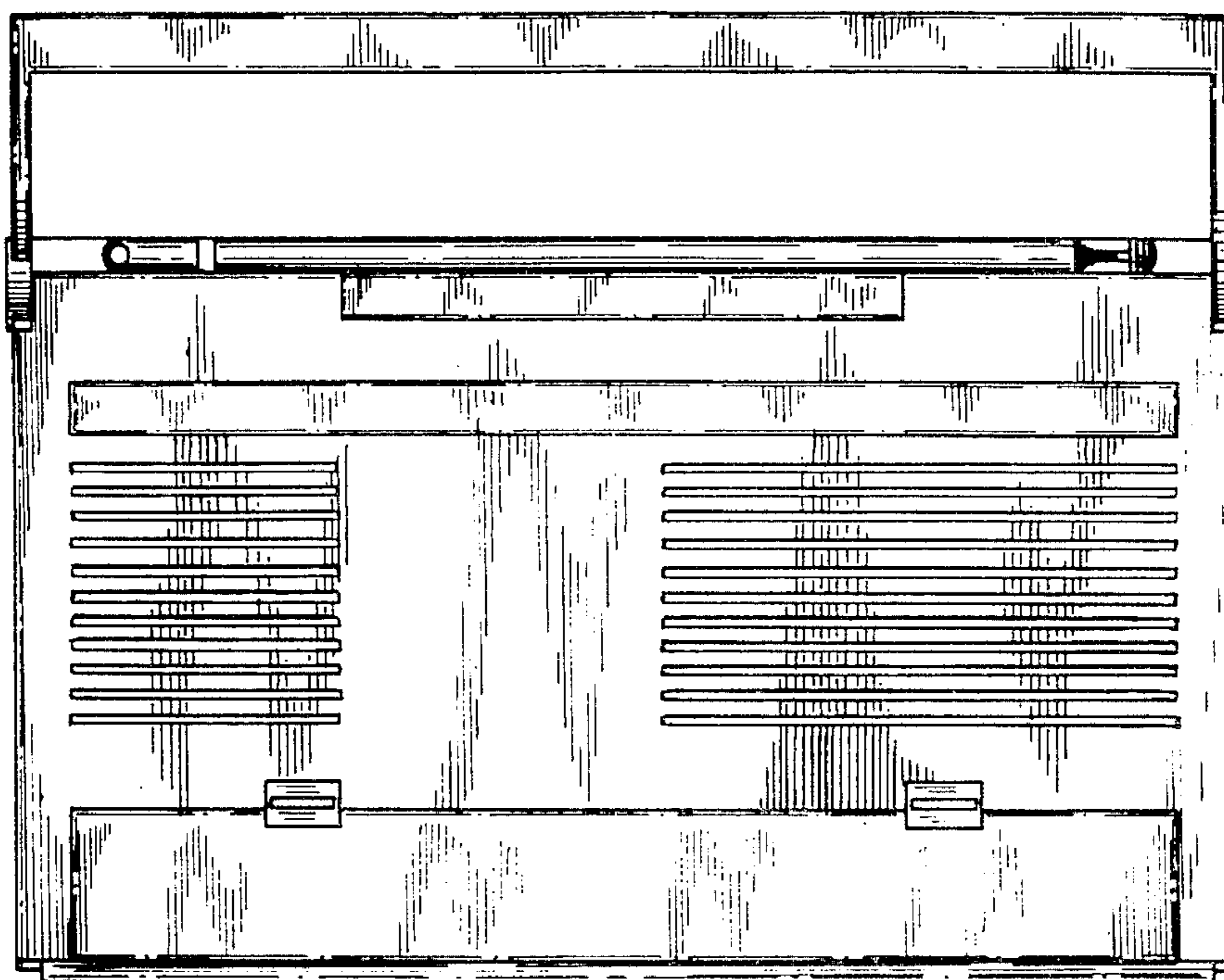


FIG. 4

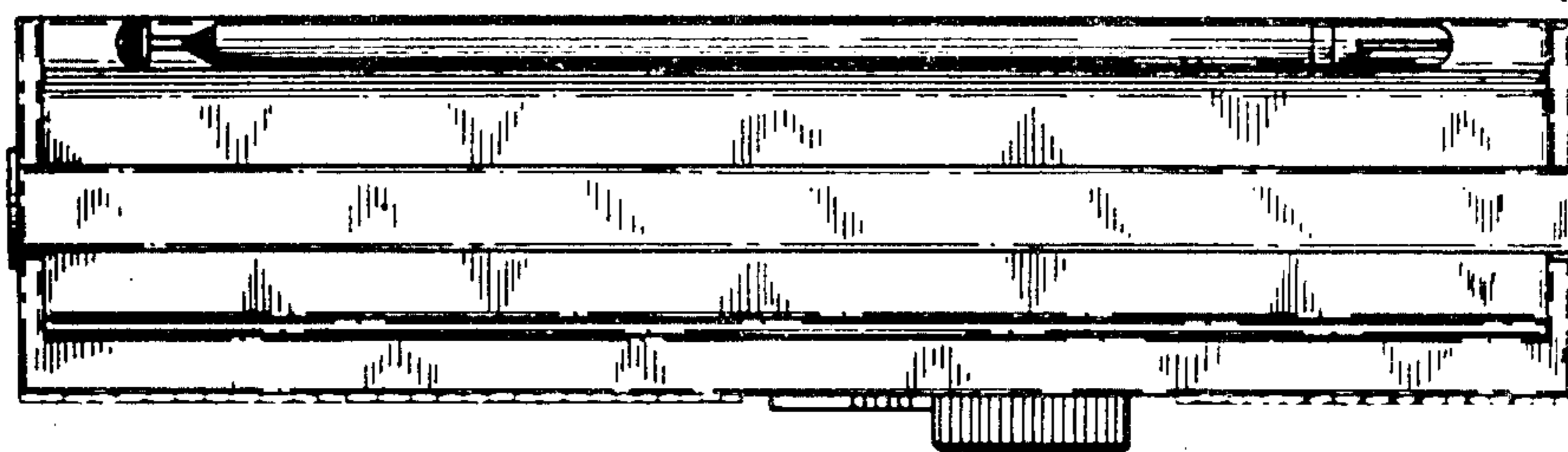


FIG. 5

