

[54] INTERCHANGEABLE TAPE CASSETTE

4,283,022 8/1981 Chen 242/197 X

[76] Inventors: Bart Johnston; Mary Johnston, both of 923 S. 14th St., Sheboygan, Wis. 53081

Primary Examiner—Bernard Ansher
Assistant Examiner—Theodore M. Shooman
Attorney, Agent, or Firm—Don E. Ferrell

[**] Term: 14 Years

[57] CLAIM

[21] Appl. No.: 705,889

The ornamental design for an interchangeable tape cassette, as shown and described.

[22] Filed: Feb. 26, 1985

[52] U.S. Cl. D14/11

DESCRIPTION

[58] Field of Search D14/1, 10, 11, 99; 360/132, 134; 242/71.8, 197, 198, 199

FIG. 1 is a front elevational view of an interchangeable tape cassette showing our new design; FIG. 2 is a rear elevational view thereof; FIG. 3 is a top plan view thereof; FIG. 4 is a bottom plan view thereof; FIG. 5 is a left side elevational view thereof; FIG. 6 is a right side elevational view thereof; and FIG. 7 is a perspective view showing the cassette housing in an open position.

[56] References Cited

U.S. PATENT DOCUMENTS

D. 280,736	9/1985	Schuling	D14/11	X
3,419,226	12/1968	Sato	242/199	
3,809,219	5/1974	Esashi	242/198	X
4,097,006	6/1978	Saito	360/132	X

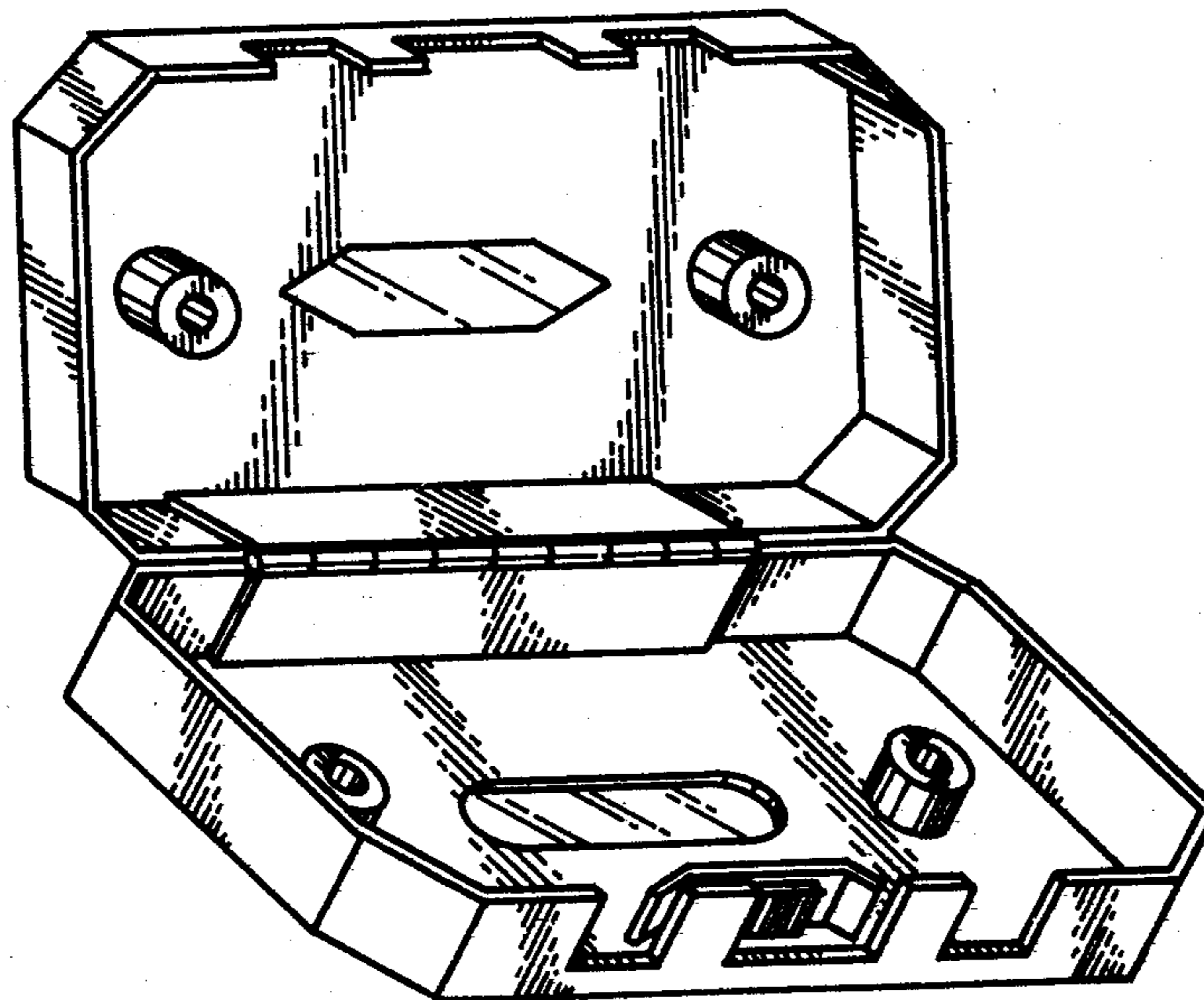
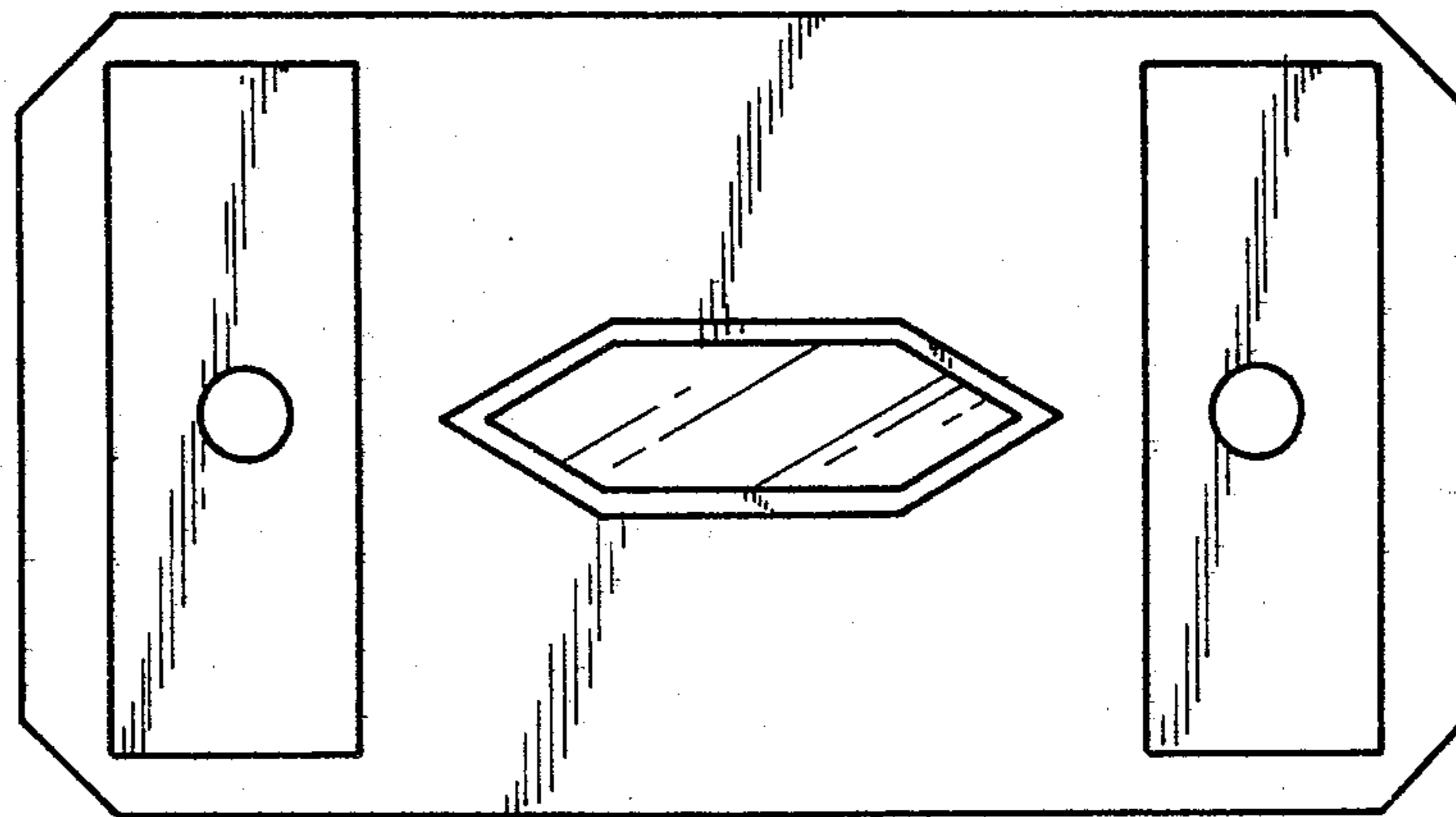


FIG 1

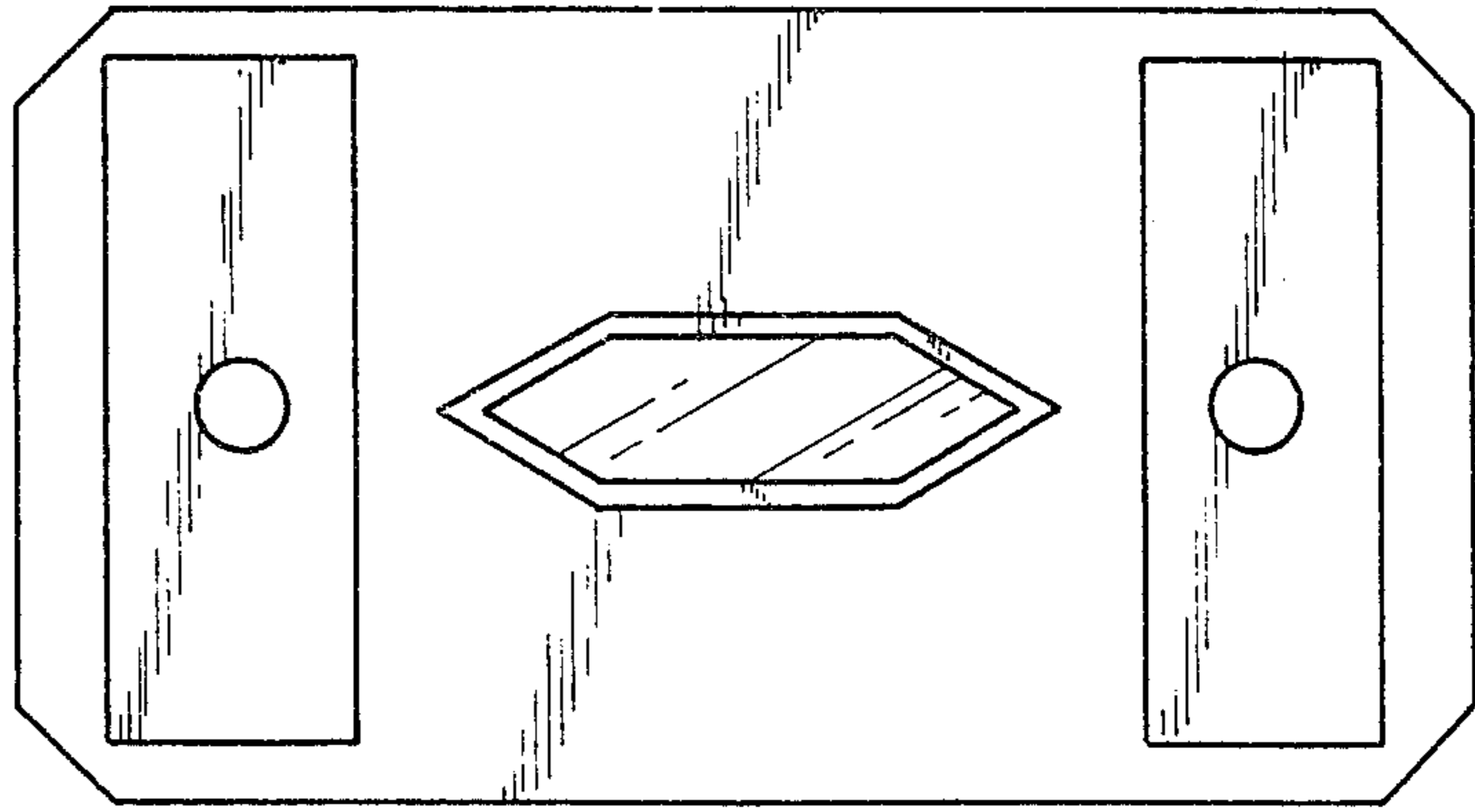


FIG 2

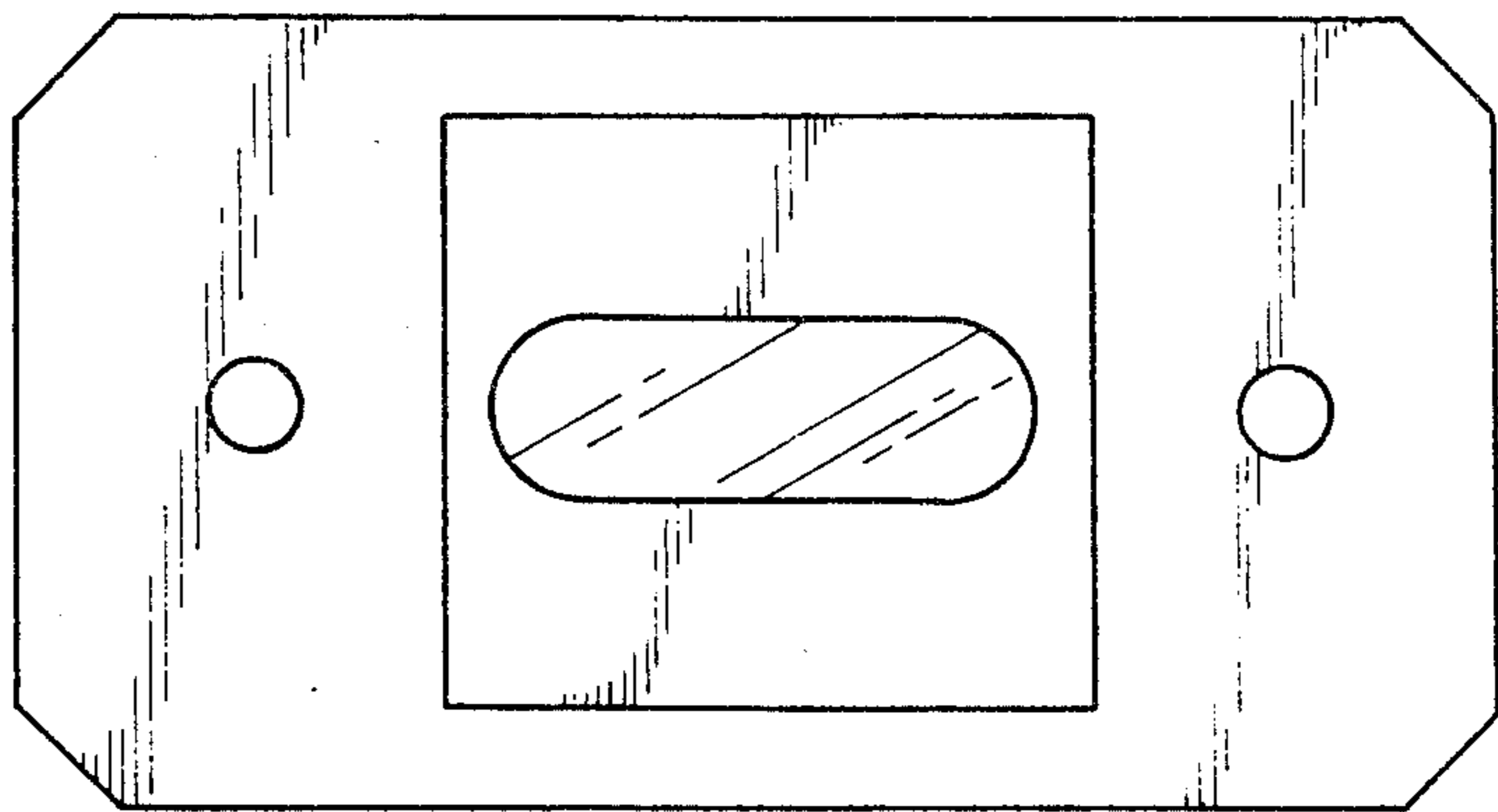


FIG 3

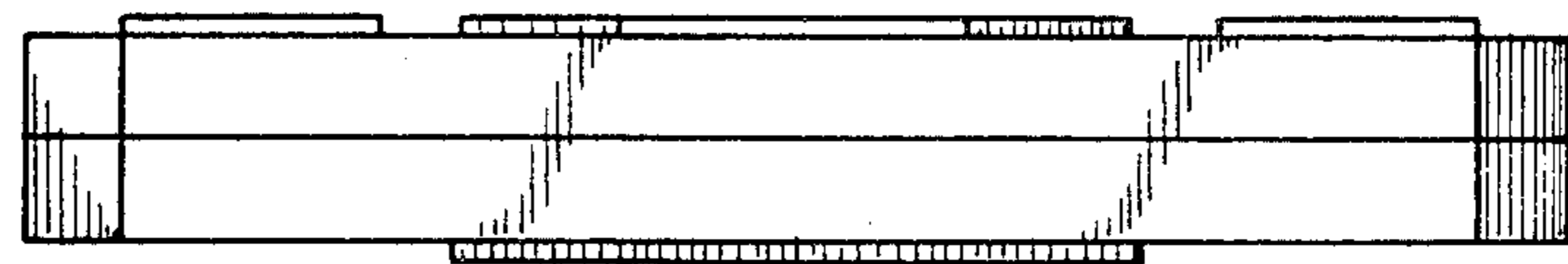
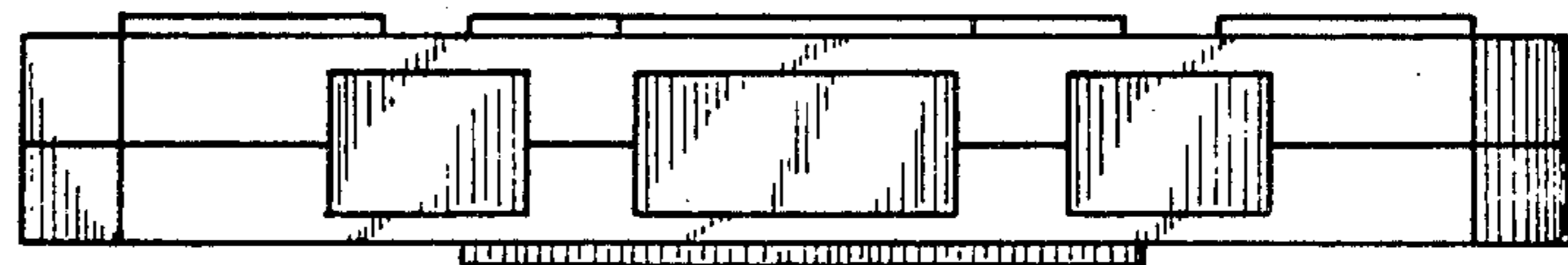


FIG 4



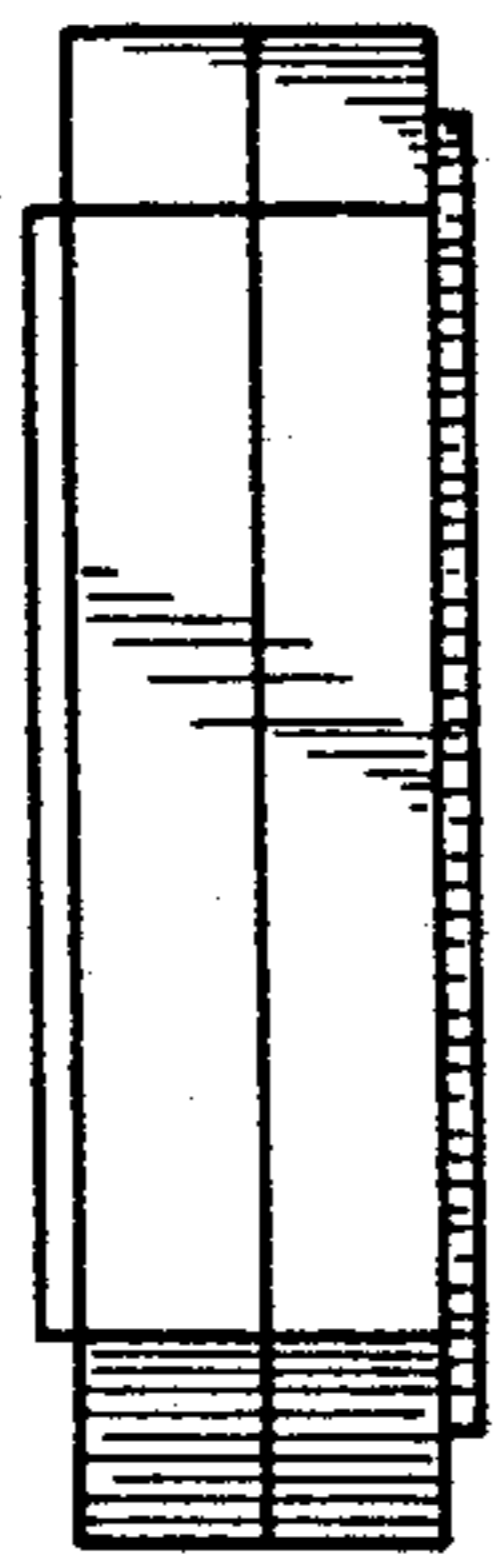


FIG 5

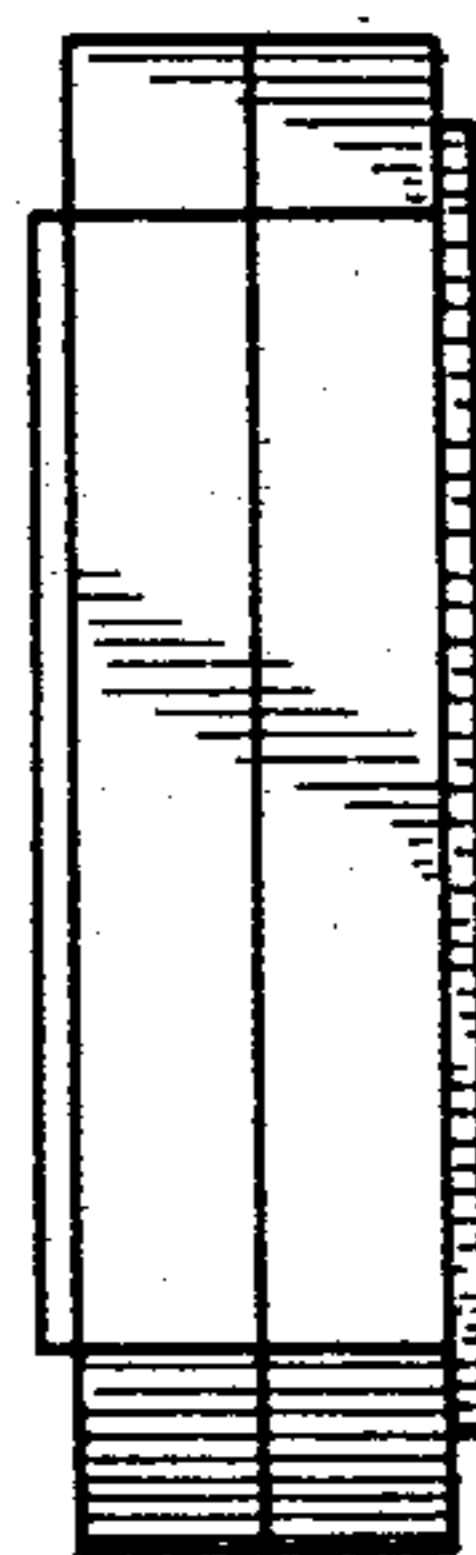


FIG 6

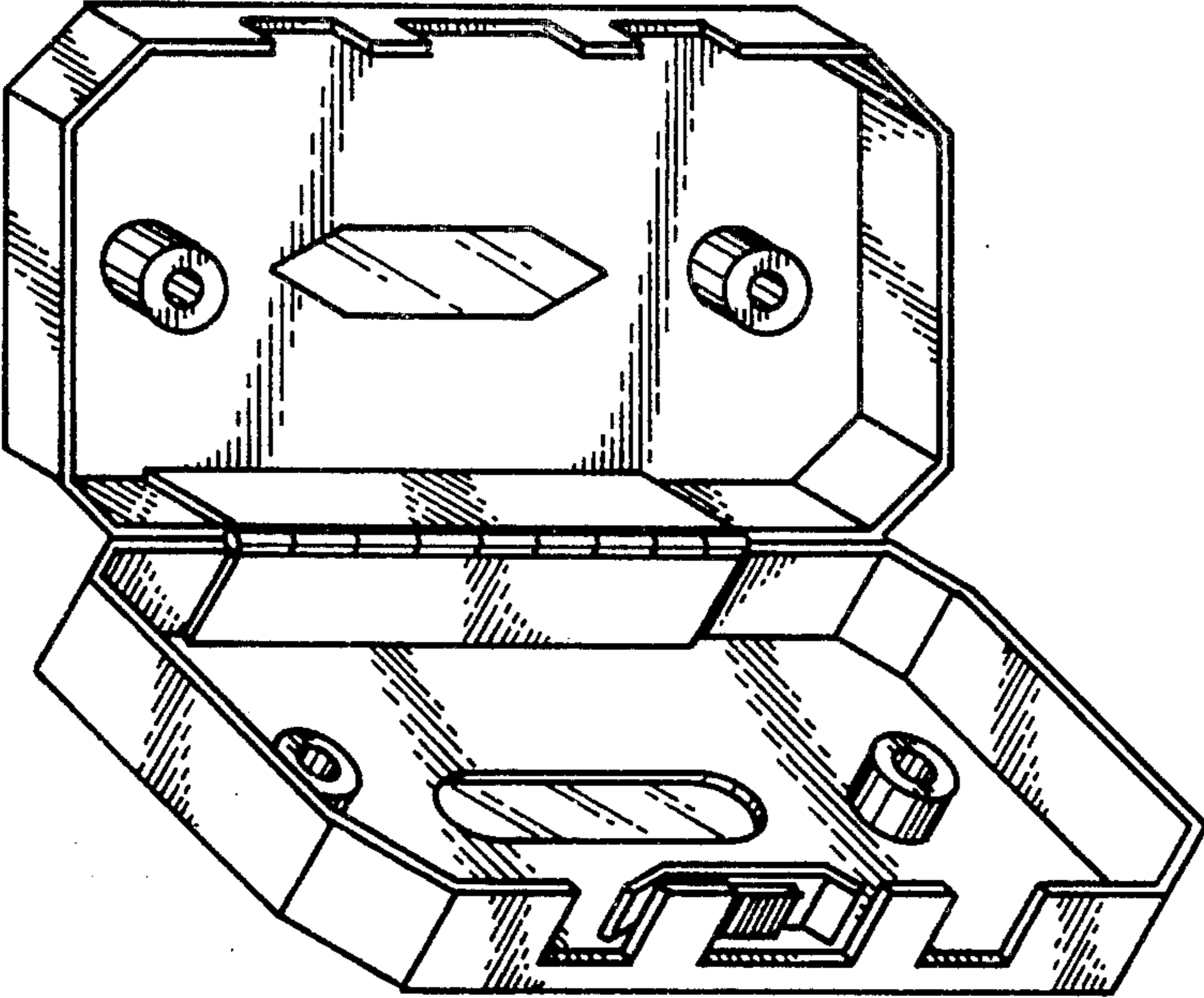


Fig. 7