

[54] WATERCRAFT

[76] Inventor: Maarten Voogd, 18141 Beach Blvd., Suite 370, Huntington Beach, Calif. 92648

[*] Notice: The portion of the term of this patent subsequent to Nov. 10, 2001 has been disclaimed.

[**] Term: 14 Years

[21] Appl. No.: 813,949

[22] Filed: Dec. 27, 1985

[52] U.S. Cl. D12/316; D21/130; D21/236

[58] Field of Search D12/300, 316, 305, 306; 114/346, 345, 270, 357; 441/37, 44, 131; 446/160, 163, 164; D21/130, 236

[56] References Cited

U.S. PATENT DOCUMENTS

D. 279,282	6/1985	Ball et al.	D12/307
3,628,206	12/1971	Mecham	114/346
4,101,996	7/1978	Mikulecky	114/346
4,305,170	12/1981	Atherton	114/346
4,367,689	1/1983	Lukehart et al.	114/346
4,596,529	6/1986	Goodman	114/345

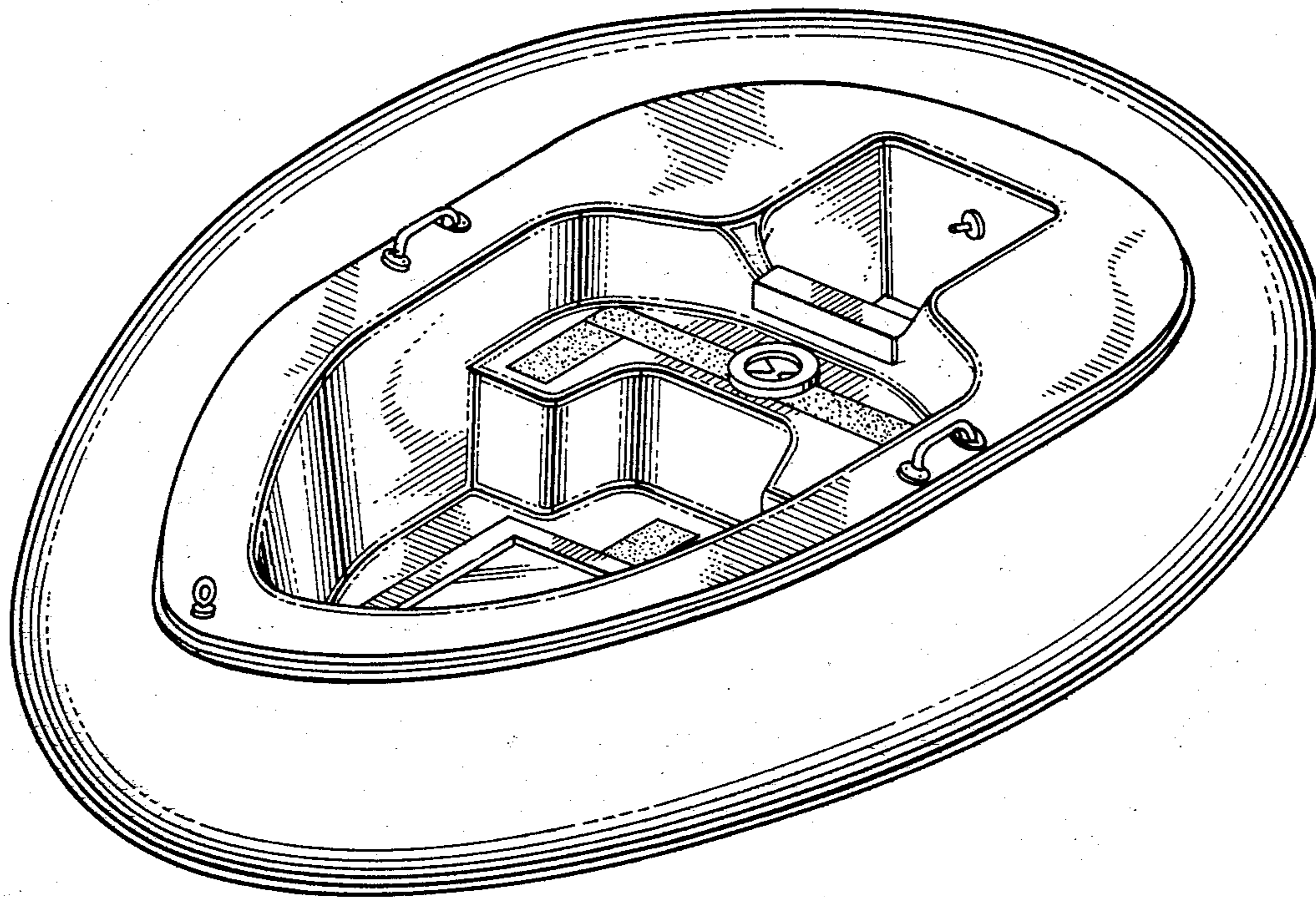
Primary Examiner—James M. Gandy
Assistant Examiner—Kay H. Chin
Attorney, Agent, or Firm—George J. Netter

[57] CLAIM

The ornamental design for a watercraft, as shown and described.

DESCRIPTION

FIG. 1 is a top perspective view of a watercraft showing my new design;
FIG. 2 is a top plan view thereof;
FIG. 3 is a front elevation view thereof;
FIG. 4 is a side elevation view thereof,
FIG. 5 is a bottom plan view thereof.



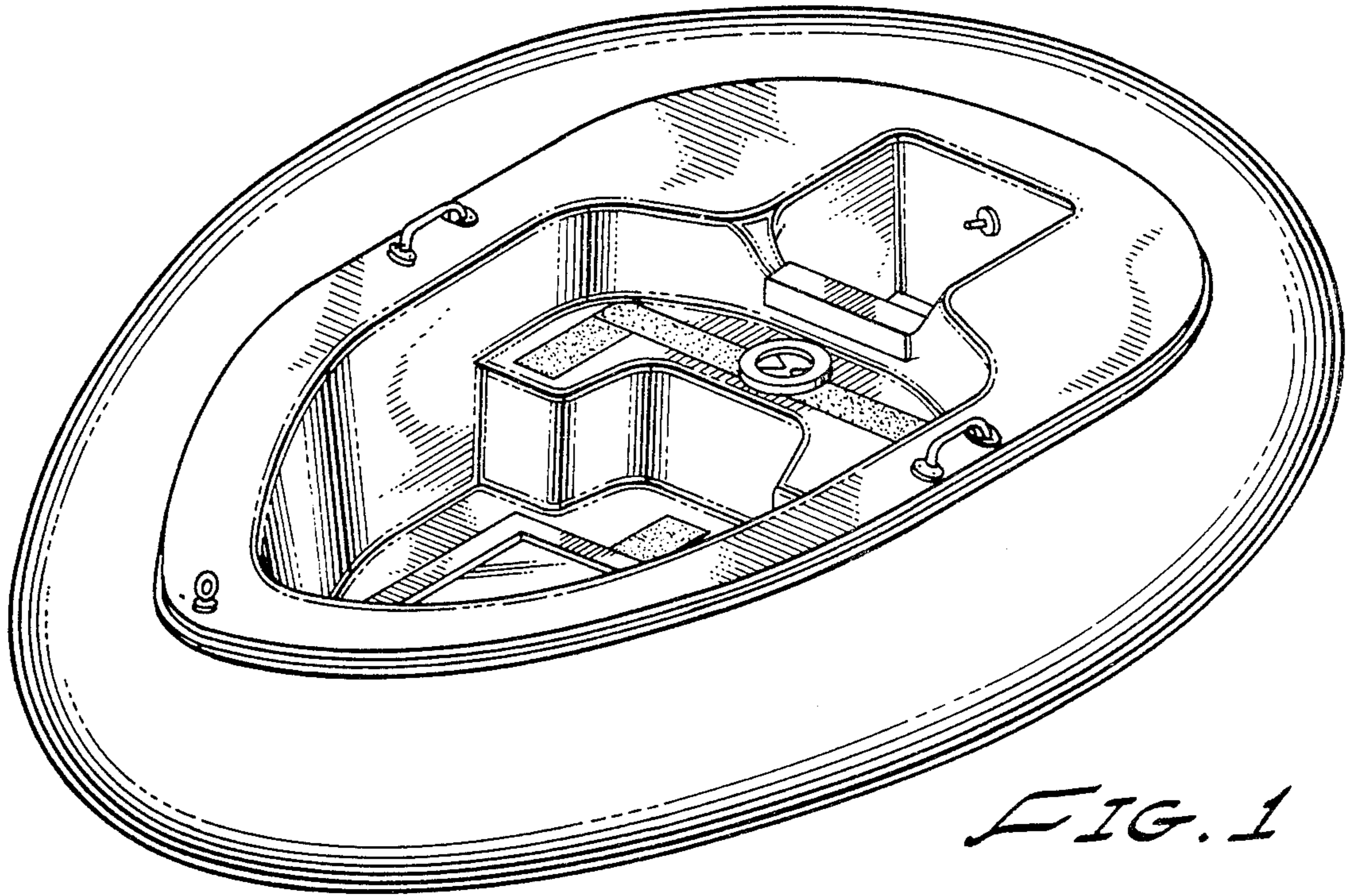


FIG. 1

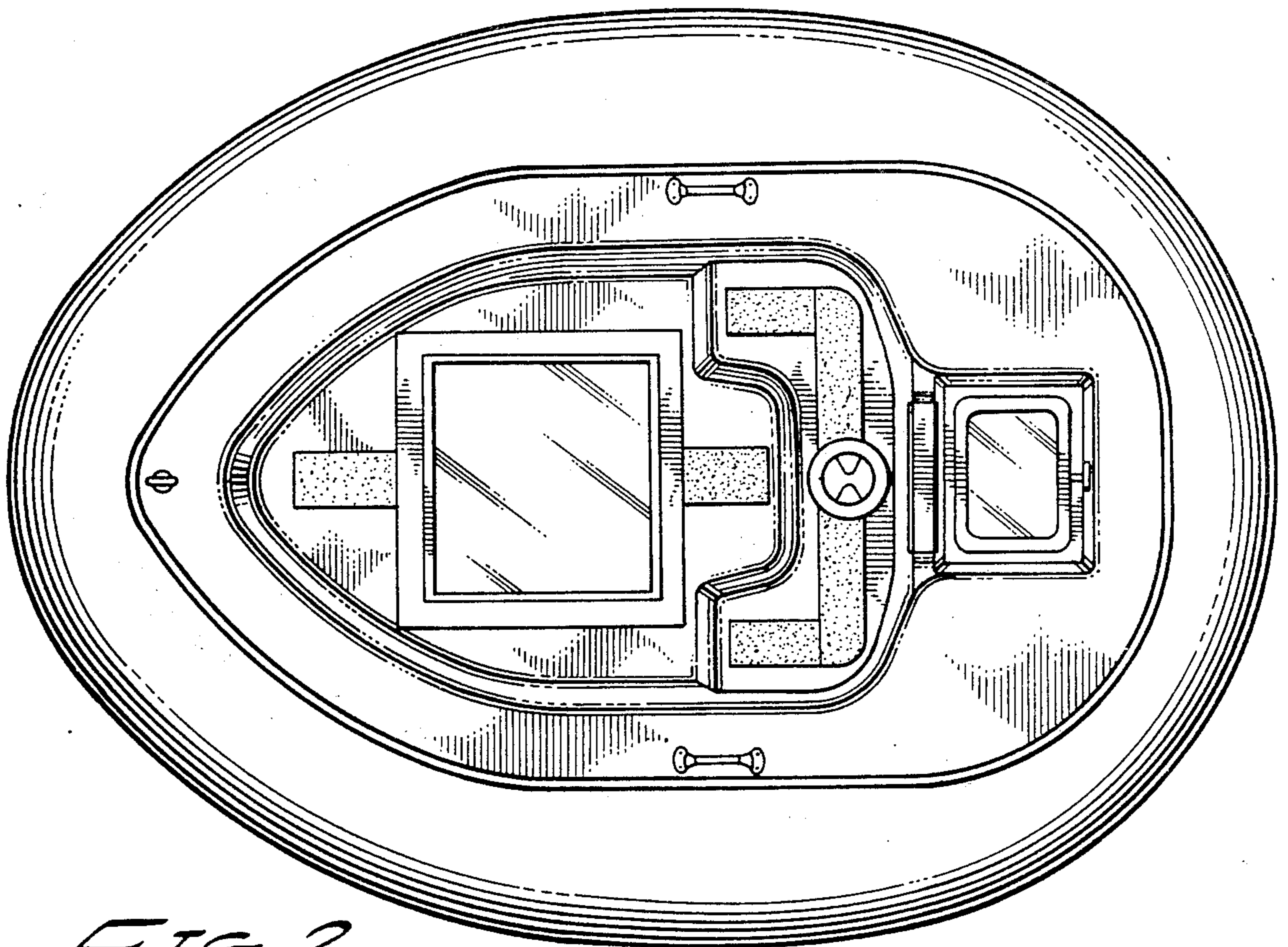


FIG. 2

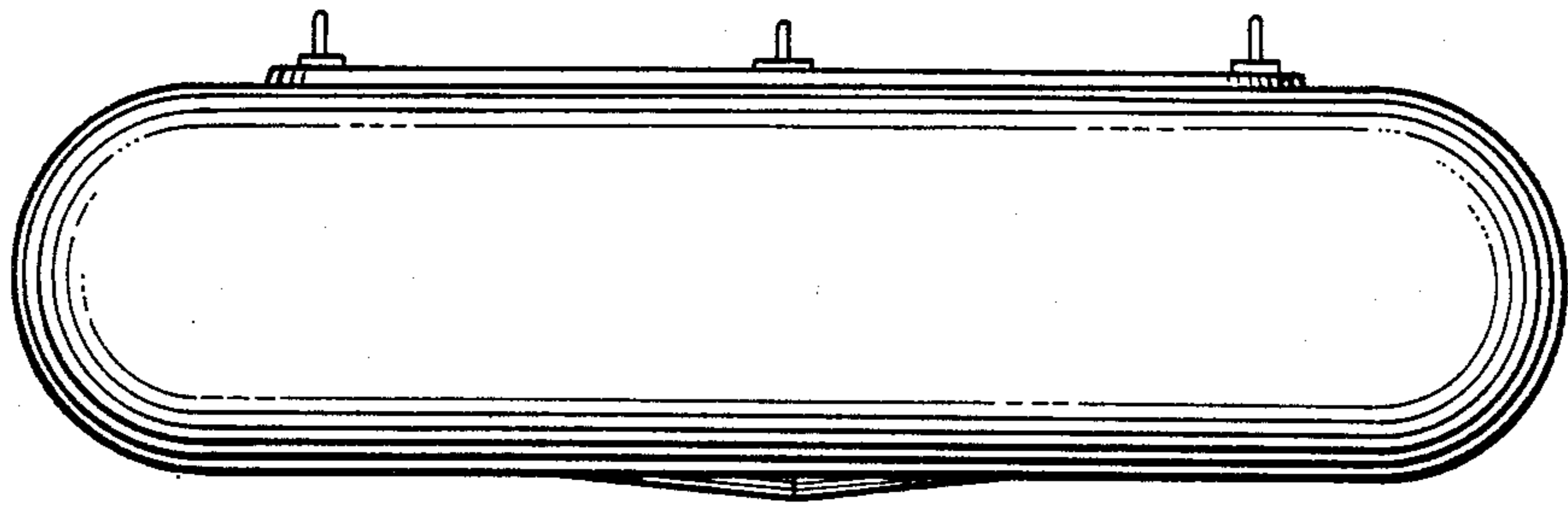


FIG. 3

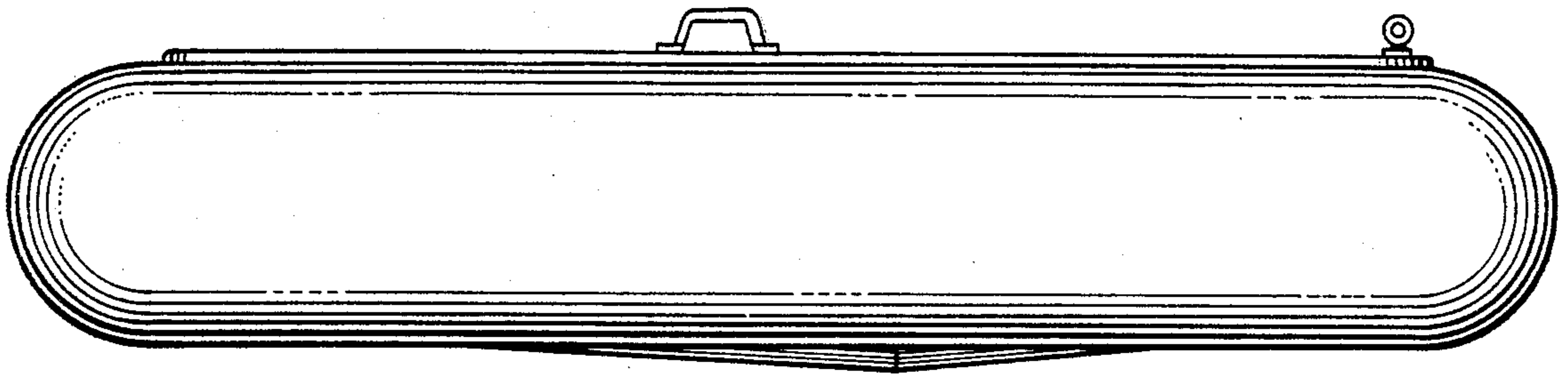


FIG. 4

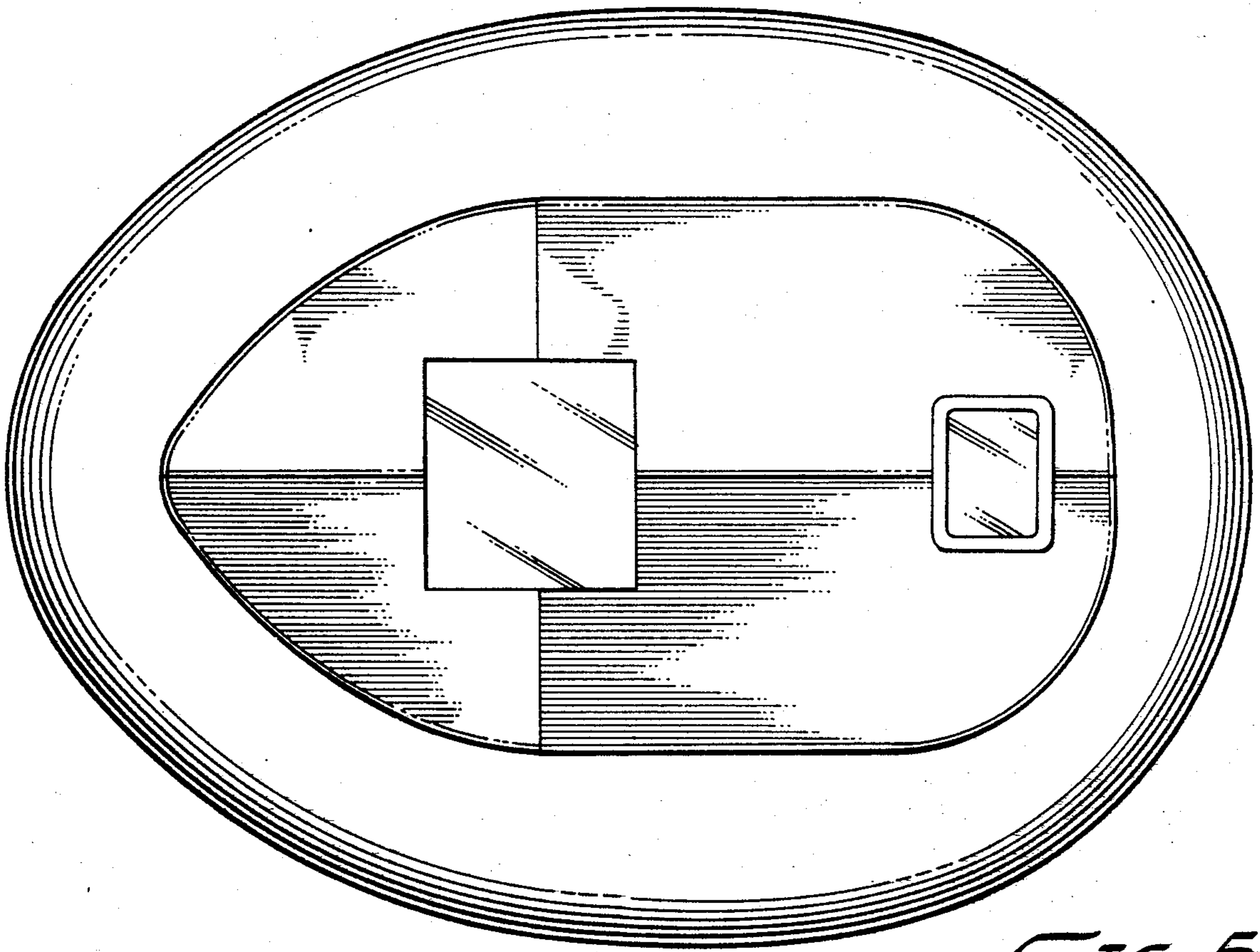


FIG. 5