

[54] WHEEL FOR MOTOR VEHICLES

[75] Inventor: **Günter Schmid**, Bad Dürkheim, Fed. Rep. of Germany

[73] Assignee: **ATS Leichtmetallräder GmbH**

[**] Term: **14 Years**

[21] Appl. No.: **708,214**

[22] Filed: **Mar. 5, 1985**

[30] **Foreign Application Priority Data**

Sep. 5, 1984 [DE] Fed. Rep. of Germany 7 AR 411/84

[52] U.S. Cl. **D12/211**

[58] Field of Search **D12/205, 209, 211; 301/63 R, 64 R, 64 SD, 65**

[56] **References Cited PUBLICATIONS**

Western Wheel brochure, p. 1, WWS Wheel, top left side of page.
Road & Track, 2/1984, p. 95, Reverse Wire Style Wheel, lower left center of page.
Road & Track, 9/1984, p. 63, Rnal Wheel for VW/BMW/Mazda/Mercedes/Porsche, lower right side of page.

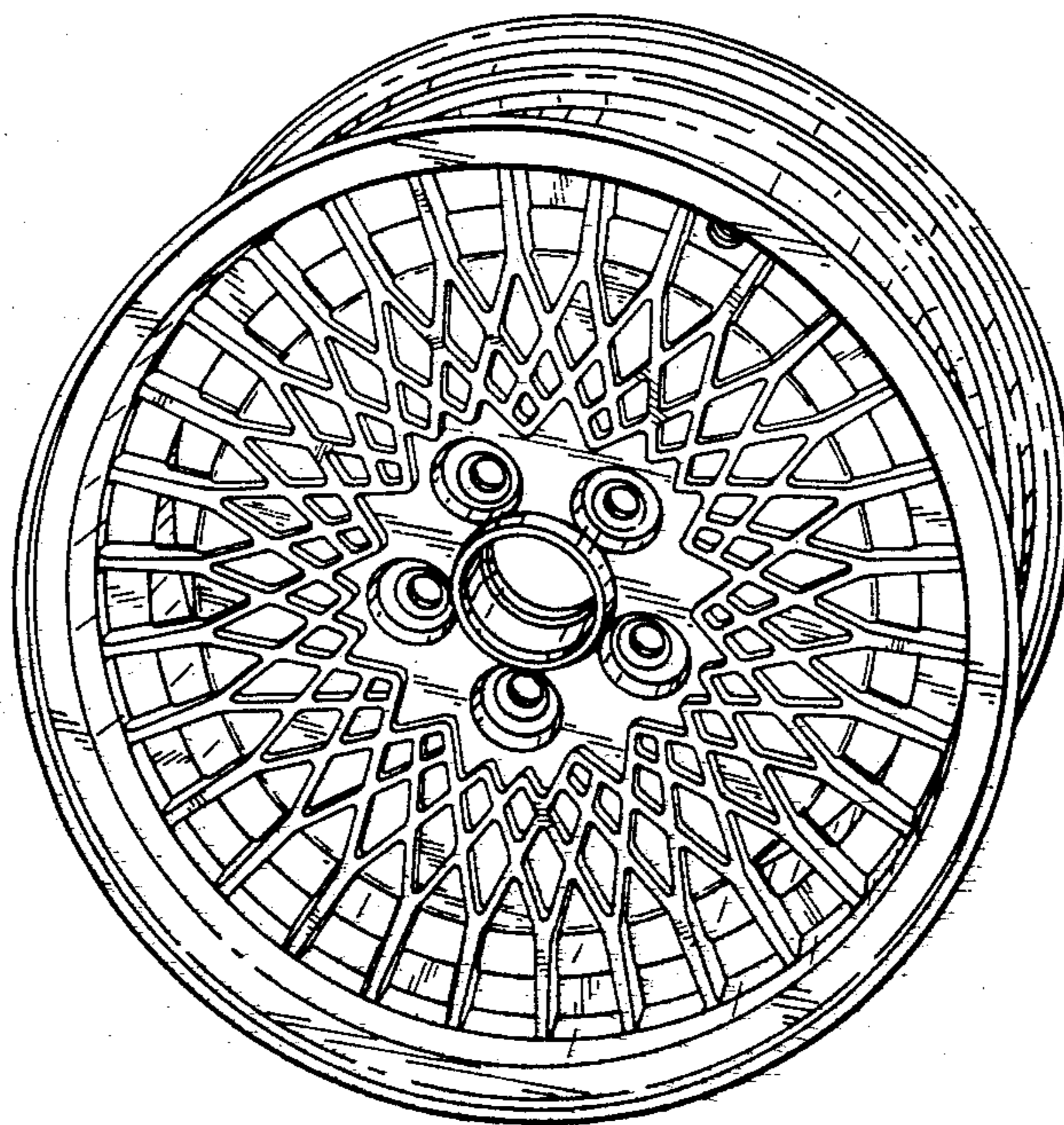
Primary Examiner—James M. Gandy
Attorney, Agent, or Firm—Toren, McGeedy & Associates

[57] **CLAIM**

The ornamental design for a wheel for motor vehicles, as shown.

DESCRIPTION

FIG. 1 is a front perspective view of a wheel for motor vehicles showing my new design;
FIG. 2 is a side elevation view thereof;
FIG. 3 is a front elevation view thereof;
FIG. 4 is a rear elevation view thereof; and
FIG. 5 is a cross sectional view thereof taken along line 5—5 in FIG. 3.



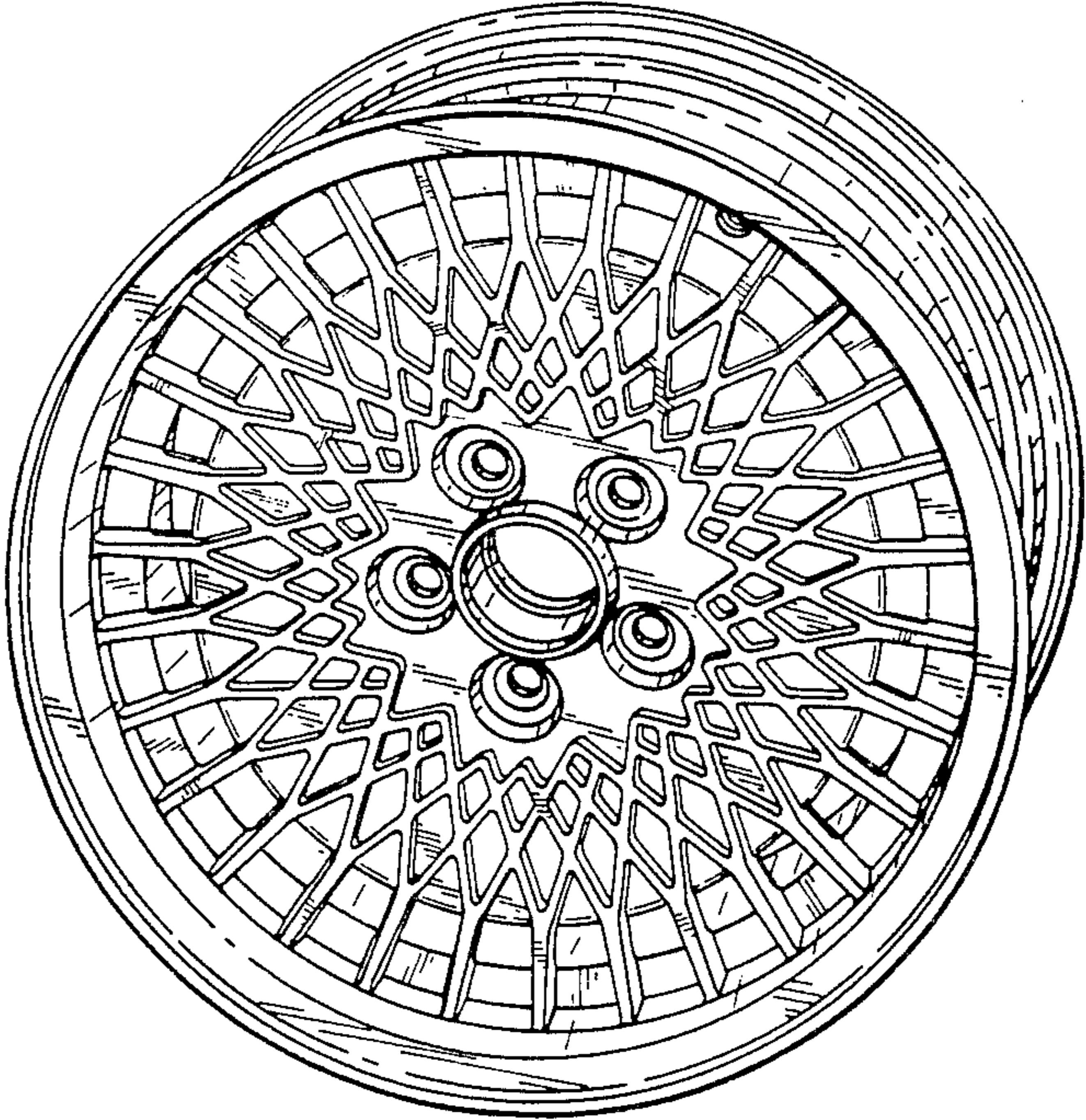


FIG. 1

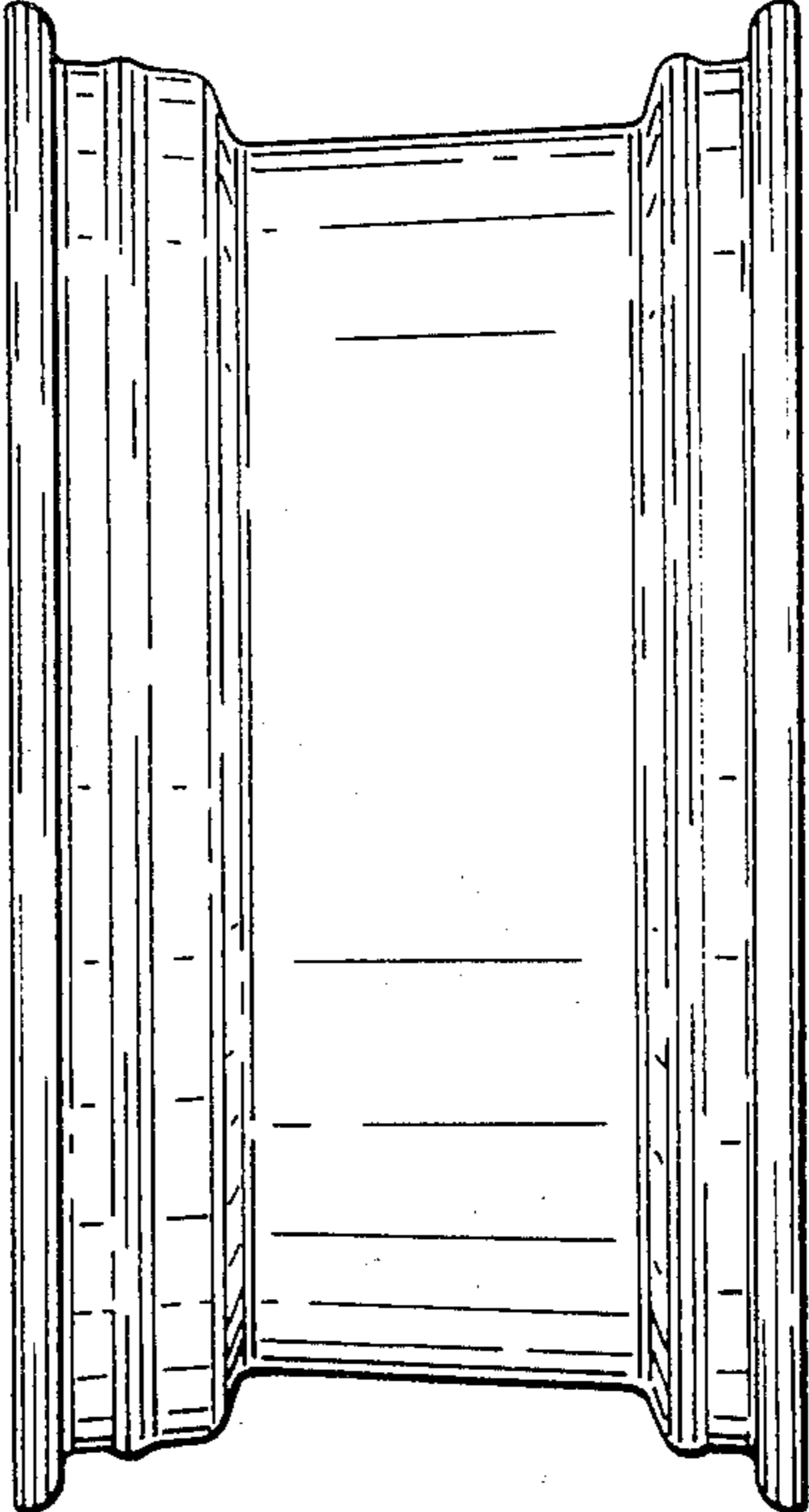


FIG. 2

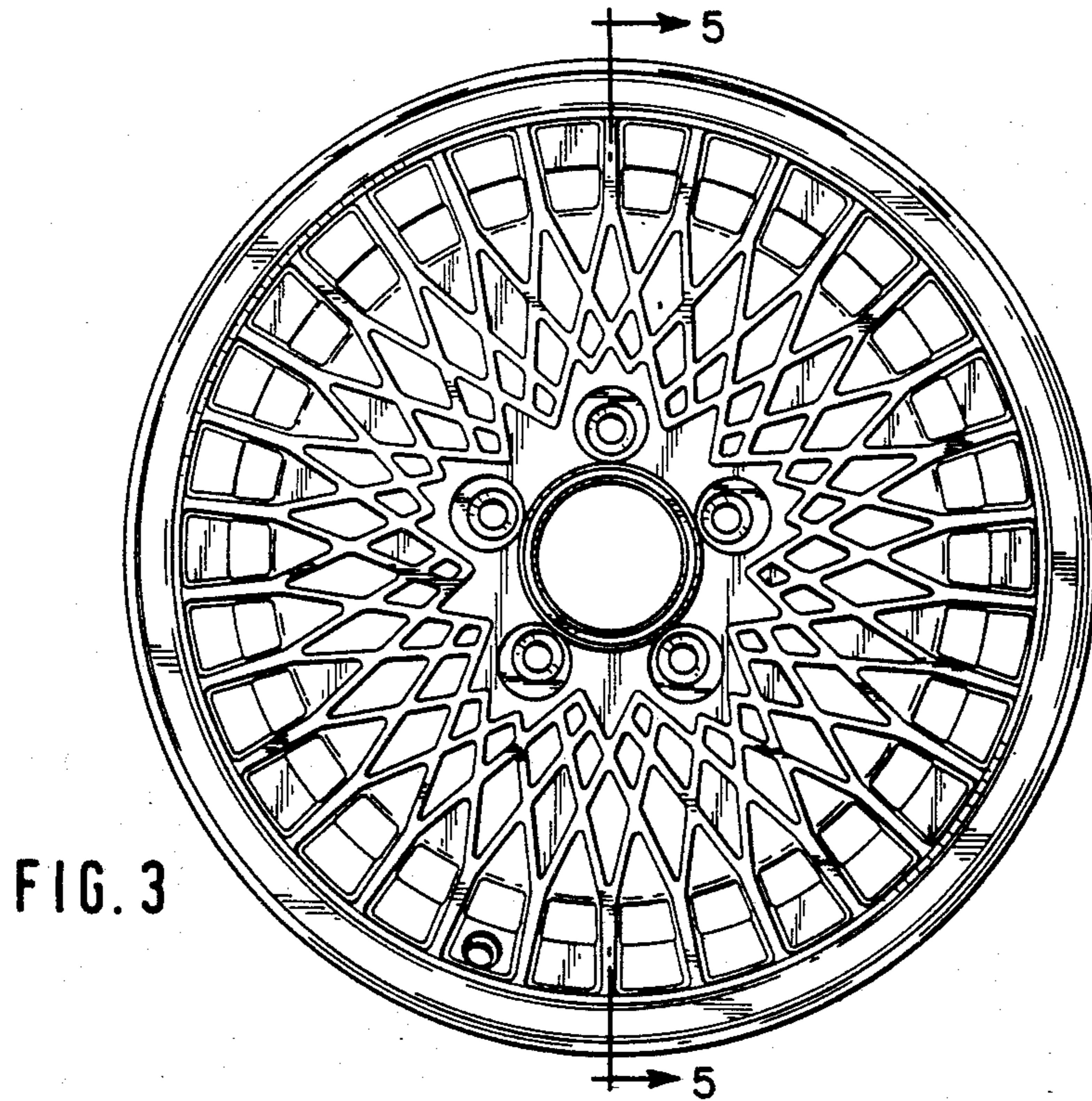


FIG. 3

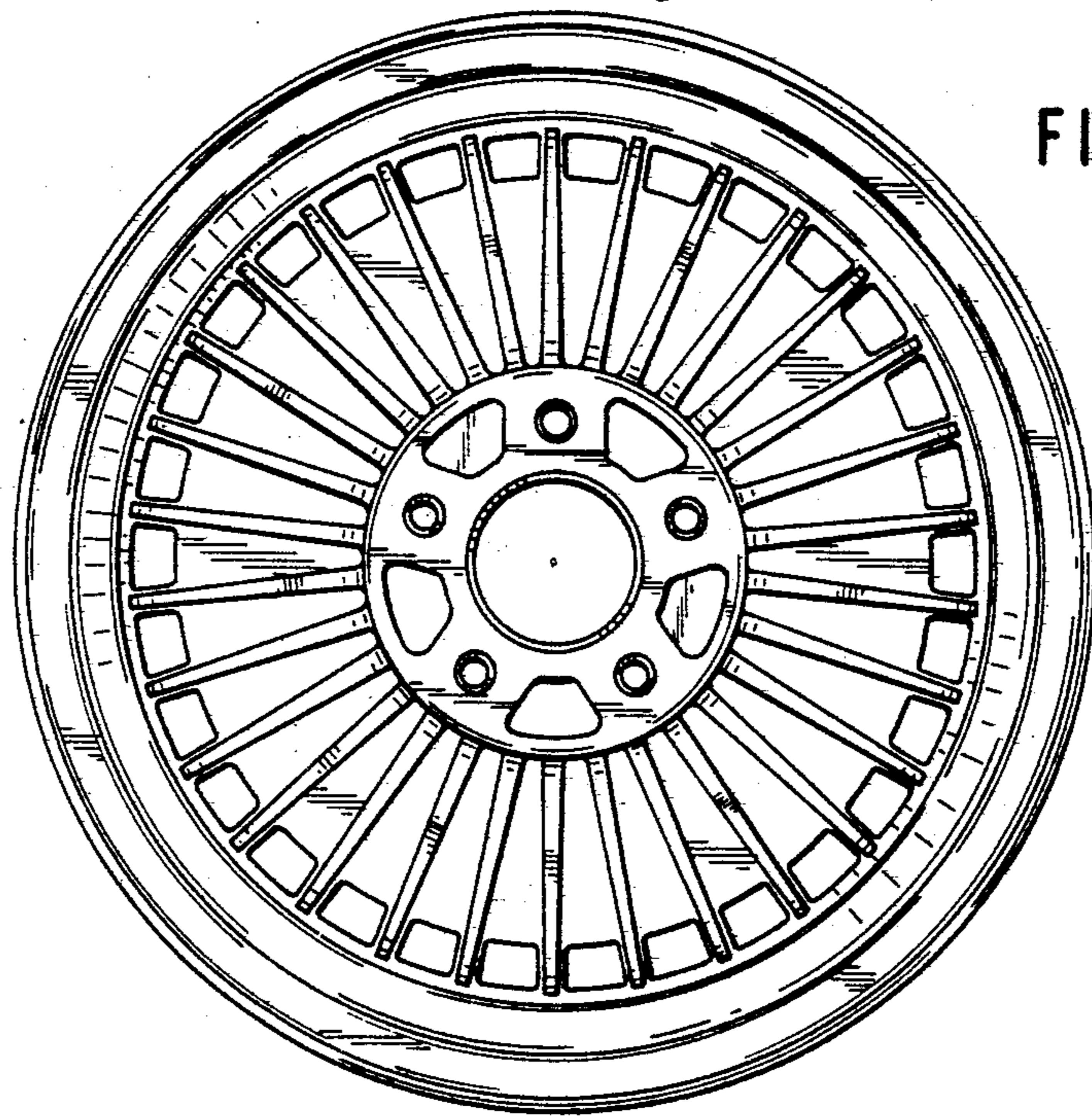


FIG. 4

FIG. 5

