

[54] VEHICLE WHEEL

[75] Inventors: Richard A. Schell, Rochester; John R. Schinella, Birmingham, both of Mich.

[73] Assignee: General Motors Corporation, Detroit, Mich.

[**] Term: 14 Years

[21] Appl. No.: 710,620

[22] Filed: Mar. 11, 1985

[52] U.S. Cl. D12/211

[58] Field of Search D12/209, 211; 301/63 R, 301/64 R, 64 SD, 65

[56] References Cited

U.S. PATENT DOCUMENTS

D. 221,935 9/1971 Harty, Jr. D12/211

D. 233,744 11/1974 Wiener D12/209
D. 256,456 8/1980 Blanchard D12/211
D. 277,661 2/1985 Cafaro et al. D12/211
D. 284,182 6/1986 Hedlund D12/211
D. 286,278 10/1986 Sandberg D12/211

OTHER PUBLICATIONS

Road & Track, 2/1984, p. 30, Ford Bronco II Wheel, center of page.

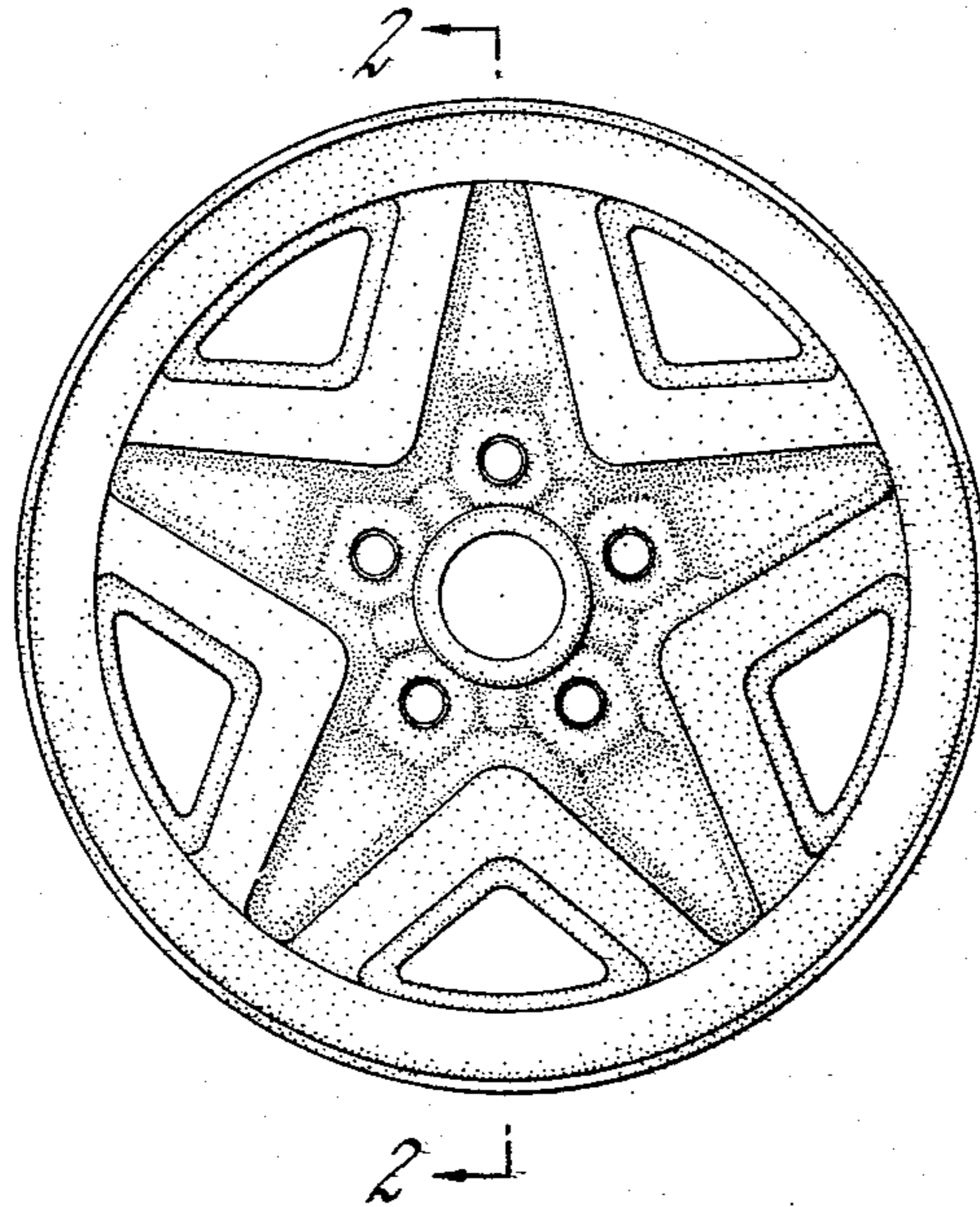
Primary Examiner—James M. Gandy
Attorney, Agent, or Firm—Herbert Furman

[57] CLAIM

The ornamental design for a vehicle wheel, substantially as shown.

DESCRIPTION

FIG. 1 is a front elevational view of a vehicle wheel showing our new design, and FIG. 2 is a sectional view on line 2—2 of FIG. 1.



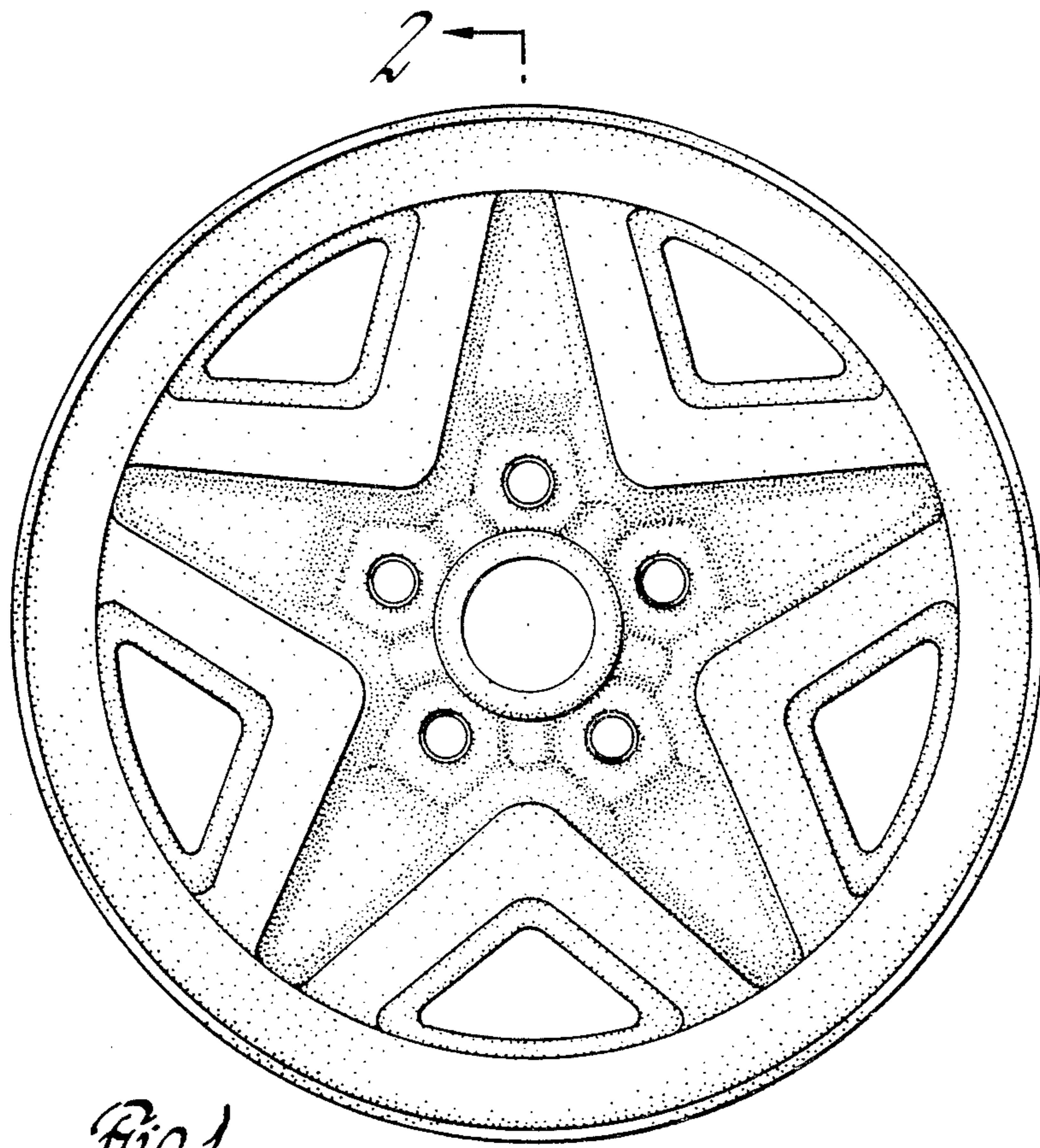


Fig. 1

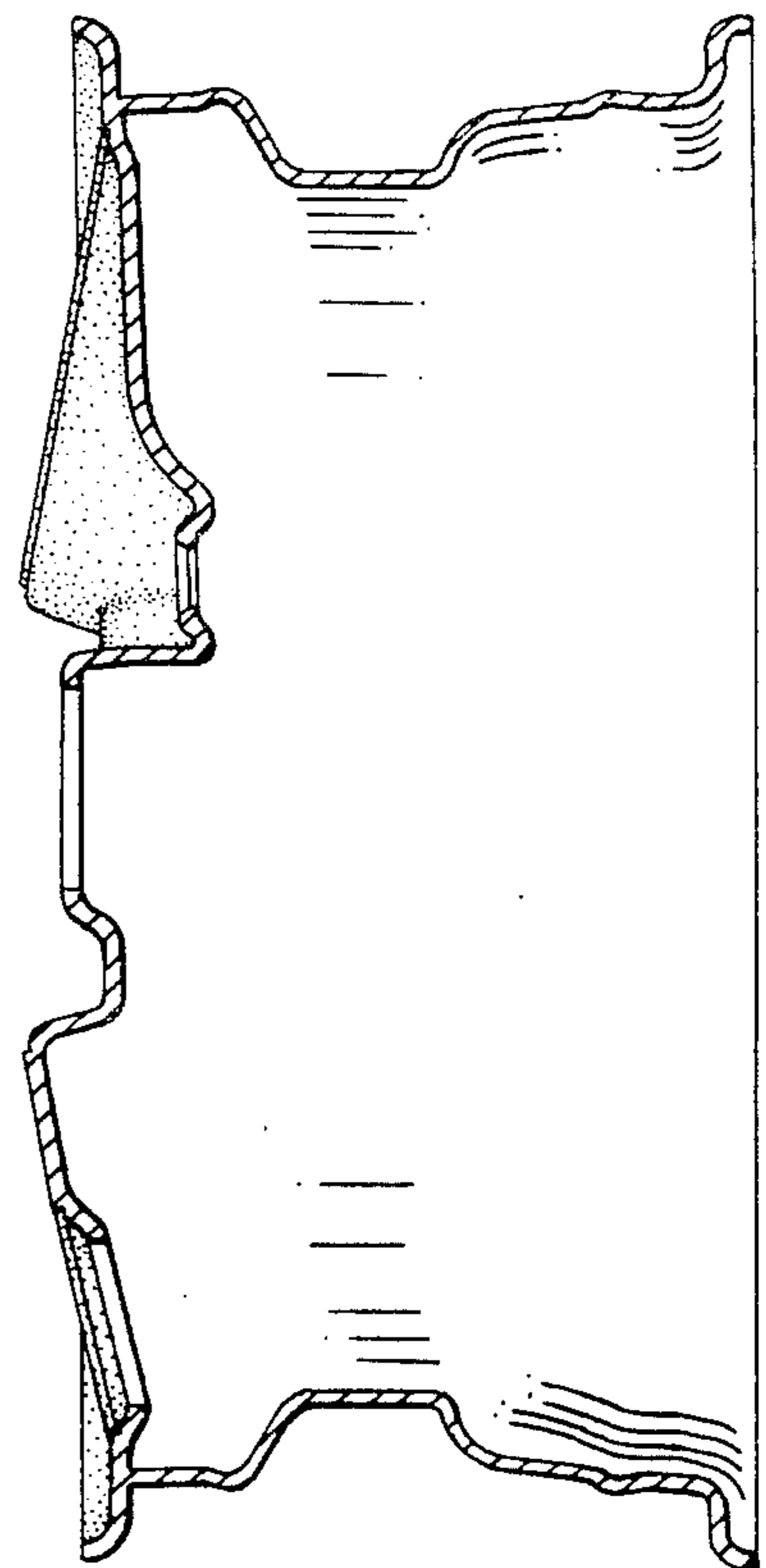
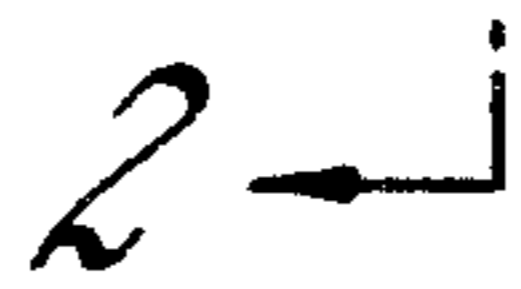


Fig. 2