

[54] MOUNTING BRACKET FOR ELECTRICAL DEVICES

[75] Inventors: Jorgen Logstrup, Snekkersten; Ole M. Madsen, Helsingor; Otto Jorgensen, Hornbæk, all of Denmark

[73] Assignee: A/S Logstrup Steel, Kvistgard, Snekkersten, Denmark

[**] Term: 14 Years

[21] Appl. No.: 678,769

[22] Filed: Dec. 6, 1984

[30] Foreign Application Priority Data

Jun. 6, 1984 [DK] Denmark 519/84

[52] U.S. Cl. D8/366; D8/380

[58] Field of Search D8/354, 380, 366; D13/99, 13; 248/1 B, 300, 247, 248, 637, 674, 675

[56] References Cited

U.S. PATENT DOCUMENTS

D. 236,251	8/1975	Cunning	D8/354
D. 242,766	12/1976	Neece	D8/354
D. 244,748	6/1977	Canterbury	D8/380
D. 267,775	2/1983	Holcombe	D8/380
2,376,966	5/1945	Ingerman	248/248
3,595,402	7/1971	Smaczny	248/300

3,894,705 7/1975 Glassmeyer 248/674

Primary Examiner—Susan J. Lucas
Assistant Examiner—C. E. Heflin
Attorney, Agent, or Firm—Merchant, Gould, Smith, Edell, Welter & Schmidt

[57] CLAIM

The ornamental design for a mounting bracket for electrical devices, as shown and described.

DESCRIPTION

FIG. 1 is a top plan view of the mounting bracket for electrical devices showing our new design in the open, flat position;
FIG. 2 is a side elevational view thereof;
FIG. 3 is an opposite side elevational view thereof;
FIG. 4 is a front elevational view thereof;
FIG. 5 is a rear elevational view thereof;
FIG. 6 is a bottom plan view thereof;
FIG. 7 is a top plan view of the mounting bracket for electrical devices showing our new design in the folded position;
FIG. 8 is a side elevational view thereof;
FIG. 9 is a front elevational view thereof;
FIG. 10 is a bottom plan view thereof;
FIG. 11 is an opposite side elevational view thereof;
FIG. 12 is a rear elevational view thereof;
FIG. 13 is a top perspective view thereof; and
FIG. 14 is a bottom perspective view thereof.

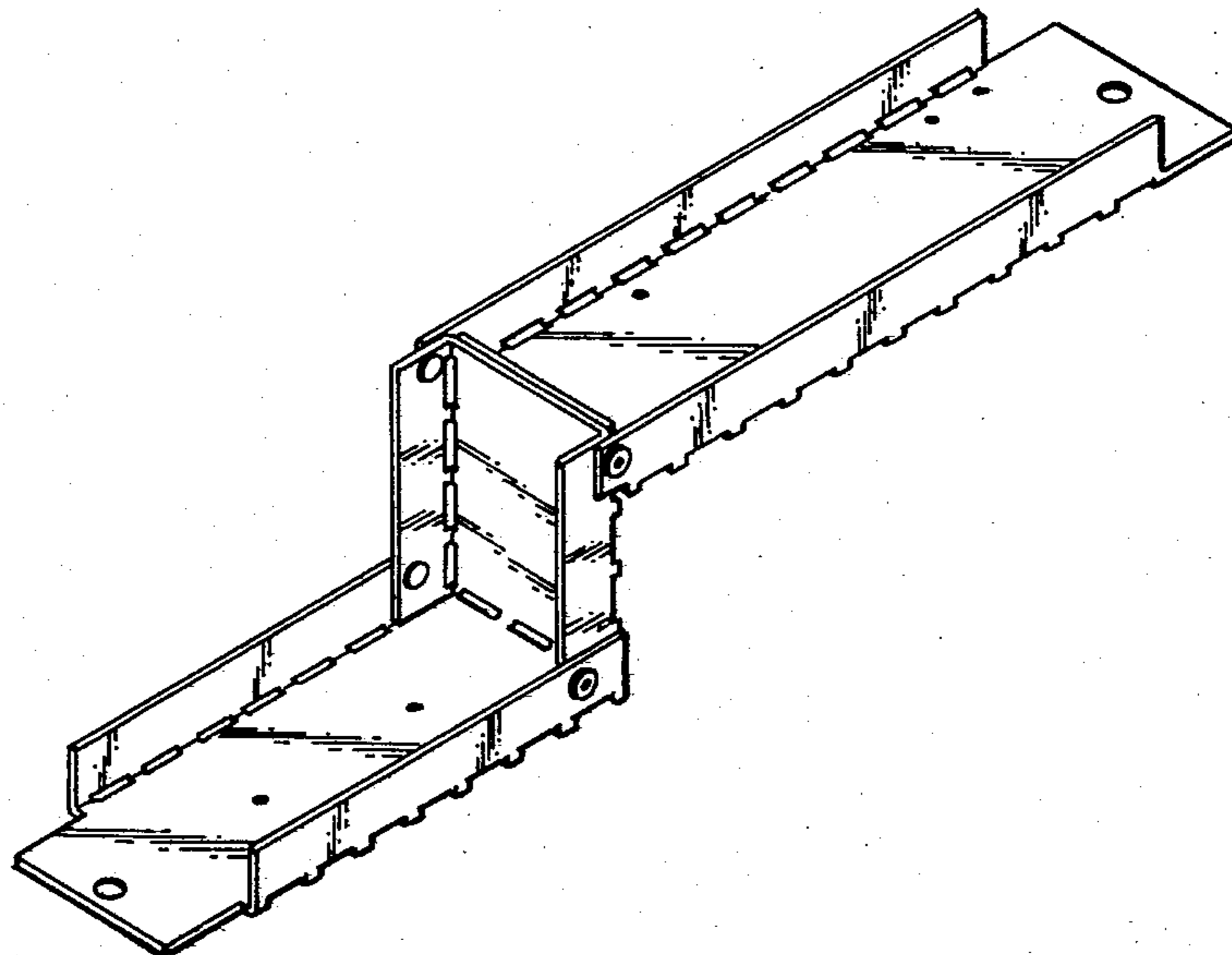


FIG. 4

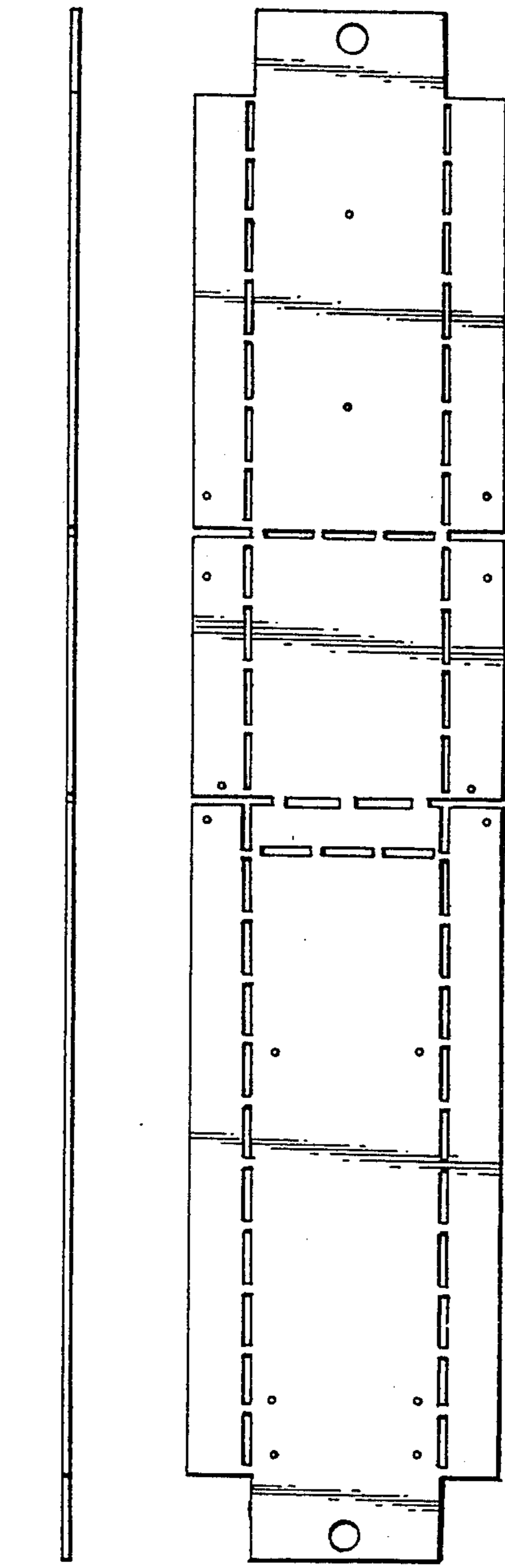
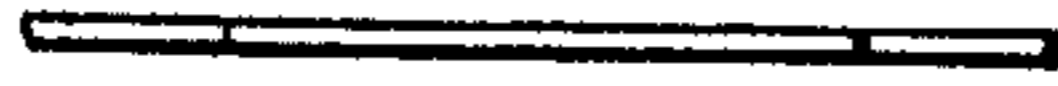


FIG. 3

FIG. 1

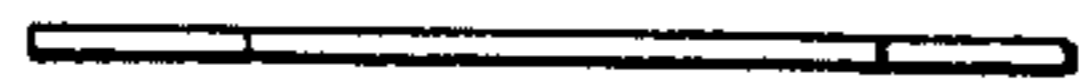


FIG. 5

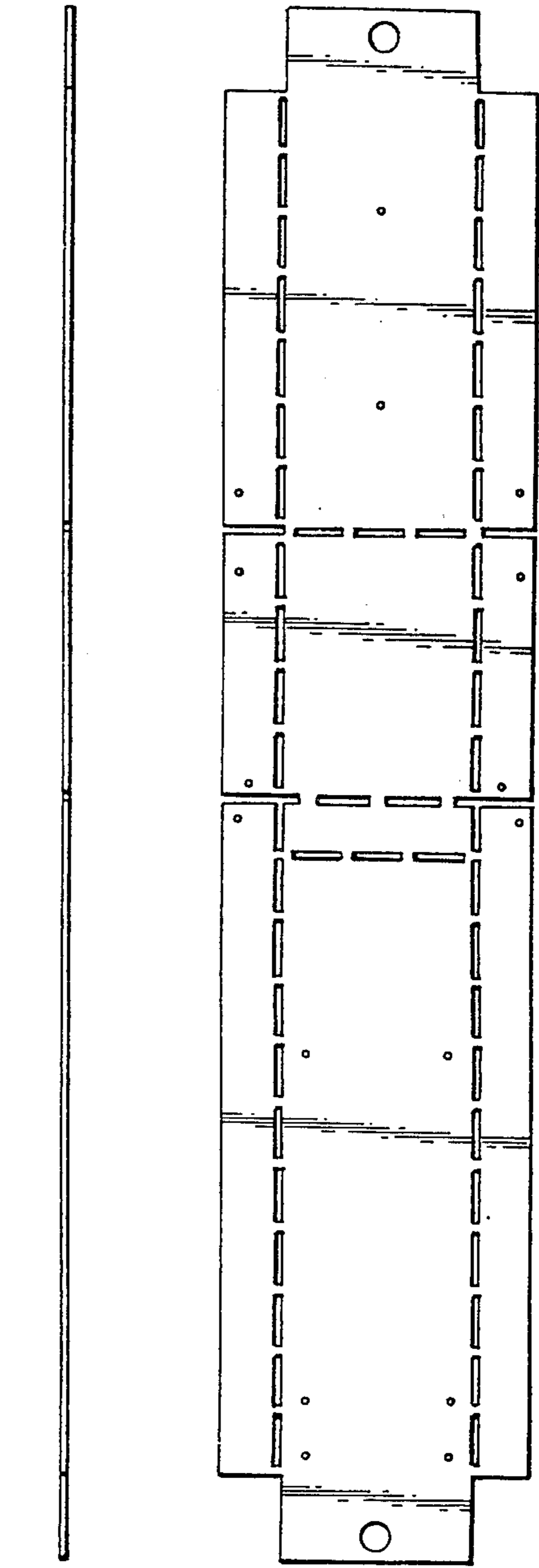


FIG. 2

FIG. 6

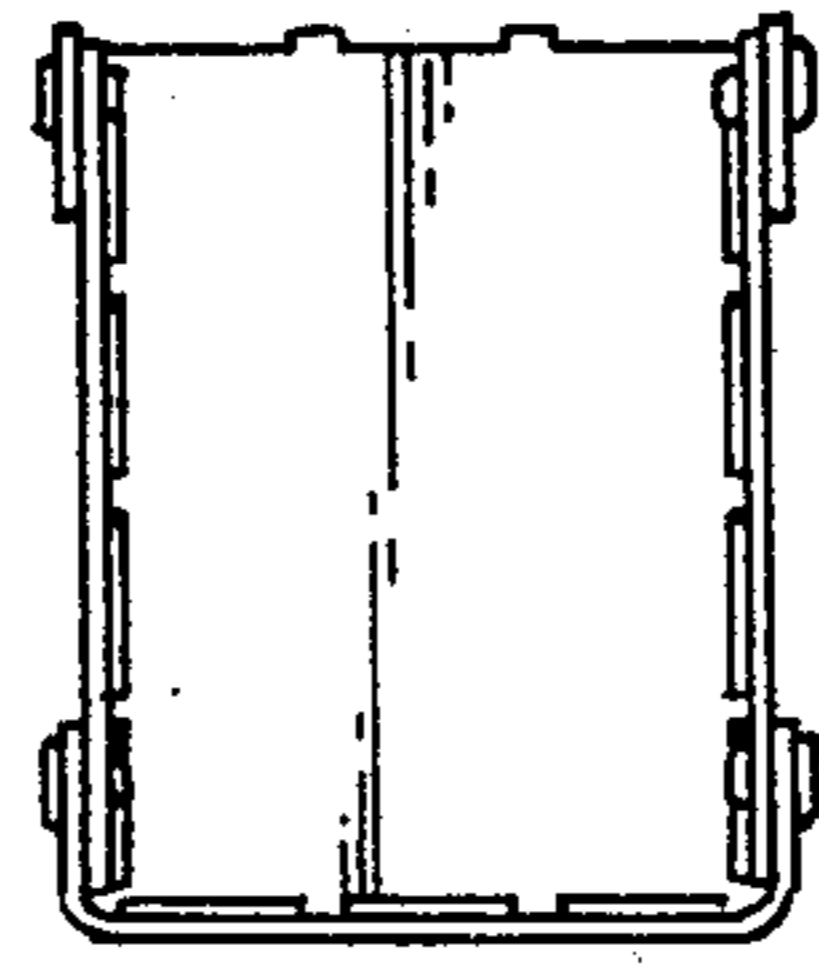


FIG. 9

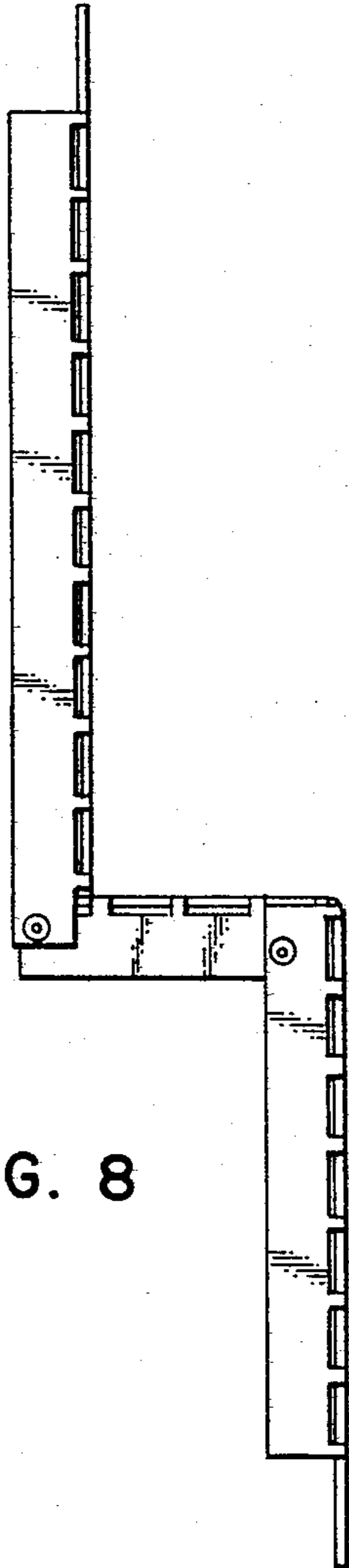


FIG. 8

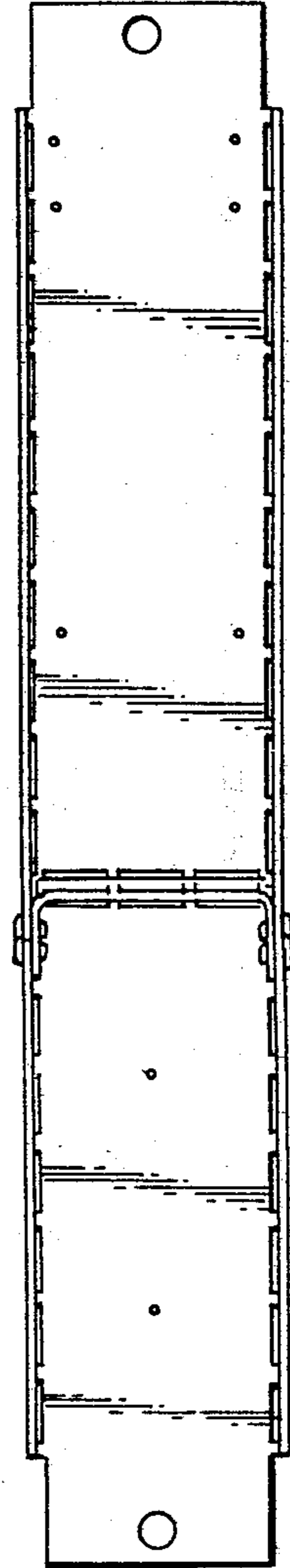


FIG. 7

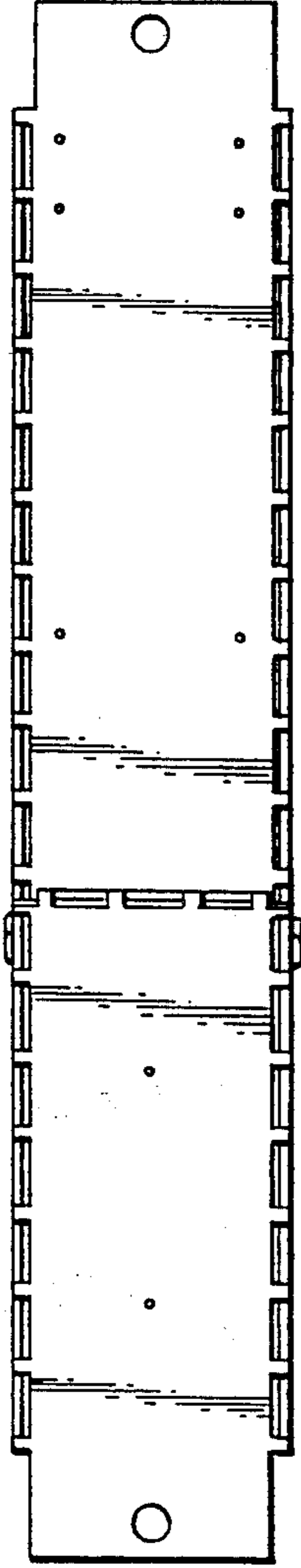


FIG. 10

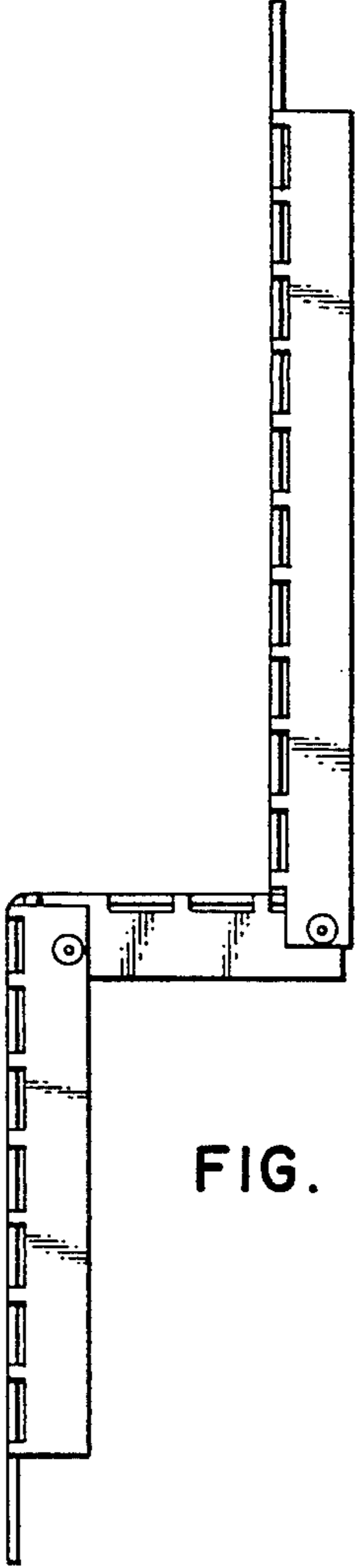


FIG. 11

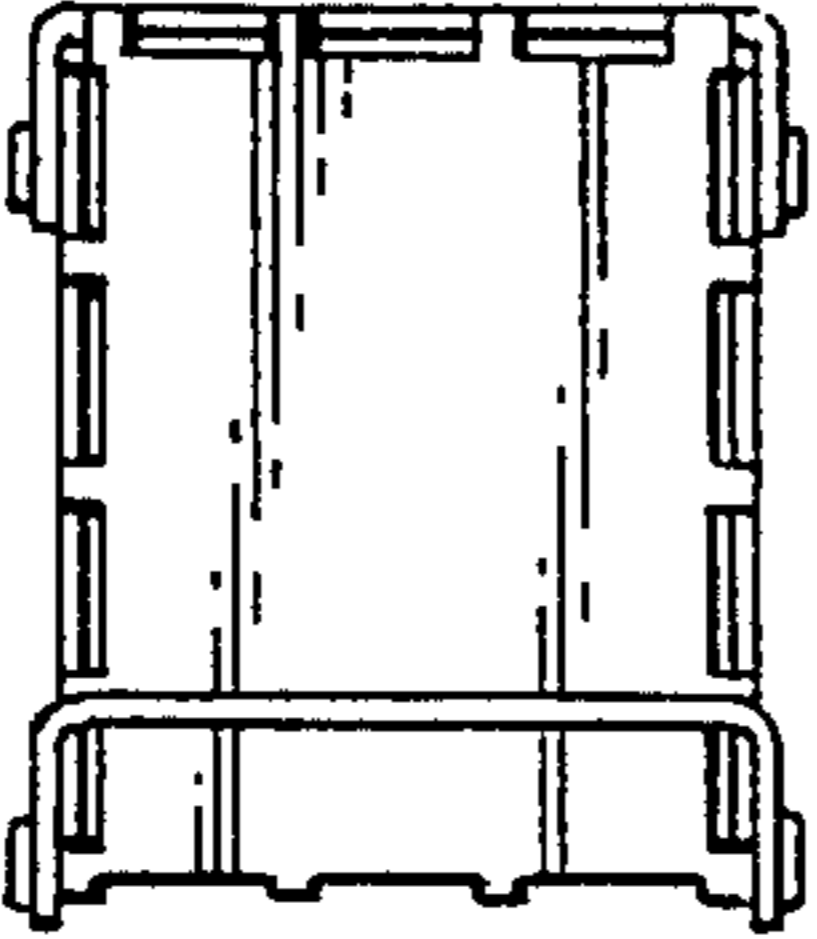


FIG. 12

FIG. 13

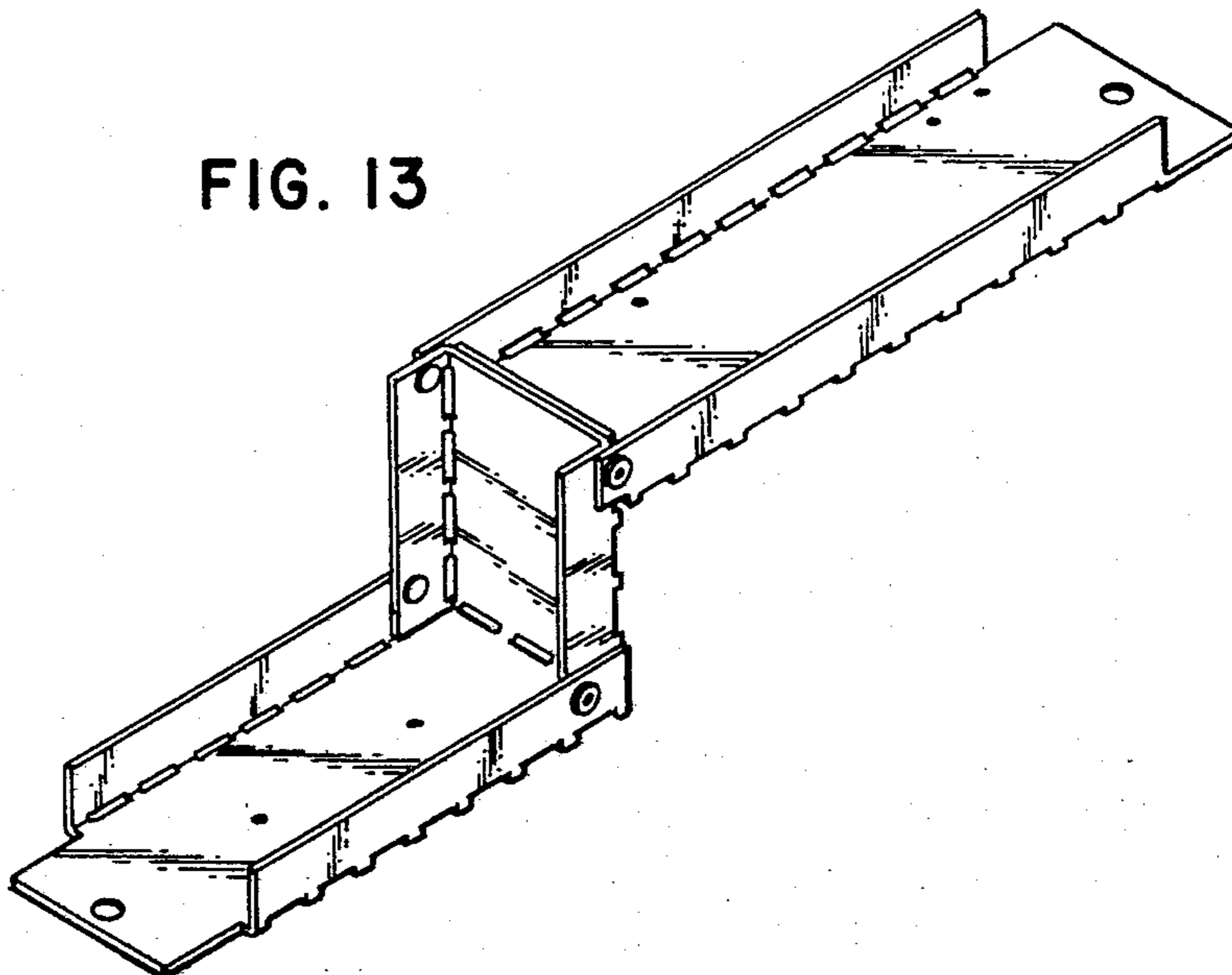


FIG. 14

