

United States Patent [19]
Jackson

[11] **Patent Number:** Des. 292,550
 [45] **Date of Patent:** ** Nov. 3, 1987

[54] **CRANK HANDLE**

[75] **Inventor:** Francis G. Jackson, Hudsonville, Mich.

[73] **Assignee:** Lear Siegler, Inc., Kalamazoo, Mich.

[**] **Term:** 14 Years

[21] **Appl. No.:** 778,519

[22] **Filed:** Sep. 20, 1985

[52] **U.S. Cl.** D8/309; D19/74; 74/545; D8/359

[58] **Field of Search** D8/358, 359, 309, 400; 74/545; D19/74; D22/140; D7/393

[56] **References Cited**

U.S. PATENT DOCUMENTS

D. 188,207	6/1960	Uebelhoer	D8/359
D. 243,173	1/1977	Bidner	D19/74
D. 249,995	10/1978	Mancellus	D19/74 X
471,328	3/1892	Pelton	74/545
1,079,472	11/1913	Craft	74/545
1,146,054	7/1915	Curry	74/545
2,062,108	11/1936	Rickerson	74/545 X

2,899,839	8/1959	Zelnick	74/545
2,961,184	11/1960	Seford	D22/140 X
3,988,946	11/1976	Gonzalez	D8/309 X
3,998,253	12/1976	Kerr, Jr.	D19/74 X

FOREIGN PATENT DOCUMENTS

1227458	8/1960	France	74/545
---------	--------	--------	-------	--------

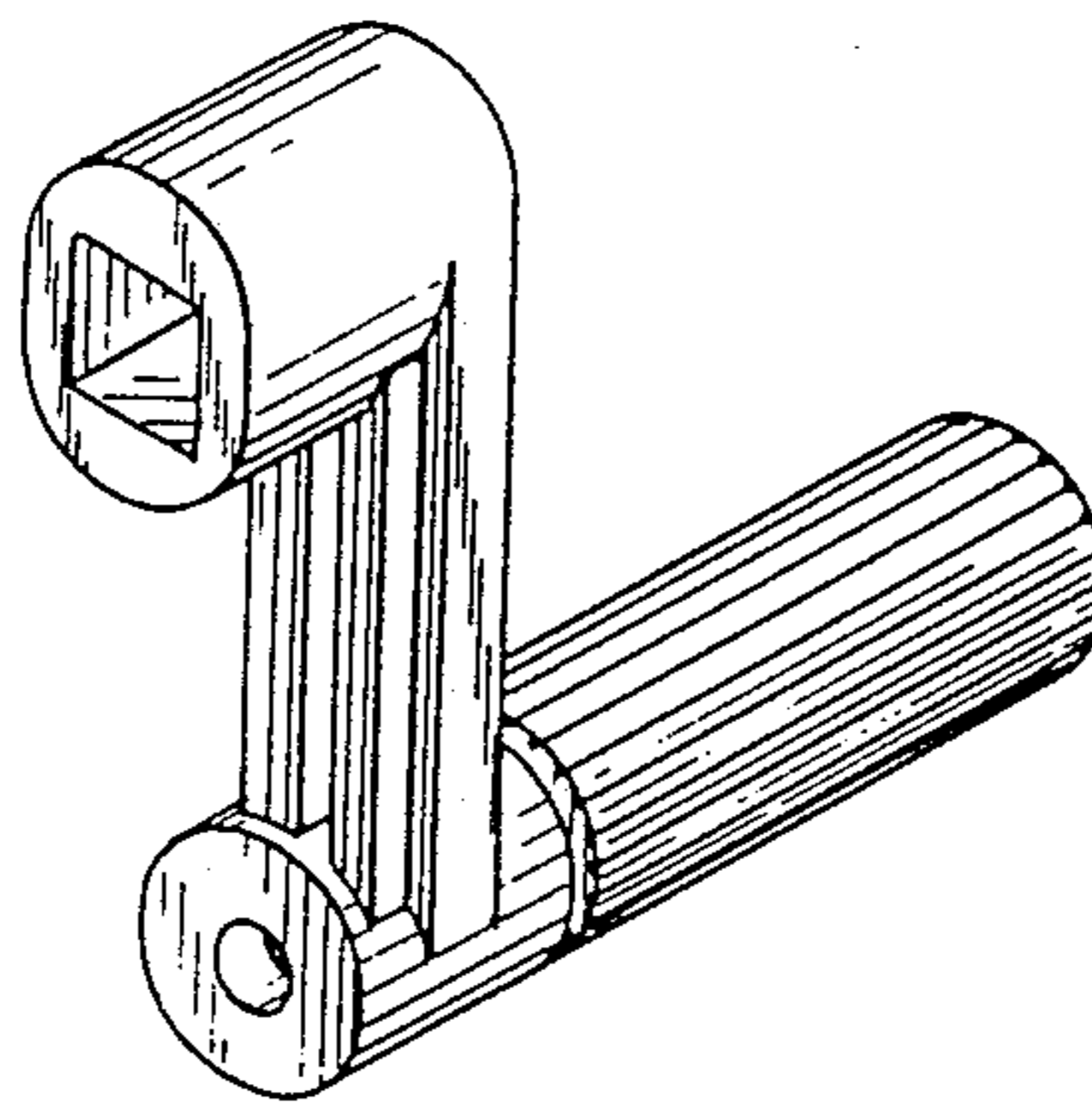
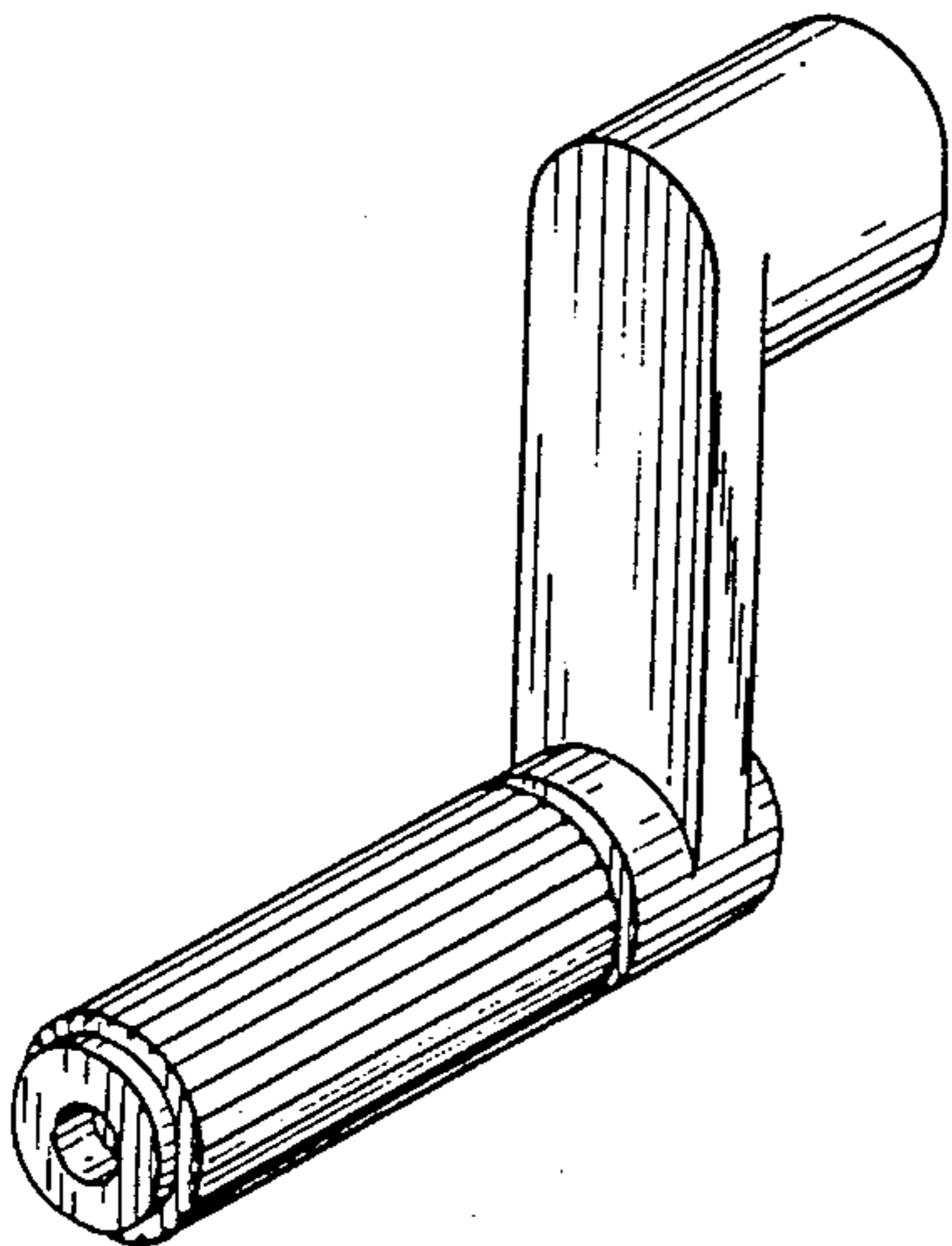
Primary Examiner—Wallace R. Burke
Assistant Examiner—Horace B. Fay

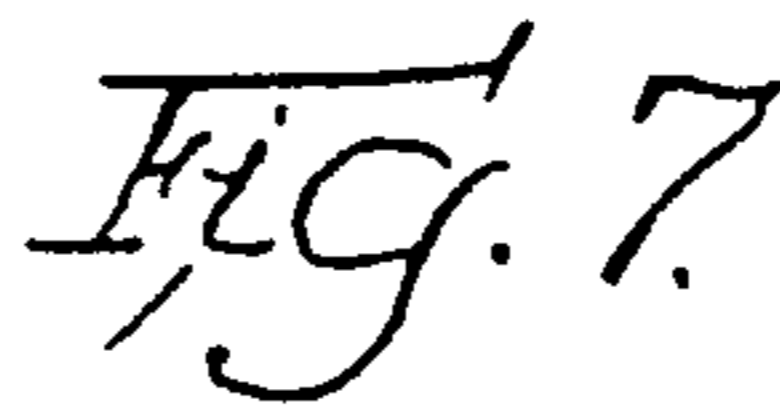
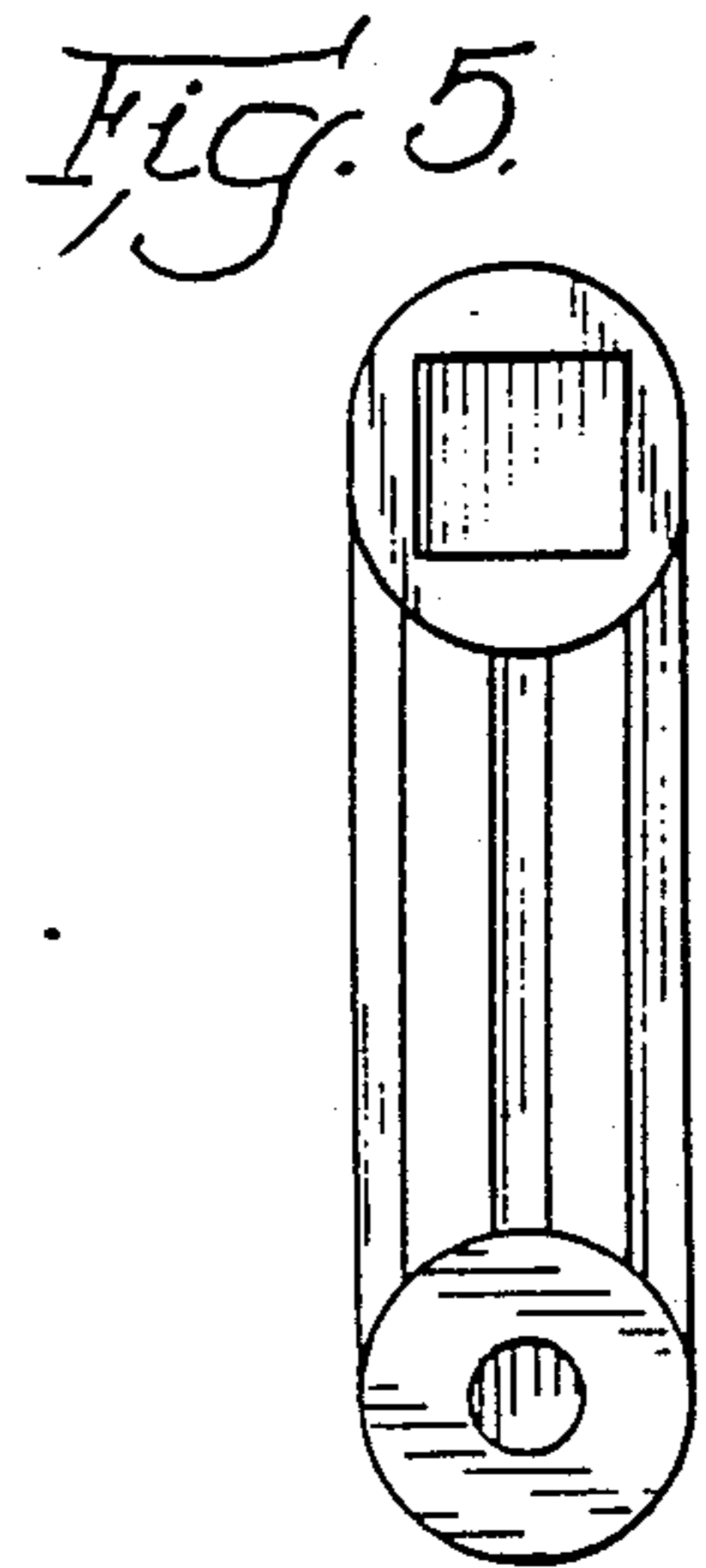
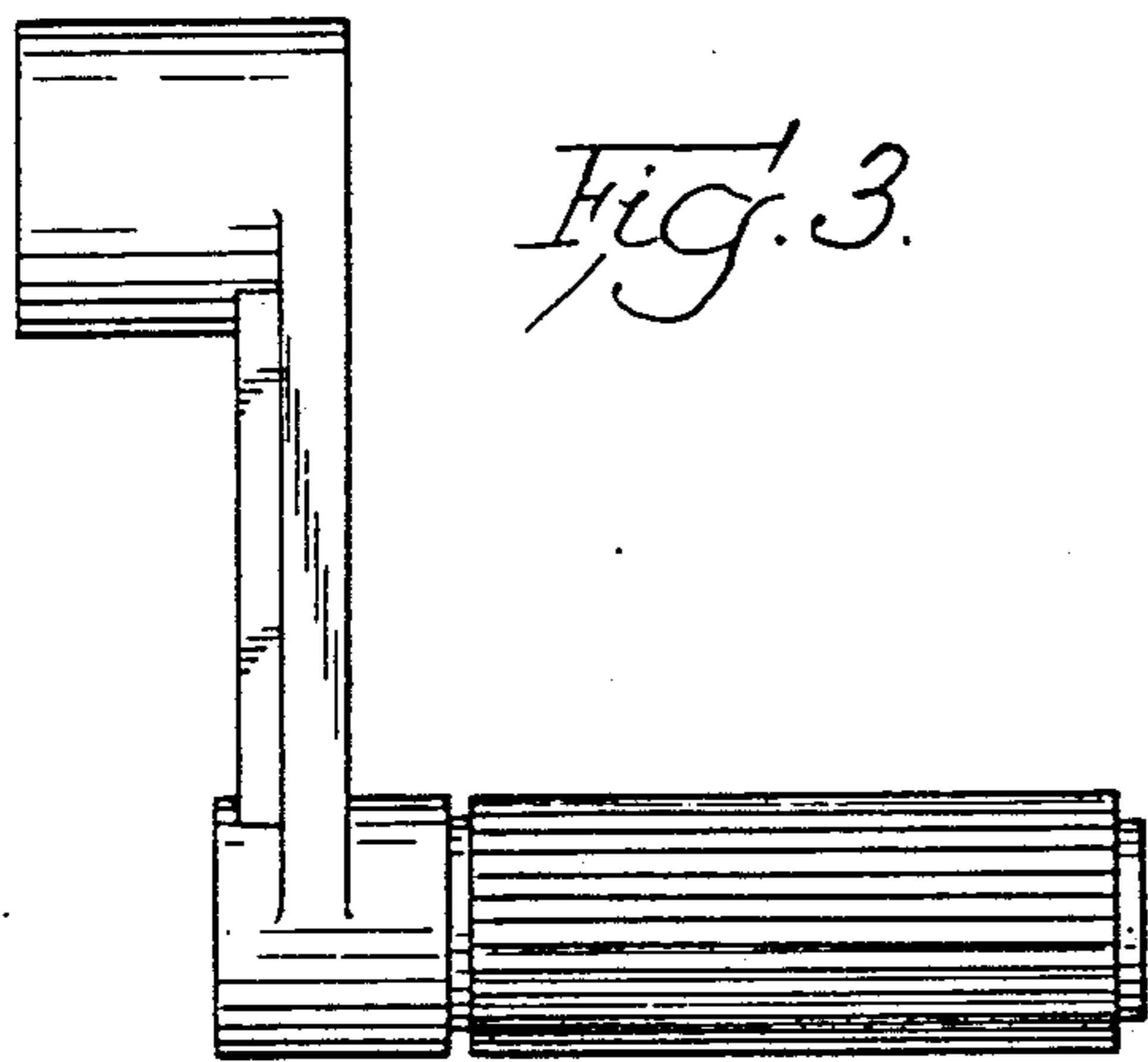
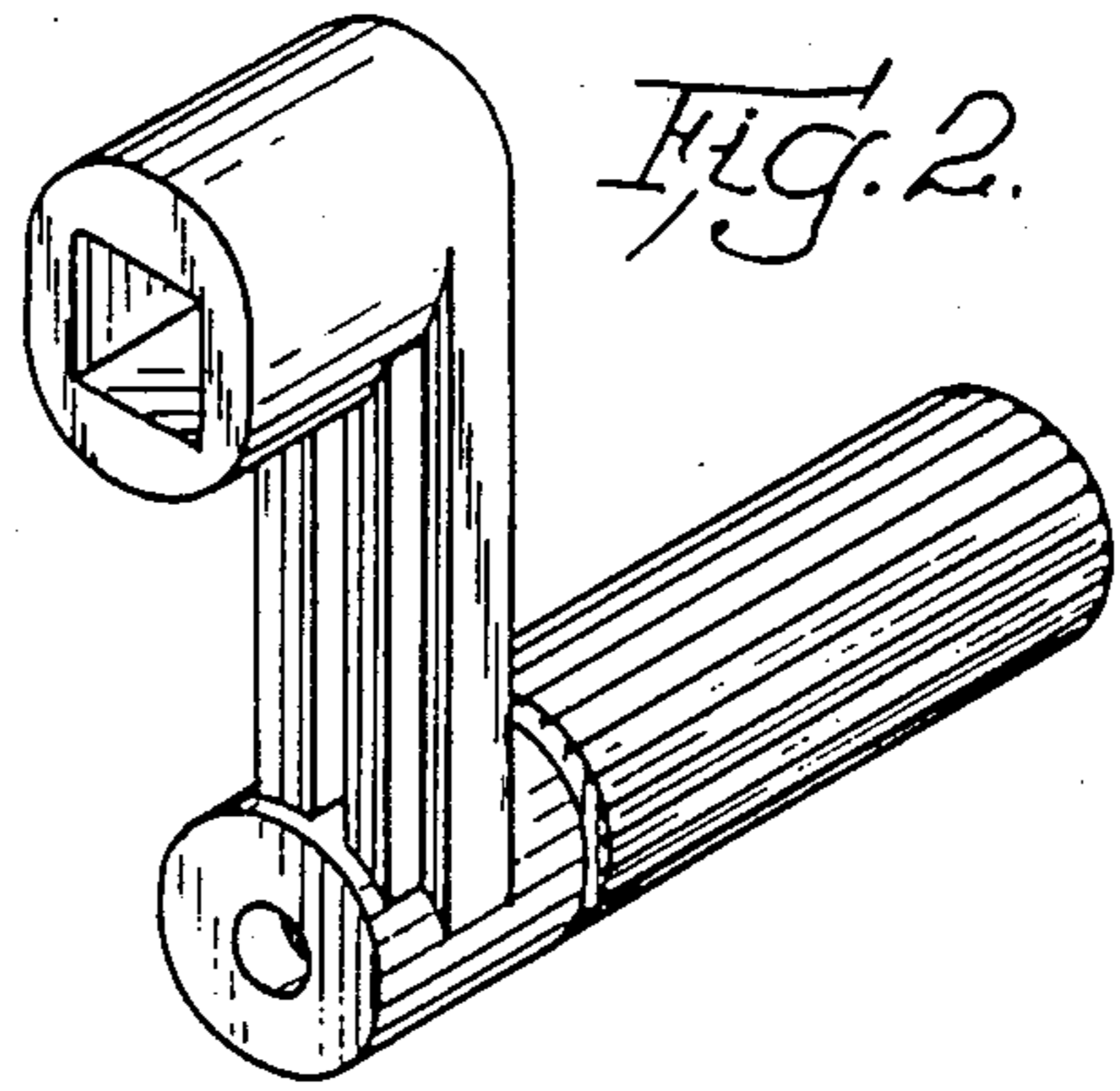
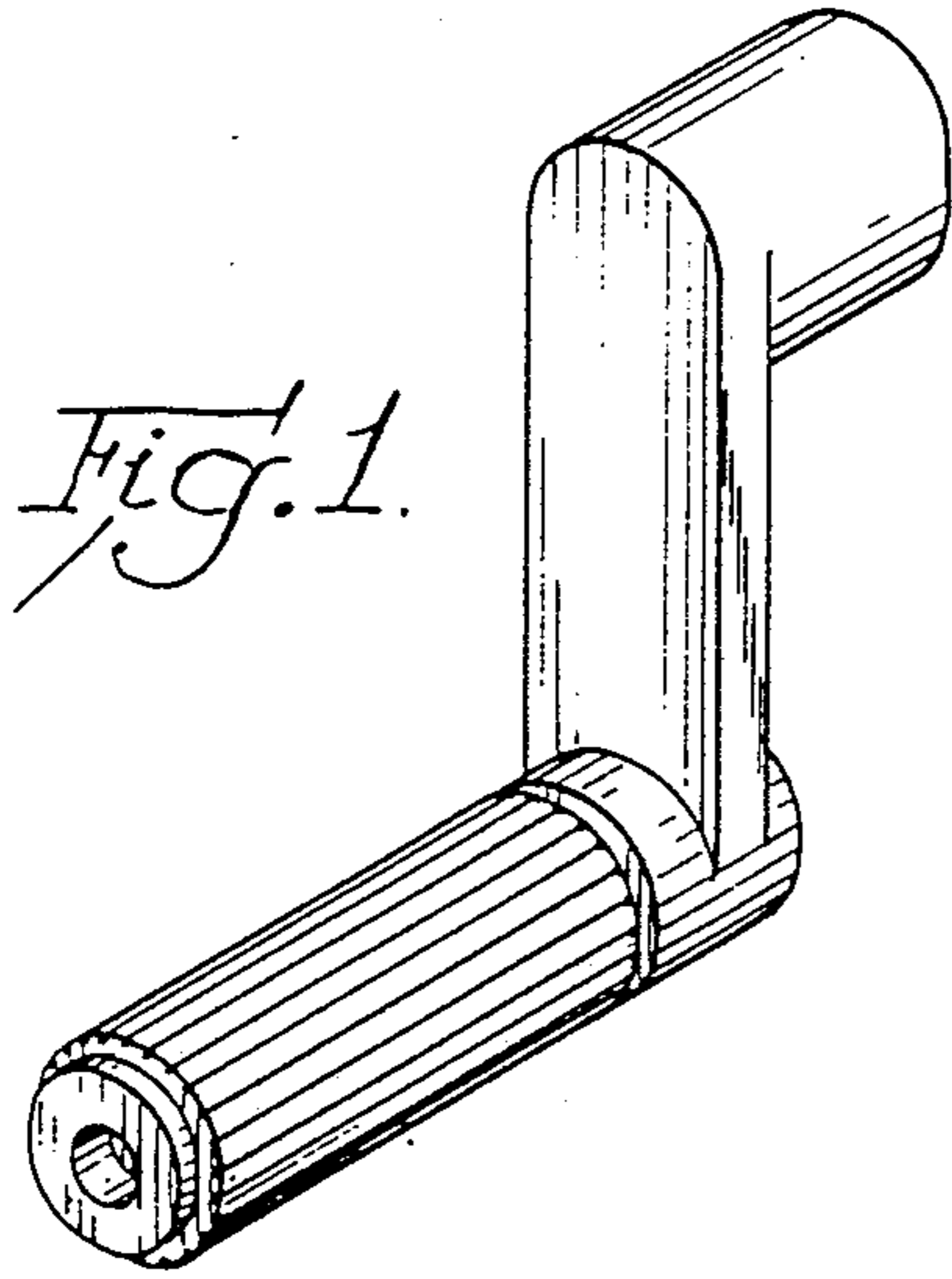
[57] **CLAIM**

The ornamental design for a crank handle, as shown and described.

DESCRIPTION

FIG. 1 is a front, top and right side perspective view of a crank handle showing my new design;
 FIG. 2 is a rear, top and left side perspective view thereof;
 FIG. 3 is a left side elevational view thereof, the side opposite being a mirror image thereof;
 FIGS. 4 and 5 are respectively front and rear elevational views thereof; and
 FIGS. 6 and 7 are respectively top and bottom plan views thereof.





UNITED STATES PATENT AND TRADEMARK OFFICE
CERTIFICATE OF CORRECTION

PATENT NO. : Des. 292,550
DATED : November 3, 1987
INVENTOR(S) : Francis G. Jackson

It is certified that error appears in the above—identified patent and that said Letters Patent is hereby corrected as shown below:

Title Page, second column, under "Assistant Examiner — Horace B. Fay" insert the following as a new line;
-- Attorney, Agent, or Firm — Gordon W. Hueschen --

**Signed and Sealed this
Sixth Day of September, 1988**

Attest:

DONALD J. QUIGG

Attesting Officer

Commissioner of Patents and Trademarks