

[54] BARBEQUE

[76] Inventor: John C. Bayer, 3400 Patton Way, Bakersfield, Calif. 93308

[**] Term: 14 Years

[21] Appl. No.: 789,405

[22] Filed: Oct. 21, 1985

[52] U.S. Cl. D7/332

[58] Field of Search D7/331-333, D7/334-336, 341-342, 337, 408-409; 99/419, 421 R, 421 A, 421 H, 421 HV, 444-446, 449-450; 126/25 R, 25 A, 25 AA, 25 B, 26, 29-30, 2-3, 9 R, 36, 59, 152 R, 152 A, 152 B, 153-154

[56] References Cited

U.S. PATENT DOCUMENTS

D. 204,579 4/1966 Weatherly D7/334

D. 282,519 2/1986 Sustana D7/334
D. 285,279 8/1986 Arevalo et al. D7/334

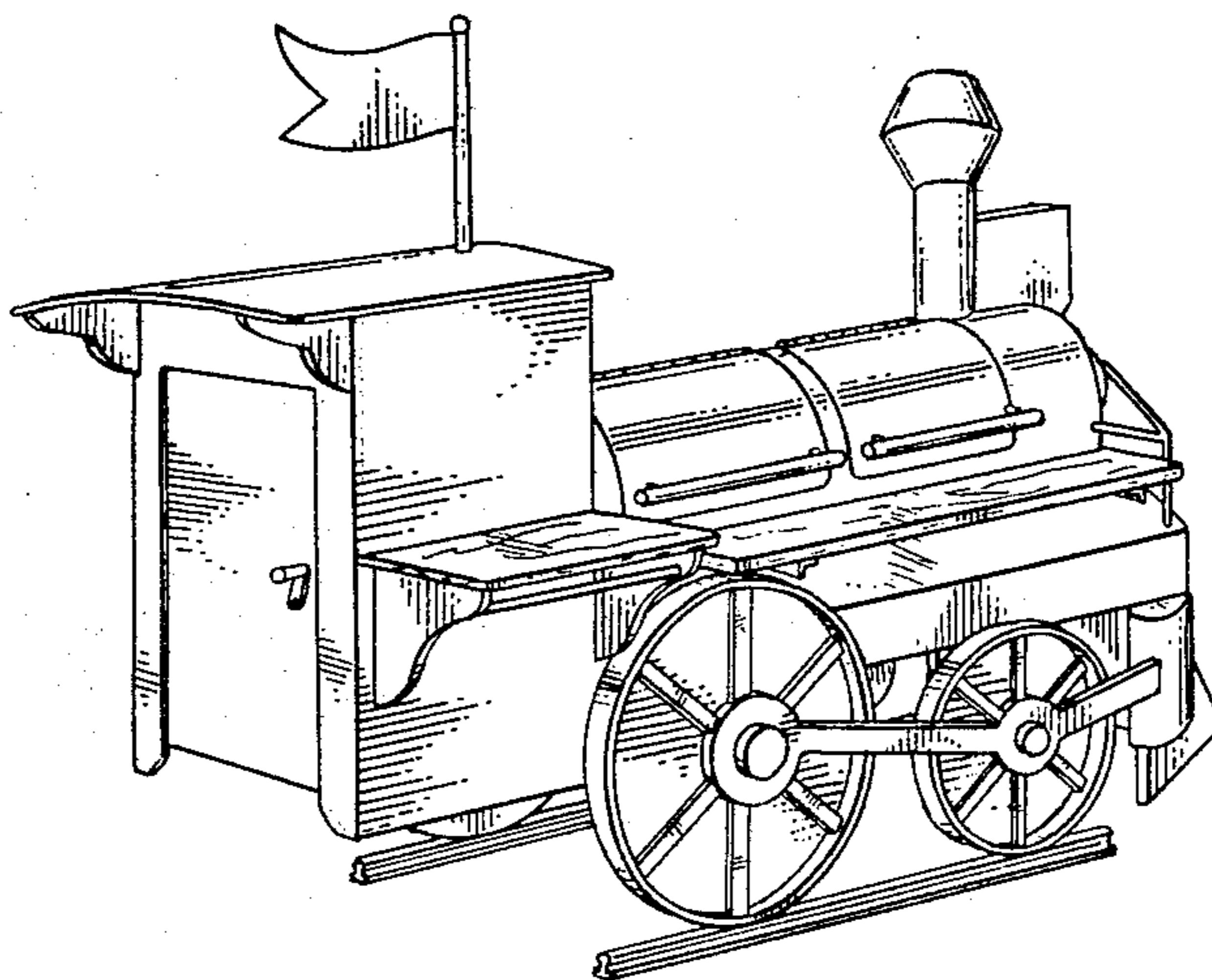
Primary Examiner—B. J. Bullock
Assistant Examiner—Ruth E. Takemoto
Attorney, Agent, or Firm—Dennis B. Haase

[57] CLAIM

The ornamental design for a barbeque, as shown.

DESCRIPTION

FIG. 1 is a front perspective view of a barbeque showing my new design;
FIG. 2 is a top plan view thereof;
FIG. 3 is a rear elevational view thereof;
FIG. 4 is a front elevational view thereof;
FIG. 5 is a left side elevational view thereof;
FIG. 6 is a right side elevational view thereof;
FIG. 7 is a front perspective view thereof, with the grill in an open position; and
FIG. 8 is a bottom plan view thereof.



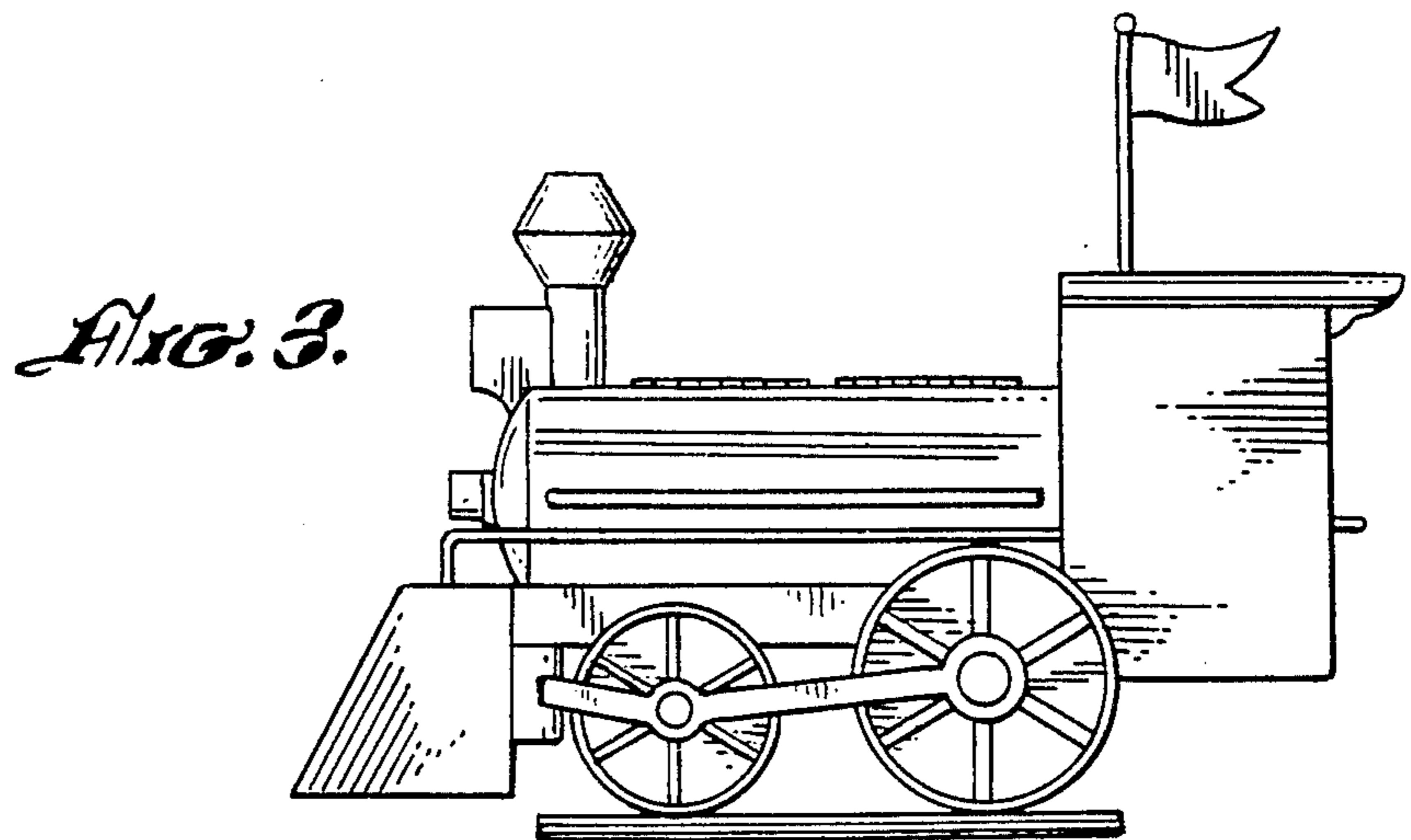
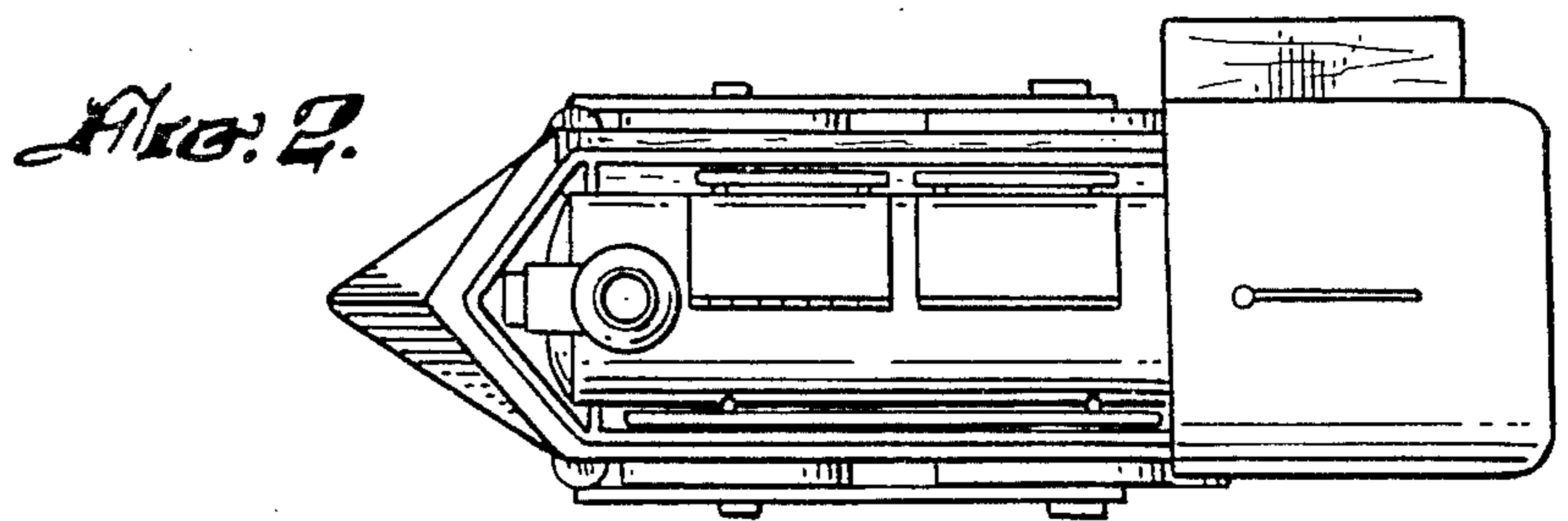
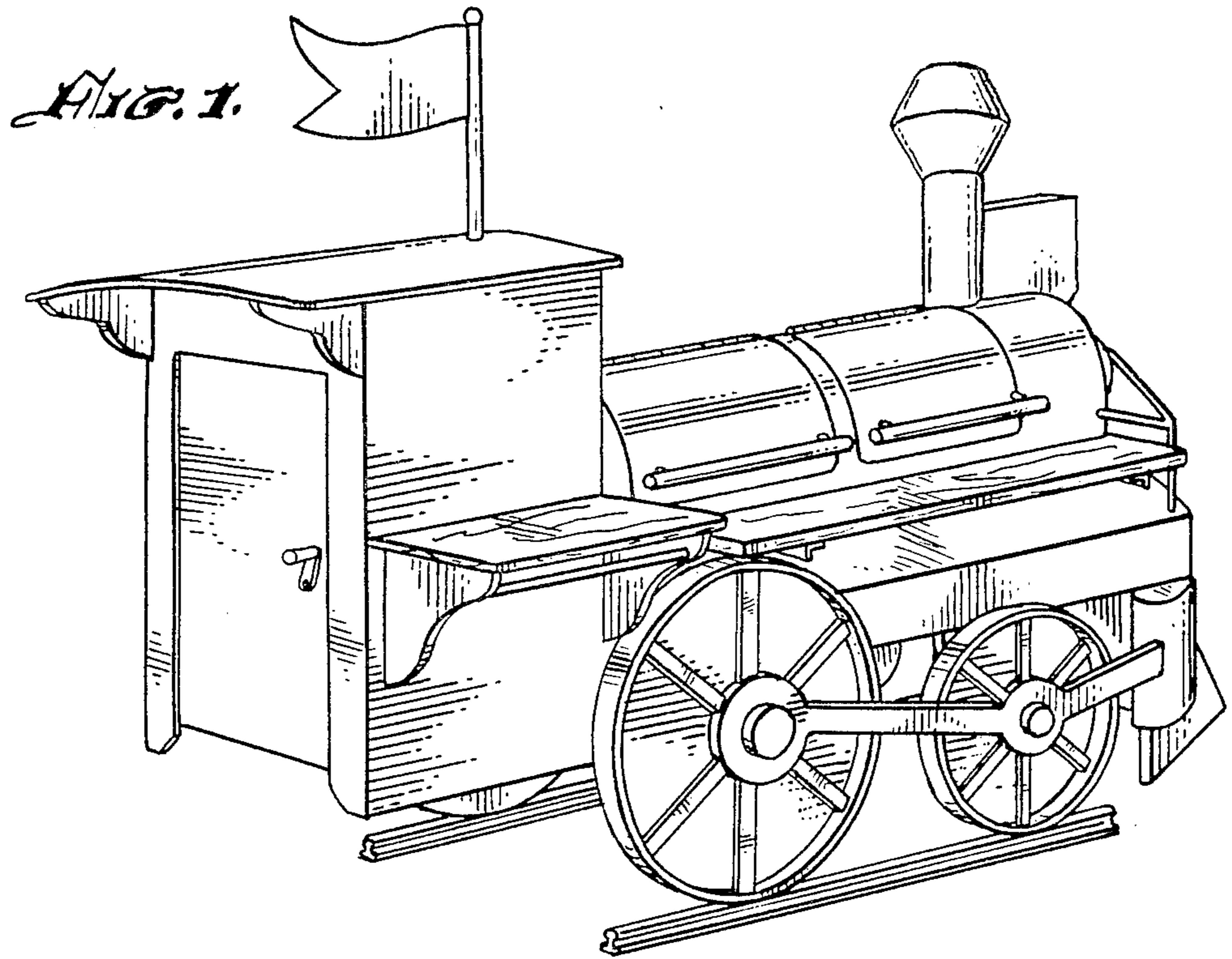


FIG. 4.

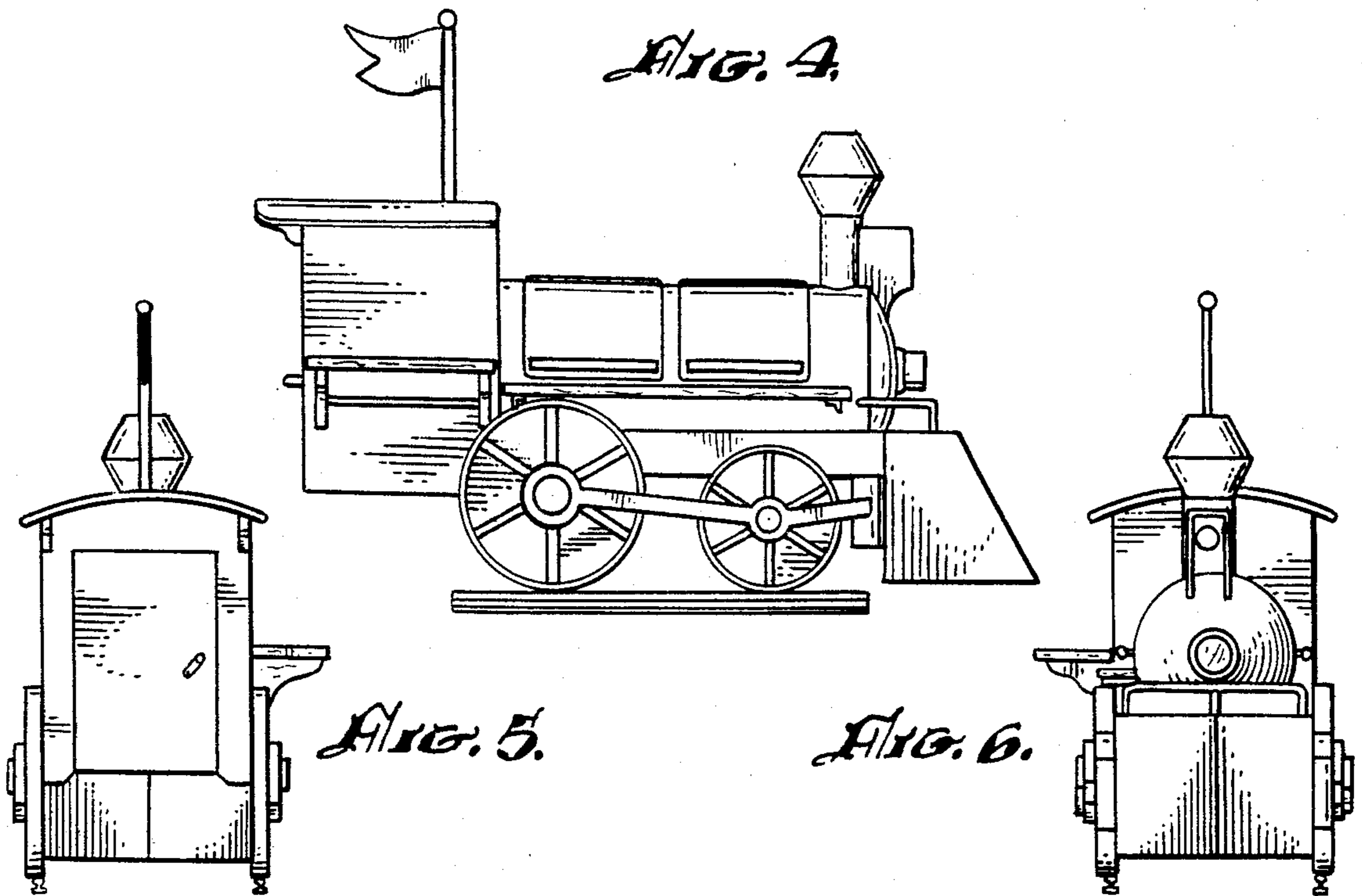


FIG. 5.

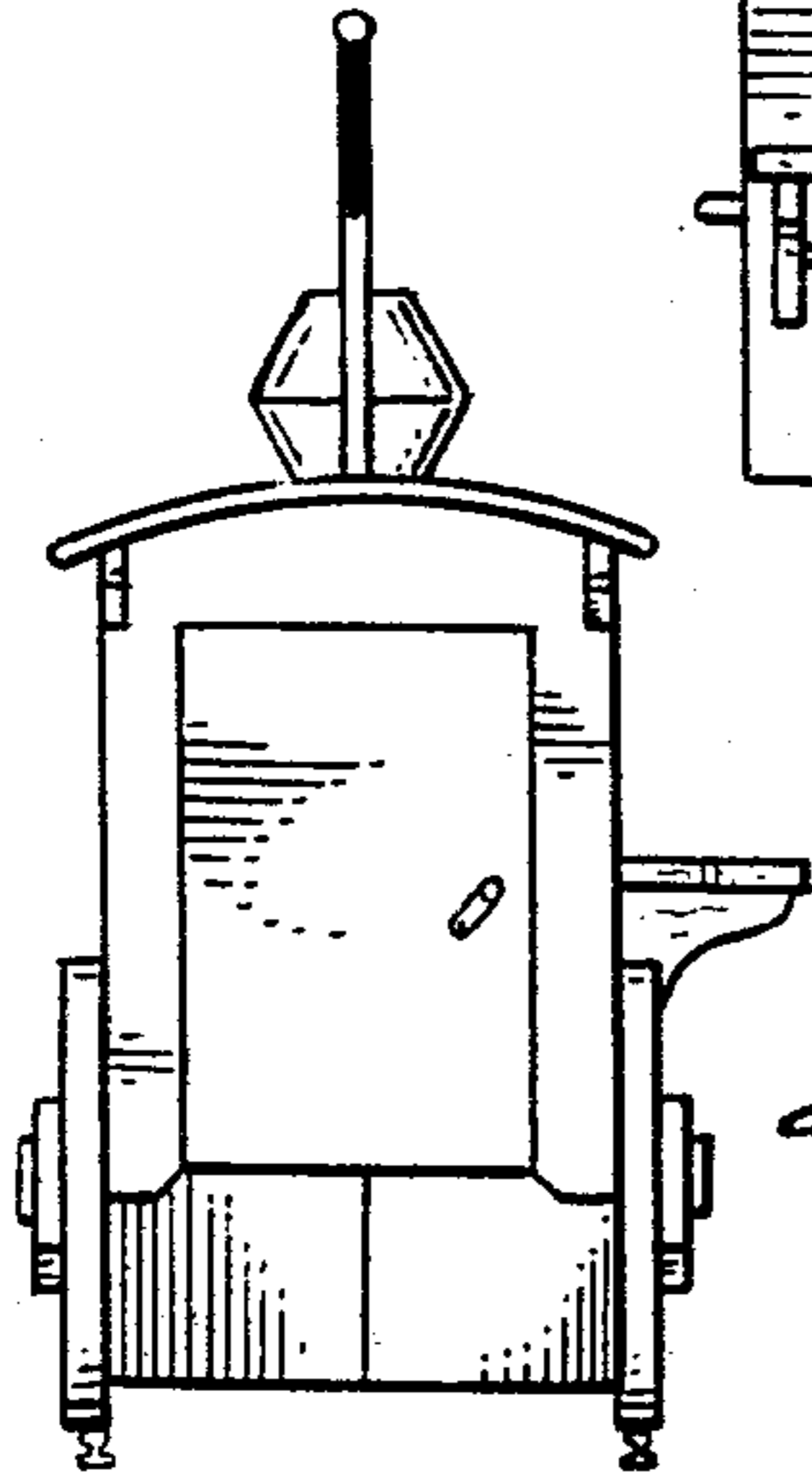


FIG. 6.

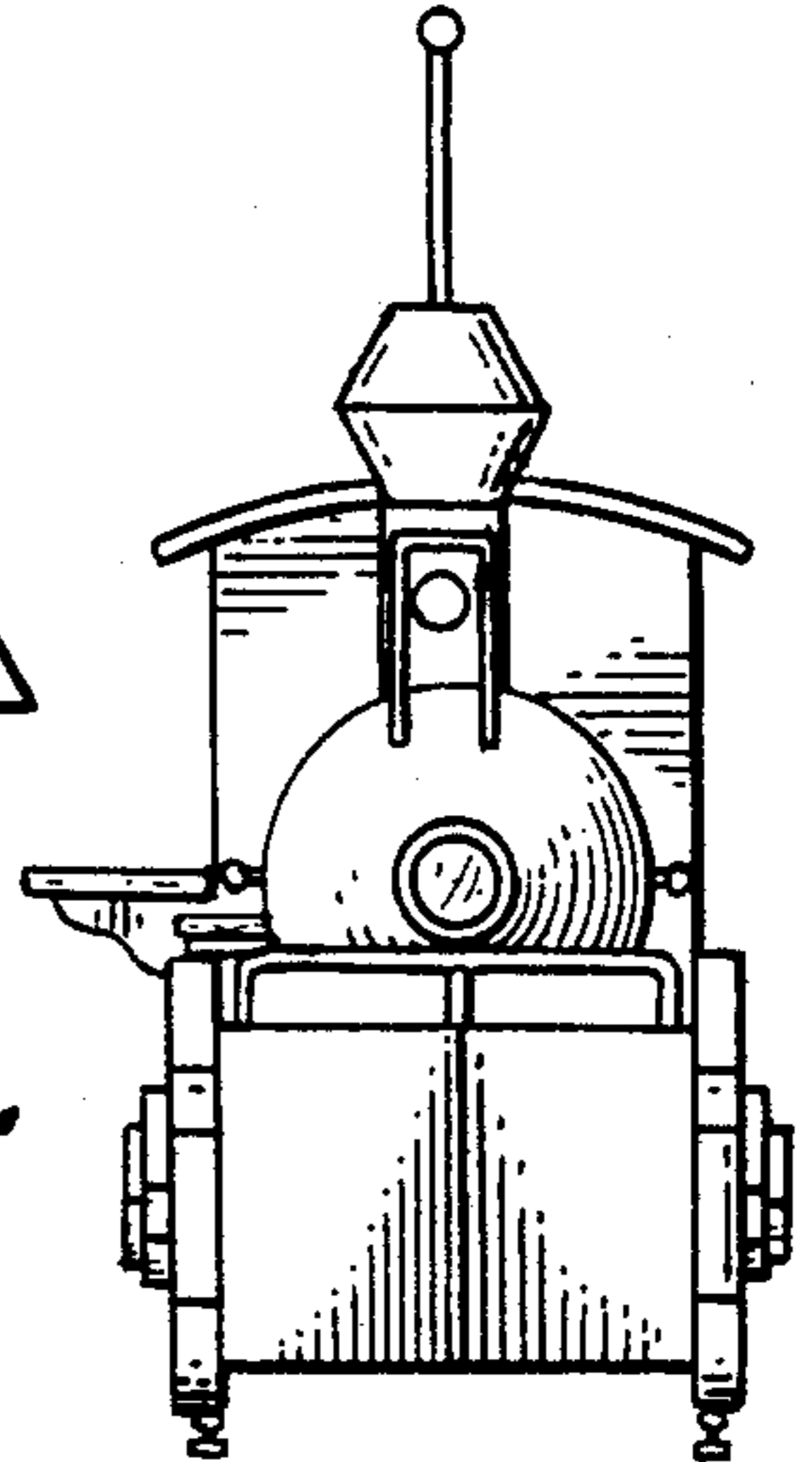


FIG. 7.

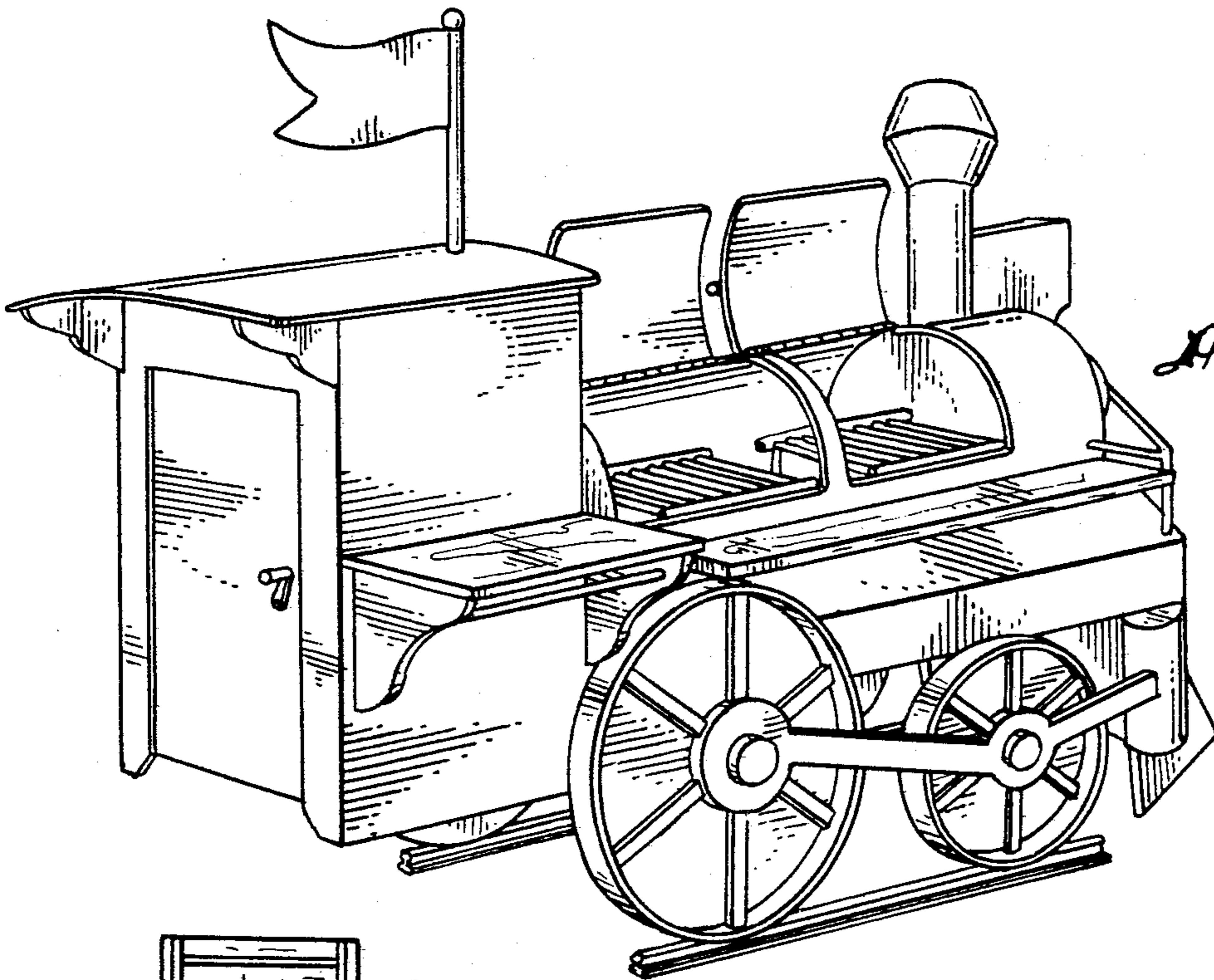


FIG. 8.

