

[54] RECESSED TISSUE HOLDER

[75] Inventor: Raymond U. H. Tegner, Lodi, Wis.

[73] Assignee: Amerock Corporation, Rockford, Ill.

[**] Term: 14 Years

[21] Appl. No.: 792,211

[22] Filed: Oct. 28, 1985

[52] U.S. Cl. D6/523

[58] Field of Search D6/515, 518, 519, 520, D6/521, 522, 523; 242/55.2

[56] References Cited

U.S. PATENT DOCUMENTS

- D. 231,292 2/1974 Tegner .
- D. 234,174 1/1975 Tegner .
- D. 235,398 6/1975 Tegner D6/523
- D. 239,069 3/1976 Read et al. D6/523
- D. 253,381 11/1979 Tegner .
- 2,604,285 7/1952 Knoch 312/39

OTHER PUBLICATIONS

Amerock Catalog, No. 108; p. 4; Tissue Roll Holder No. 9049.

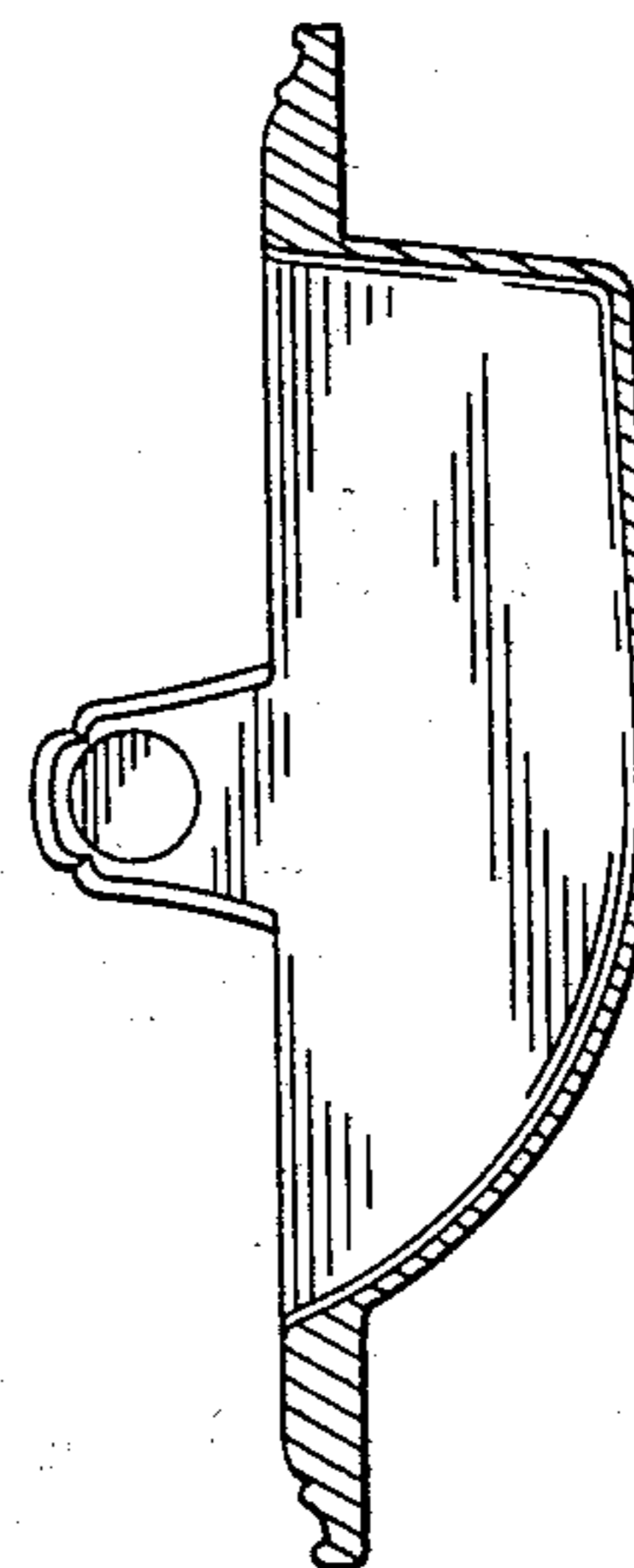
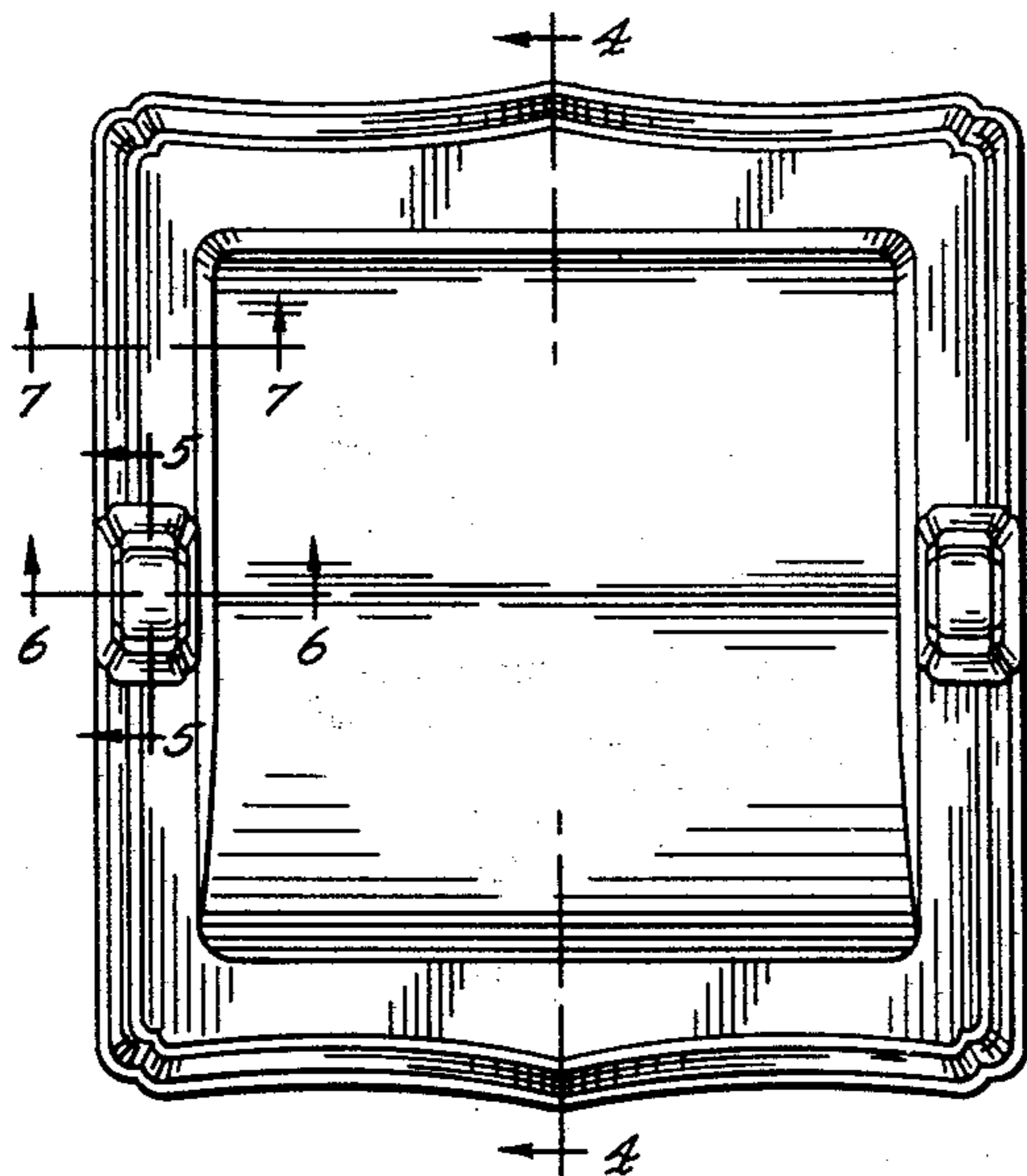
Primary Examiner—B. J. Bullock
Attorney, Agent, or Firm—Leydig, Voit & Mayer

[57] CLAIM

The ornamental design for a recessed tissue holder, as shown and described.

DESCRIPTION

FIG. 1 is a front view of a recessed tissue holder showing my new design;
 FIG. 2 is a bottom view thereof, the being a mirror image;
 FIG. 3 is a right side view thereof, the left being a mirror image;
 FIG. 4 is a sectional view taken in the direction of the arrows on line 4—4 of FIG. 1;
 FIG. 5 is an enlarged fragmentary sectional view taken in the direction of the arrows on line 5—5 of FIG. 1;
 FIG. 6 is an enlarged fragmentary sectional view taken in the direction of the arrows on line 6—6 of FIG. 1;
 FIG. 7 is an enlarged fragmentary sectional view taken in the direction of the arrows on line 7—7 of FIG. 1.



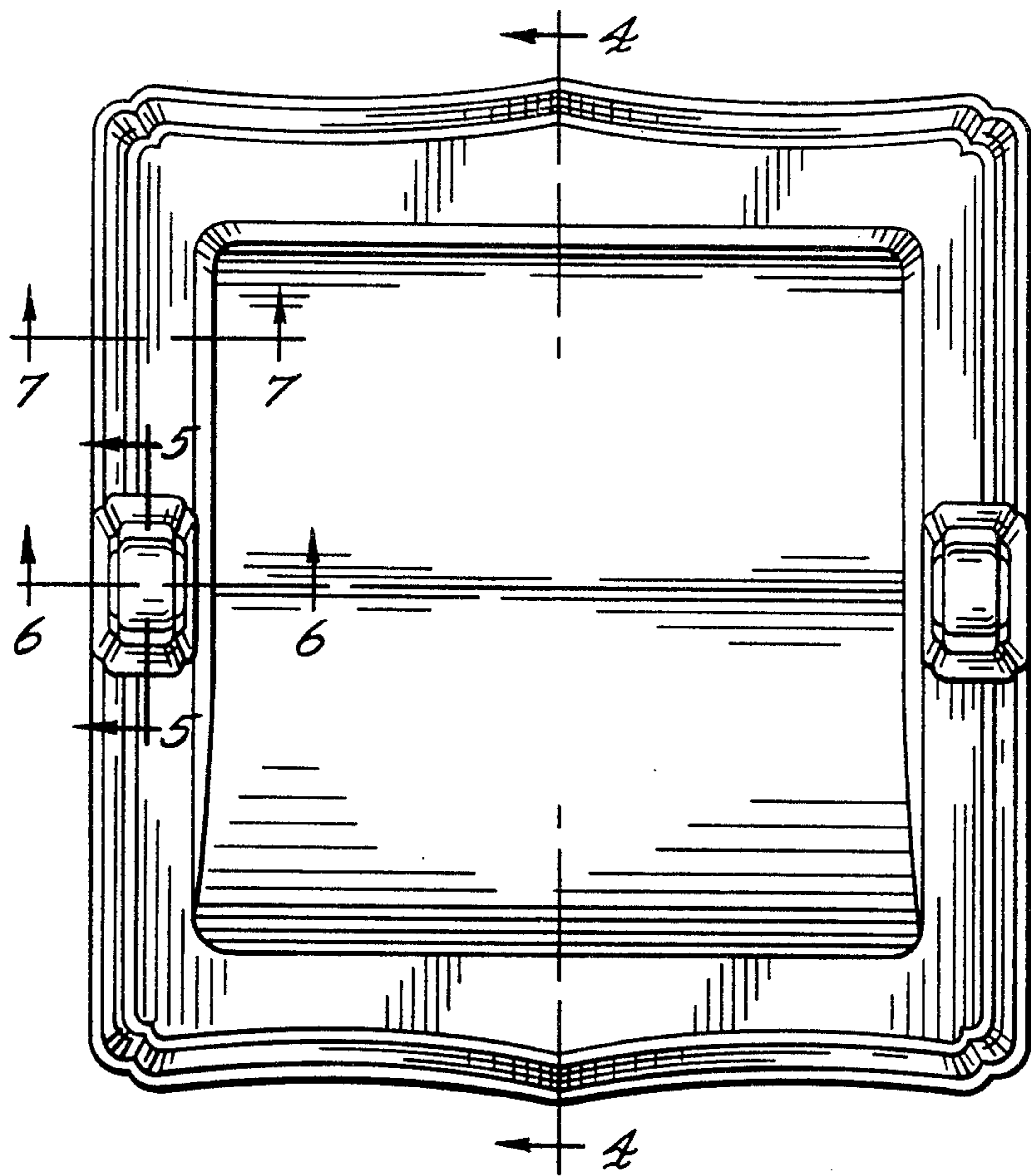


FIG. 1.

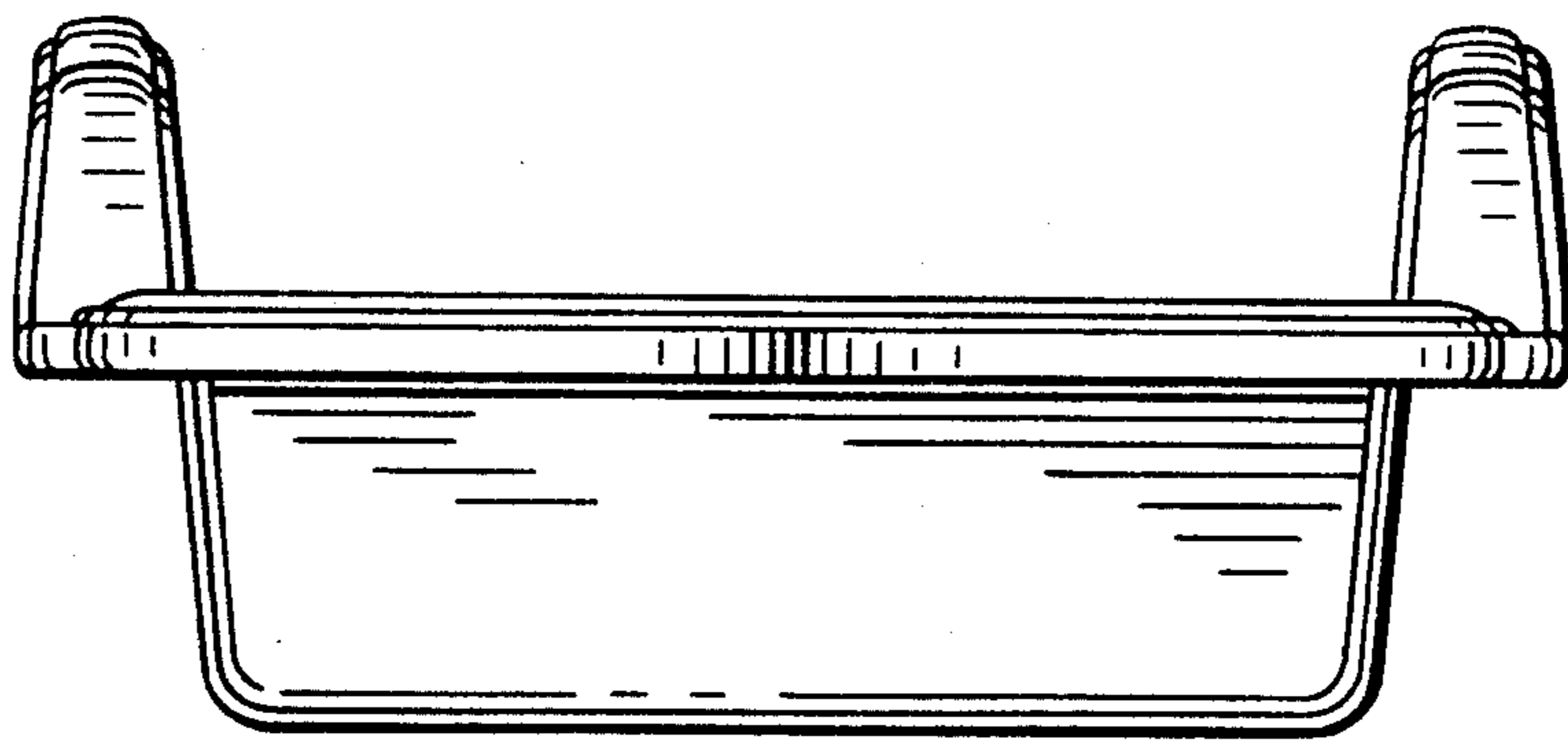


FIG. 2.

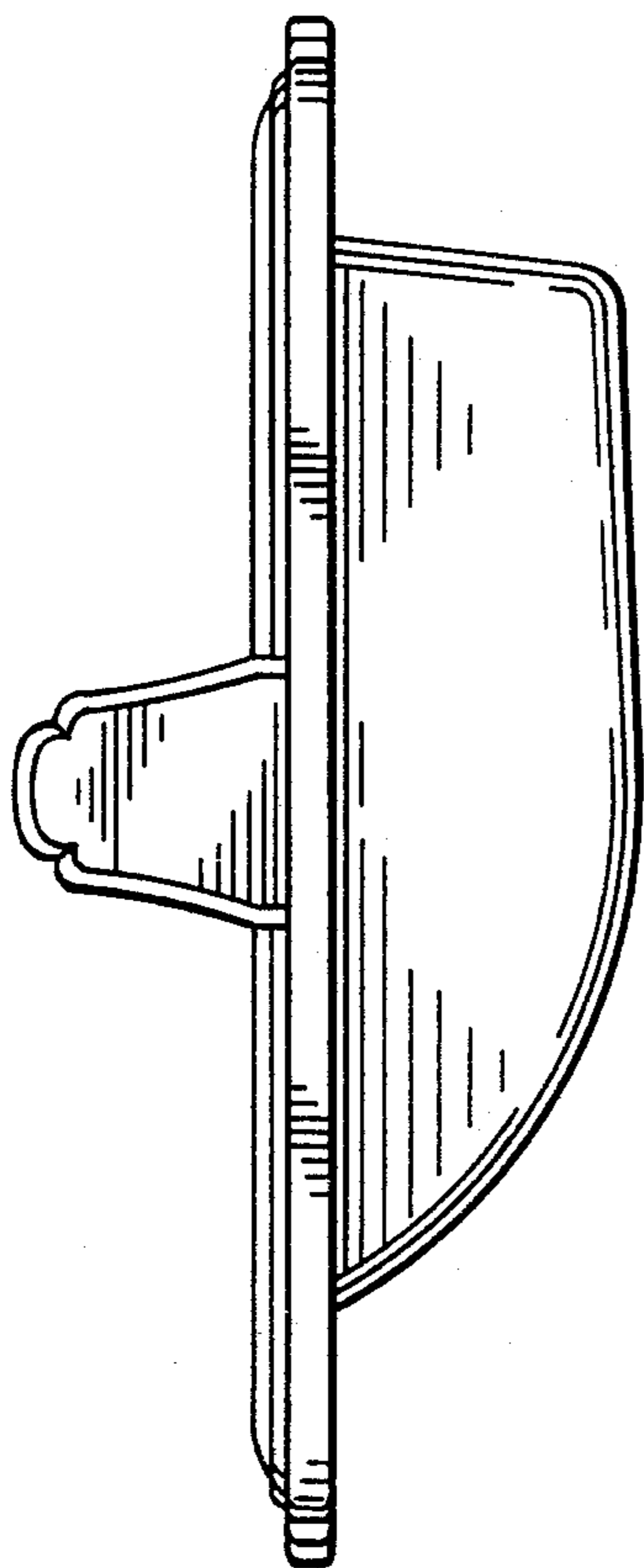


FIG. 3.

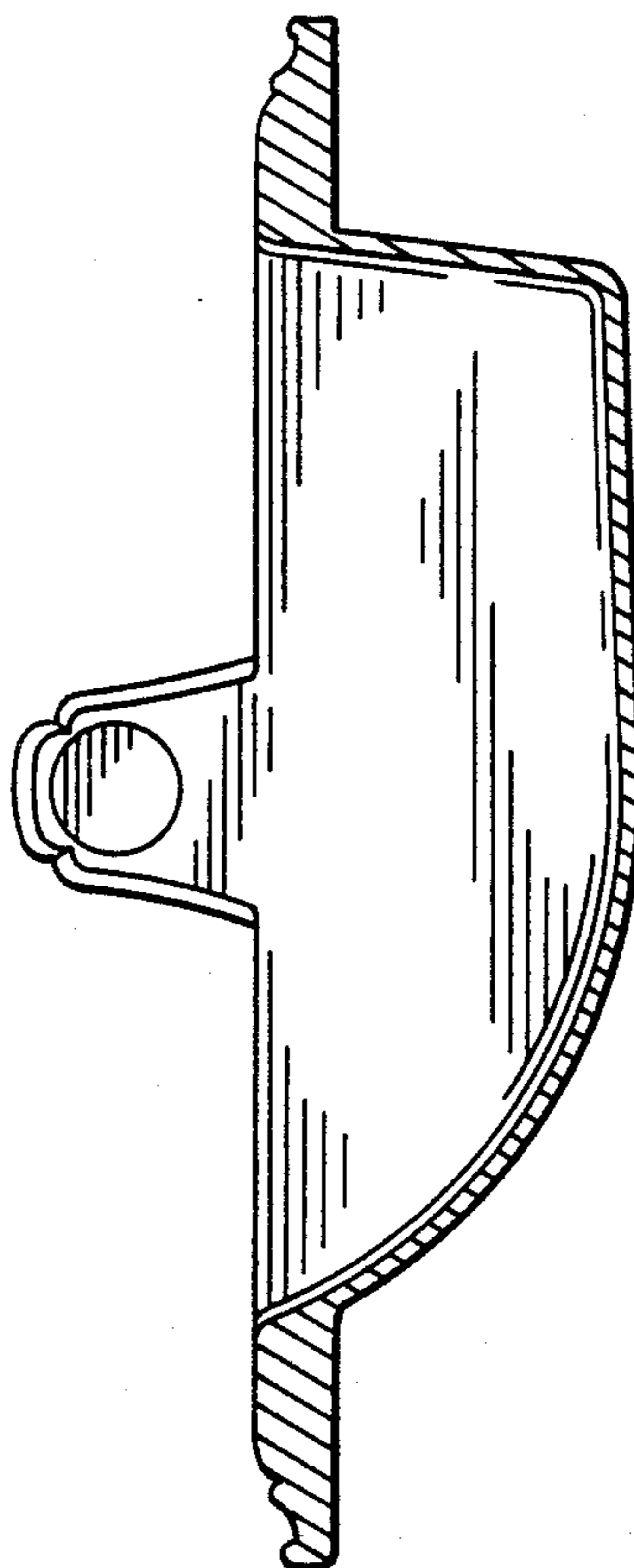


FIG. 4.

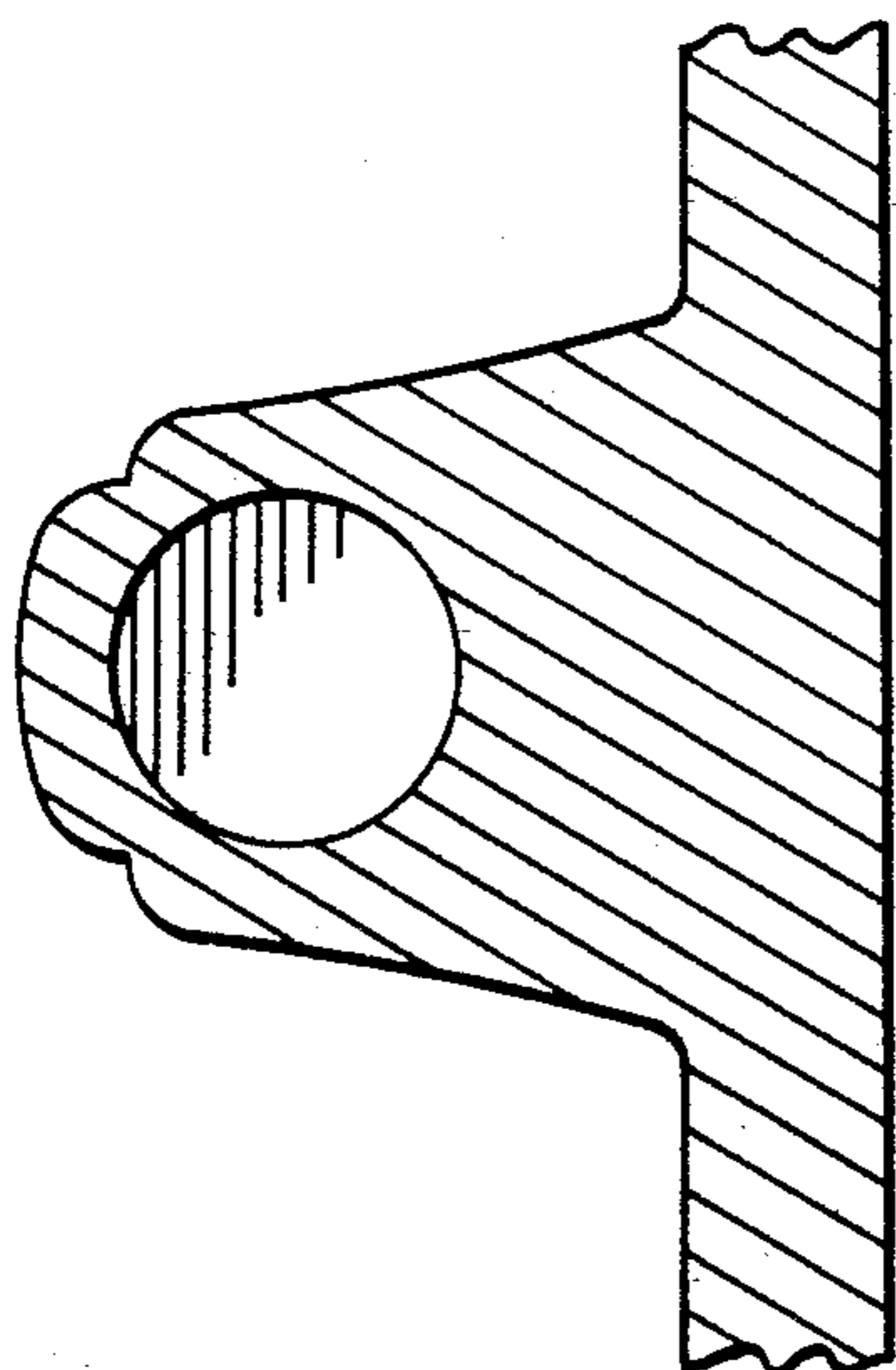


FIG. 5.

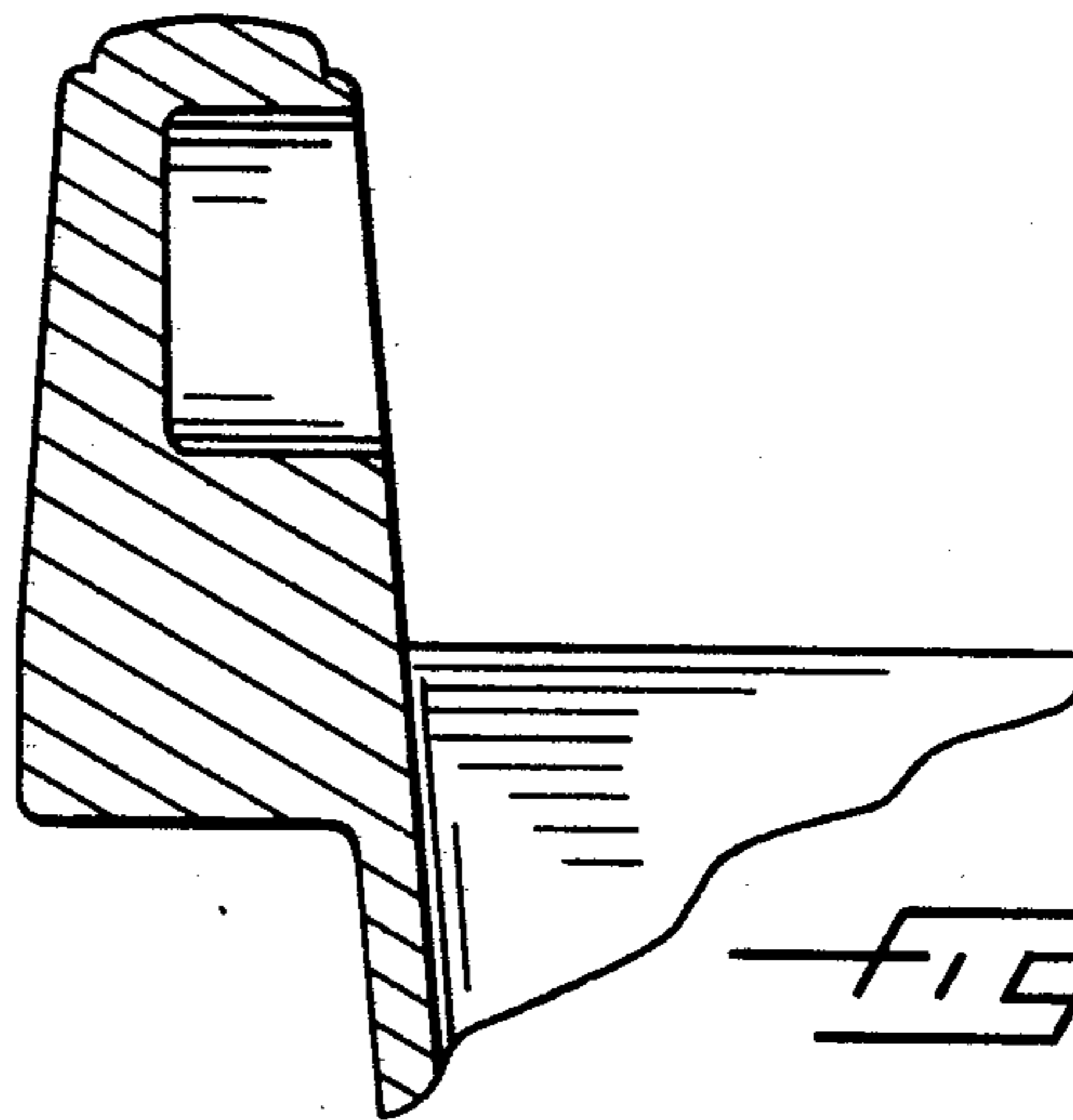


FIG. 6.

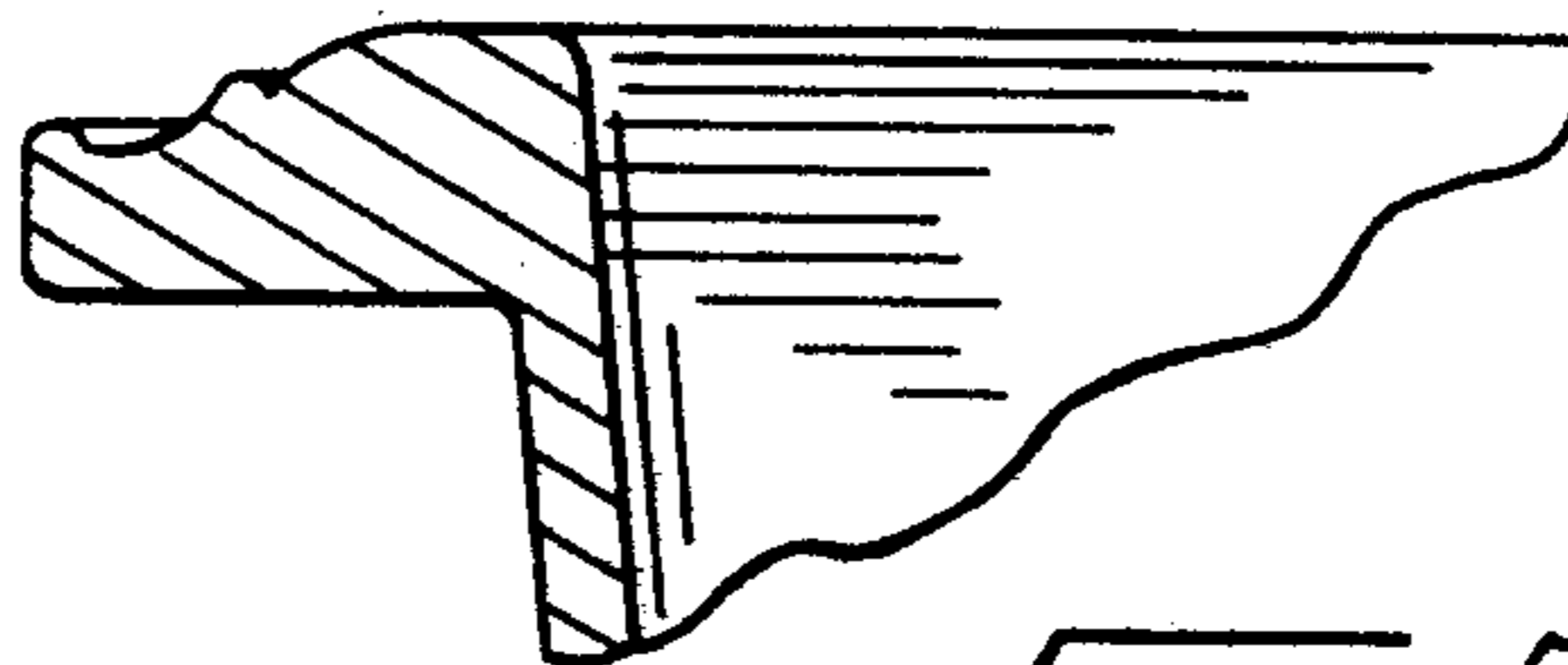


FIG. 7.