

[54] WALL LAMP

[75] Inventor: Jerry Van Deelen, New York, N.Y.

[73] Assignee: Les Prismatiques, Inc., New York, N.Y.

[**] Term: 14 Years

[21] Appl. No.: 700,717

[22] Filed: Feb. 11, 1985

[52] U.S. Cl. D26/87; D26/92

[58] Field of Search D26/72-92, D26/9-23; 362/432; 431/288, 289, 291, 292, 294, 295, 296, 297; 248/200, 309.1, 315

[56] References Cited

U.S. PATENT DOCUMENTS

- D. 64,524 4/1924 Wolter D26/92 X
- D. 65,920 11/1924 Monroe D26/87
- D. 261,179 10/1981 Alley, Sr. D26/9

OTHER PUBLICATIONS

Gift & Art Buyer, 4-1962, p. 84, L-Screw Candle Holder.

House & Garden, May-1953, p. 68, Wall Sconce #7. Mettamosu Casa Insieme (Supplement to Abitare) #3 Lamps, 1981, p. 3, No. 5, Wall Lamp, and p. 21, No. 2 Hanging Lamp-Reflector.

Primary Examiner—Susan J. Lucas
Attorney, Agent, or Firm—Natter & Natter

[57] CLAIM

The ornamental design for a wall lamp, as shown and described.

DESCRIPTION

FIG. 1 is a front elevation view of a wall lamp showing my new design;
 FIG. 2 is a top plan view of the wall lamp;
 FIG. 3 is a side elevation view of the wall lamp;
 FIG. 4 is a bottom view of the wall lamp;
 FIG. 5 is a sectional view through the wall lamp, the same being taken substantially along the plane 5—5 of FIG. 1 with the base omitted for clarity.
 The opposite side elevation view is identical to the view illustrated in FIG. 3, and the rear of the base is plain and unornamented.

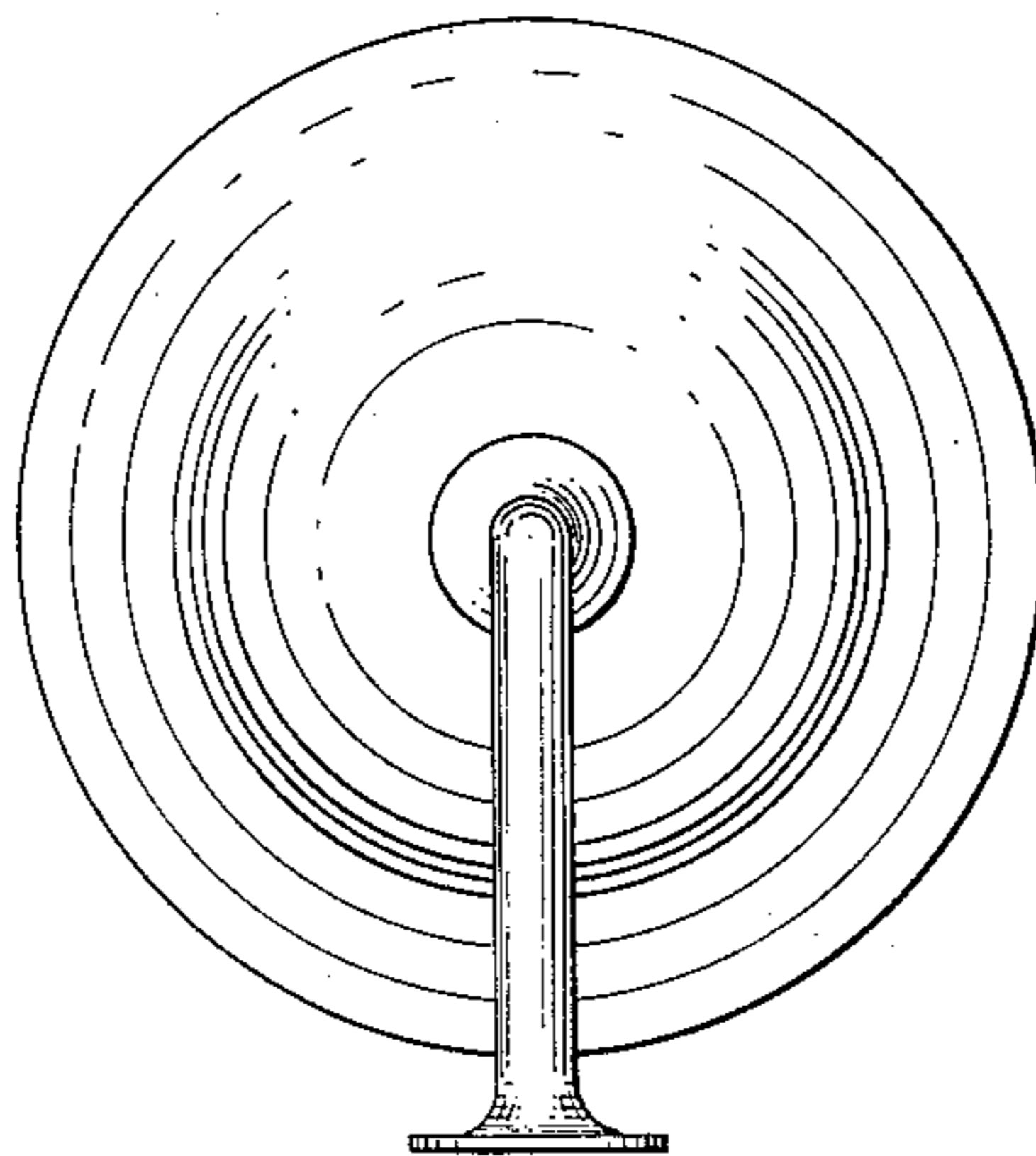
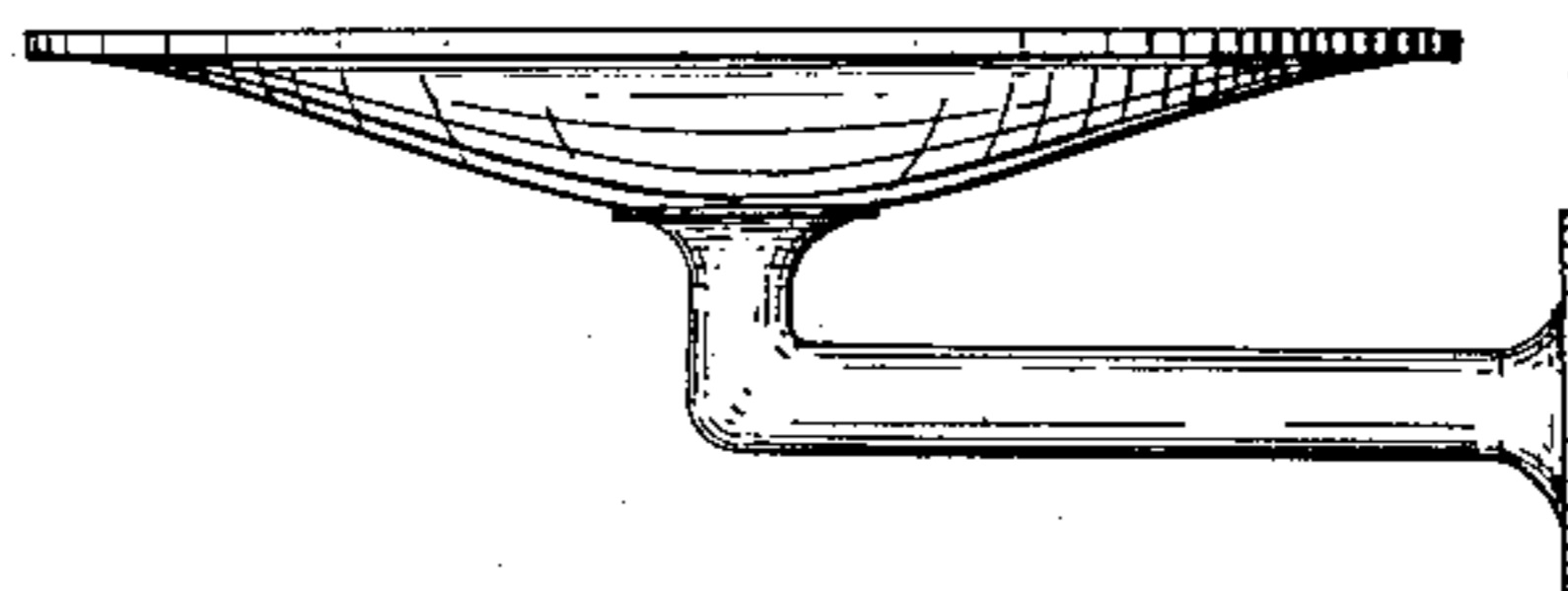


FIG. 1

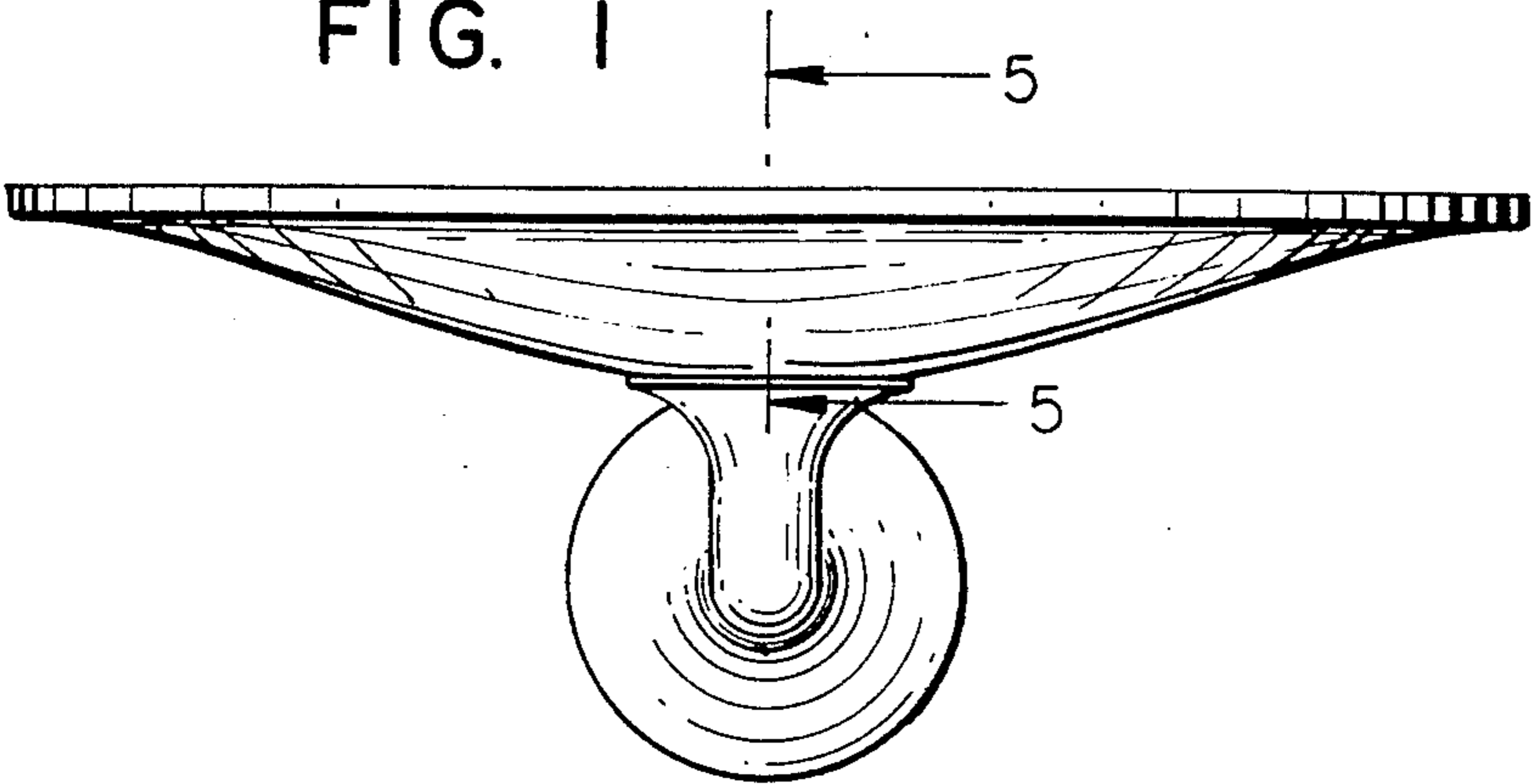


FIG. 2

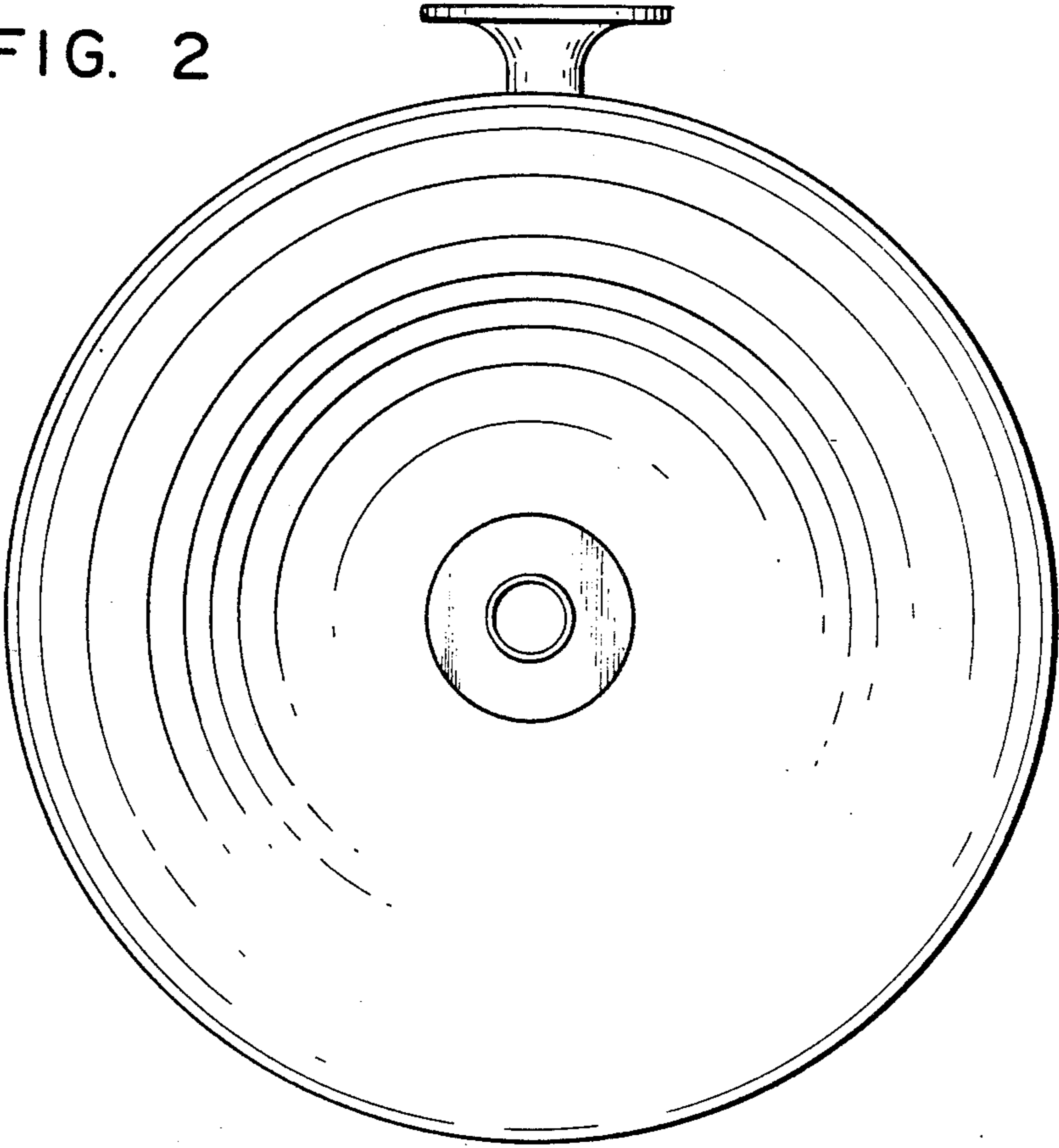


FIG. 3

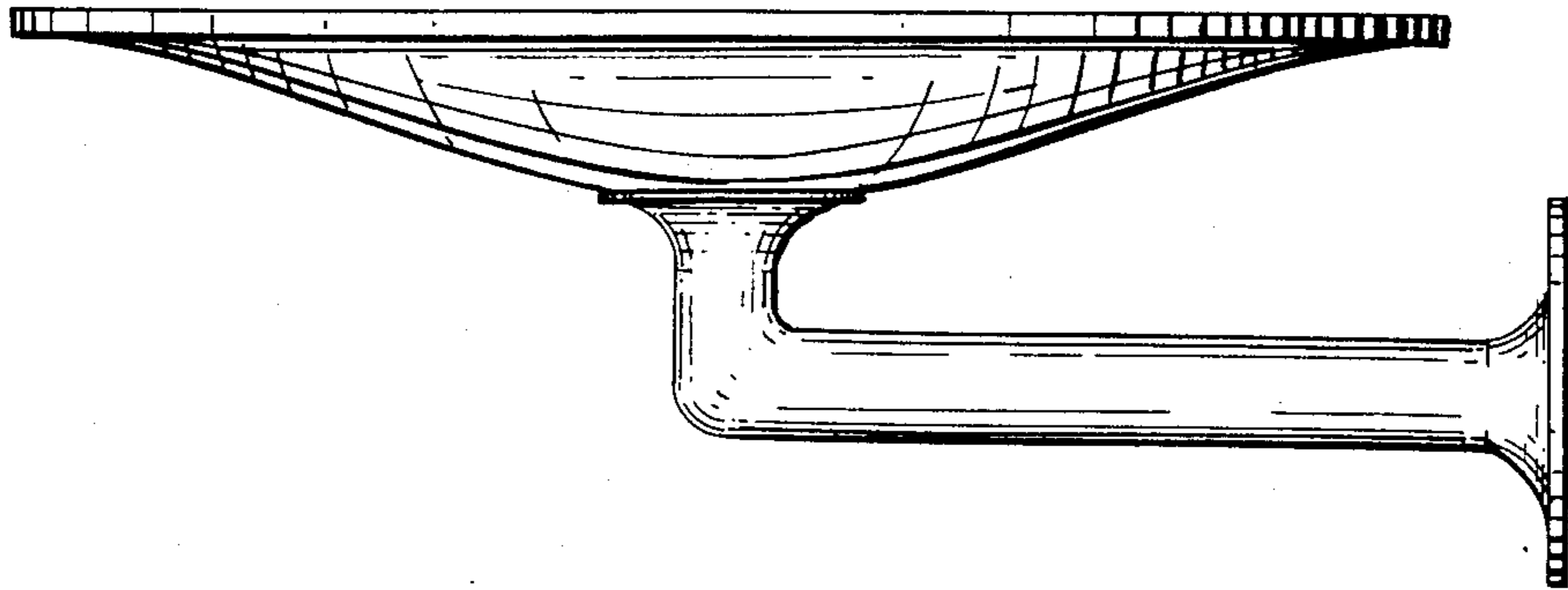


FIG. 4

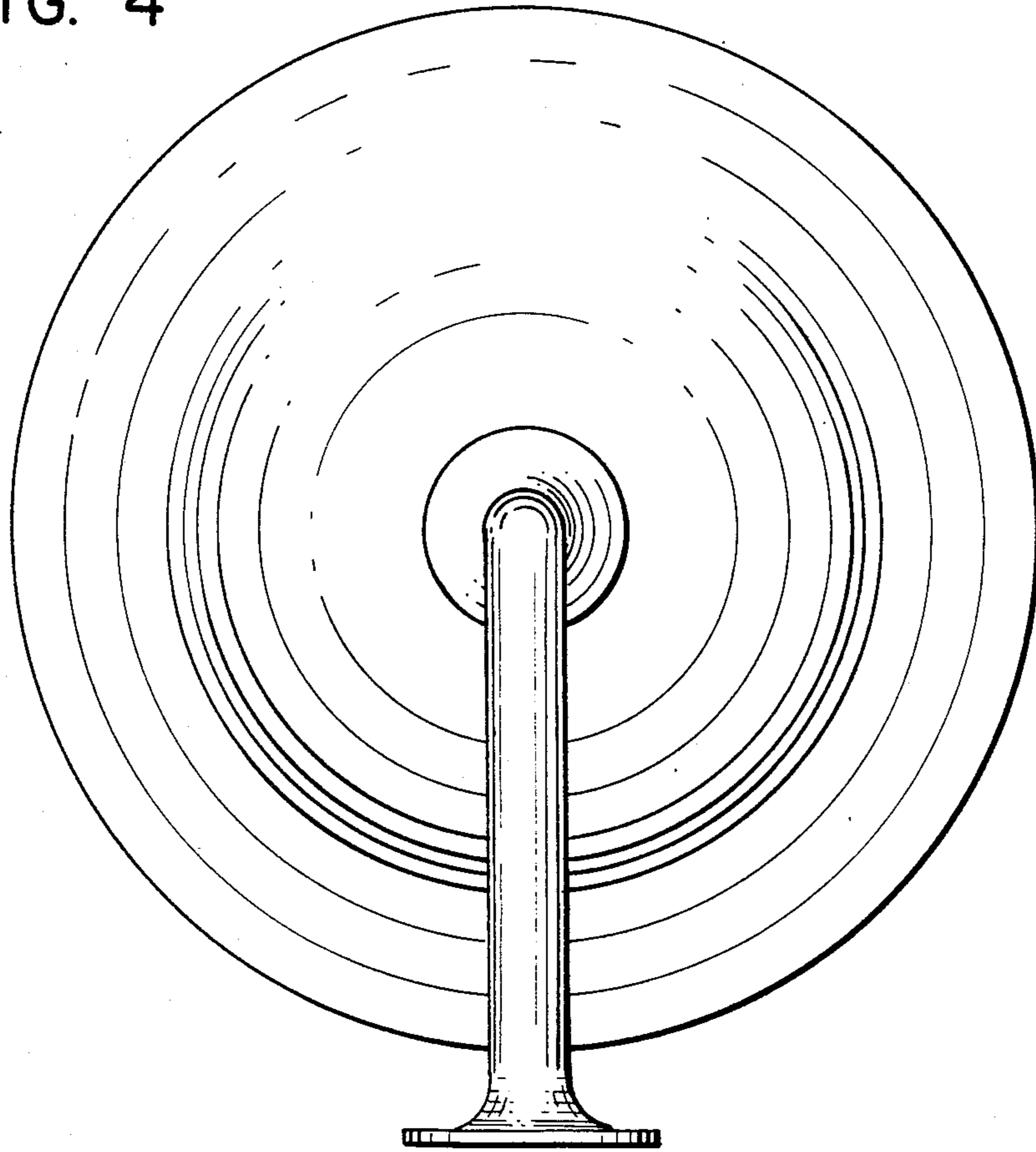


FIG. 5

