

[54] DENTAL CAPSULE

[75] Inventor: Edward A. Weissenburger,
Mercerville, N.J.

[73] Assignee: Johnson & Johnson Dental Products
Company, East Windsor, N.J.

[**] Term: 14 Years

[21] Appl. No.: 723,606

[22] Filed: Apr. 15, 1985

[52] U.S. Cl. D24/56; D24/10

[58] Field of Search D24/56, 10, 23, 99;
206/219, 220, 222, 63.5, 568; D28/1

[56] References Cited

U.S. PATENT DOCUMENTS

D. 255,836 7/1980 Weissenburger D24/56

3,139,180	6/1964	Kobernick	206/220
3,917,062	11/1975	Winters	206/219
4,450,958	5/1984	Prasad	206/219 X
4,552,266	11/1985	Weissenburger	206/220

Primary Examiner—A. Hugo Word
Assistant Examiner—Stella M. Reid
Attorney, Agent, or Firm—Wayne R. Eberhardt

[57] CLAIM

The ornamental design for a dental capsule, as shown.

DESCRIPTION

FIG. 1 is a side perspective view of a dental capsule showing my new design;
FIG. 2 is a front elevational view thereof; all other side elevational views being substantially the same.
FIG. 3 is a top plan view thereof;
FIG. 4 is a bottom plan view thereof; and
FIG. 5 is an exploded perspective view thereof.

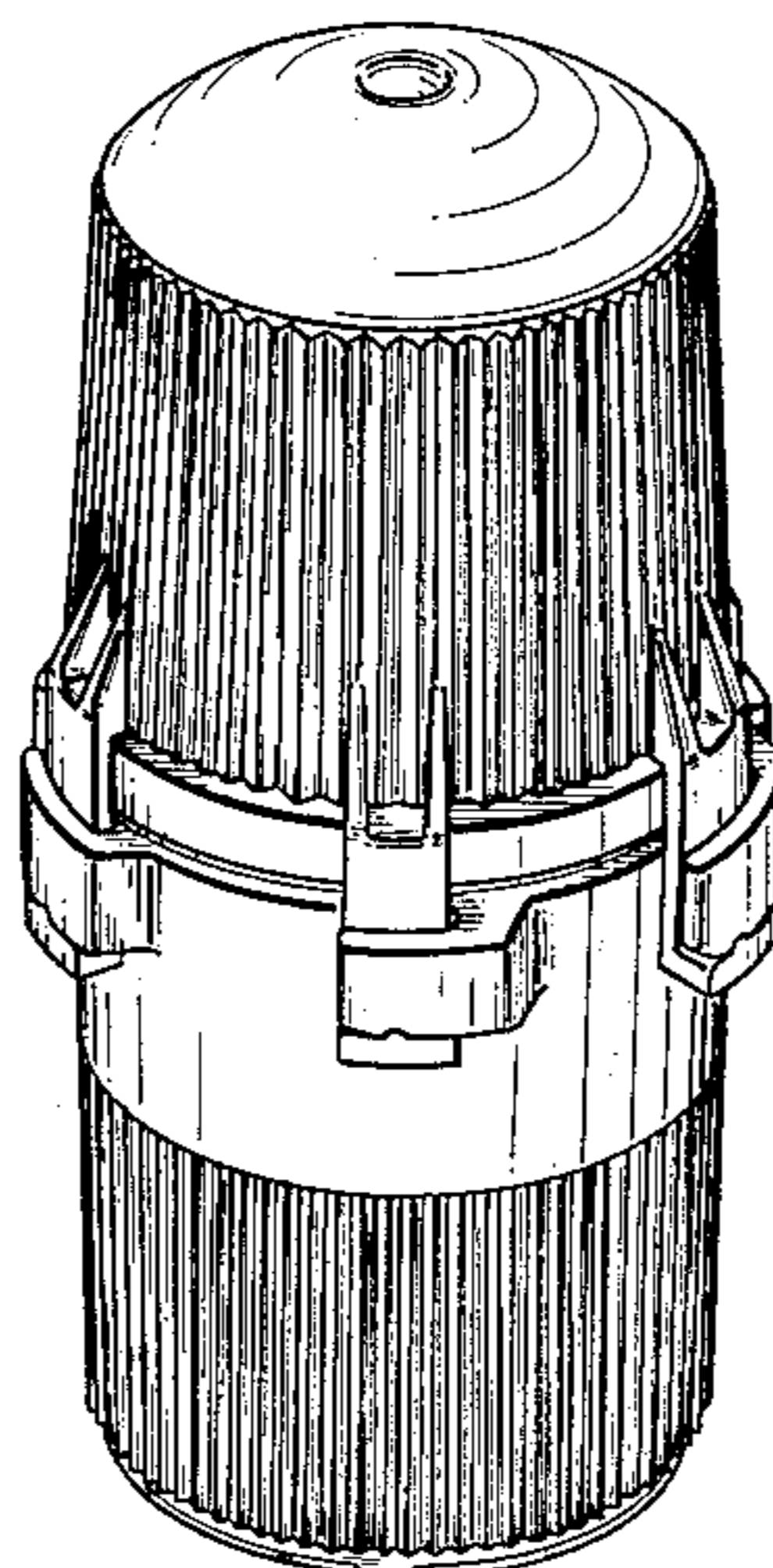


FIG-1

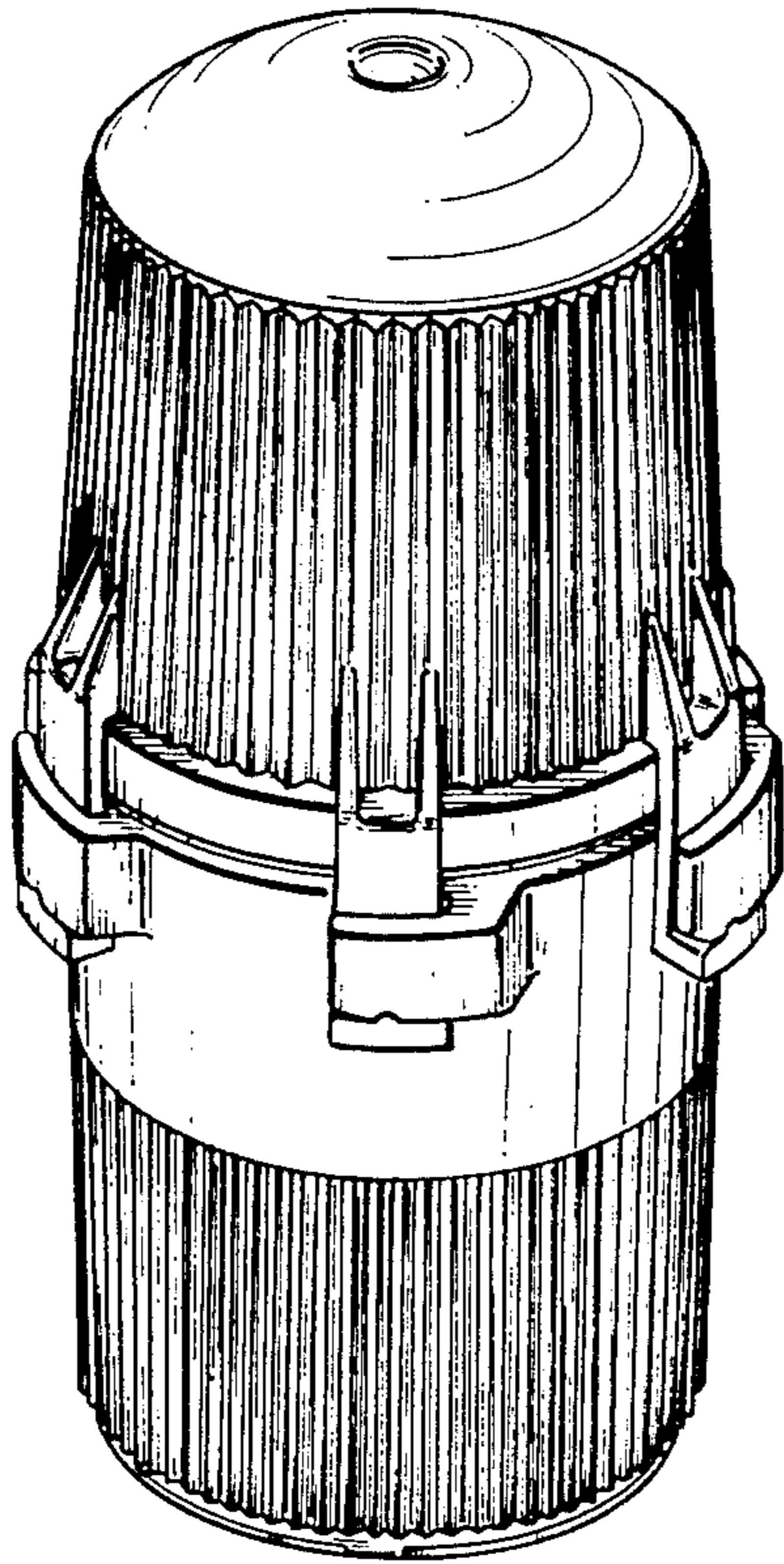


FIG-2

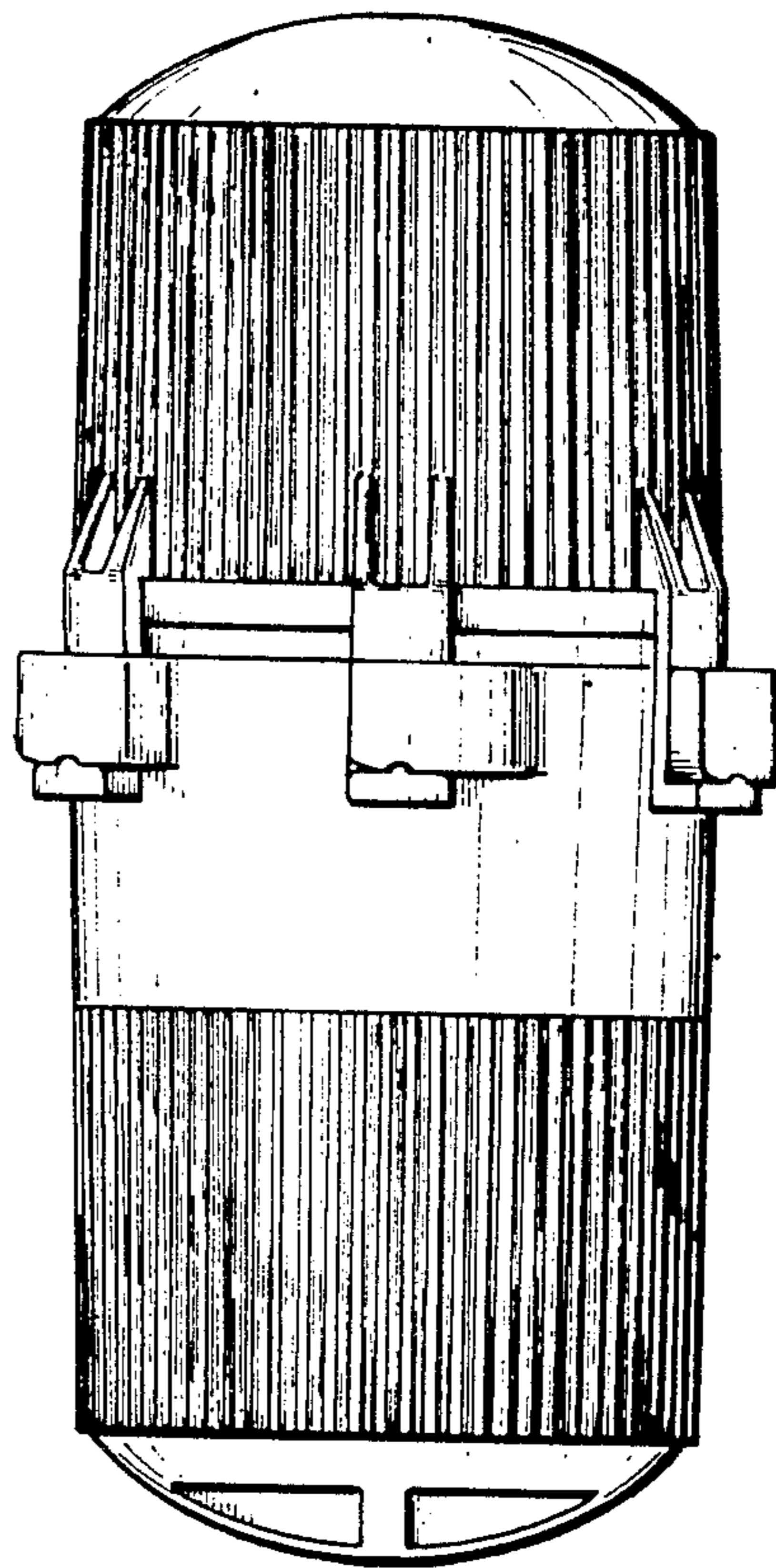


FIG-3

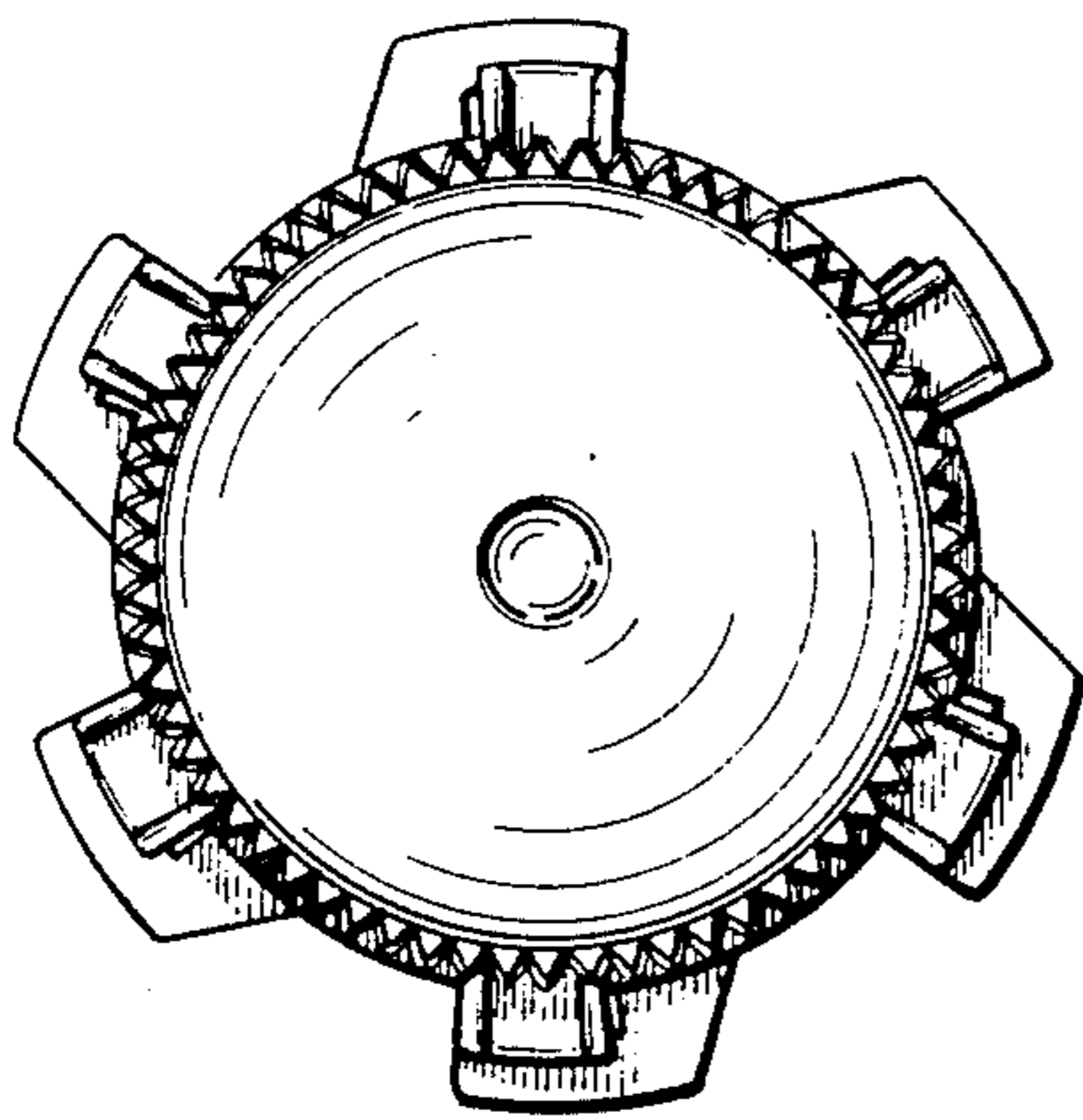


FIG-4

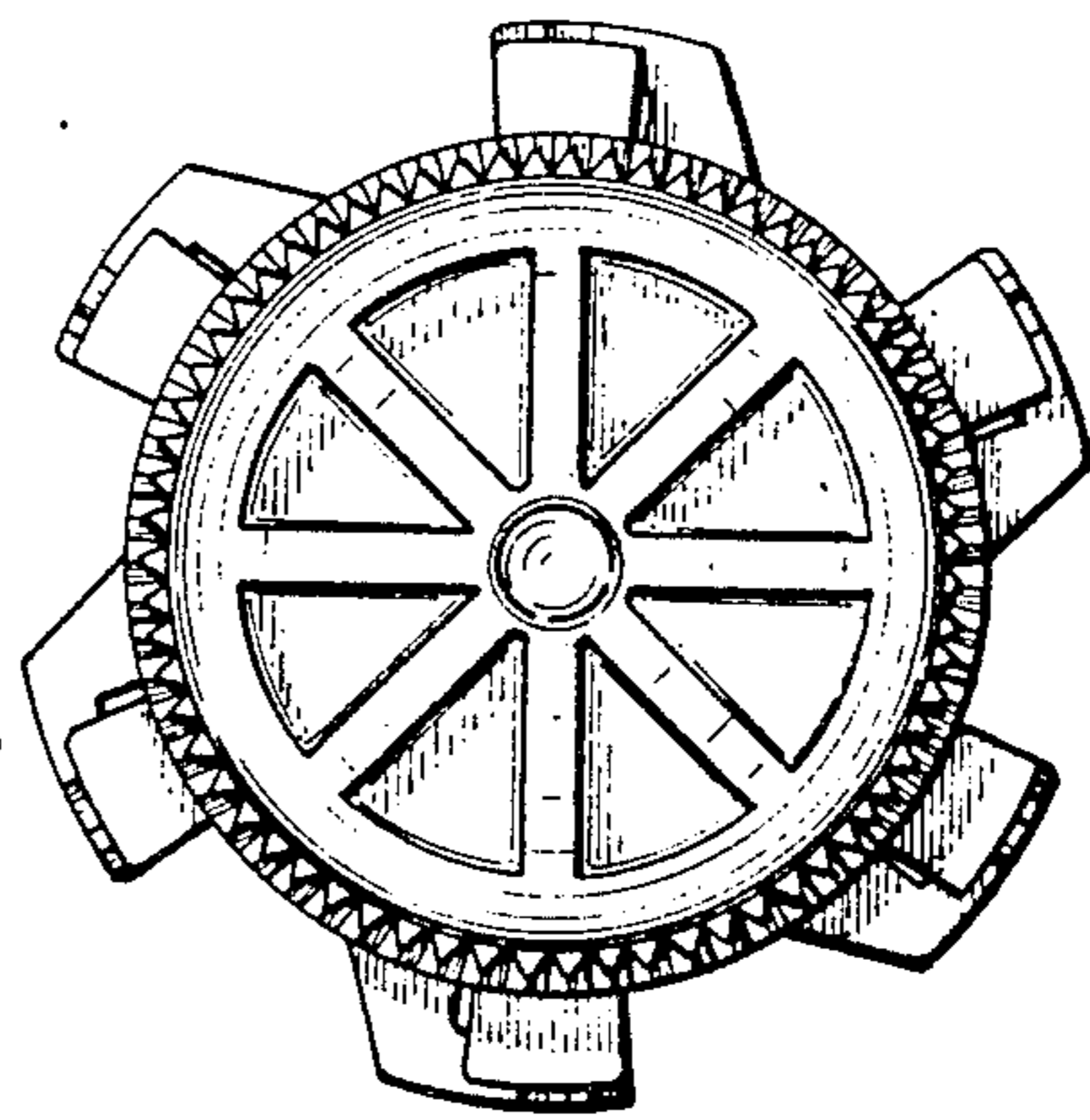


FIG-5

