

[54] STAND FOR MOUNTING OPTHALMOLOGIC INSTRUMENTS

[75] Inventor: Toshio Nakayama, Kawaguchi, Japan

[73] Assignee: Tokyo Kogaku Kikai Kabushiki Kaisha, Tokyo, Japan

[**] Term: 14 Years

[21] Appl. No.: 728,268

[22] Filed: Apr. 29, 1985

[30] Foreign Application Priority Data

Nov. 2, 1984 [JP] Japan 59-45378

[52] U.S. Cl. D24/1.1

[58] Field of Search D24/1.1, 17; 351/245, 351/205; 248/121, 124, 122

[56] References Cited

U.S. PATENT DOCUMENTS

- D. 198,232 5/1964 Maier D24/1.1
- D. 235,274 6/1975 Armbruster D24/1.1
- D. 246,186 10/1977 Rorabaugh D24/1.1
- 4,600,175 7/1986 Bellet 248/122
- 4,643,547 2/1987 Collins et al. 351/245

OTHER PUBLICATIONS

Multi Unit-2, INOPSA Instrumentos de Optica, S.A. Topcon Wide Range of Stand and Chair Unit.

Primary Examiner—A. Hugo Word
Assistant Examiner—Stella M. Reid
Attorney, Agent, or Firm—Brumbaugh, Graves, Donohue & Raymond

[57] CLAIM

The ornamental design for a stand for mounting ophthalmologic instruments, substantially as shown.

DESCRIPTION

FIG. 1 is a perspective view of a stand for mounting ophthalmologic instruments embodying my new design;

FIG. 2 is a front elevational view thereof;

FIG. 3 is a rear elevational view thereof;

FIG. 4 is a left side view thereof;

FIG. 5 is a right side view thereof;

FIG. 6 is a top plan view thereof;

FIG. 7 is a bottom plan view thereof; and

FIG. 8 is a front elevational view of the stand shown in FIG. 1 a table of which is retracted.

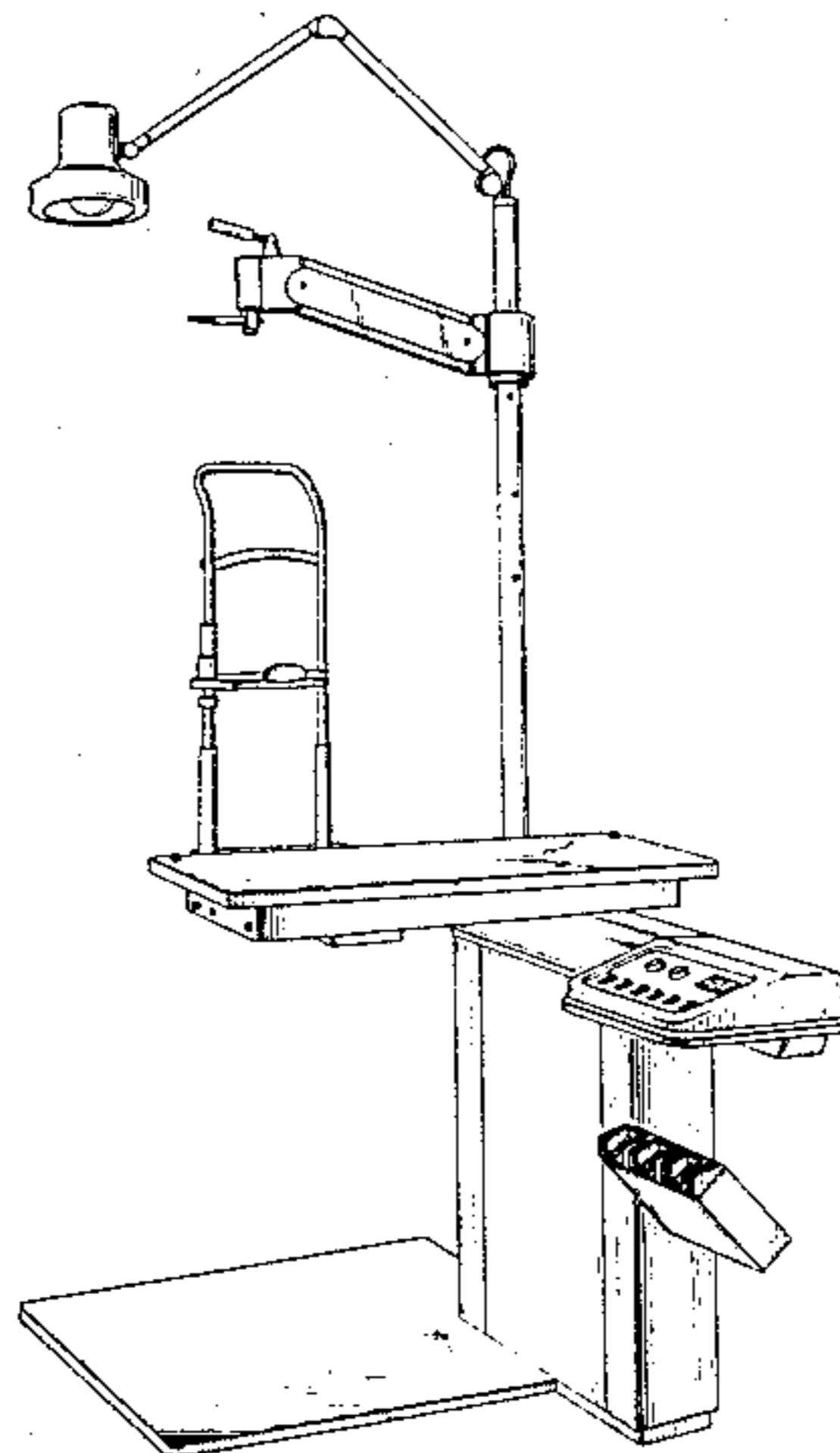


FIG. 1

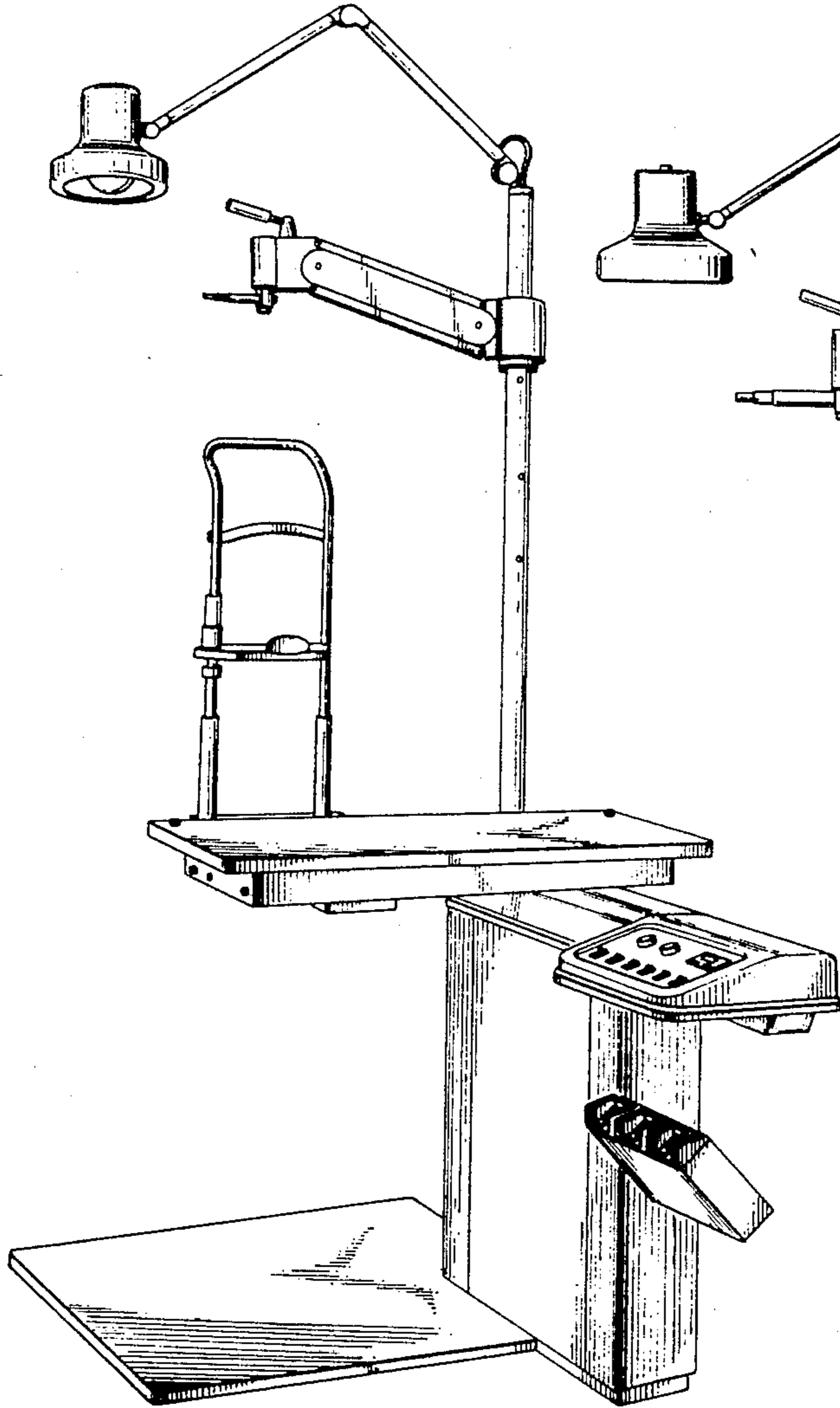


FIG. 8

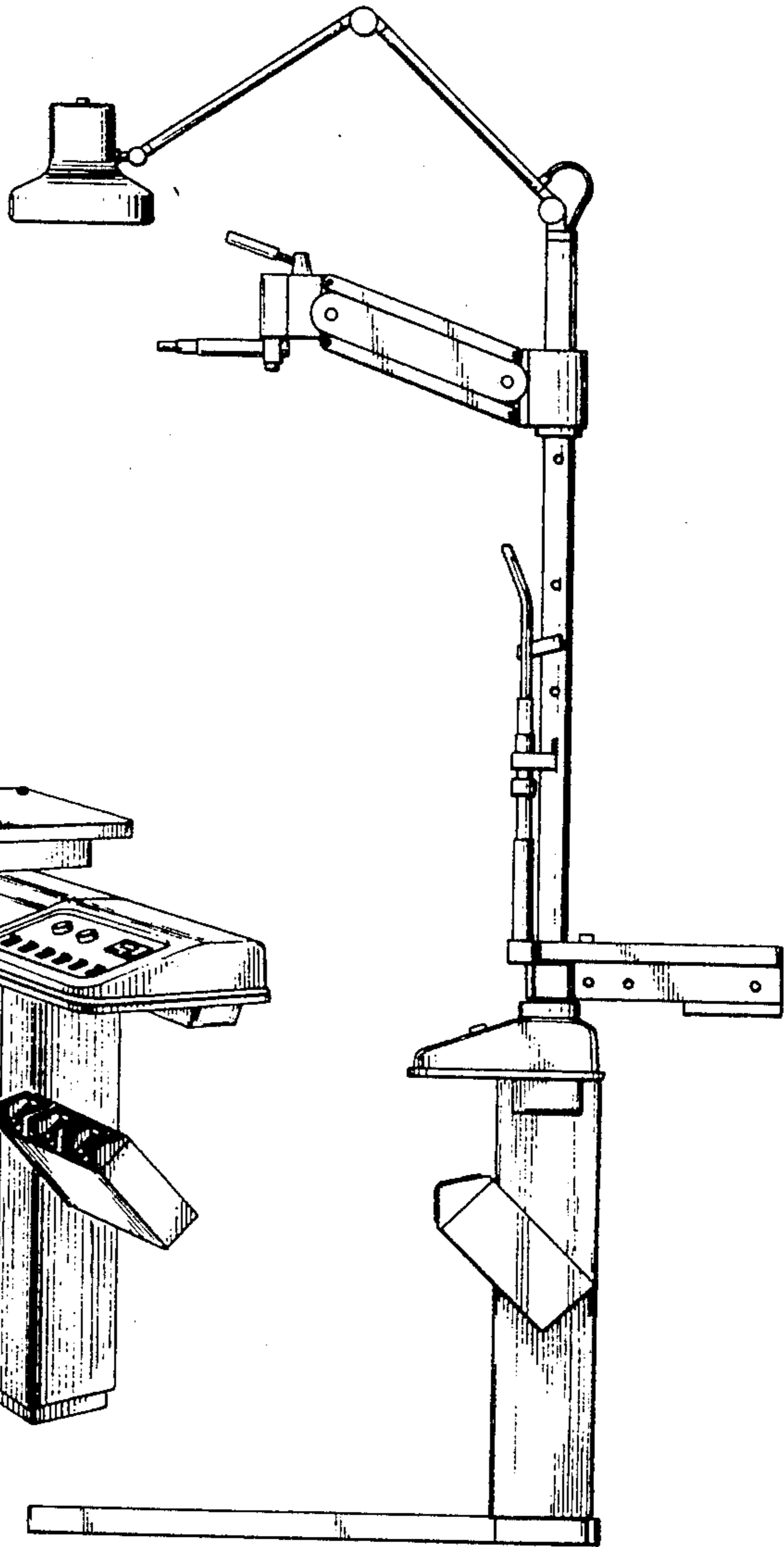


FIG. 2

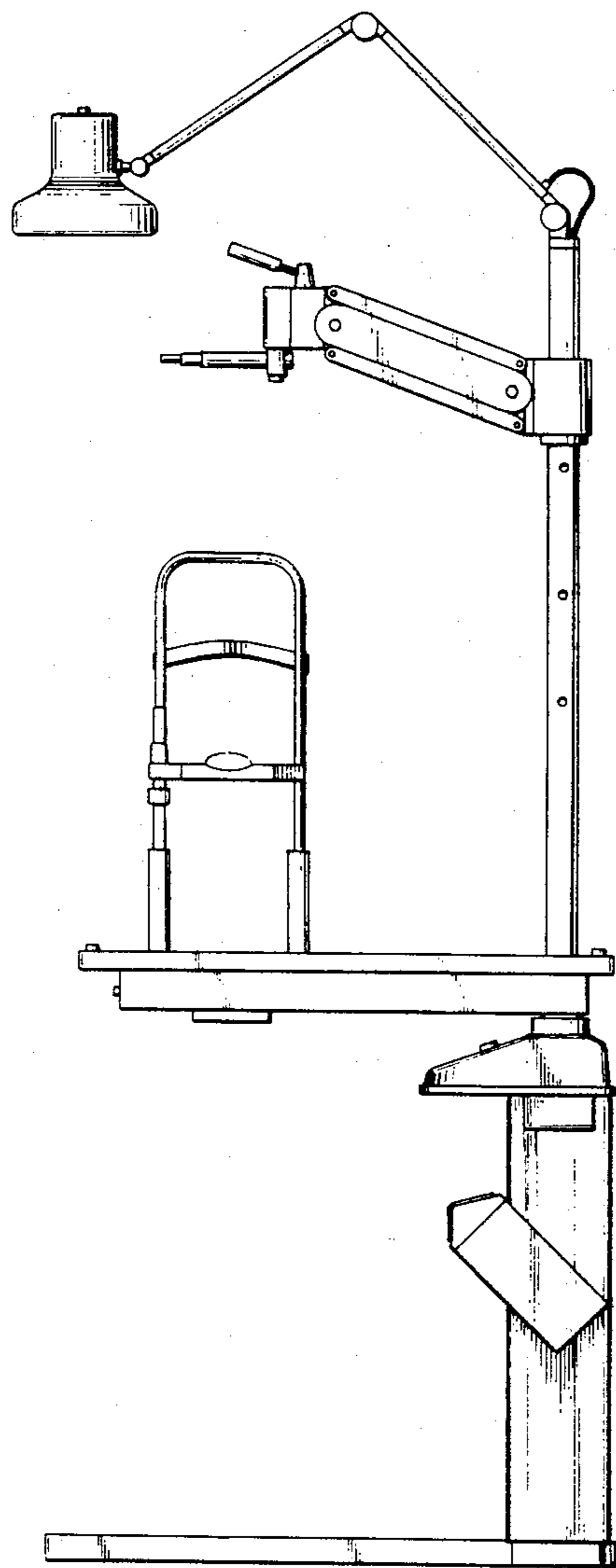


FIG. 3

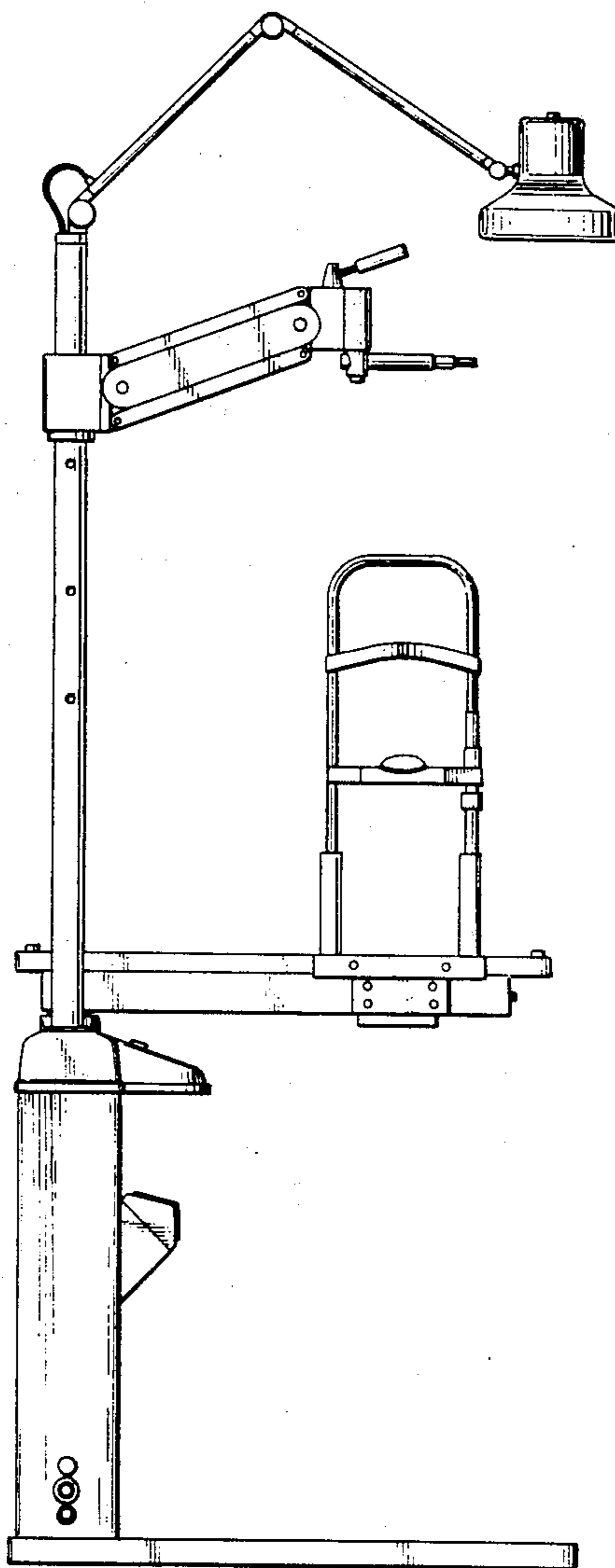


FIG. 4

FIG. 6

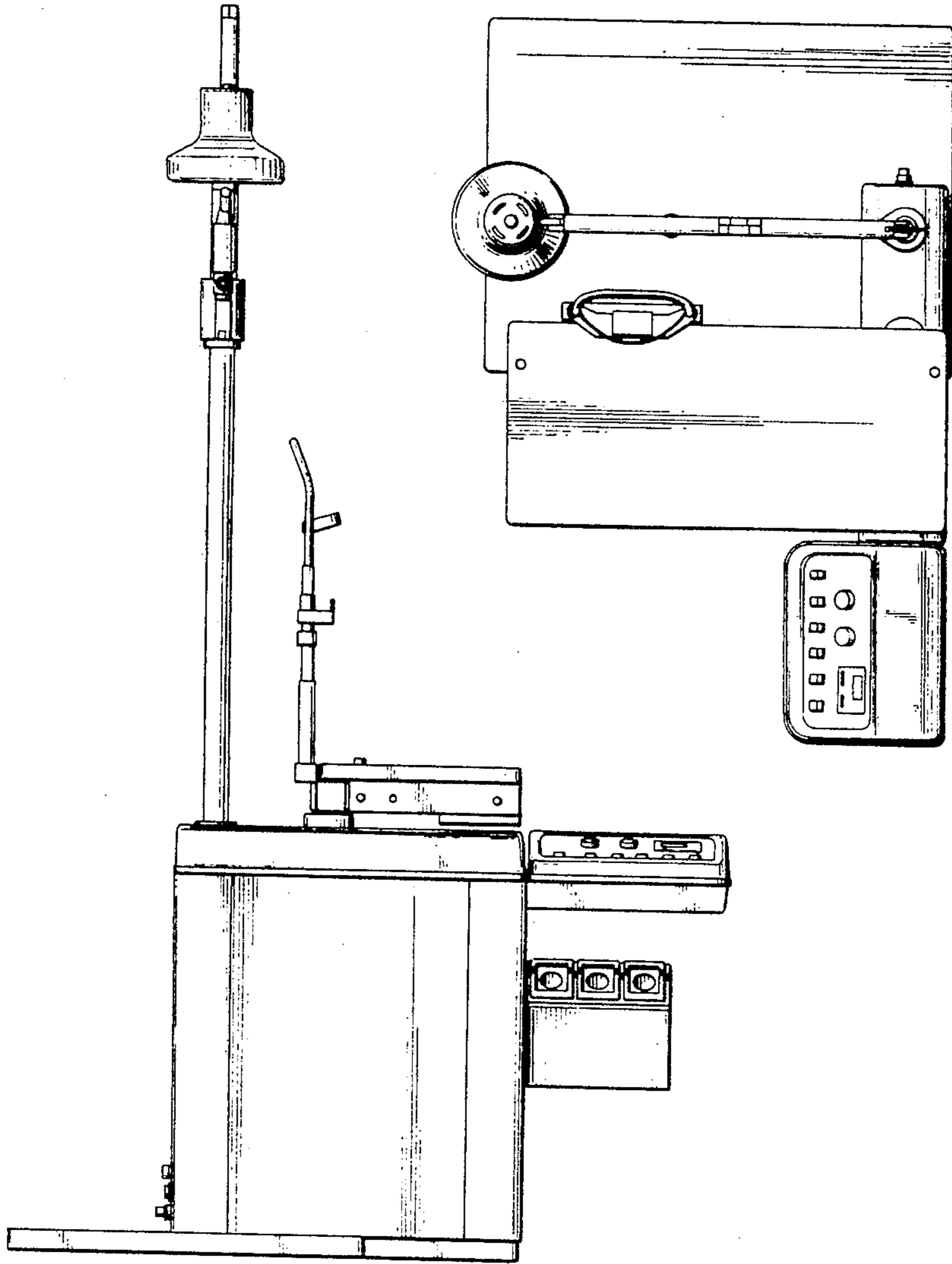


FIG. 7

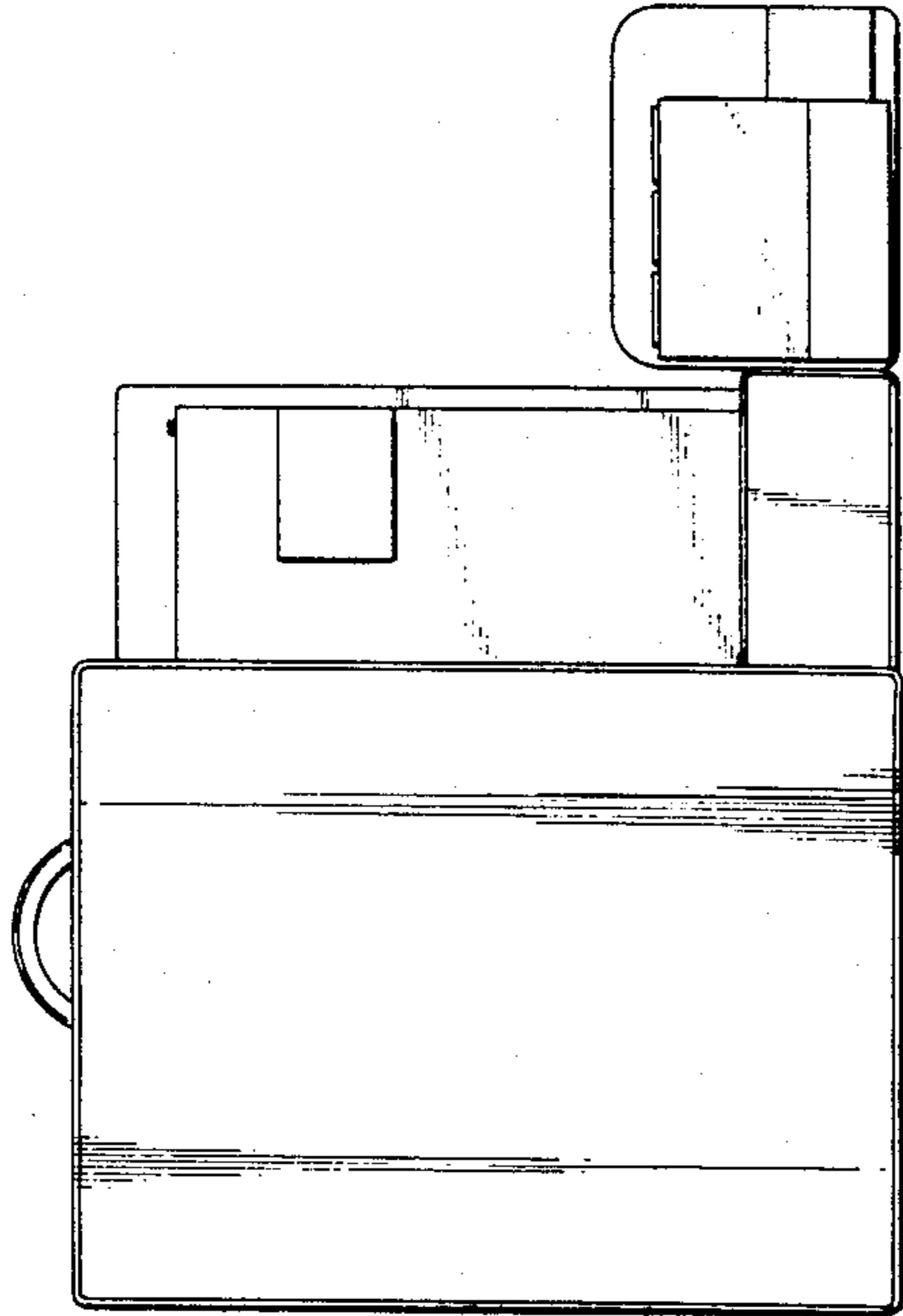


FIG. 5

