

[54] BOWSIGHT

[76] Inventor: Richard M. Raab, 5221 W. Lake Shore Dr., Wonder Lake, Ill. 60097

[**] Term: 14 Years

[21] Appl. No.: 653,296

[22] Filed: Sep. 24, 1984

[52] U.S. Cl. D22/107

[58] Field of Search D22/107; 124/87, 88, 124/89; 33/265

[56] References Cited

U.S. PATENT DOCUMENTS

D. 242,540	11/1976	Jacobs	D22/107
D. 260,417	8/1981	Siekman	D22/107
4,136,462	1/1979	Topel	33/265
4,535,747	8/1985	Kudlacek	124/87

OTHER PUBLICATIONS

Bow & Arrow, May 1985, Fine-Line, Inc. ad.
Bow & Arrow, Aug. 1986, p. 4, Browning ad.

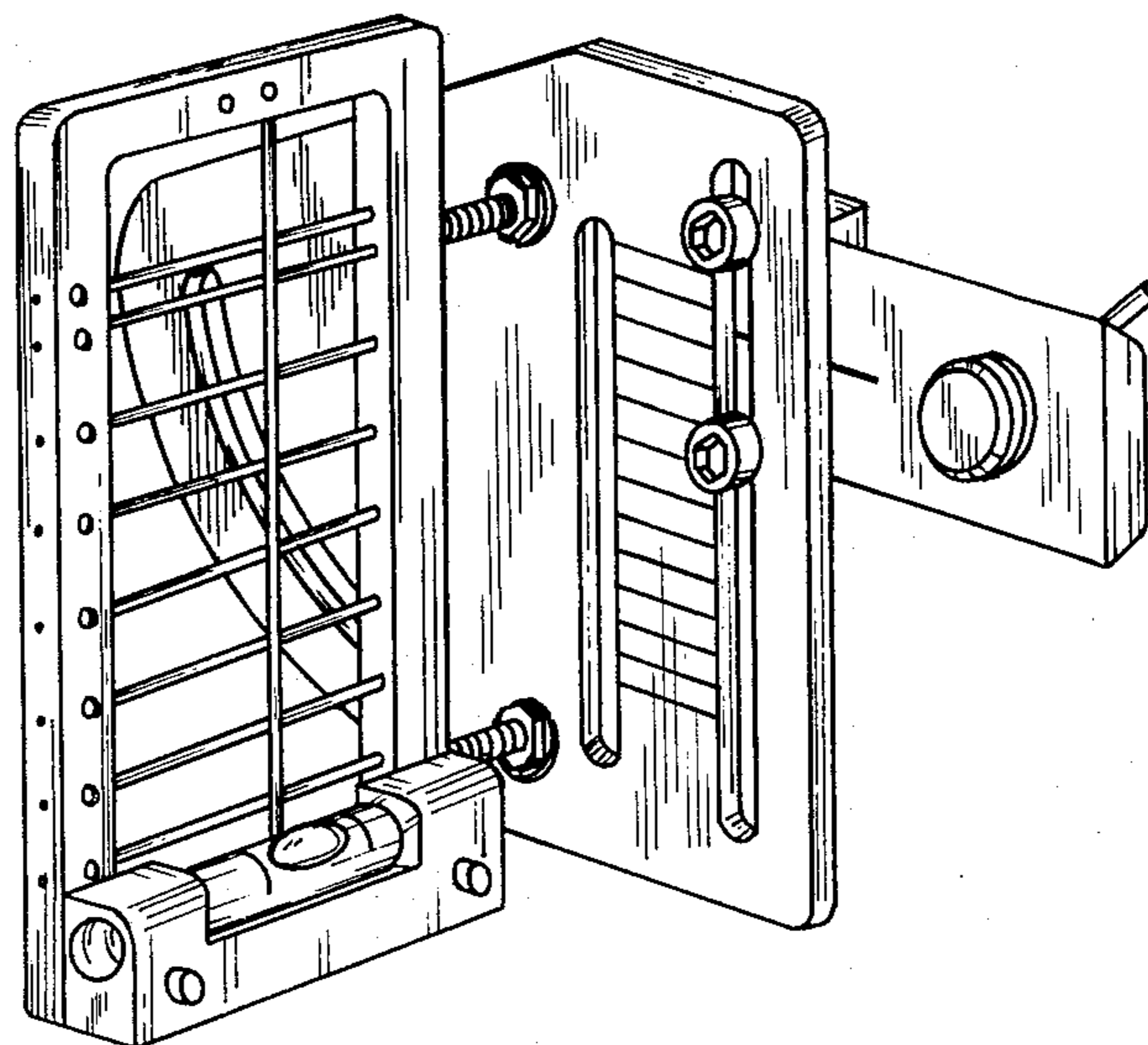
Primary Examiner—James M. Gandy
Assistant Examiner—Kay H. Chin
Attorney, Agent, or Firm—Terry R. Mohr; Mathew R. P. Perrone, Jr.

[57] CLAIM

The ornamental design for a bowsight, as shown.

DESCRIPTION

FIG. I is a perspective view of a bowsight showing my new design.
FIG. II is a left side elevation view thereof.
FIG. III is a front elevation view thereof.
FIG. IV is a right side elevation view thereof.



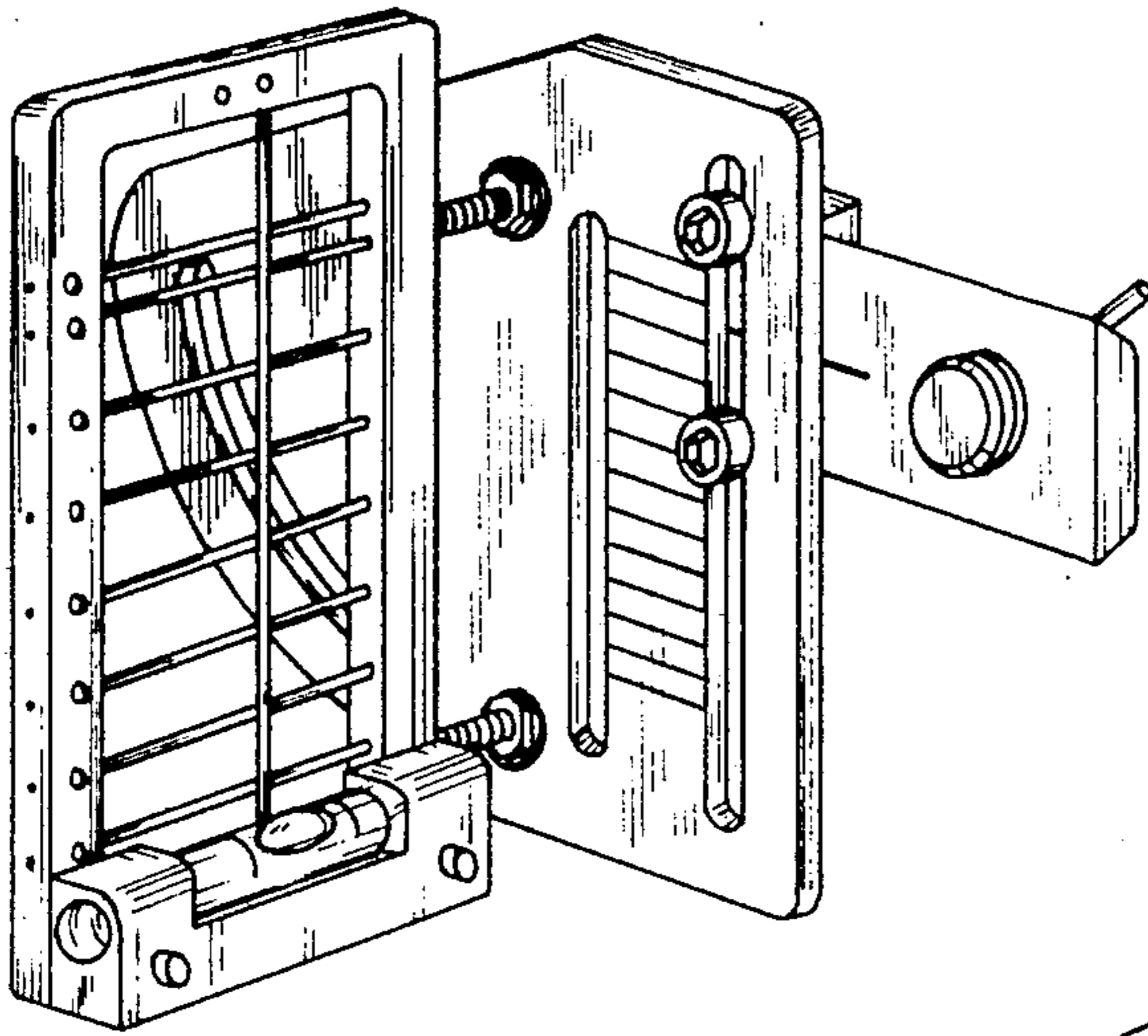


Fig. I

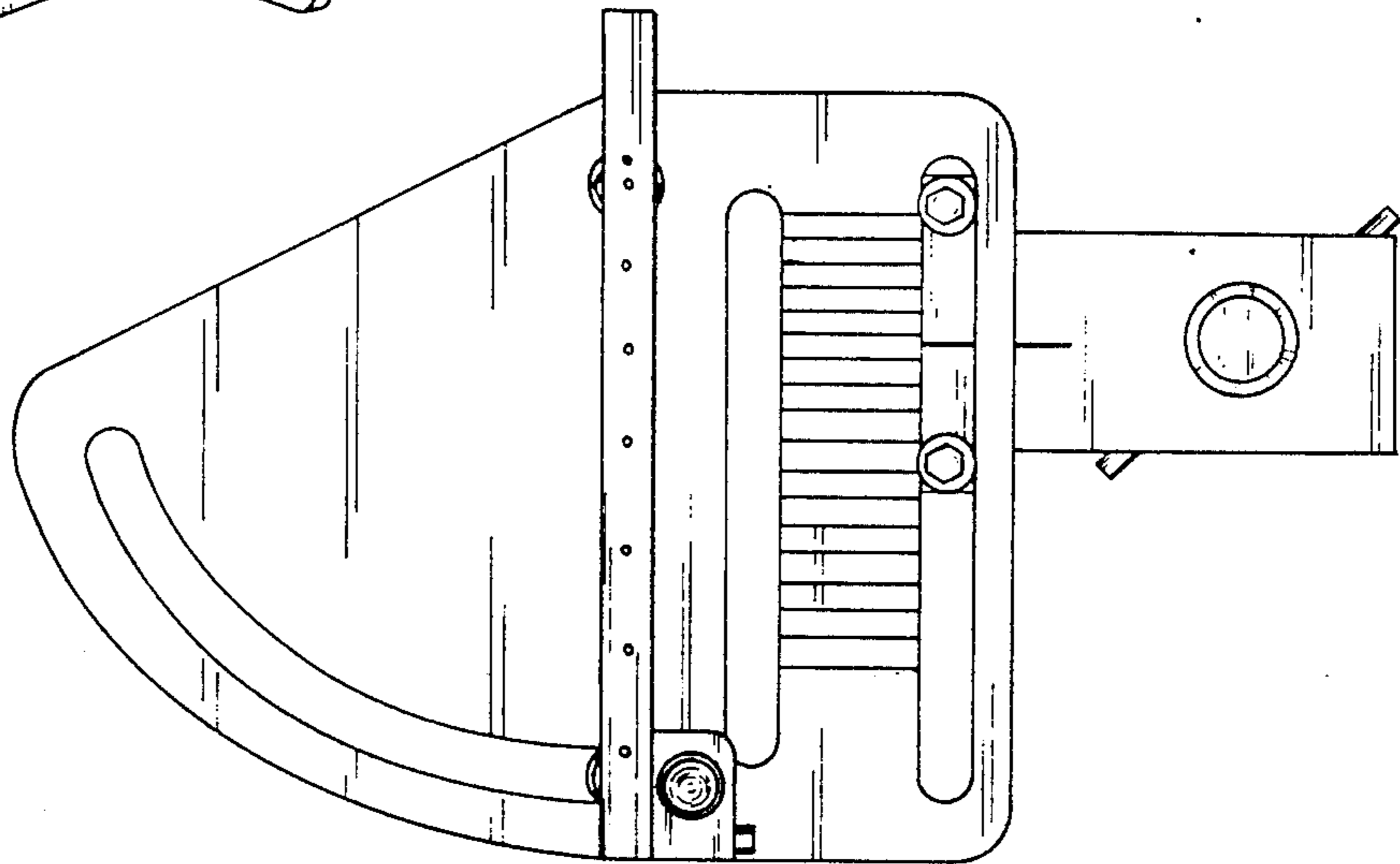


Fig. II

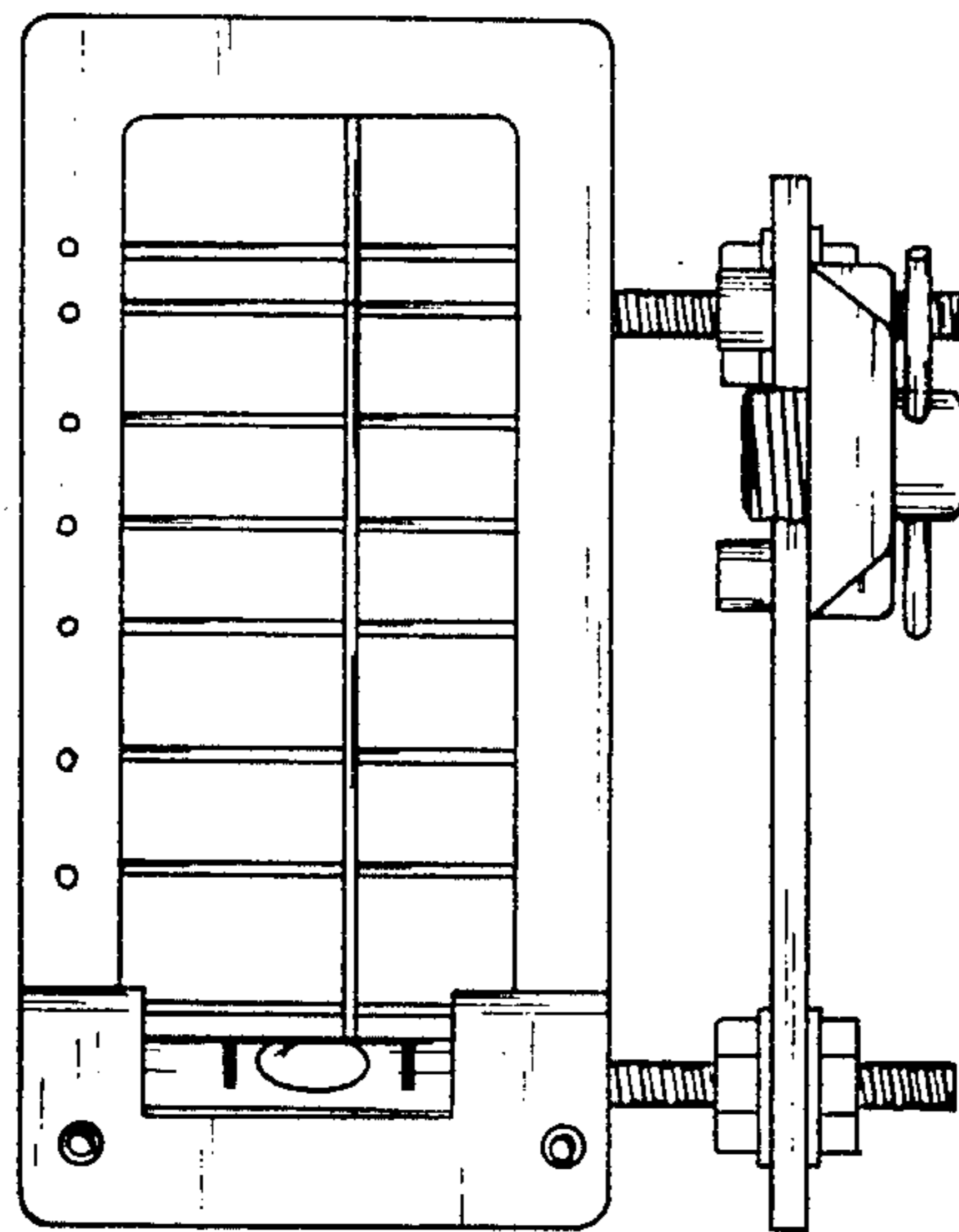


Fig. III

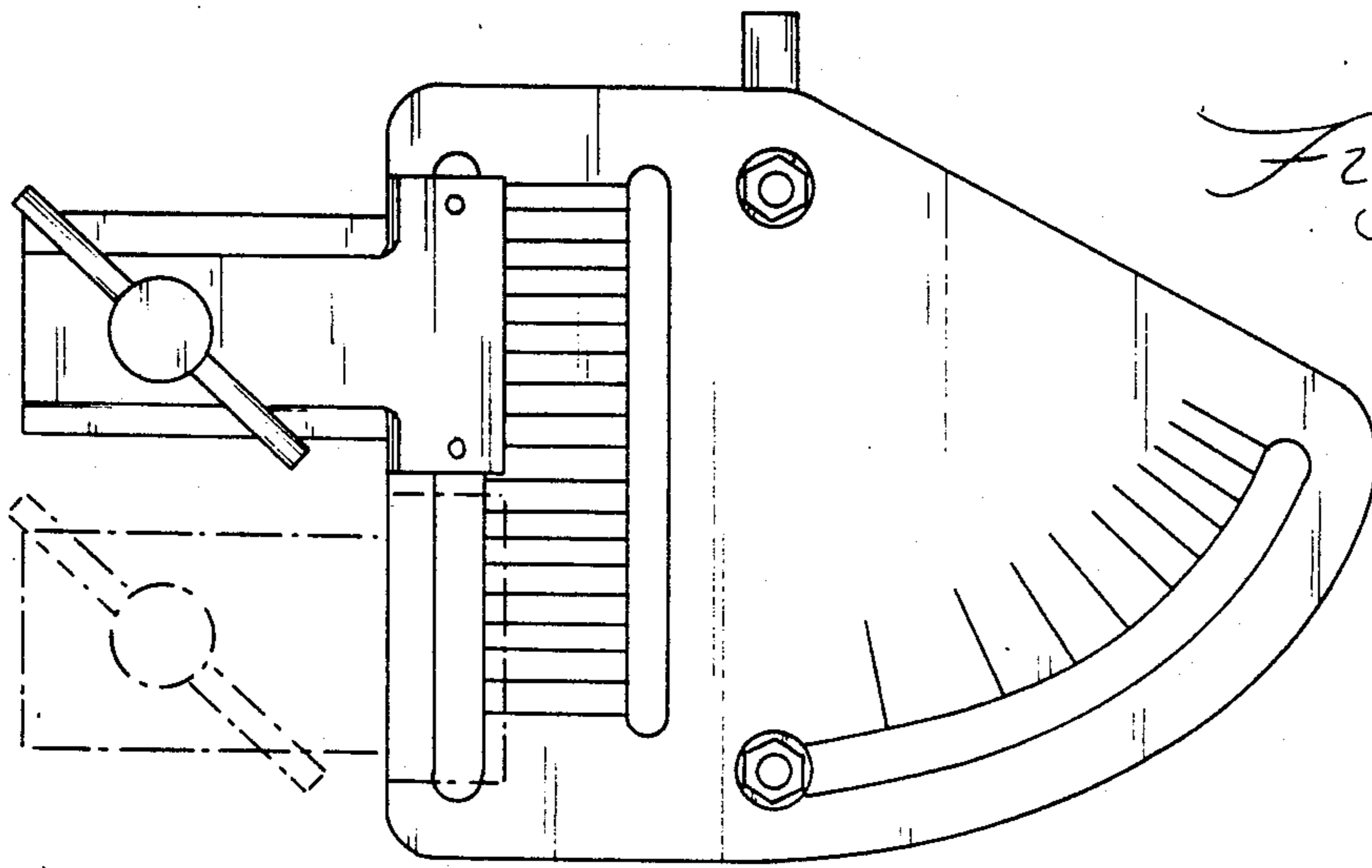


Fig. IV