

[54] **TOY VEHICLE**

[75] **Inventors: Robert K. Allen; Howard N. Bollinger; David A. Myers, all of Cincinnati, Ohio; Eric J. Simpson, Newport; W. Grey Williams, Covington, both of Ky.**

[73] **Assignee: Kenner Parker Toys Inc., Beverly, Mass.**

[**] **Term: 14 Years**

[21] **Appl. No.: 701,591**

[22] **Filed: Feb. 14, 1985**

[52] **U.S. Cl. D21/77**

[58] **Field of Search D21/71, 73, 76, 78, D21/77, 79, 80, 128, 131, 132, 134, 135, 136, 137, 140, 141; 280/1.11 R, 1.12, 1.193, 87.01, 87.02; 446/36, 237**

[56] **References Cited**

U.S. PATENT DOCUMENTS

- D. 139,432 11/1944 Stout D21/90
- D. 245,077 7/1977 Newell D12/110
- D. 258,426 3/1981 Dunan D12/110
- D. 287,738 1/1987 Bollinger et al. D21/90

Primary Examiner—Charles A. Rademaker
Attorney, Agent, or Firm—L. MeRoy Lillehaugen; Gene O. Enockson

[57] **CLAIM**

The ornamental design for a toy vehicle, substantially as shown and described.

DESCRIPTION

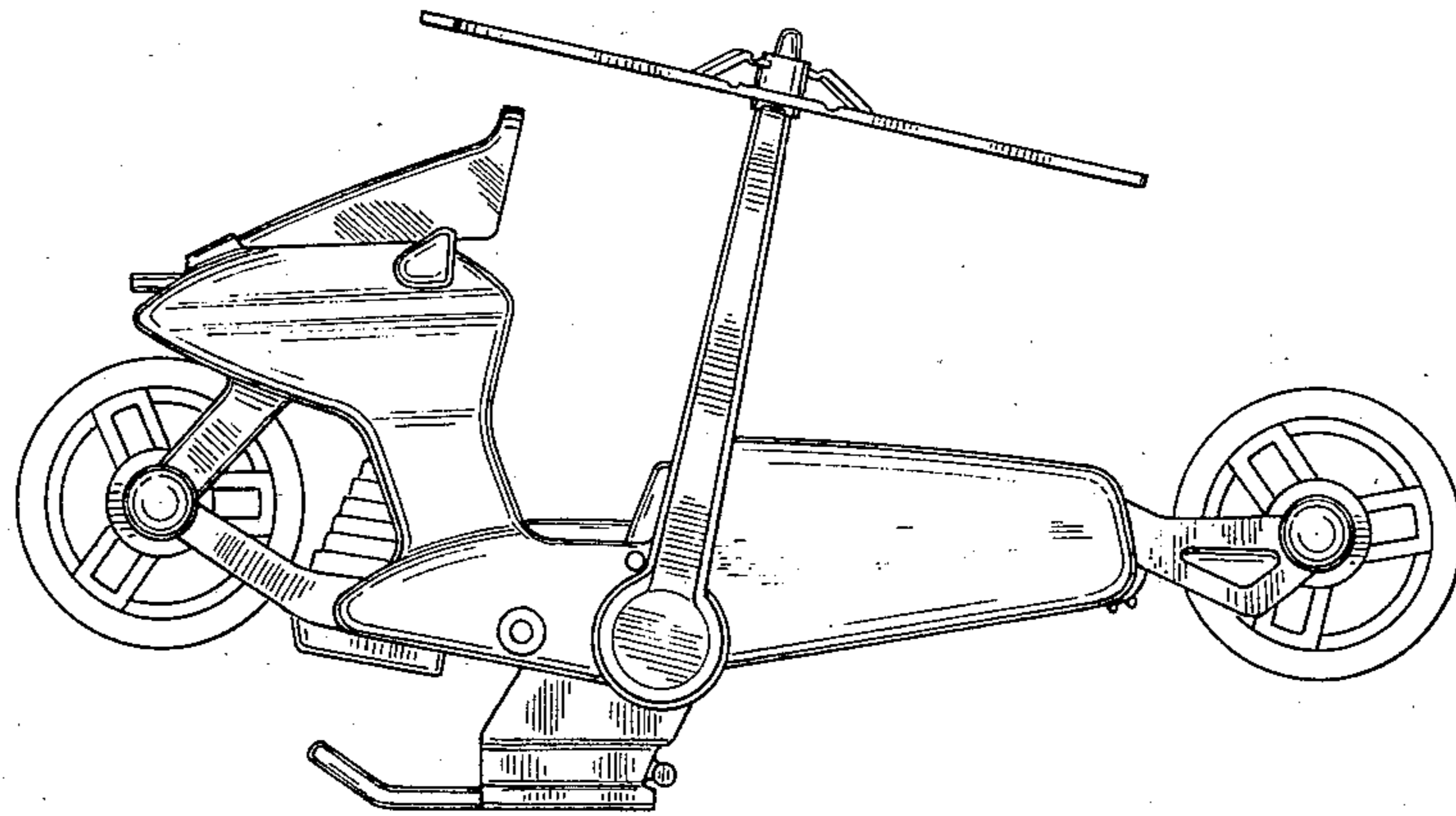
FIG. 1 is a side elevational view of a toy vehicle showing our new design, the side opposite being substantially a mirror image thereof;

FIG. 2 is a top plan view thereof;

FIG. 3 is a bottom plan view thereof;

FIG. 4 is a front elevational view thereof; and

FIG. 5 is a rear elevational view thereof.



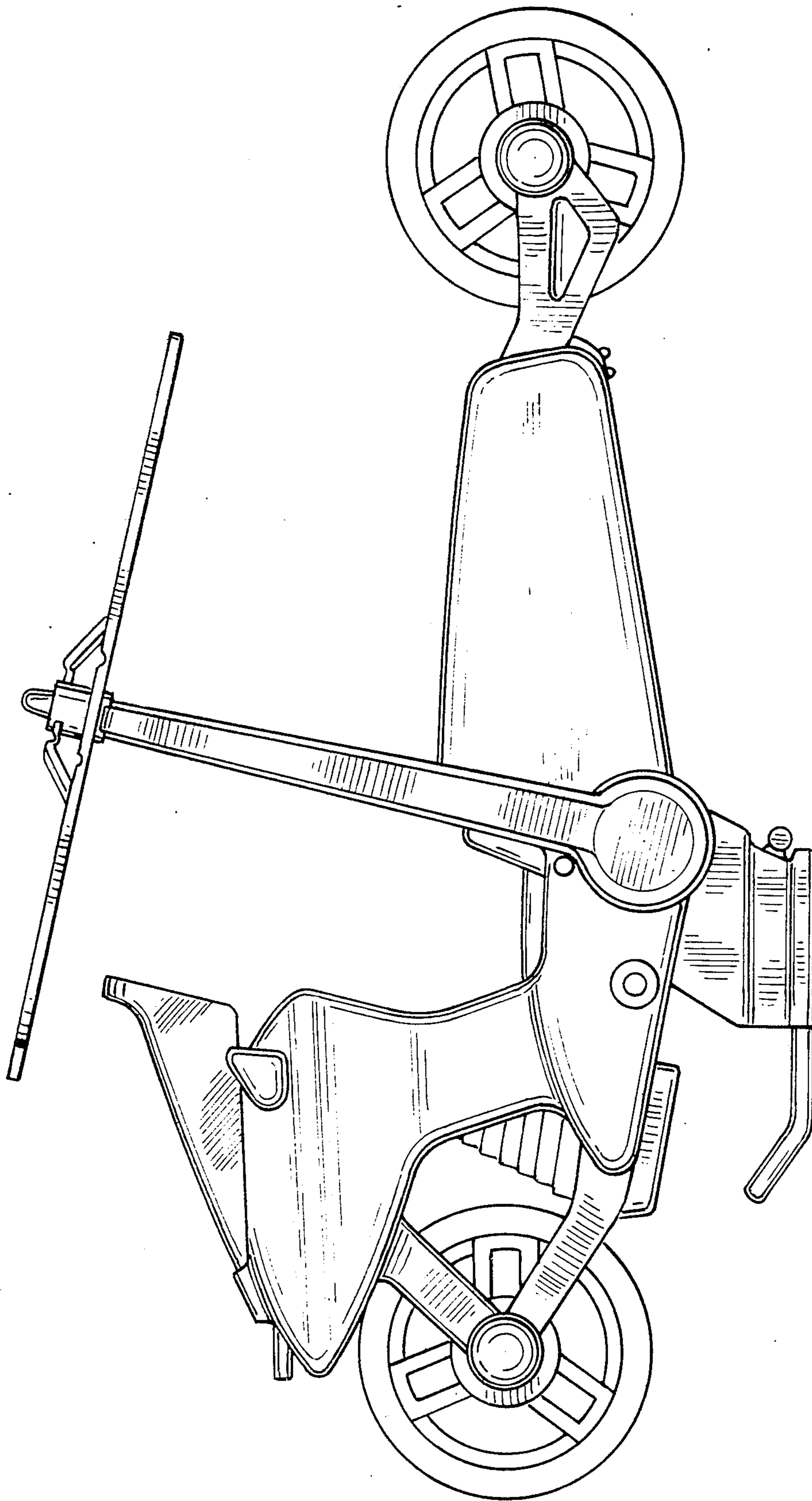


FIG. 1

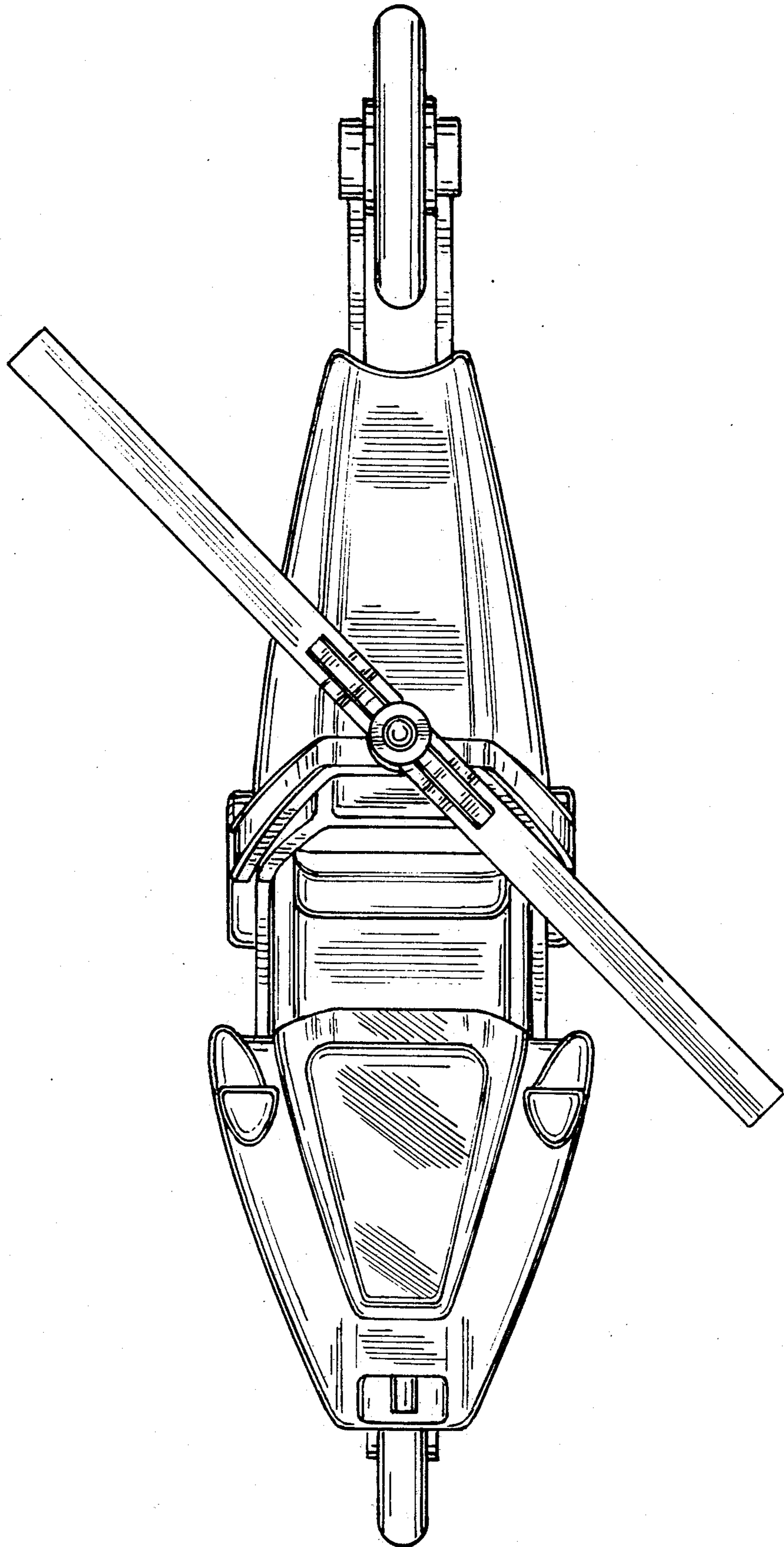


FIG. 2

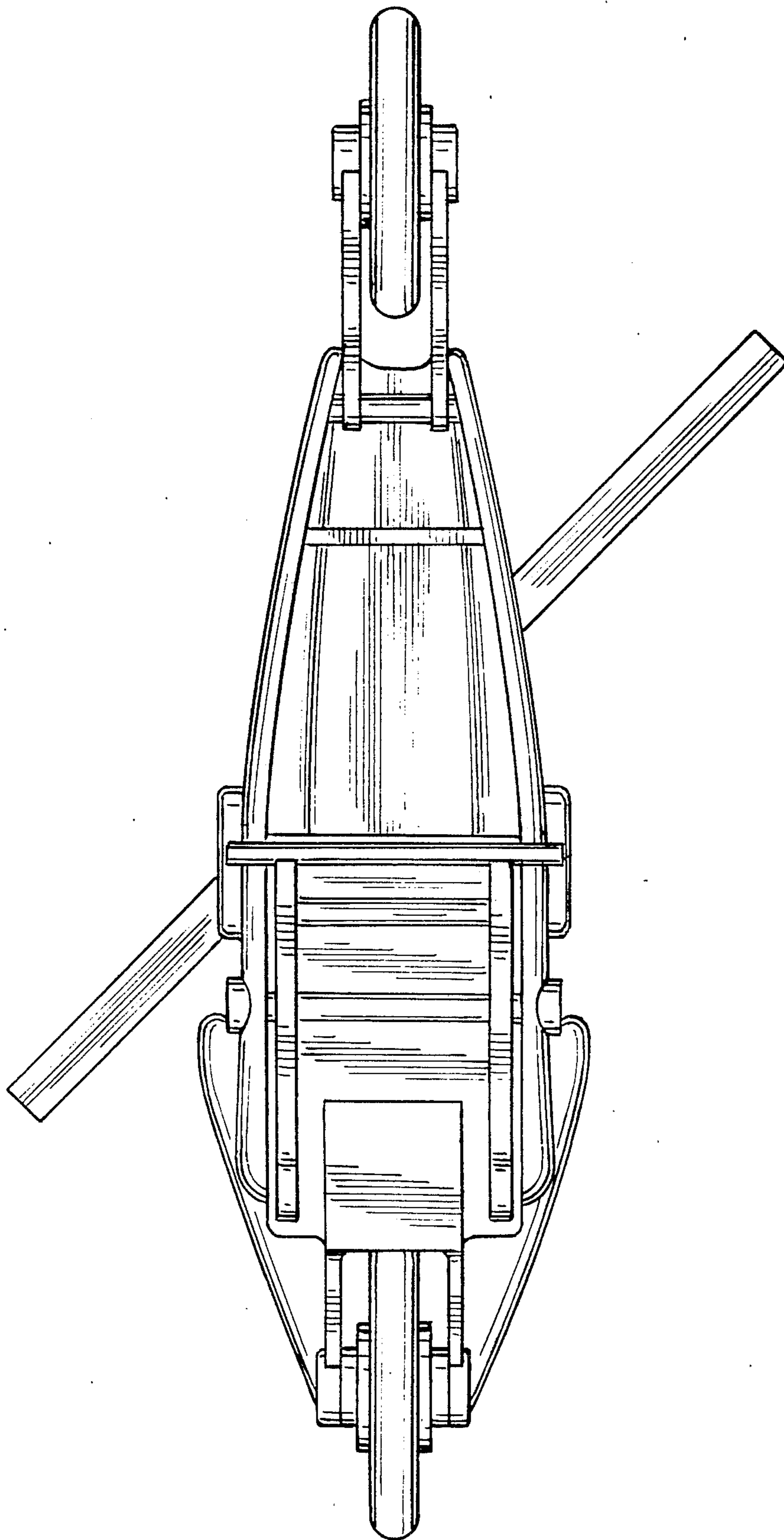


FIG. 3

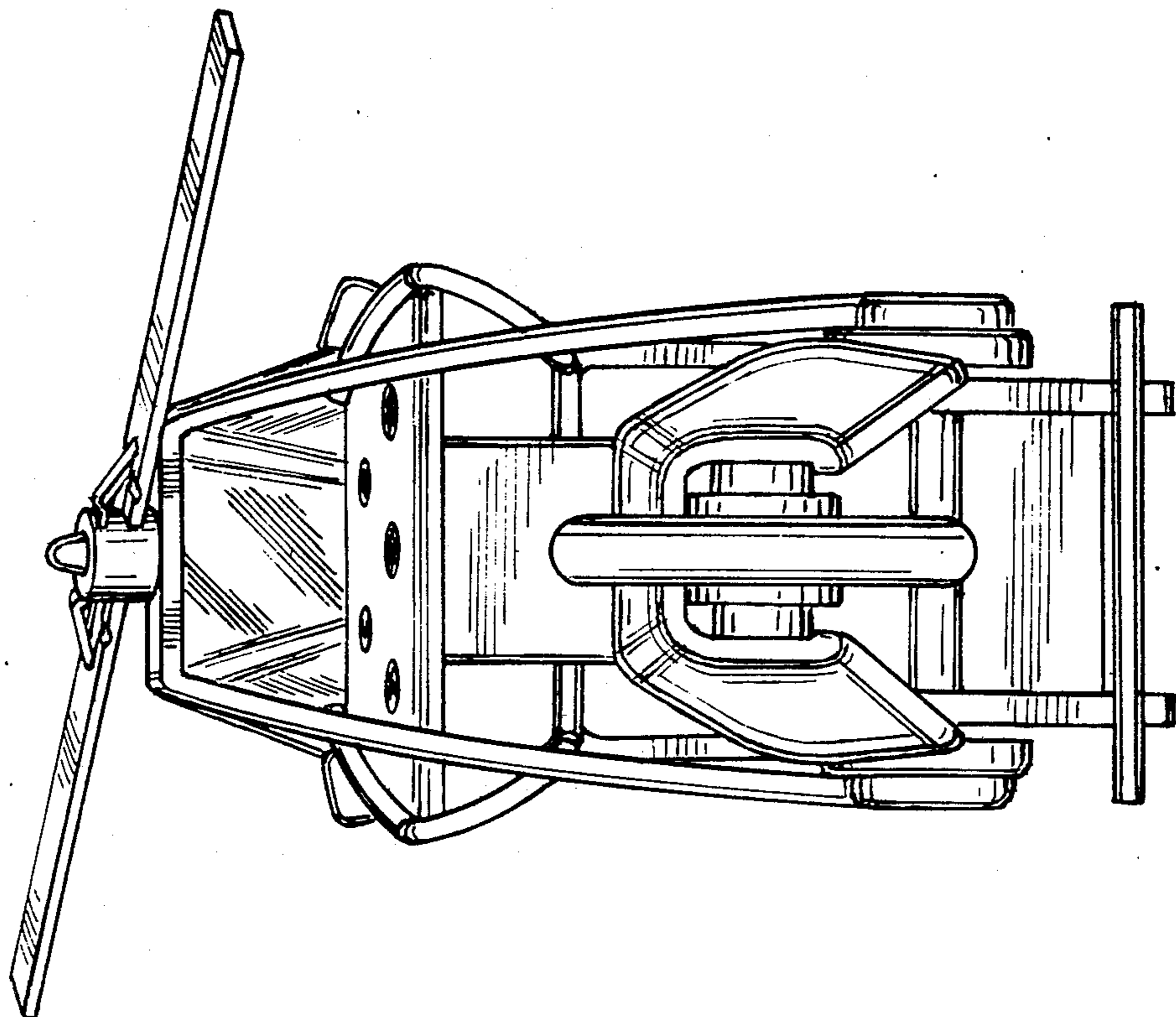


FIG. 5

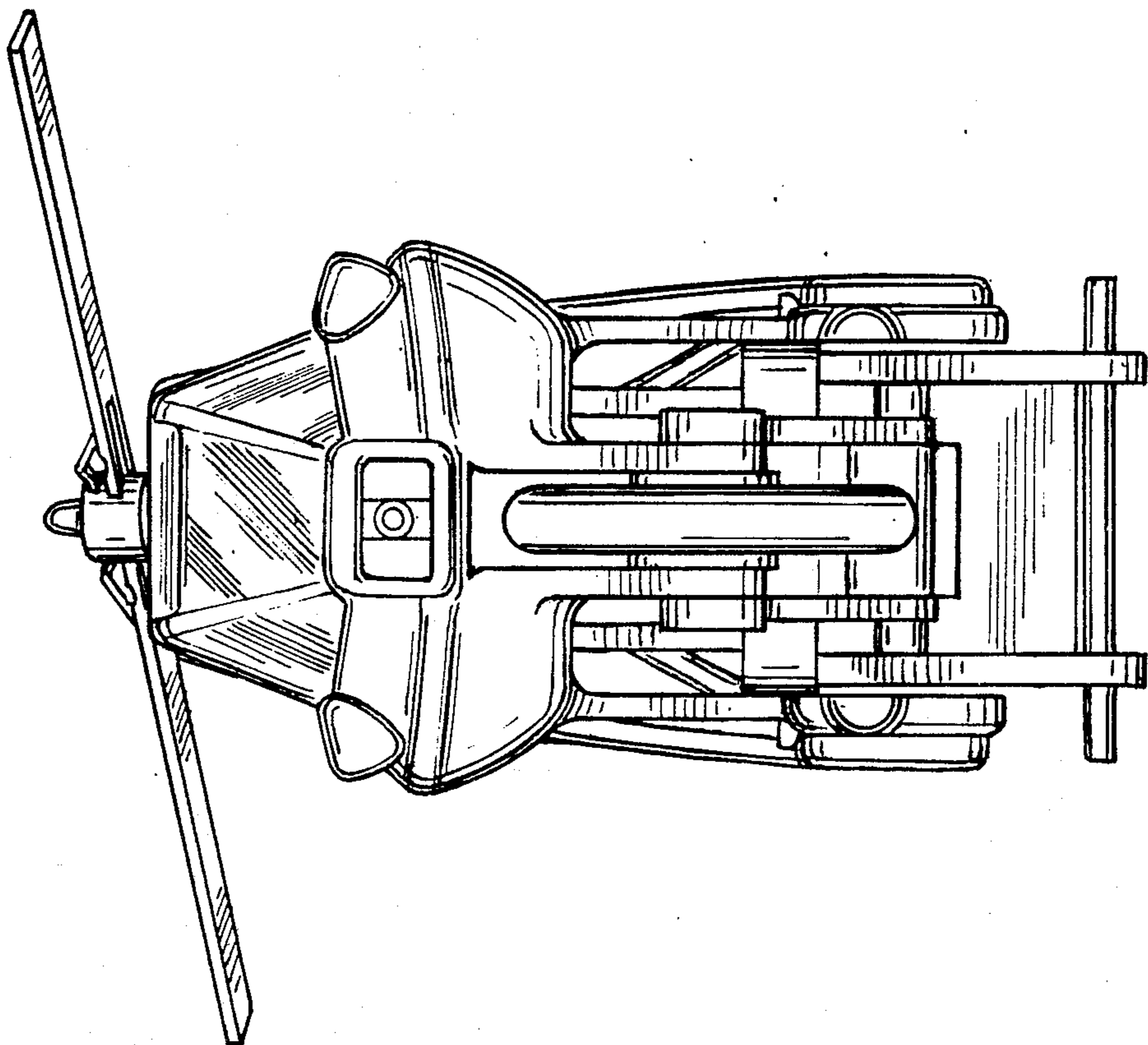


FIG. 6