

[54] RACK FOR HOLDING LEFTOVER FOOD CONTAINERS FOR REFRIGERATED STORAGE

2,916,161 12/1959 Schaefer D34/40
3,860,309 1/1975 Brendgord 211/88
3,862,689 1/1975 Taub 211/126
3,908,831 9/1975 Brendgord 211/88

[76] Inventor: Robert Y. Wolff, 525 Constellation Rd., Wickenburg, Ariz. 85358

Primary Examiner—Wallace R. Burke
Assistant Examiner—Ruth E. Takemoto
Attorney, Agent, or Firm—Cahill, Sutton & Thomas

[**] Term: 14 Years

[21] Appl. No.: 872,764

[57] CLAIM

[22] Filed: Jun. 10, 1986

The ornamental design for a rack for holding leftover food containers for refrigerated storage, as shown.

Related U.S. Application Data

DESCRIPTION

[62] Division of Ser. No. 487,876, Apr. 22, 1983.

[52] U.S. Cl. D15/89

[58] Field of Search D6/510-511, D6/432, 436, 449; D15/89; D19/92; D34/40, 43; D3/73; D9/432; 211/71, 74, 88, 126, 194; 126/337 R; 312/126, 128; 294/172

FIG. 1 is a top, front and left side perspective view of a rack for holding leftover food containers for refrigerated storage showing my new design; FIG. 2 is a front elevational view thereof; FIG. 3 is a top plan view thereof; FIG. 4 is a right side elevational view thereof, the opposite side being a mirror image; FIG. 5 is a rear elevational view thereof; and FIG. 6 is a bottom plan view thereof, on a reduced scale.

[56] References Cited

U.S. PATENT DOCUMENTS

D. 214,920 8/1969 Cashman D6/510
D. 275,500 9/1984 Tyke D19/92
2,717,505 9/1955 Andersson 62/105

FIGS. 2, 3 and 5 are shown broken away for ease of illustration only.

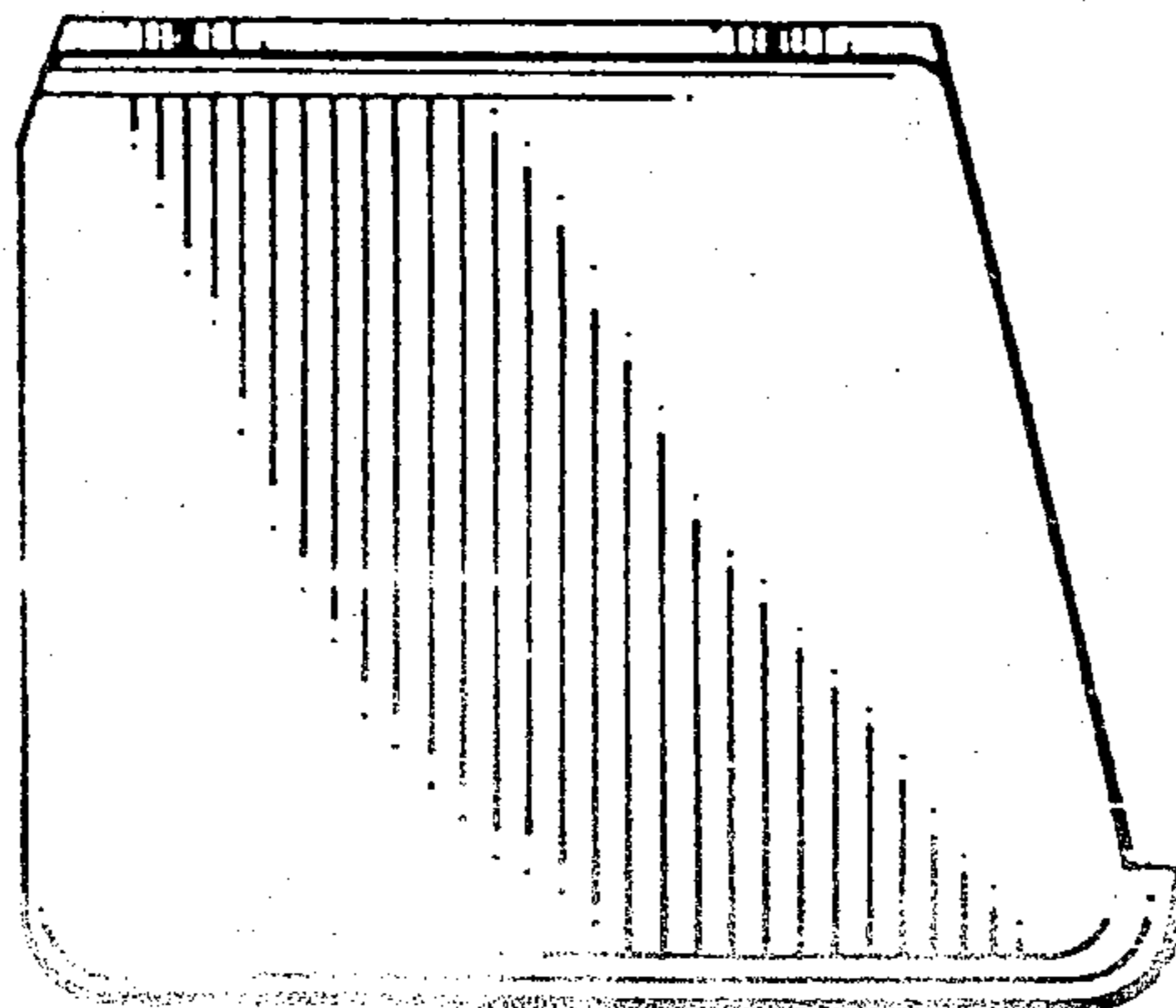
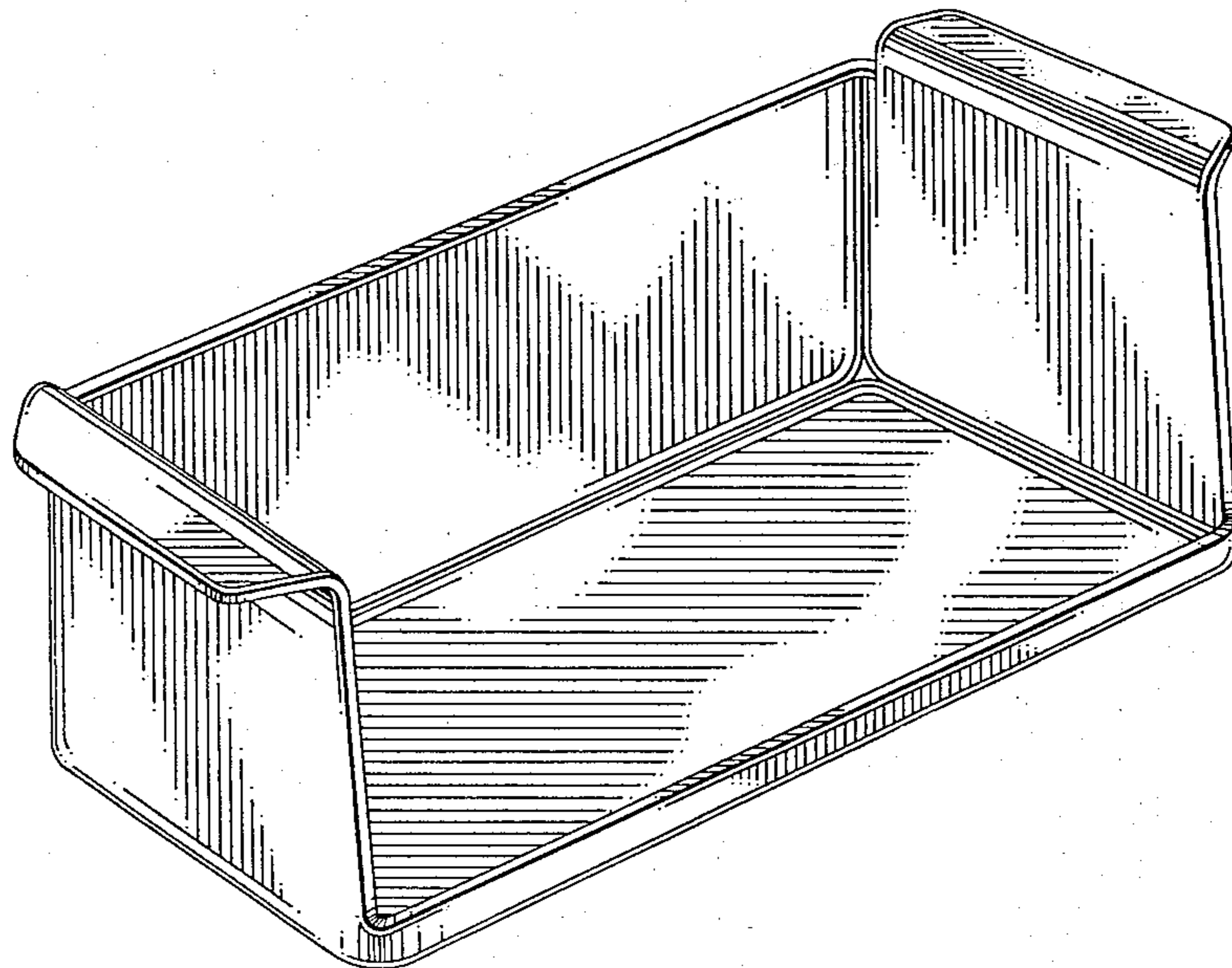


FIG. 1

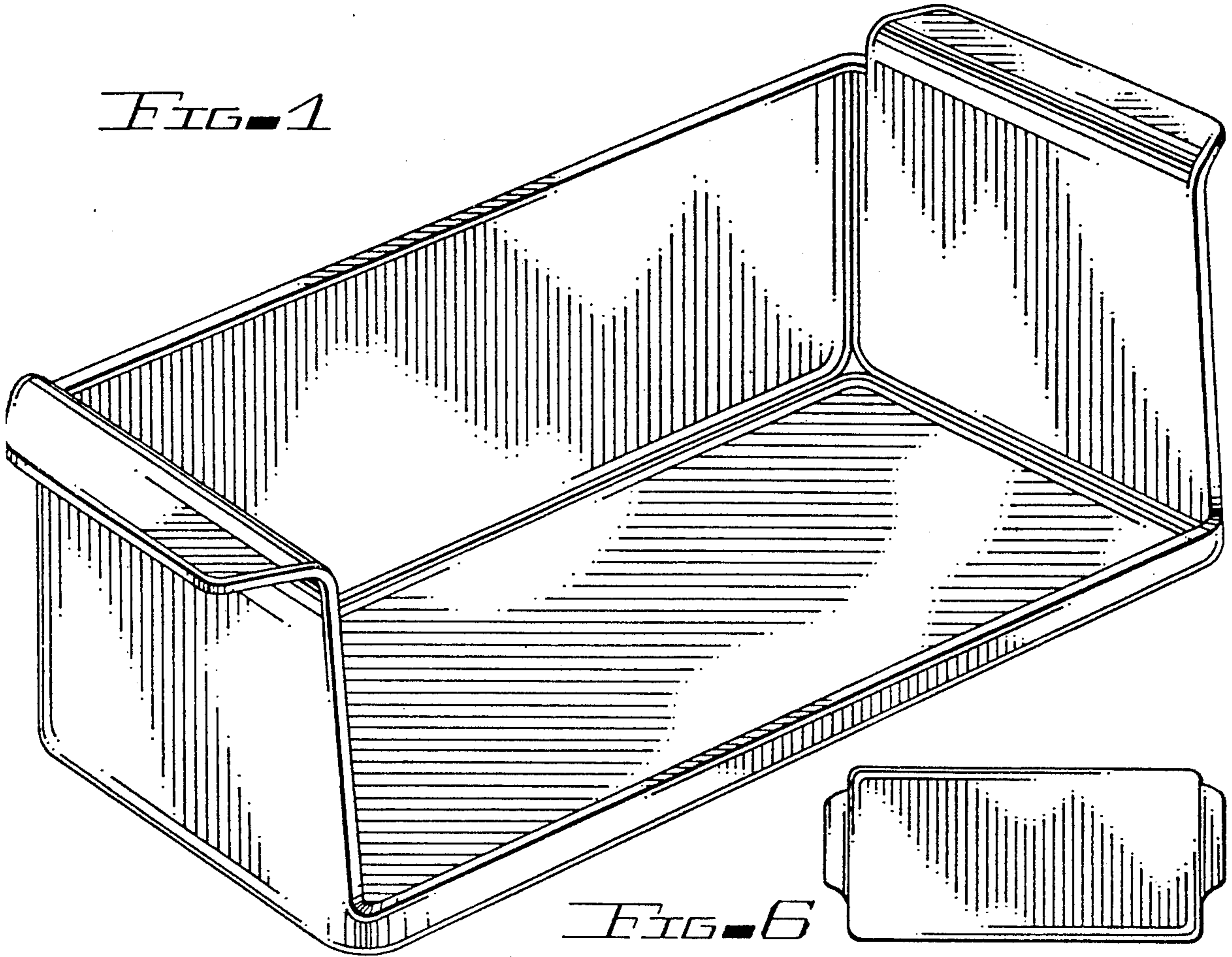


FIG. 6

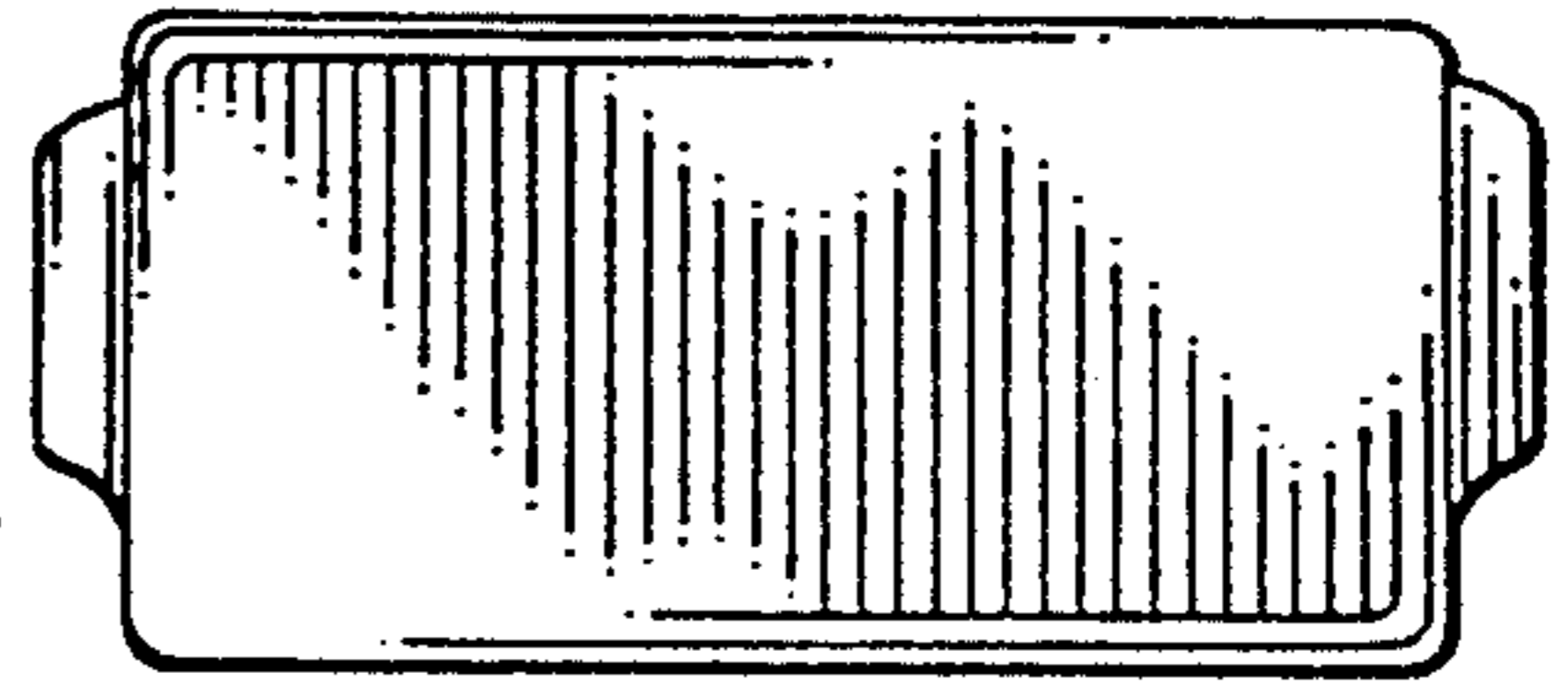


FIG. 2

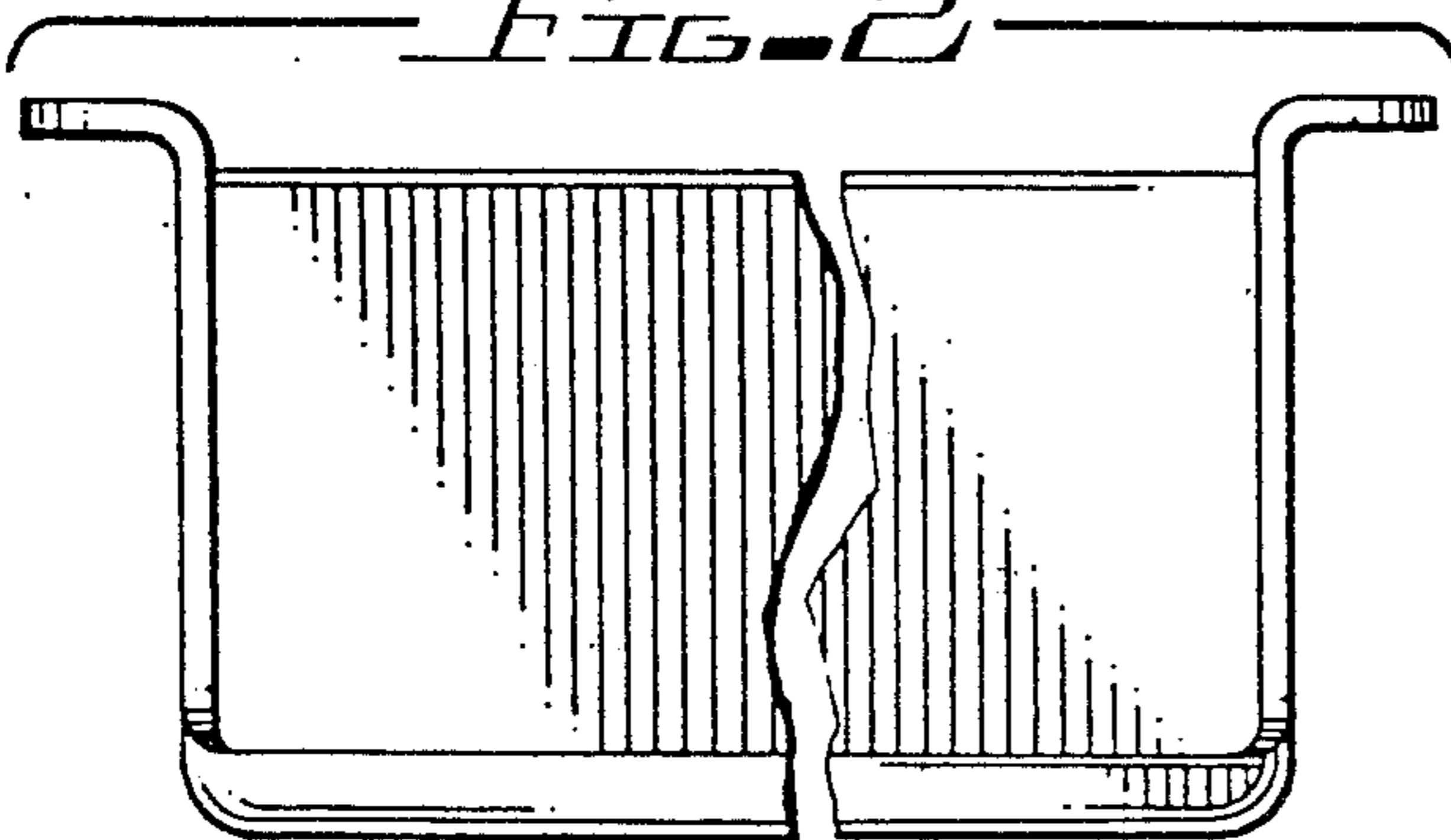


FIG. 3

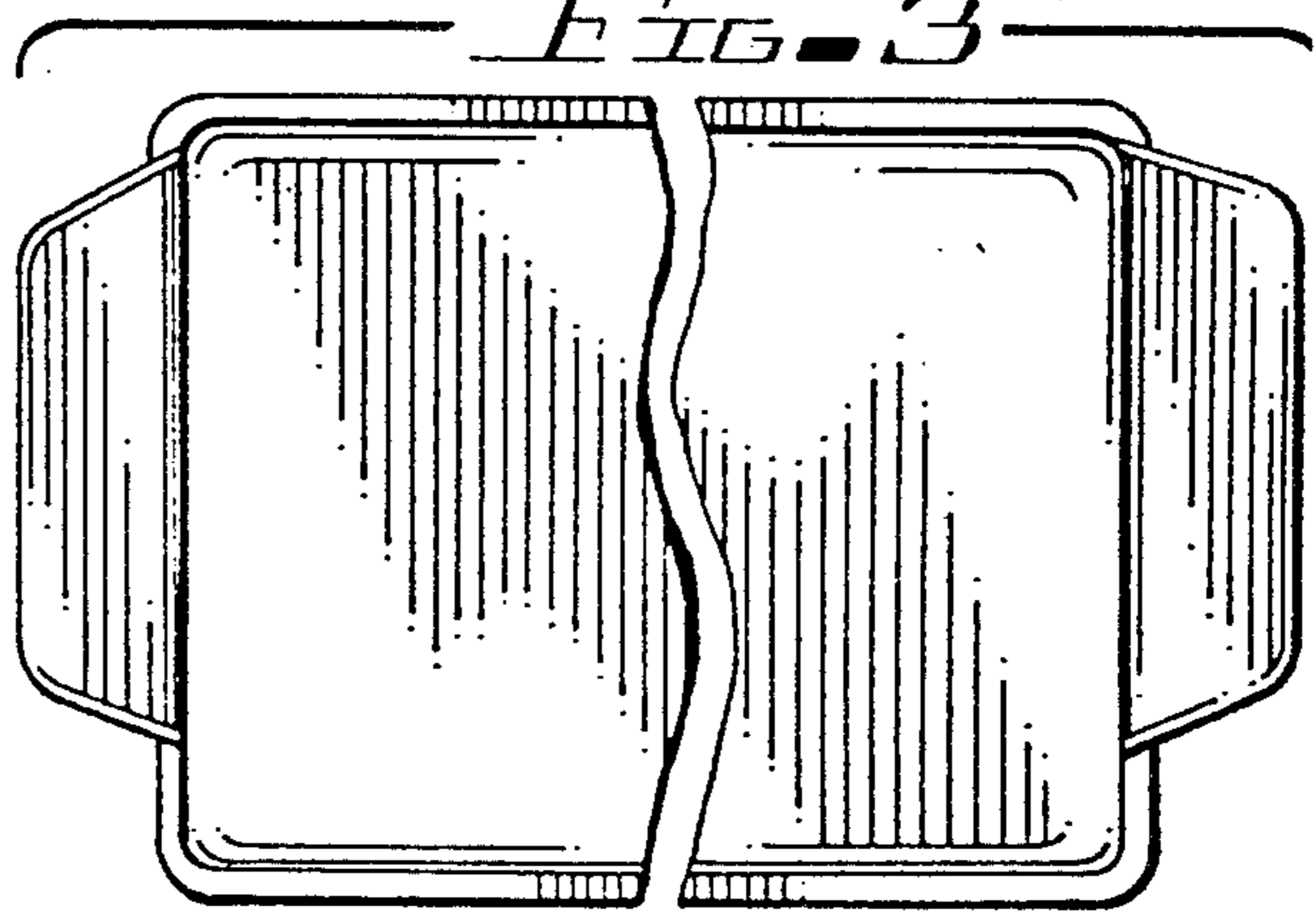


FIG. 4

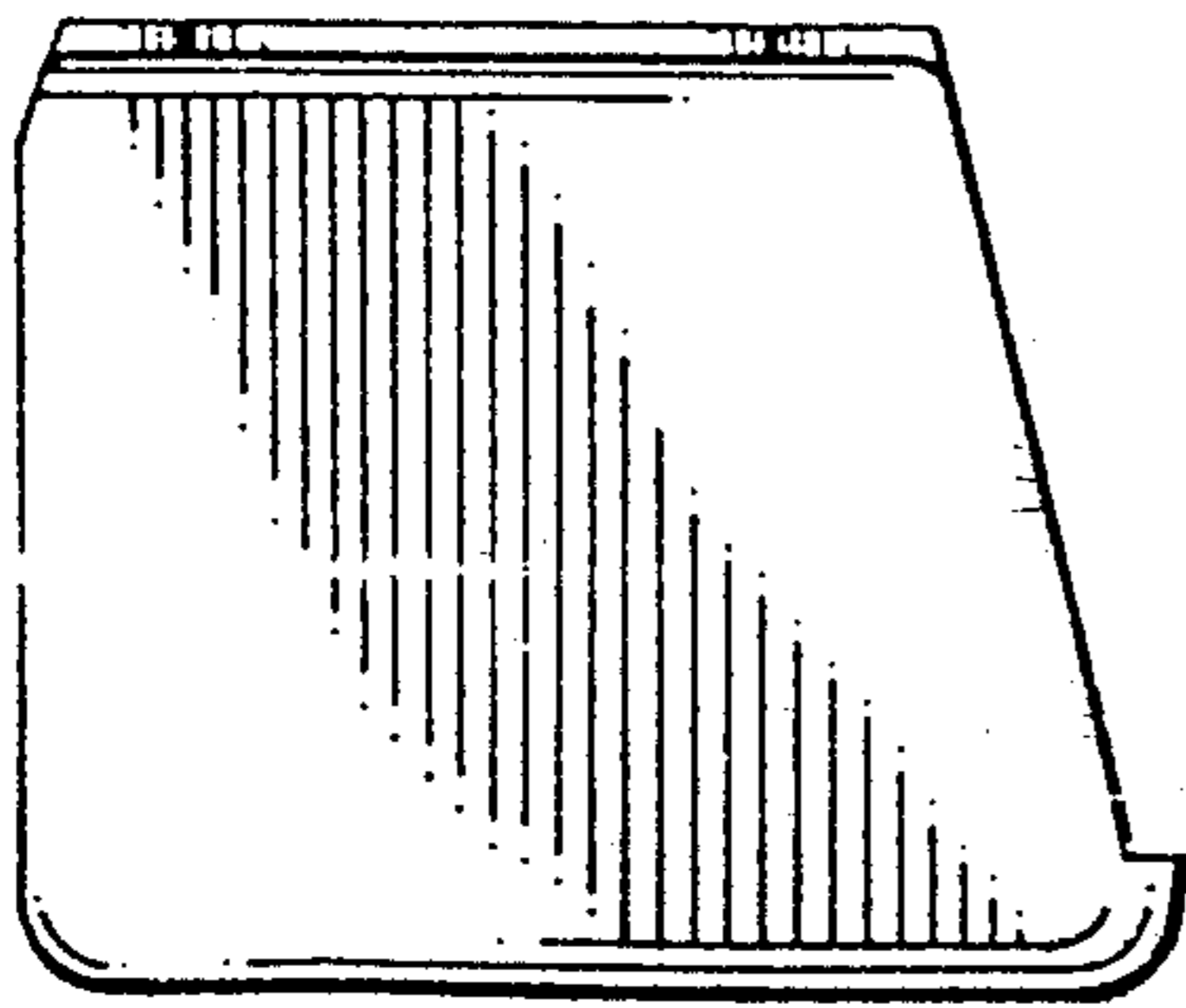


FIG. 5

