

[54] POWER BOAT HATCH

[75] Inventors: Allan Brown, North Miami Beach; Robert B. Gowens, Plantation; Valentine Jenkins, Pembroke Lakes, all of Fla.

[73] Assignee: Cigarette Racing Team, Inc., North Miami Beach, Fla.

[**] Term: 14 Years

[21] Appl. No.: 792,974

[22] Filed: Oct. 30, 1985

[52] U.S. Cl. D12/317

[58] Field of Search D12/317; 114/343, 364, 114/347, 201 R, 178

[56] References Cited

U.S. PATENT DOCUMENTS

D. 193,697	9/1962	LoTurco	D12/317
3,958,289	5/1976	Carlson	114/364
4,398,488	8/1983	Mathieu	114/343
4,569,301	2/1986	Pyburn	114/364

FOREIGN PATENT DOCUMENTS

700649	12/1964	Canada	114/201 R
--------	---------	--------	-------	-----------

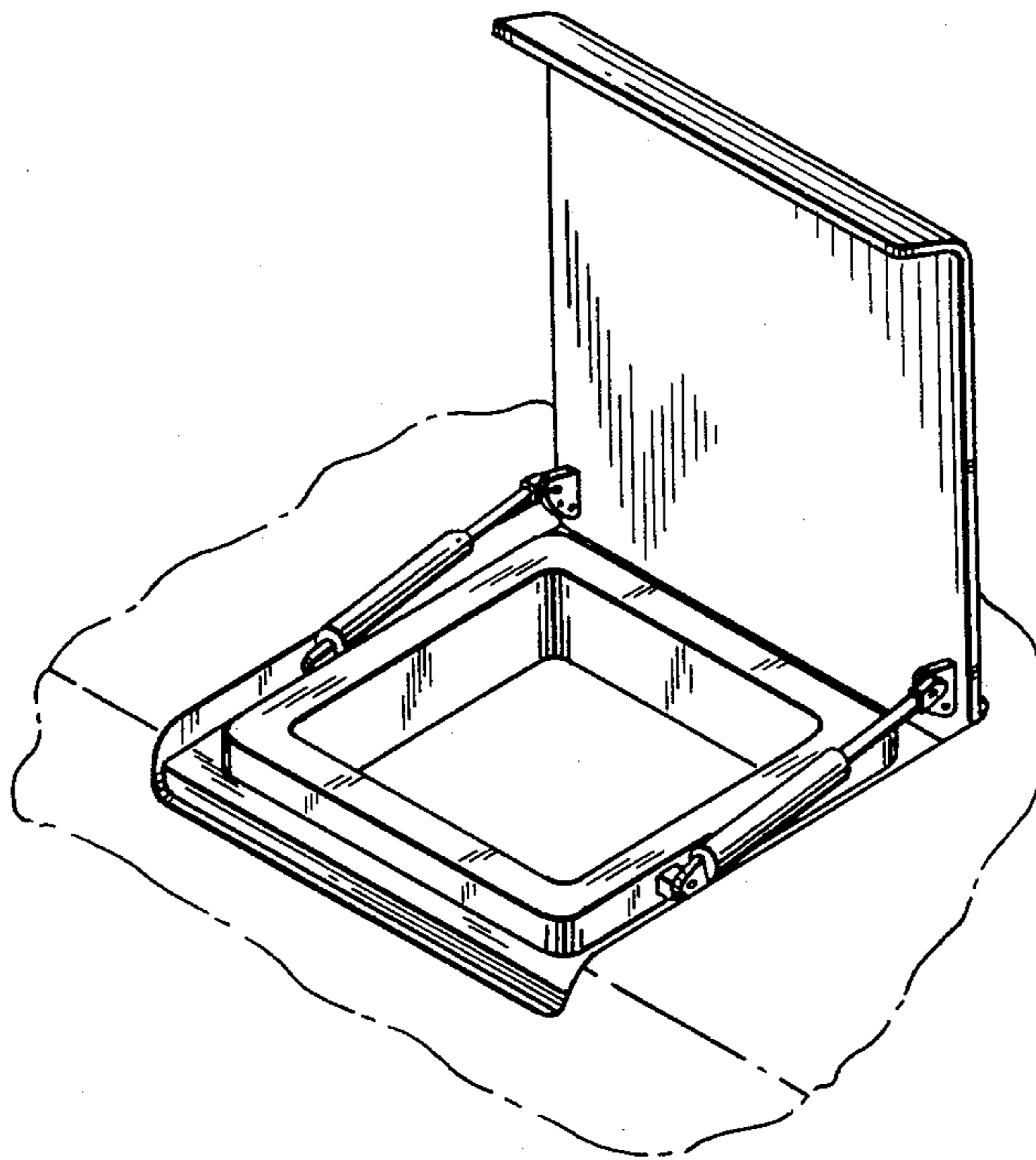
Primary Examiner—James M. Gandy
Assistant Examiner—Kay H. Chin
Attorney, Agent, or Firm—Lieberman, Rudolph & Nowak

[57] CLAIM

The ornamental design for a power boat hatch, as shown and described.

DESCRIPTION

FIG. 1 is a perspective view of a power boat hatch showing our new design; FIG. 2 is a top plan view thereof; FIG. 3 is a side elevational view thereof; FIG. 4 is an enlarged perspective view thereof, showing the hatch in an open condition; FIG. 5 is a top plan view of FIG. 4; FIG. 6 is a side elevational view of FIG. 4; FIG. 7 is a top plan view of a second embodiment of a power boat hatch in an open condition, the sole difference from the first embodiment resides in upstanding side walls being tapered; FIG. 8 is a side elevational view of FIG. 7. The broken lines shown in FIGS. 1 thru 8 of the drawing are for illustrative purposes only and form no part of the claimed design.



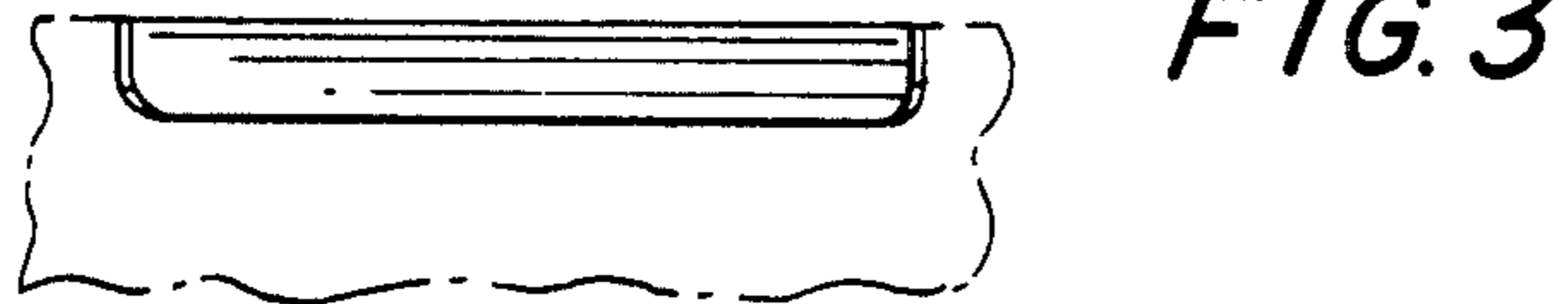
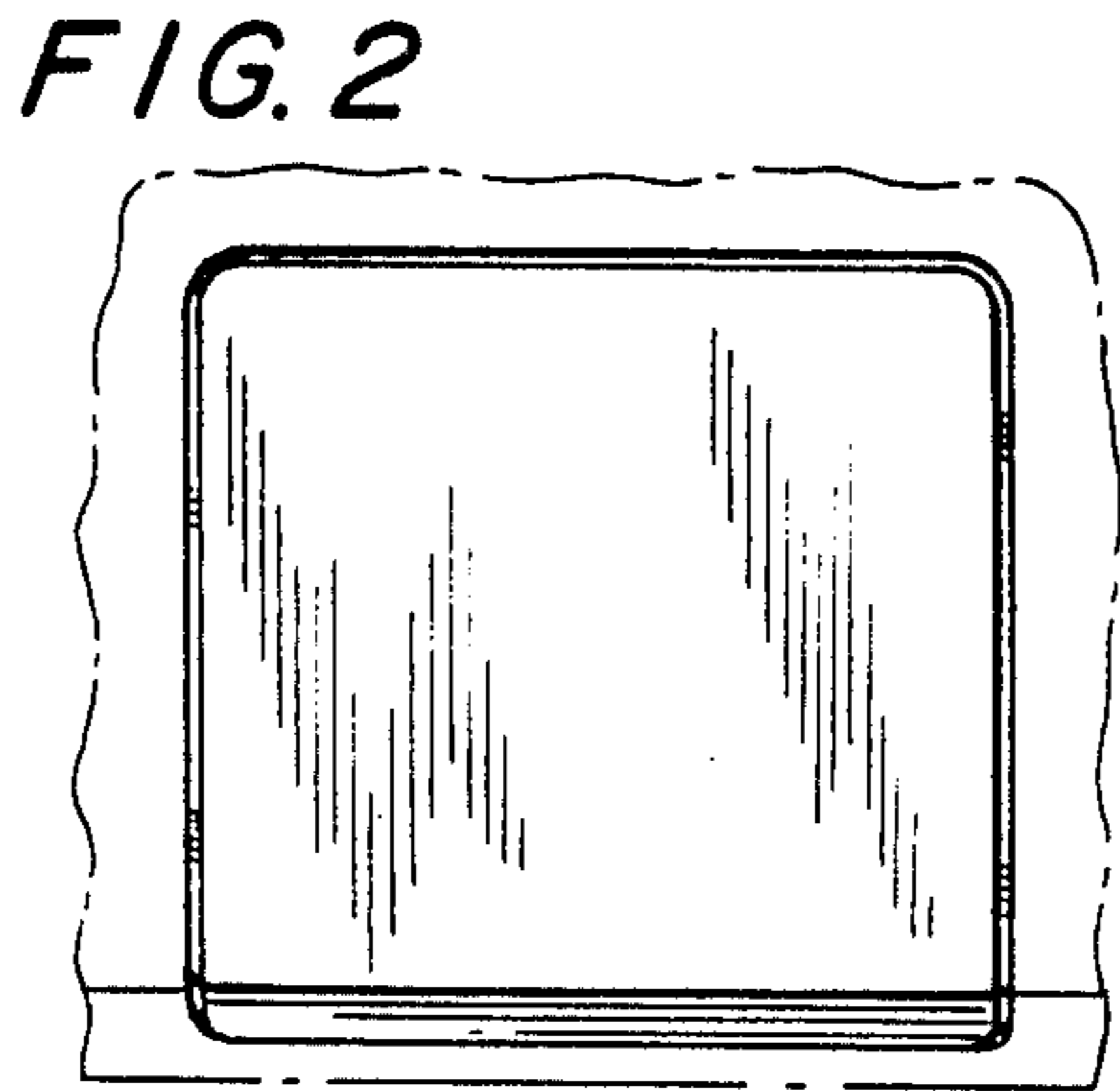
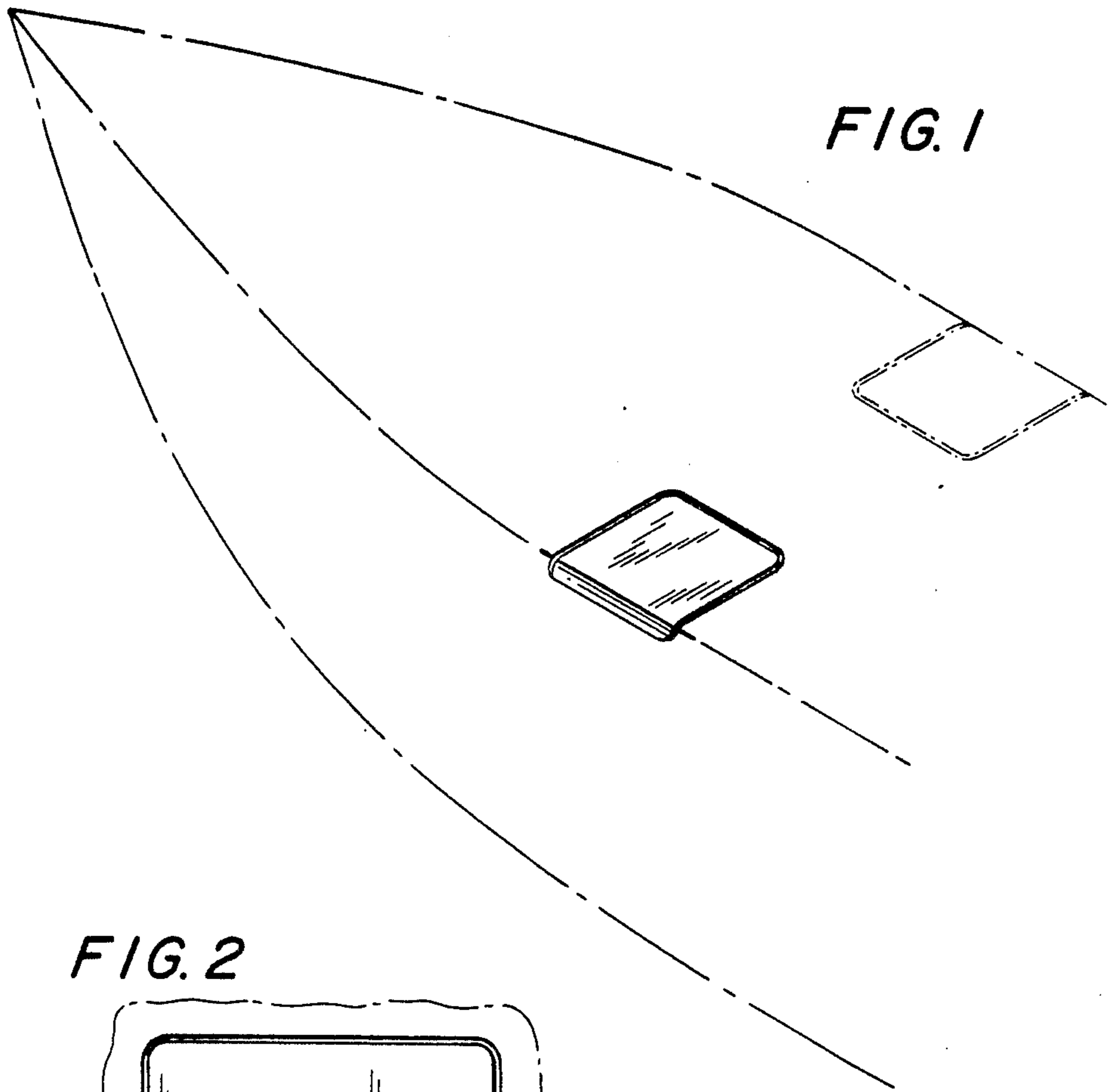


FIG. 4

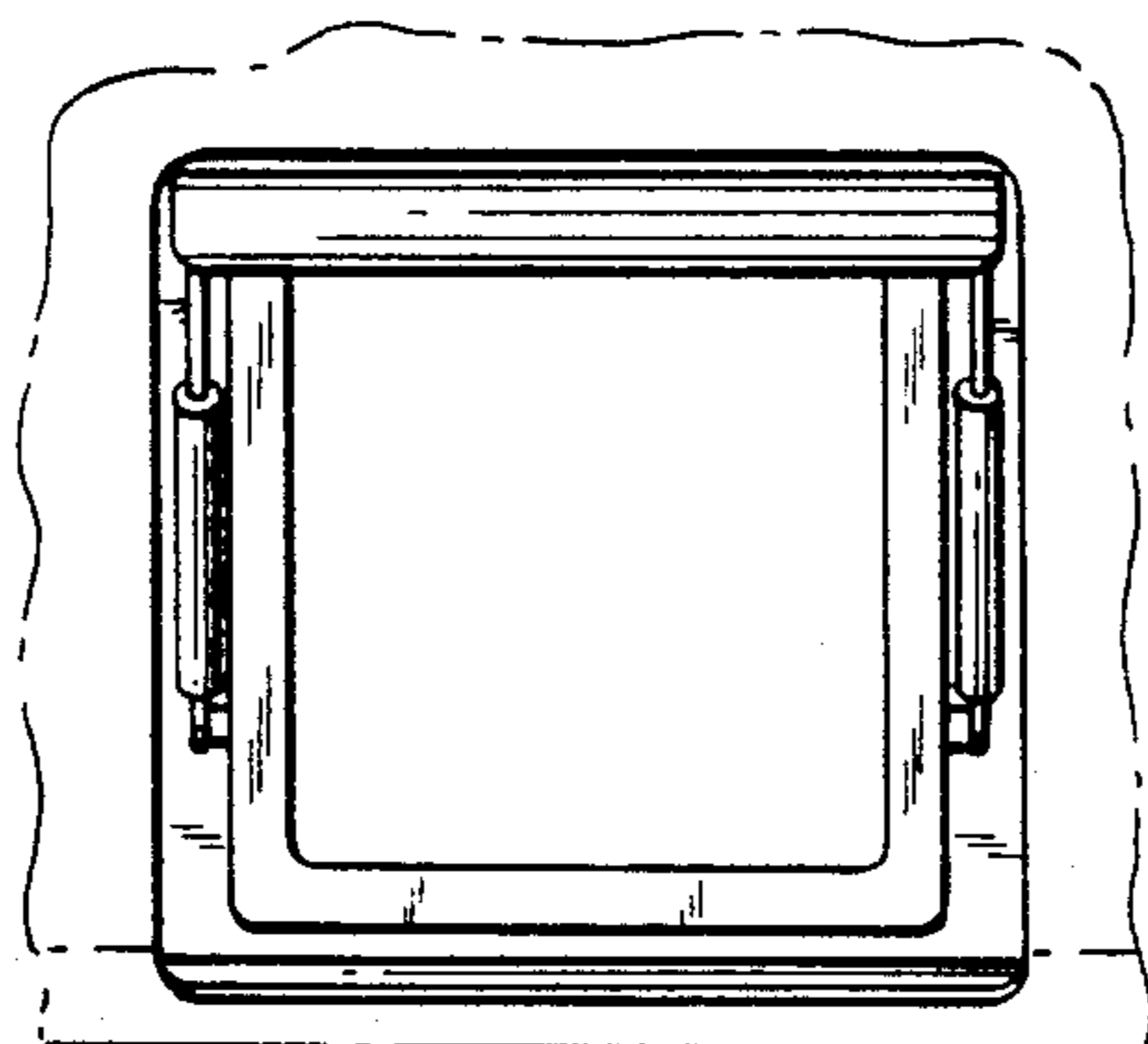
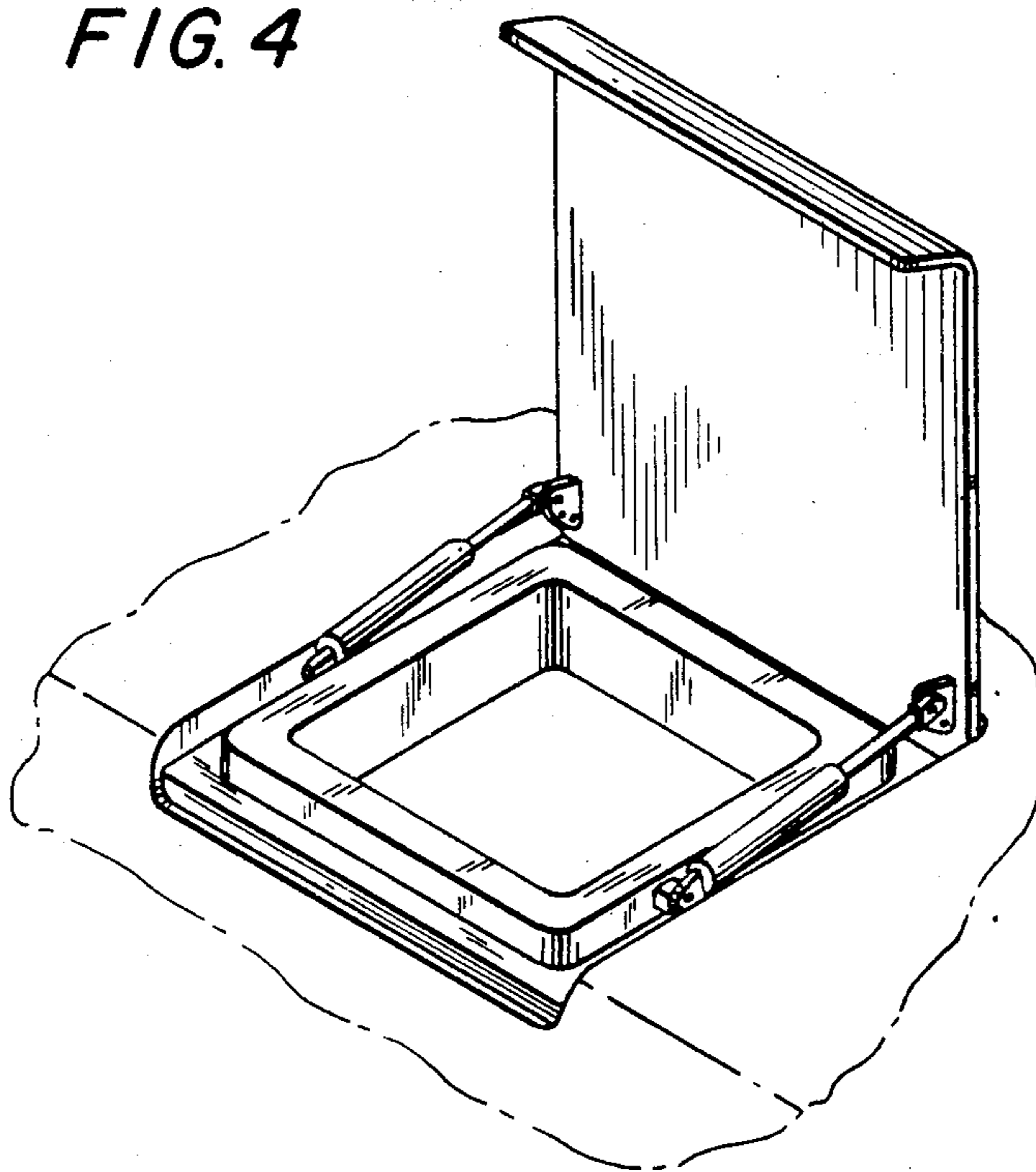


FIG. 5

FIG. 6

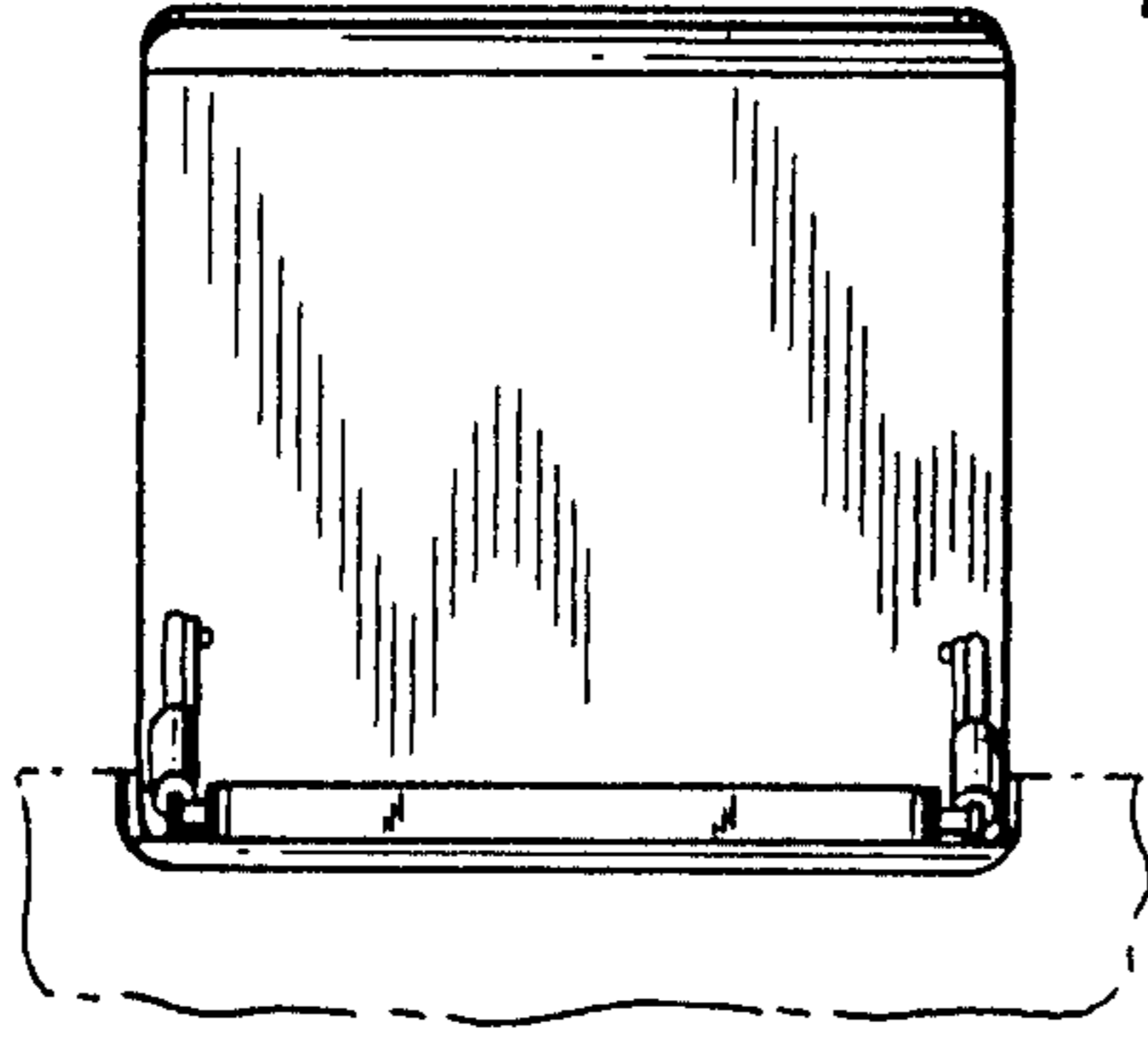


FIG. 7

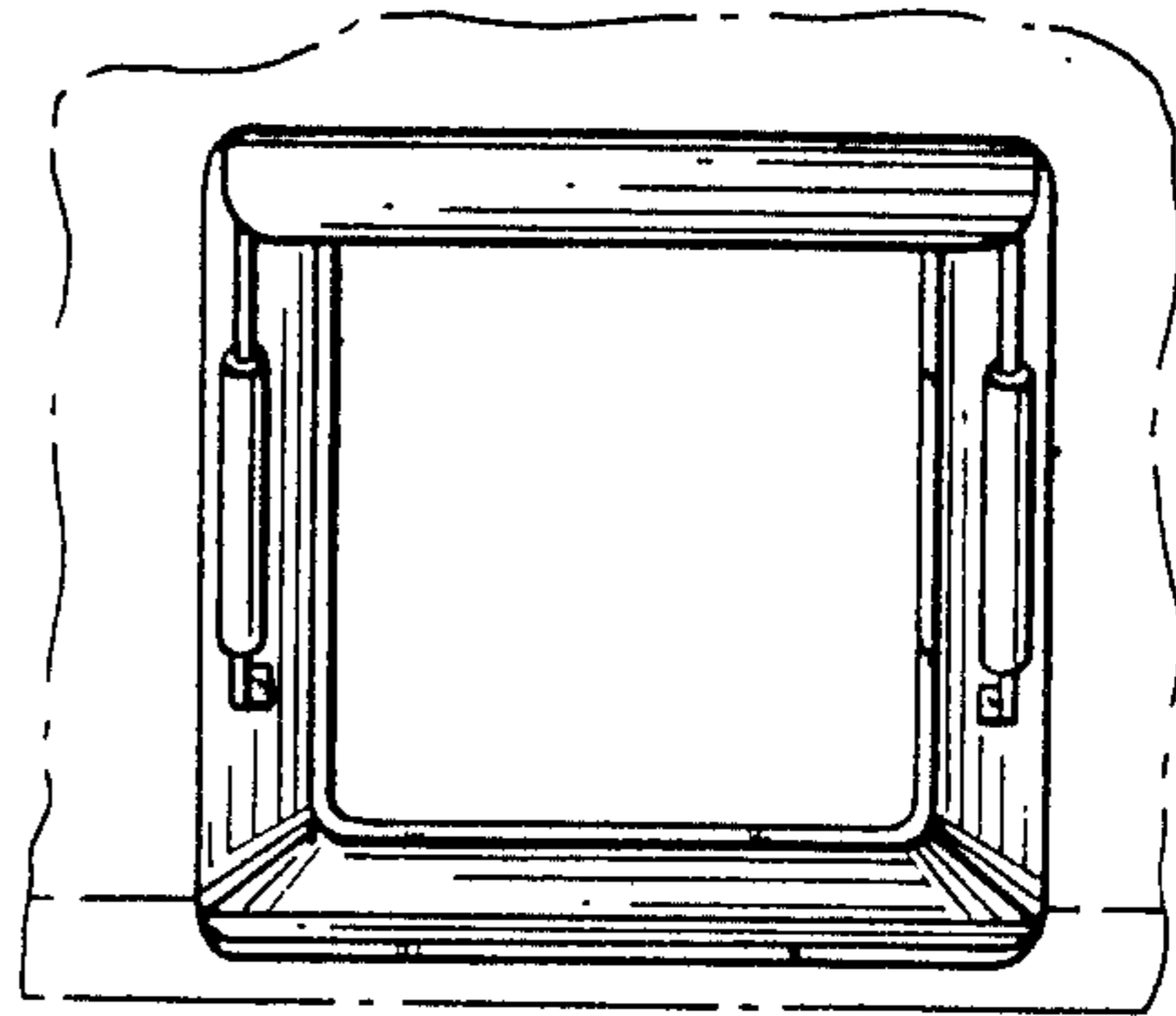


FIG. 8

