

[54] PONTOON BOAT

[76] Inventor: Ernesto C. Curiel C., Consedo Nacional de Investigaciones Cientificas y Technologicas, Conicit, Apartado 70617, Los Ruices, Caracas, Venezuela

[**] Term: 14 Years

[21] Appl. No.: 740,033

[22] Filed: May 31, 1985

[52] U.S. Cl. D12/316; D12/304

[58] Field of Search D12/300, 306, 316, 5; 114/270, 357, 61, 345, 292; 441/37, 44

[56] References Cited

U.S. PATENT DOCUMENTS

D. 221,809	9/1971	Love	D12/306
3,134,113	5/1964	Boyington et al.	114/61
3,210,783	10/1965	Petty	114/61
4,562,786	1/1986	Pruonto	114/61

FOREIGN PATENT DOCUMENTS

952371	8/1974	Canada	114/270
1210293	3/1960	France	114/61
84206	5/1982	Japan	114/270
651793	10/1985	Switzerland	114/345

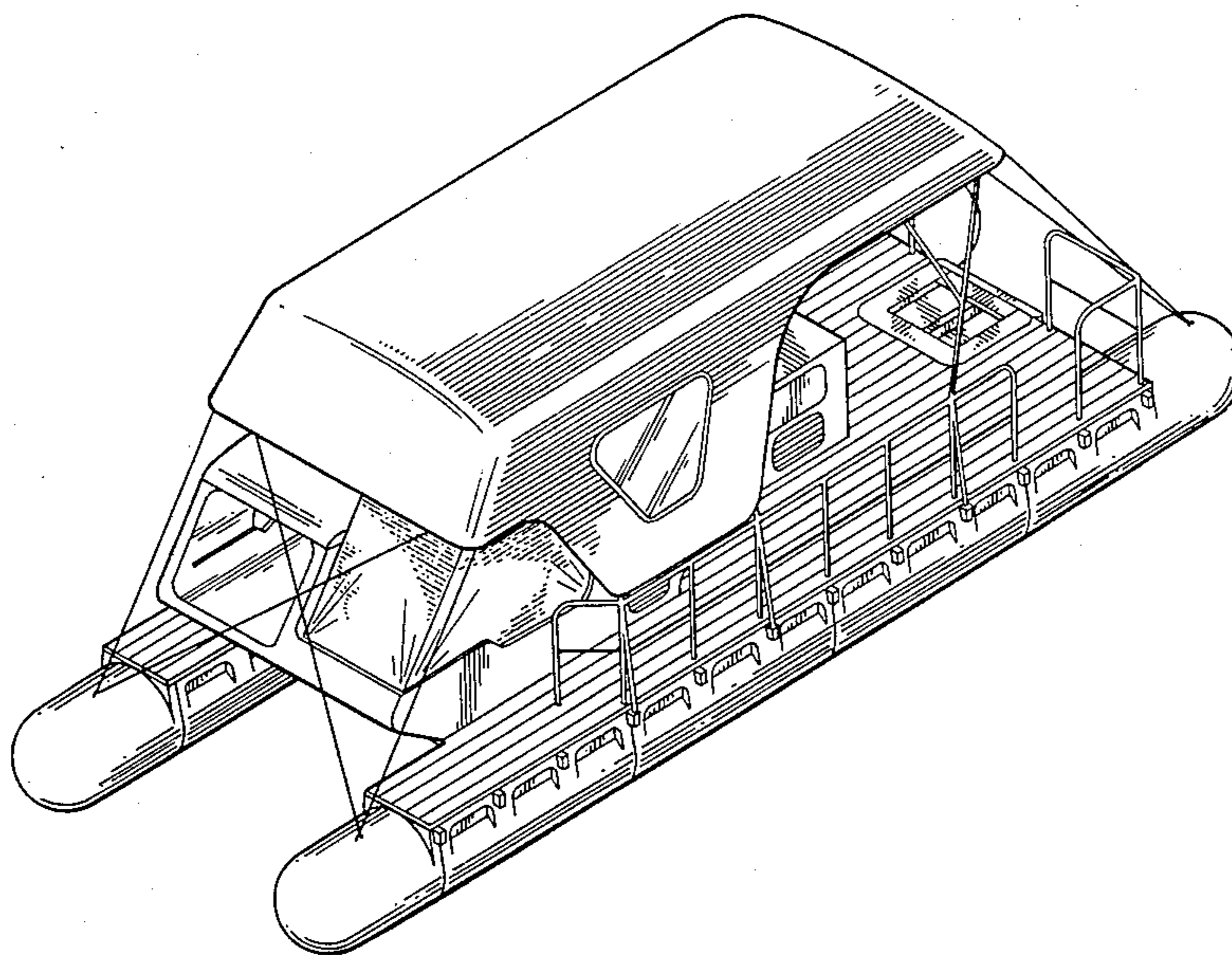
Primary Examiner—James M. Gandy
Assistant Examiner—Kay H. Chin
Attorney, Agent, or Firm—Phillips, Moore, Lempio & Finley

[57] CLAIM

The ornamental design for a pontoon boat, as shown.

DESCRIPTION

FIG. 1 is a front perspective view of a pontoon boat showing my new design.
FIG. 2 is a starboard side elevational view thereof;
FIG. 3 is a front elevational view thereof;
FIG. 4 is a top plan view thereof;
FIG. 5 is a port side elevational view thereof;
FIG. 6 is a rear elevational view thereof;
FIG. 7 is a bottom plan view thereof.



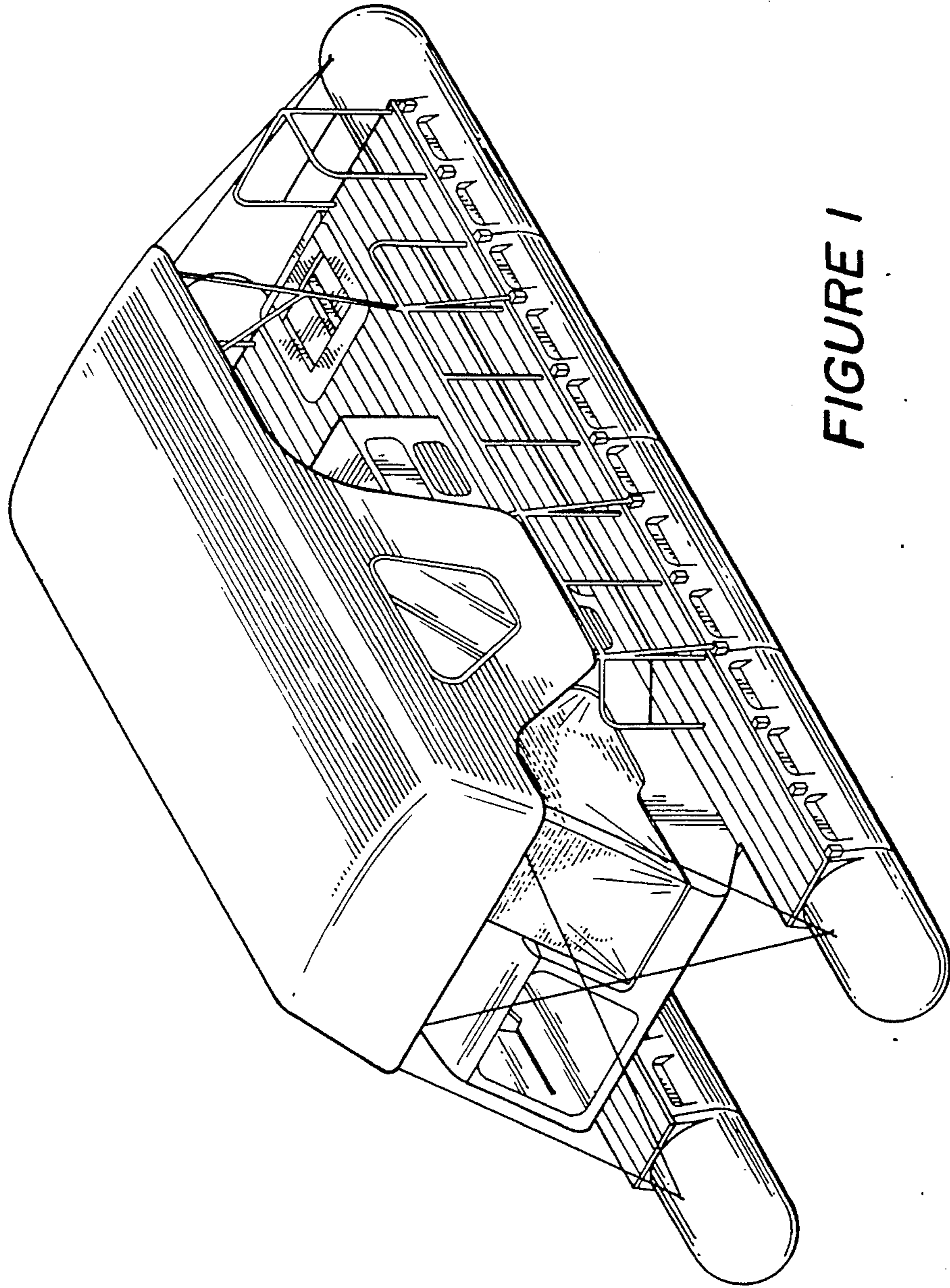


FIGURE 1

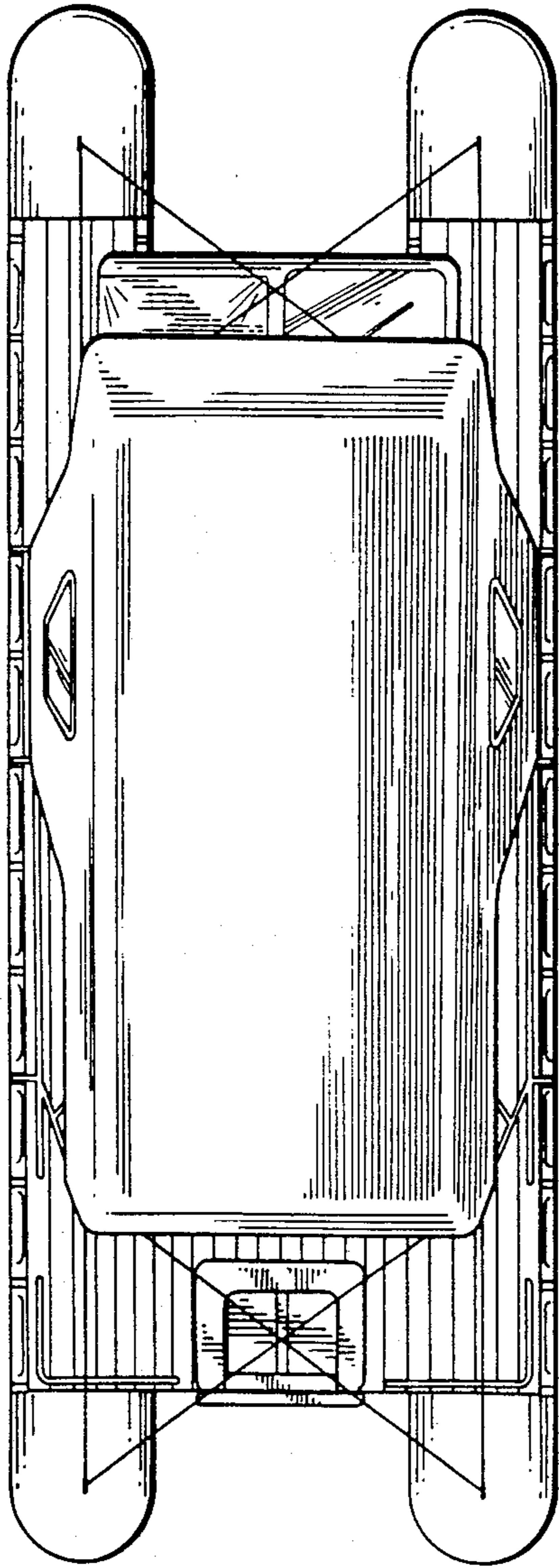


FIGURE 4

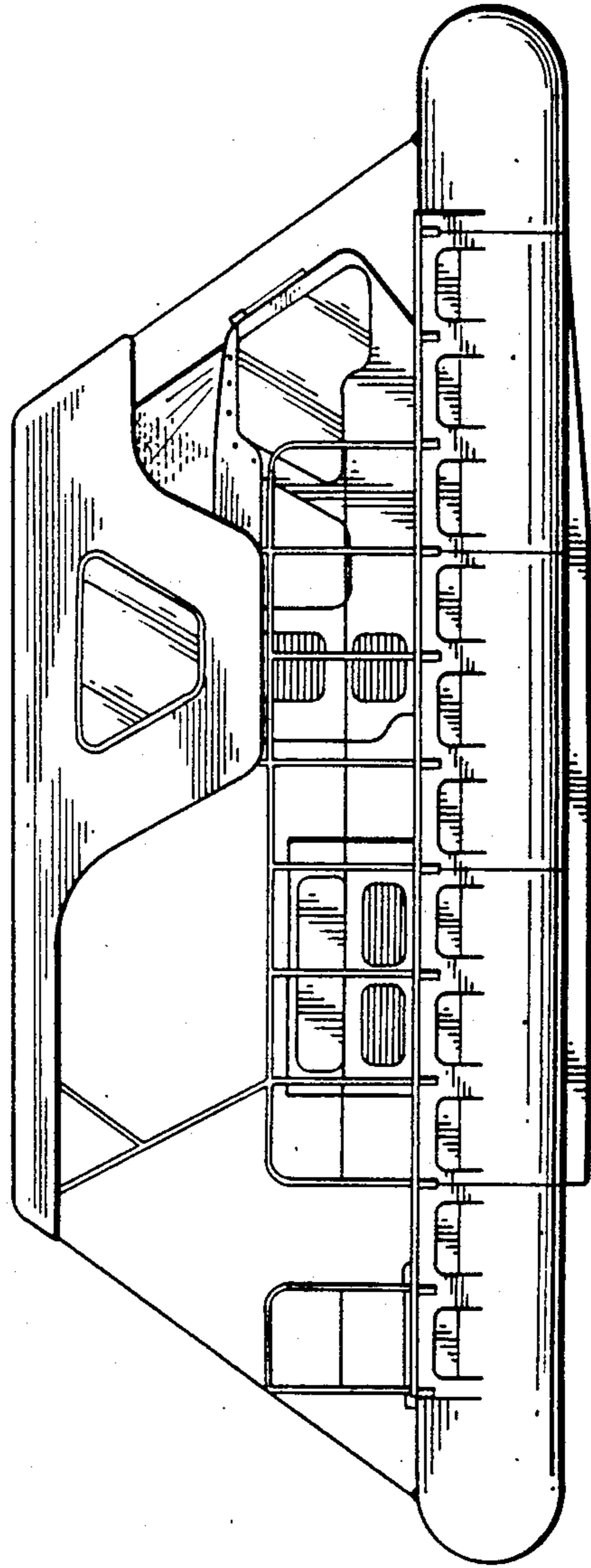


FIGURE 2

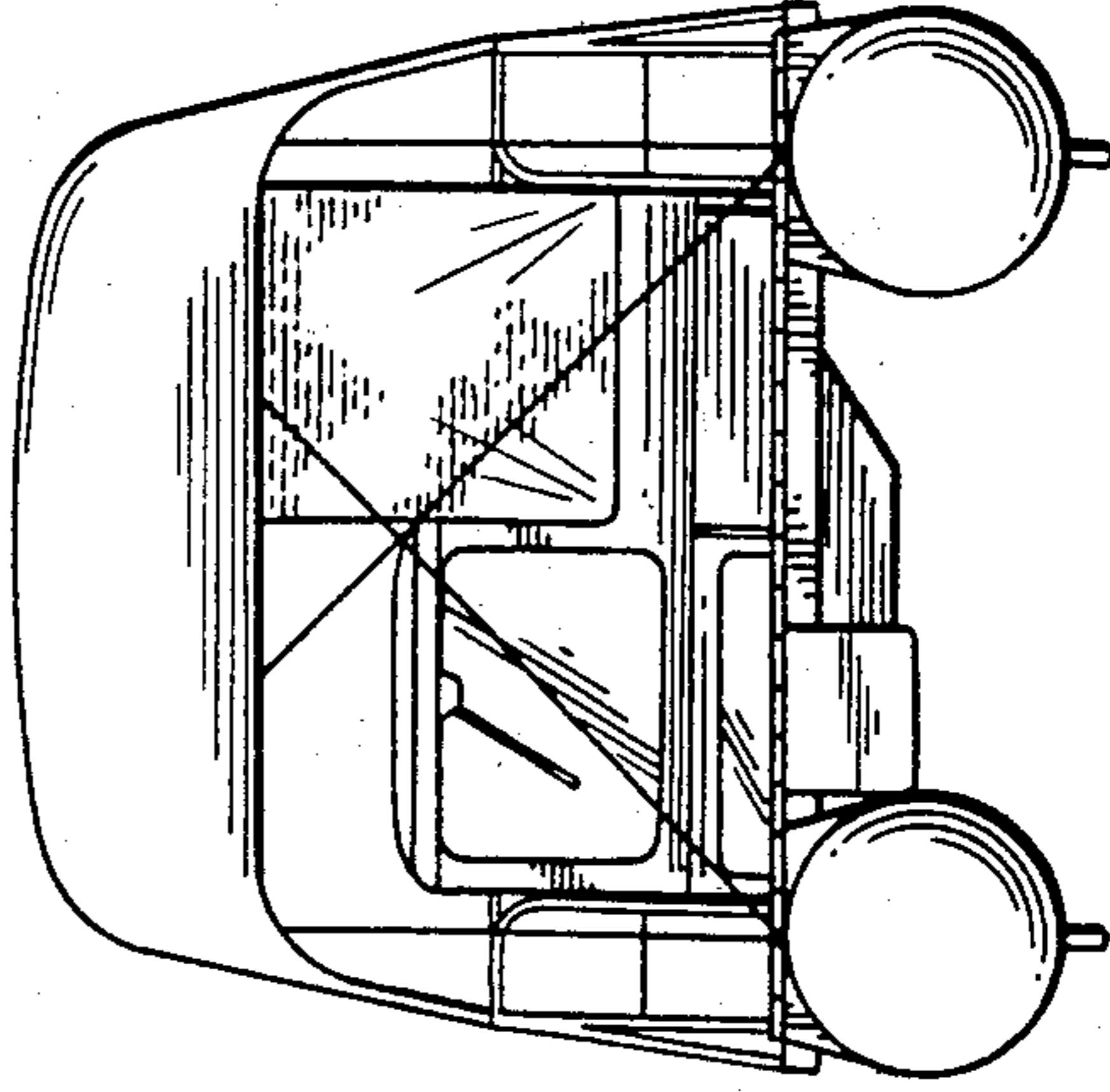


FIGURE 3

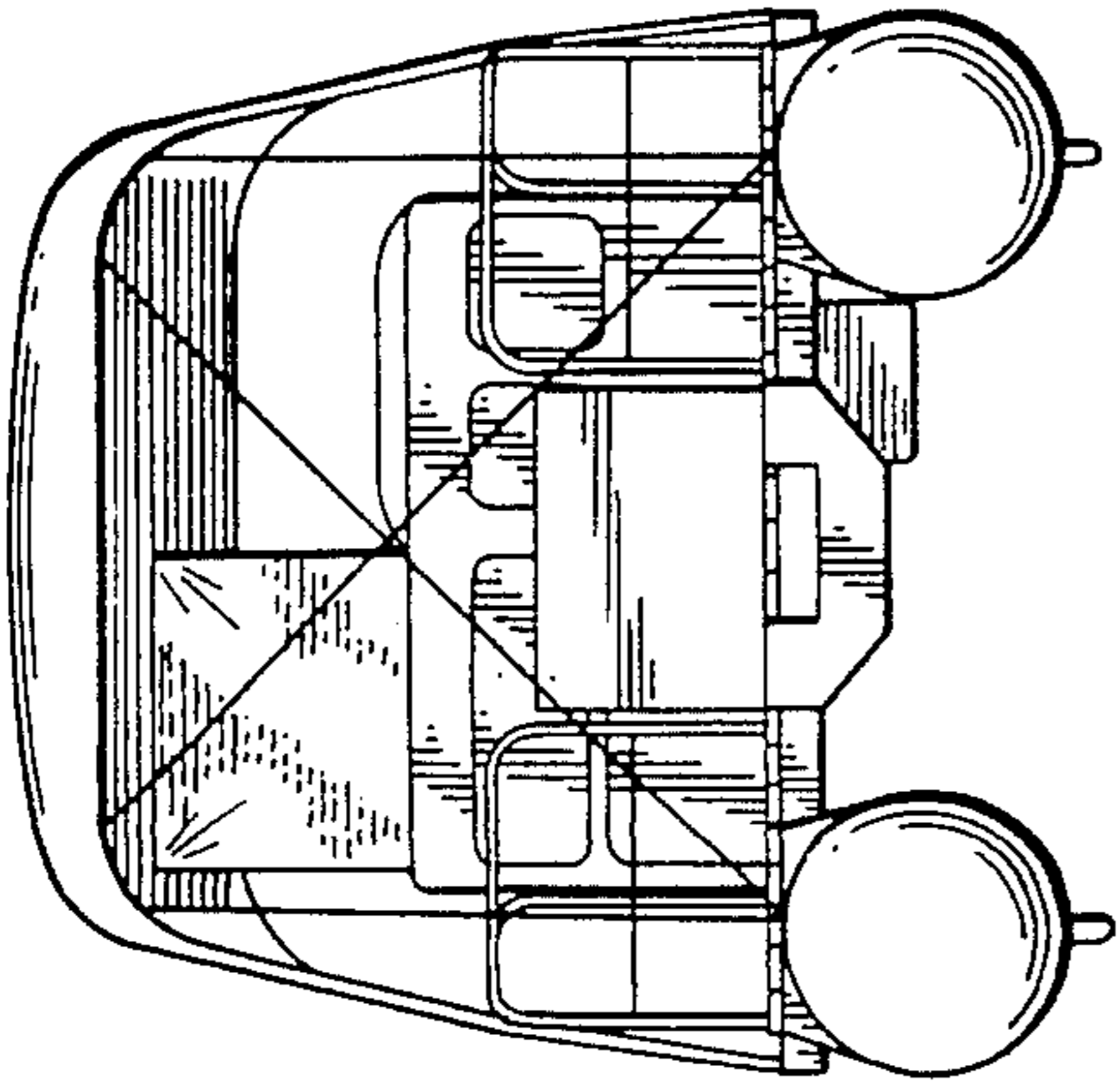


FIGURE 6

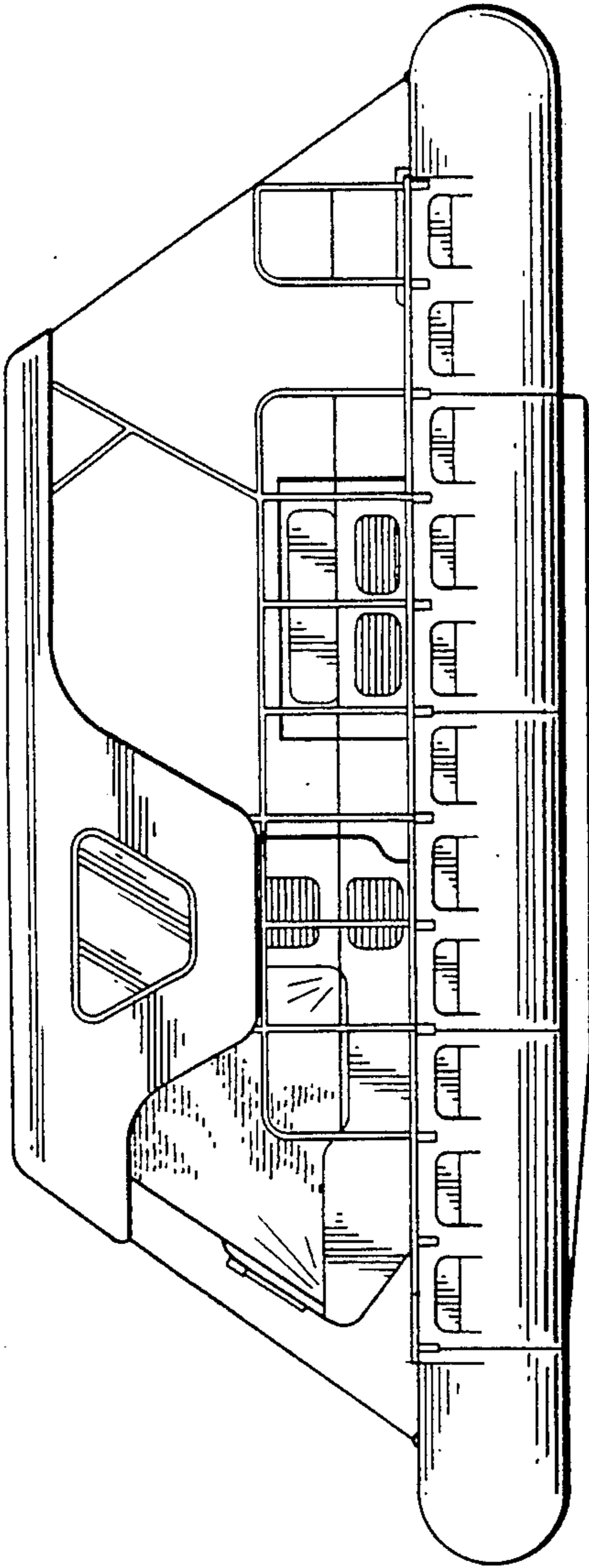


FIGURE 5

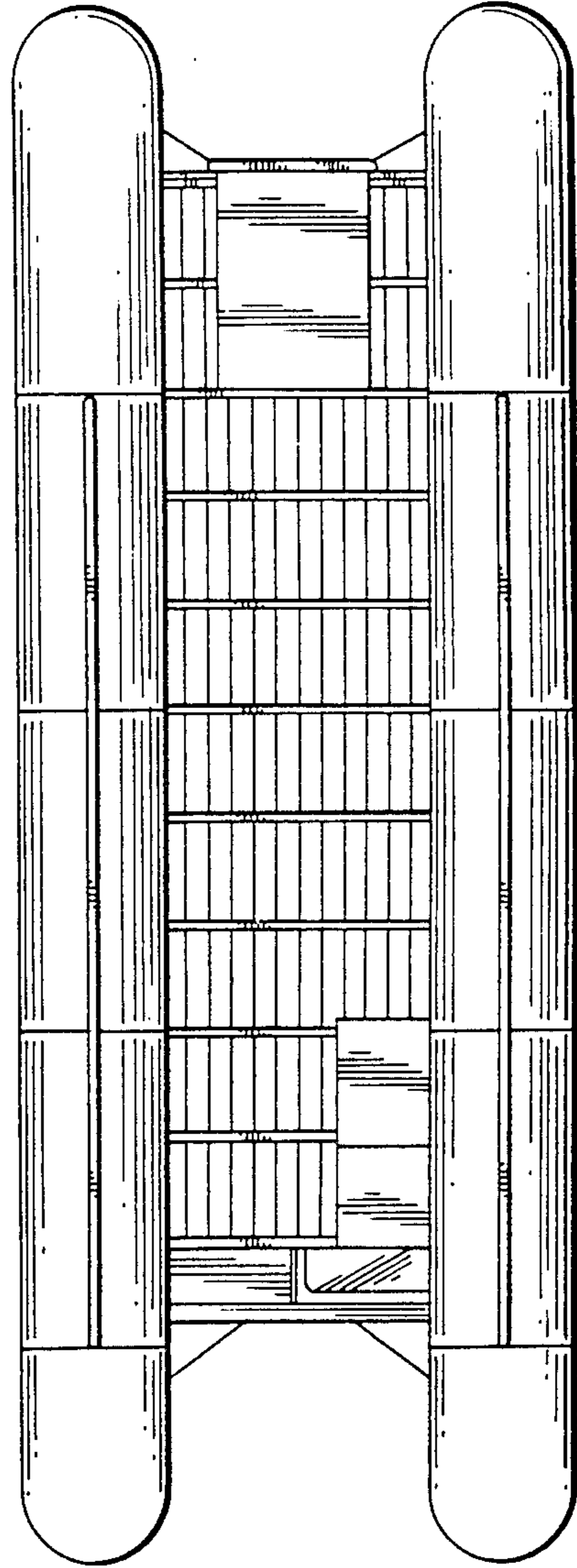


FIGURE 7