

[54] TWIN HULL VESSEL WITH PROPELLER

[76] Inventor: Antonio Ubezio, via Torino 76/78, 28069 Trecate, Italy

[**] Term: 14 Years

[21] Appl. No.: 809,611

[22] Filed: Dec. 16, 1985

[30] Foreign Application Priority Data

Sep. 24, 1985 [IT] Italy 36190/85[U]
[52] U.S. Cl. D12/306
[58] Field of Search D12/306, 300; 440/37, 440/26, 29, 30; 114/61, 270

[56] References Cited

U.S. PATENT DOCUMENTS

D. 96,906 9/1935 Custer D12/306
D. 235,198 5/1975 Preston D12/305
540,680 6/1895 Moulton 440/30
2,899,925 8/1959 Meek D12/306
3,704,682 12/1972 Piccitto 114/270

FOREIGN PATENT DOCUMENTS

648197 9/1962 Canada 114/270
1441399 6/1976 United Kingdom 440/30

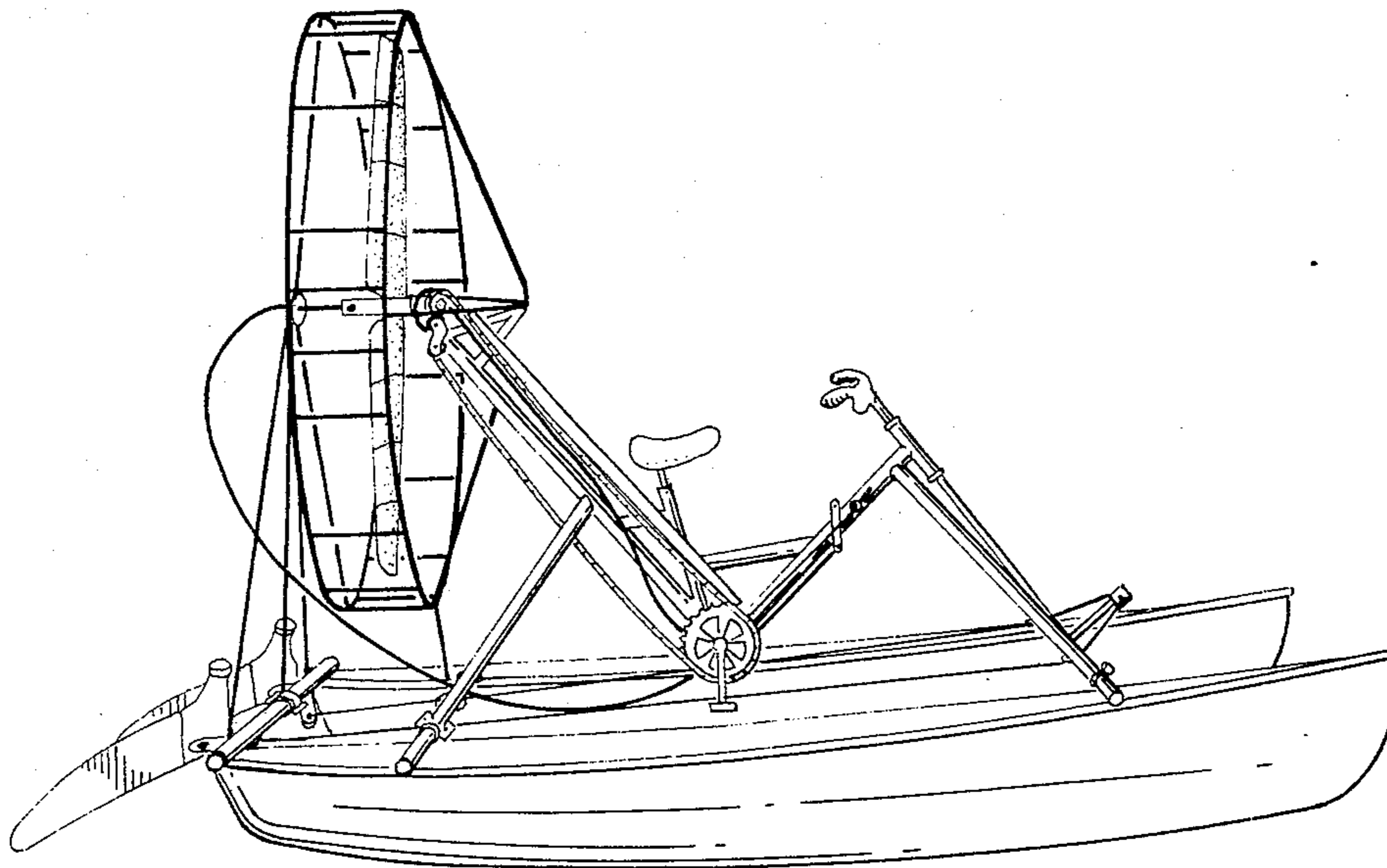
Primary Examiner—James M. Gandy
Assistant Examiner—Kay H. Chin
Attorney, Agent, or Firm—Beveridge, DeGrandi & Weilacher

[57] CLAIM

The ornamental design for a twin hull vessel with propeller, as shown and described.

DESCRIPTION

FIG. 1 is a side perspective view of a twin hull vessel with propeller showing my new design;
FIG. 2 is a bottom plan view thereof;
FIG. 3 is a front elevation view thereof;
FIG. 4 is an enlarged rear elevation view thereof;
FIG. 5 is a side perspective view of a twin hull vessel with propeller showing a second embodiment of my new design;
FIG. 6 is another side perspective view of FIG. 5;
FIG. 7 is a bottom plan view of FIG. 5;
FIG. 8 is a front elevation view of FIG. 5;
FIG. 9 is an enlarged rear elevation view of FIG. 5.



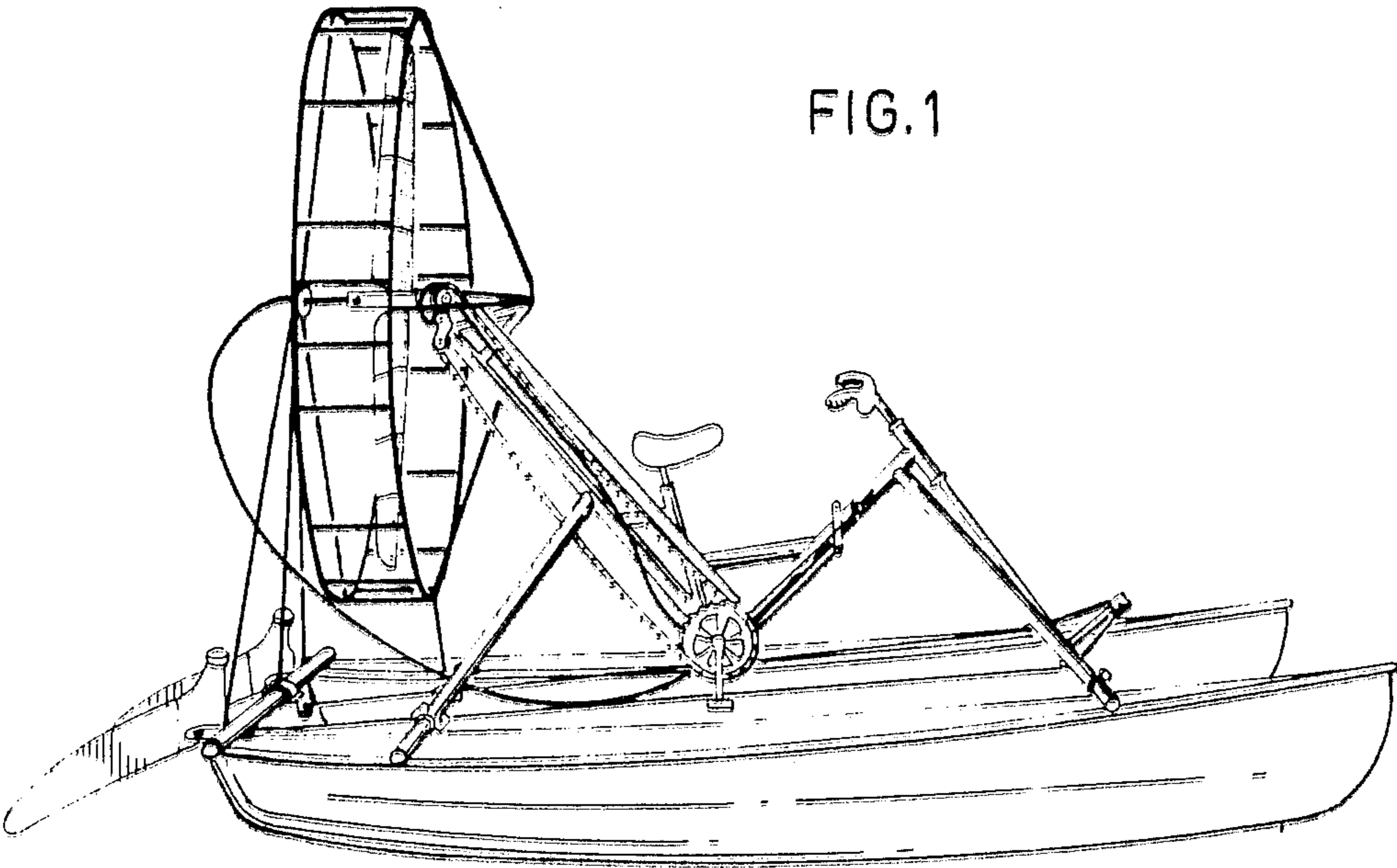
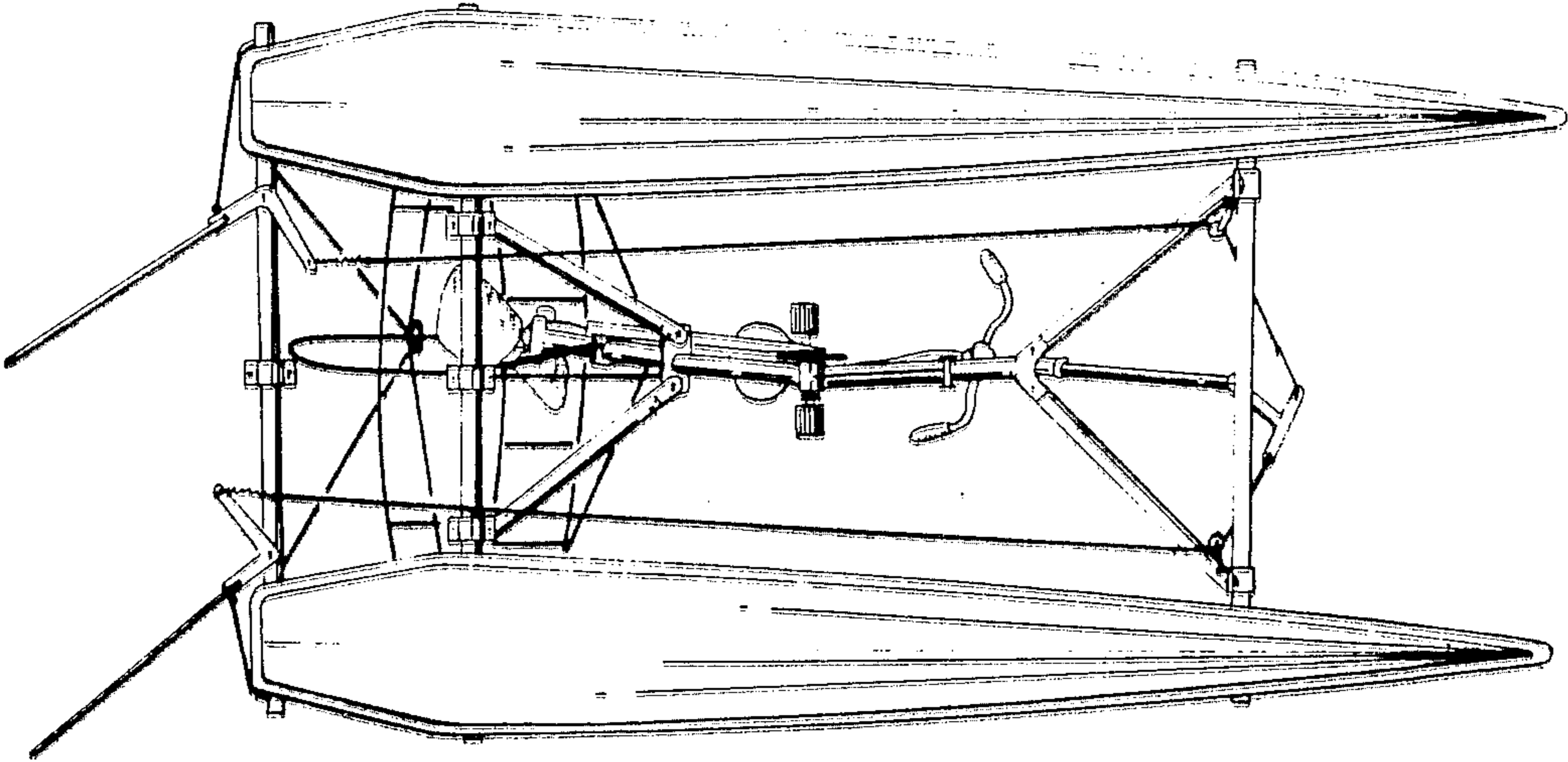


FIG. 2



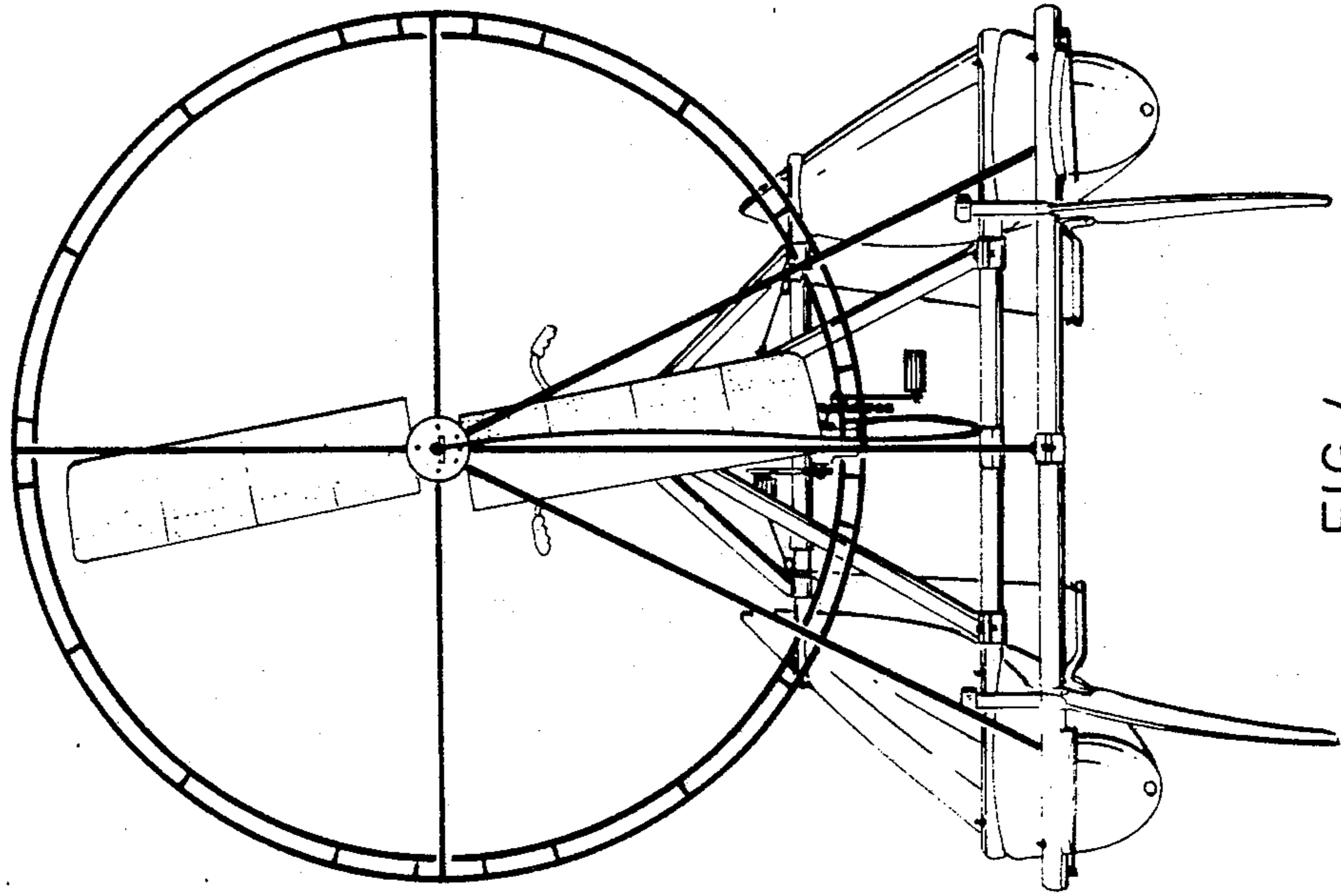


FIG. 4

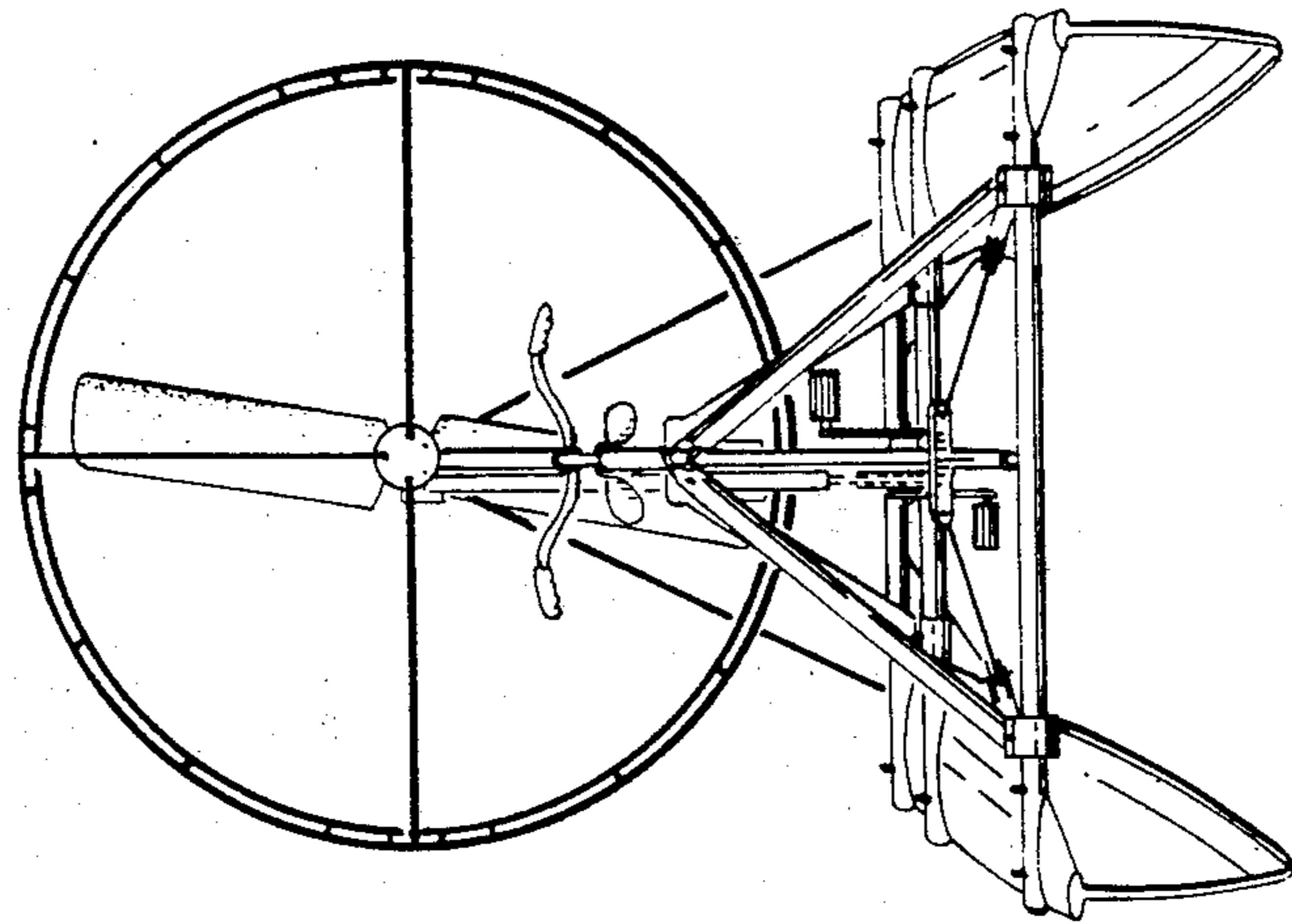


FIG. 3

FIG. 5

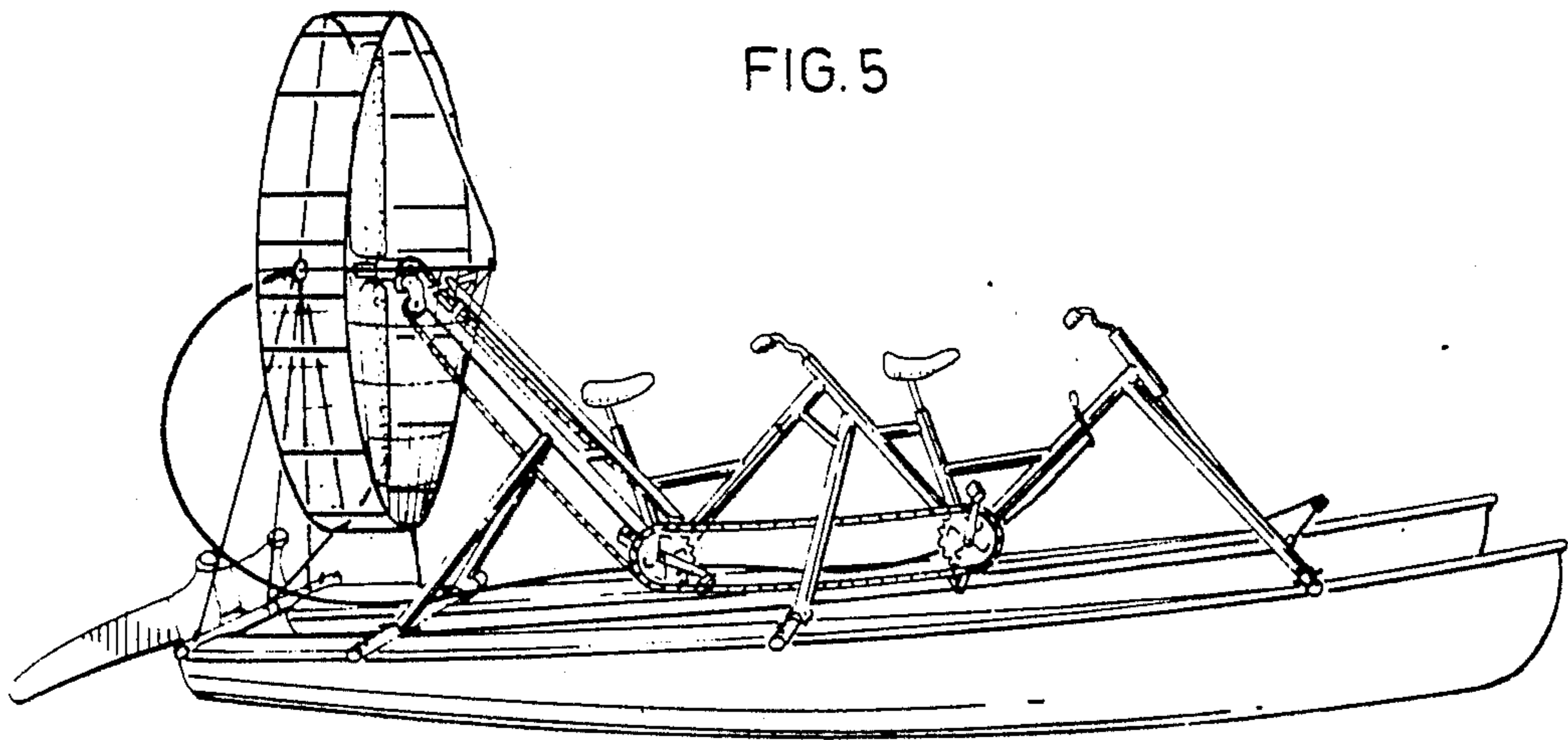


FIG. 6

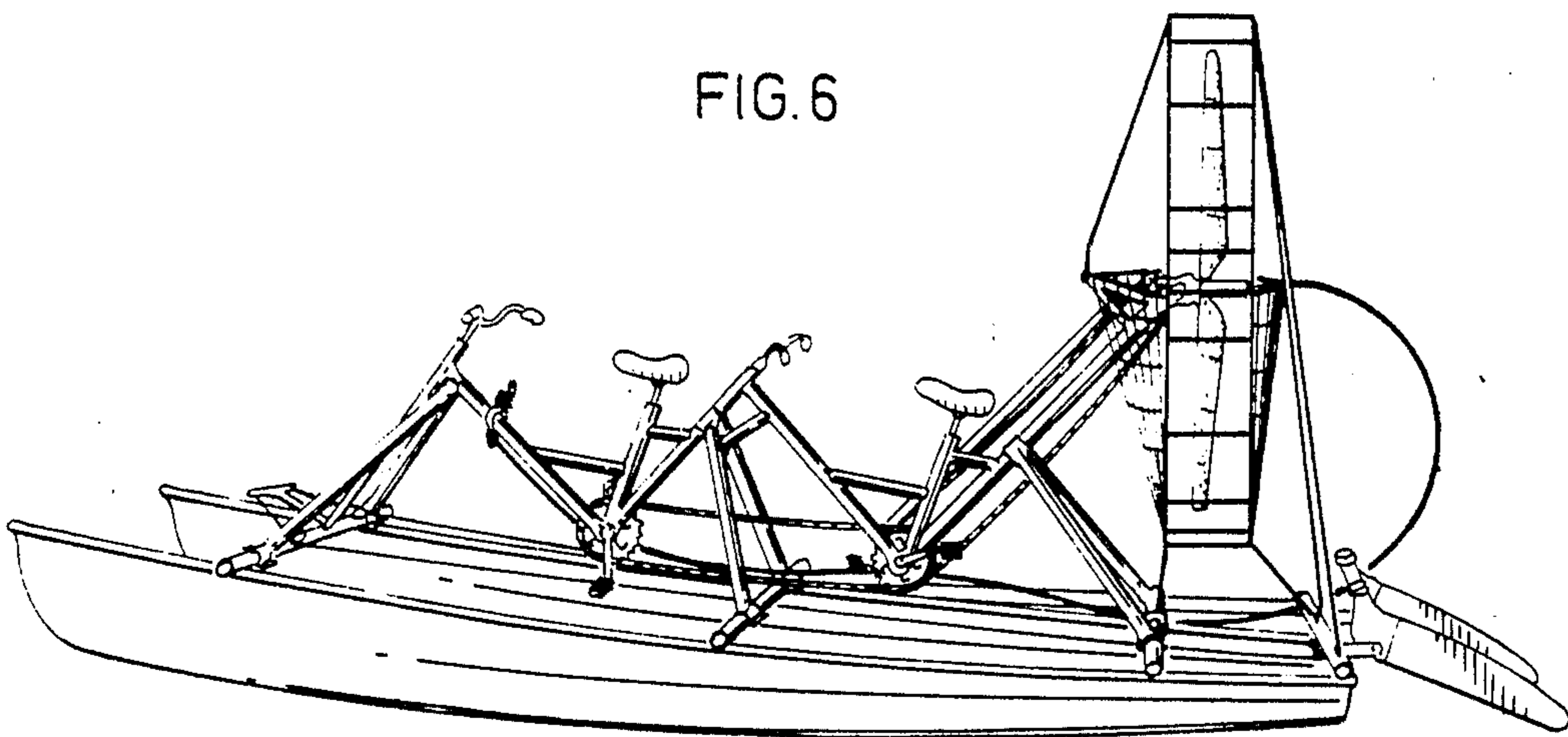


FIG. 7

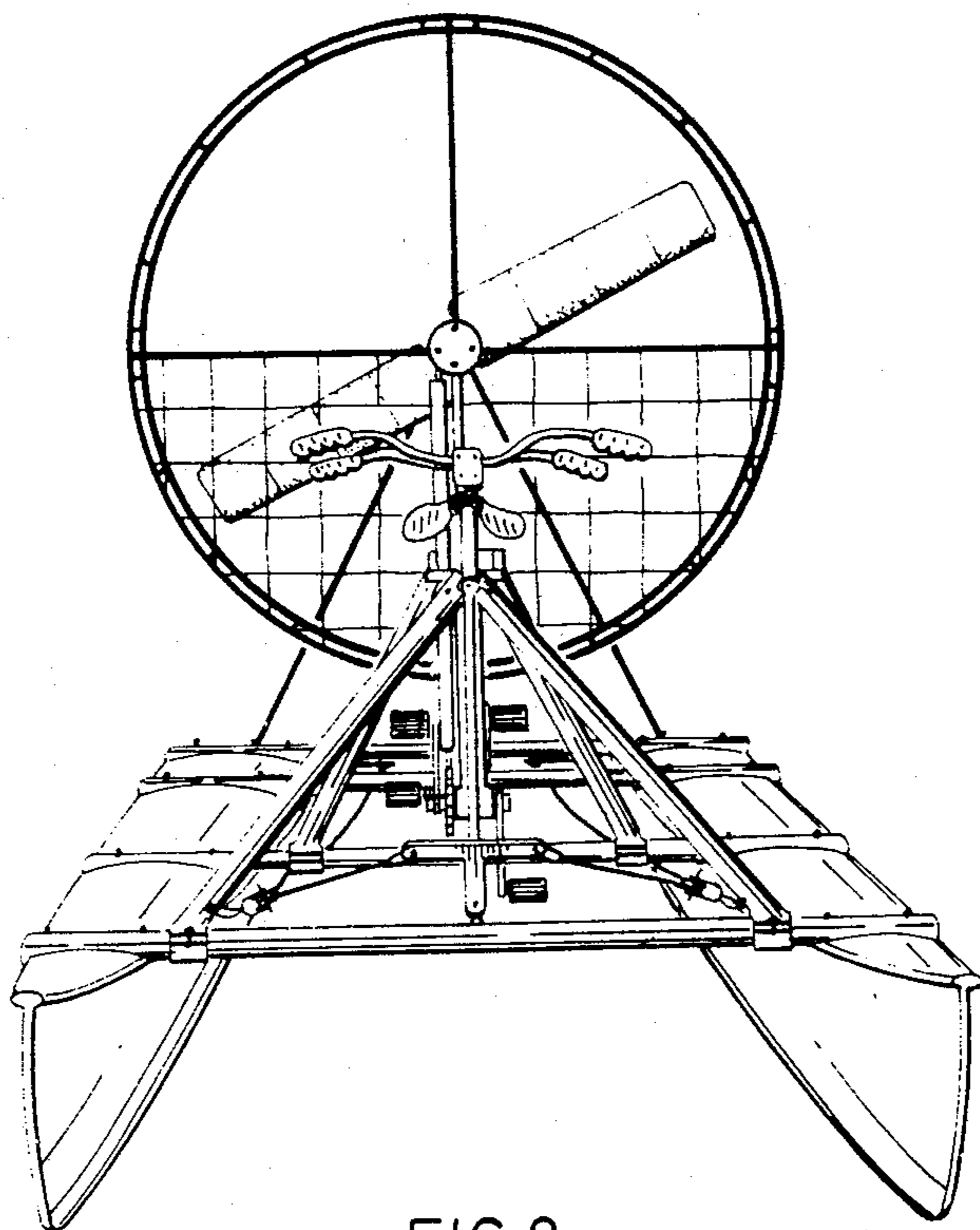
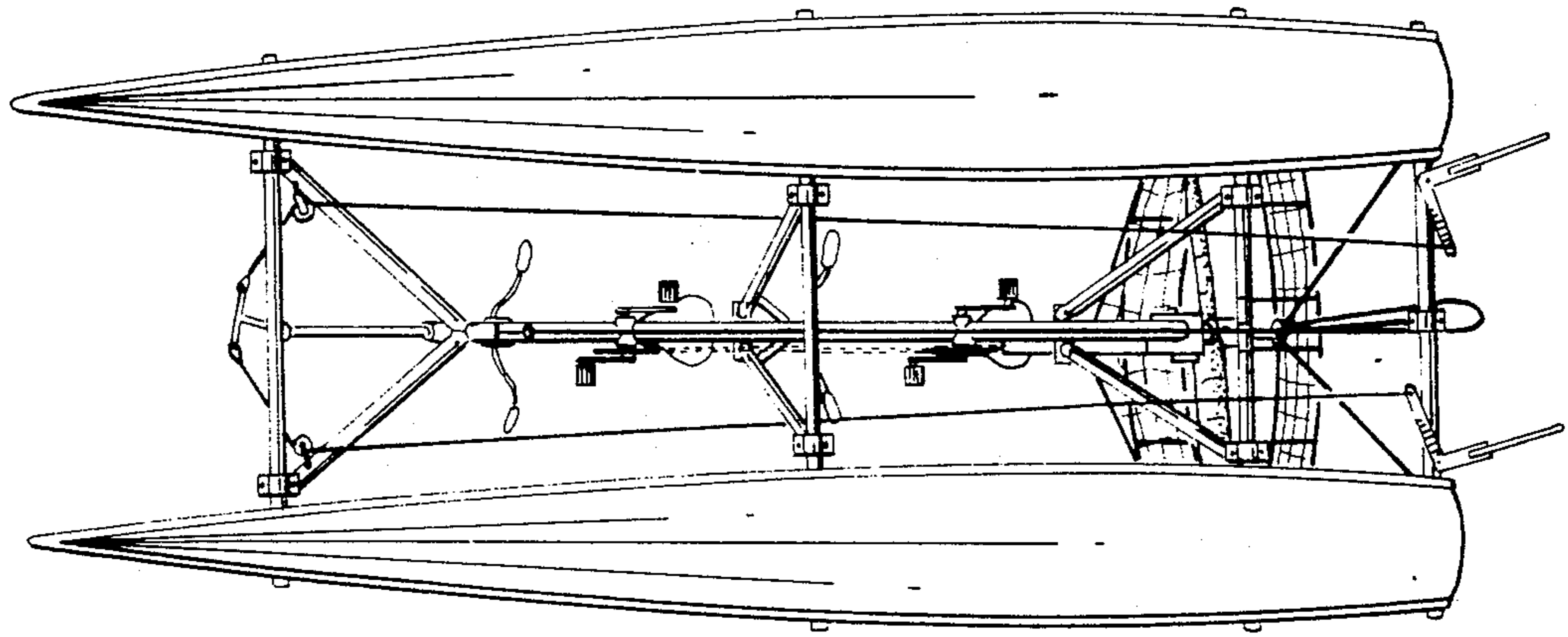


FIG. 8

FIG. 9

