

[54] **CLAMP-ON AMMETER-WATTMETER**

[76] **Inventors: Daniel Arnoux; Claude Genter; Christian Anton, all of 190 rue Championnet, 75890 Paris Cedex 18, France**

[**] **Term: 14 Years**

[21] **Appl. No.: 709,577**

[22] **Filed: Mar. 8, 1985**

[52] **U.S. Cl. D10/79**

[58] **Field of Search D10/79, 46, 75, 78, D10/80, 103; 324/72.5, 73 R, 127, 129, 133, 149, 156**

[56]

References Cited

U.S. PATENT DOCUMENTS

D. 210,282	2/1968	Schwartz	D10/79
D. 251,060	2/1979	Kuramoto	D10/79
D. 261,627	11/1981	Kuramoto	D10/79
D. 264,057	4/1982	Kuramoto	D10/79

Primary Examiner—Nelson C. Holtje

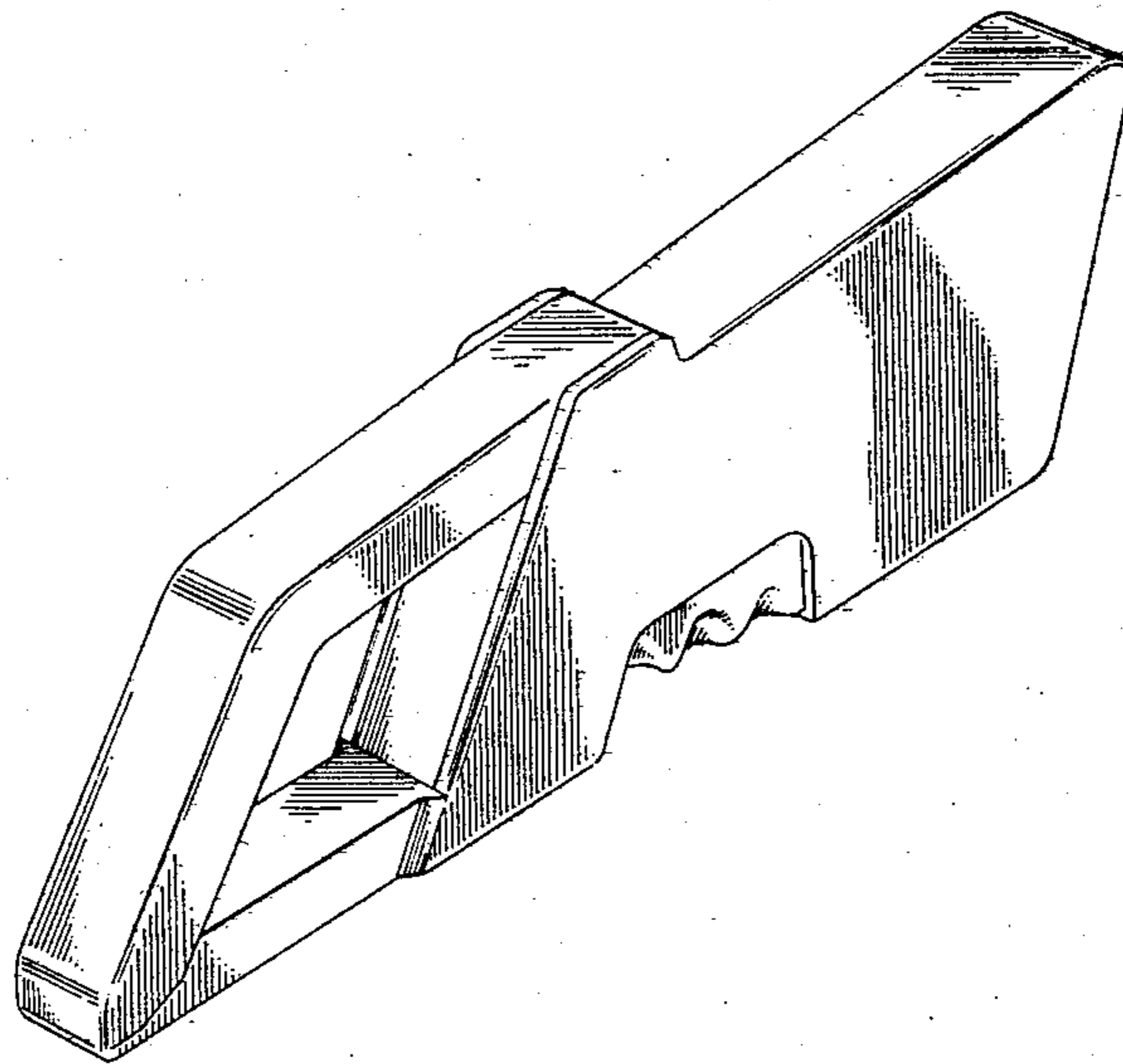
[57]

CLAIM

The ornamental design for a clamp-on ammeter-wattmeter, as shown and described.

DESCRIPTION

FIG. 1 is a front and top-right perspective view of a clamp-on ammeter-wattmeter showing our new design; FIG. 2 is a left side elevational view thereof; FIG. 3 is a top plan view thereof; FIG. 4 is a front elevational view thereof; FIG. 5 is a rear elevational view thereof; FIG. 6 is a bottom plan view thereof.



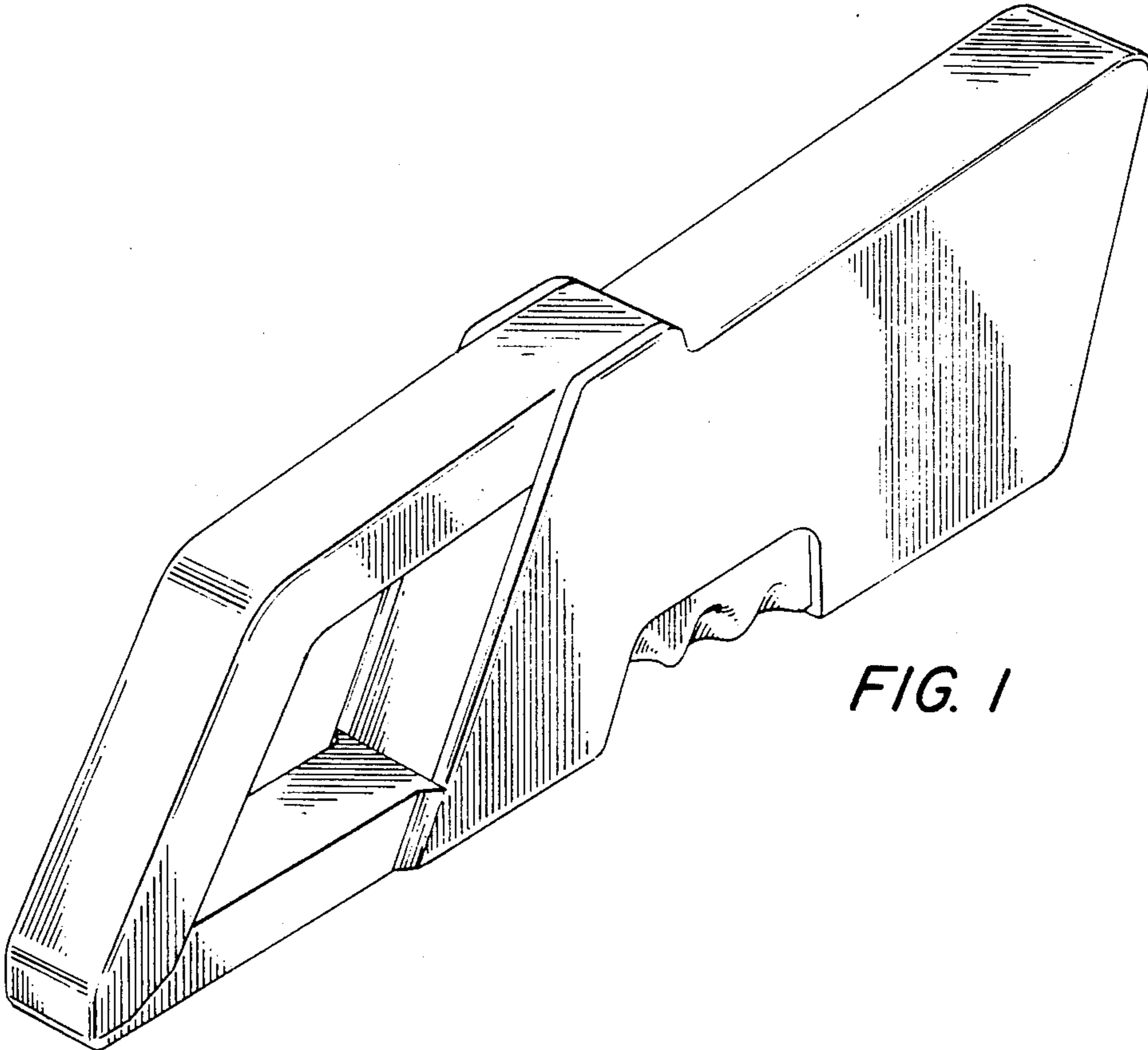


FIG. 1

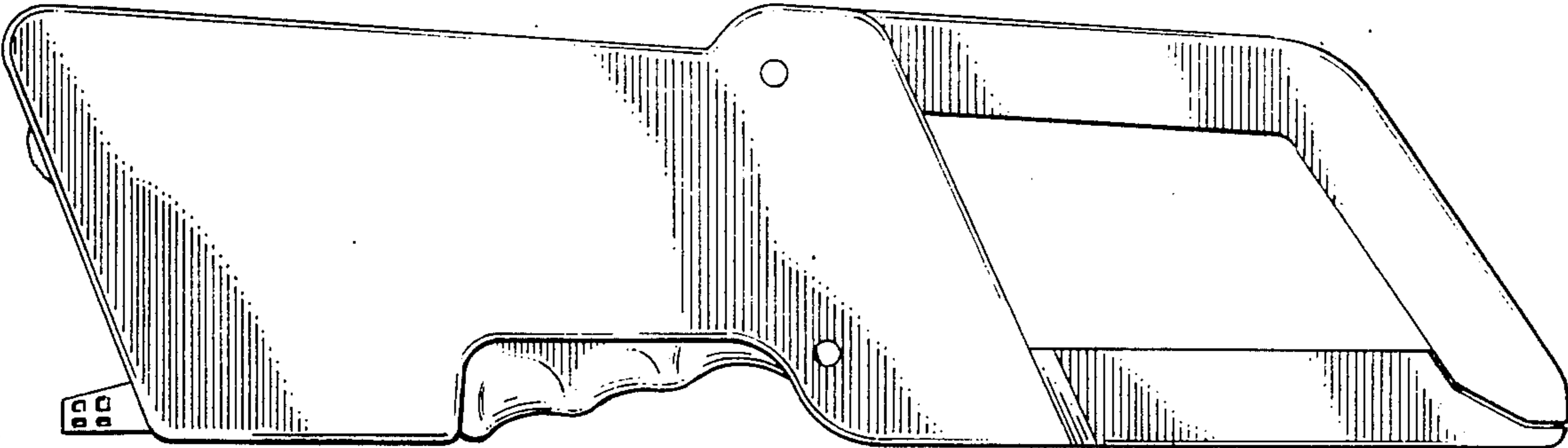


FIG. 2

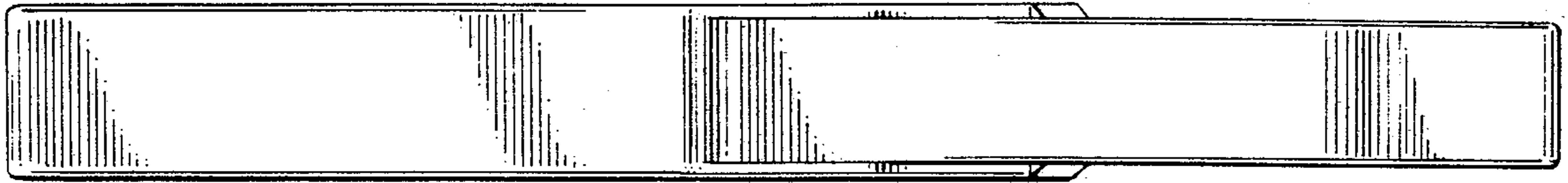


FIG. 3



FIG. 4

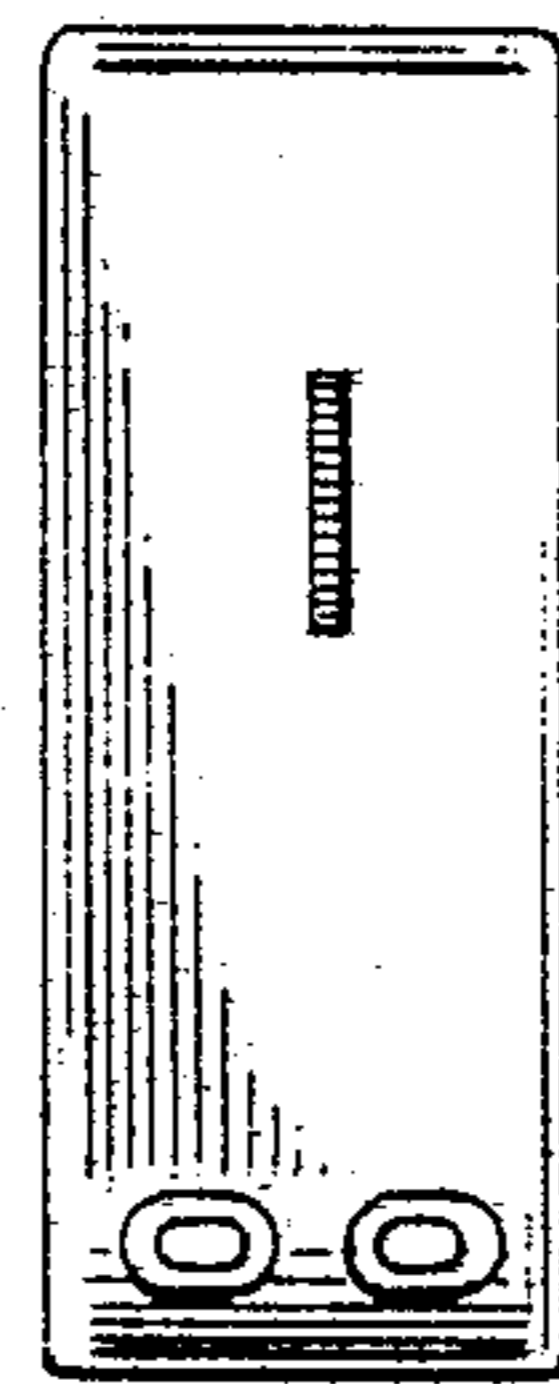


FIG. 5

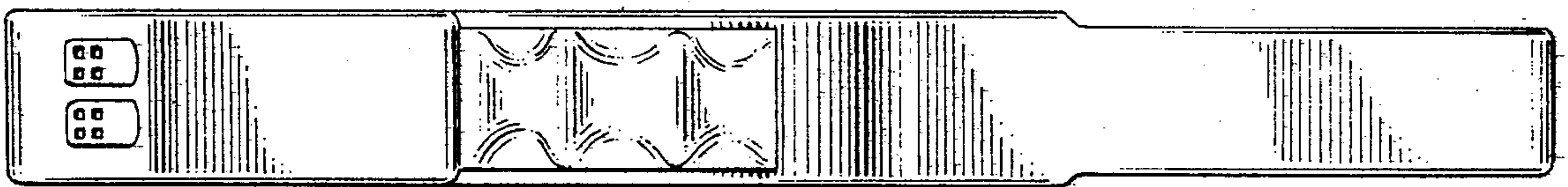


FIG. 6