

[54] POURING ATTACHMENT FOR BOTTLES

[75] Inventors: Samuel Ross, Cincinnati, Ohio; John Pardo, Yonkers, N.Y.

[73] Assignee: The Proctor & Gamble Company, Cincinnati, Ohio

[**] Term: 14 Years

[21] Appl. No.: 658,734

[22] Filed: Oct. 9, 1984

[52] U.S. Cl. D9/447; D9/440

[58] Field of Search D9/434-454; 222/109, 571, 541, 111, 570, 478

[56] References Cited

U.S. PATENT DOCUMENTS

D. 121,326	7/1940	Rothwell	D9/450
D. 133,978	10/1942	Johnson	D9/447
163,560	5/1875	Wright	222/109
D. 167,202	7/1952	Gegan	D9/447
D. 250,692	1/1979	Bond	D9/447
2,601,039	6/1952	Livingstone	222/571
2,678,142	5/1954	Creed	D9/447 X
2,763,402	9/1956	Livingstone	222/109
2,763,403	9/1956	Livingstone	222/111
2,848,142	8/1958	Livingstone	222/111
3,198,393	8/1965	Kitterman	222/571 X
3,356,266	12/1967	Pinter, Jr.	D9/447 X

3,369,710	2/1968	Lucas	222/109
3,434,637	3/1969	Marcel	222/570
3,833,150	9/1974	Visser-Patings	222/109
4,078,700	3/1978	Hidding	222/109
4,128,189	12/1978	Baxter	222/109
4,298,145	11/1981	Iida	222/478
4,550,862	11/1985	Barker et al.	222/571 X

OTHER PUBLICATIONS

U.S. Ser. No. 545,579, filed 10/28/83 to Barker et al.

Primary Examiner—Bernard Ansher

Assistant Examiner—Linda Titolo

Attorney, Agent, or Firm—J. Wesley Blumenshine; John M. Pollaro; Richard C. Witte

[57] CLAIM

The ornamental design for a pouring attachment for bottles, as shown and described.

DESCRIPTION

FIG. 1 is a top plan view of a pouring attachment for bottles showing our new design;
 FIG. 2 is a front elevational view thereof;
 FIG. 3 is a right side elevational view thereof, the left side being a mirror image thereof;
 FIG. 4 is a rear elevational view thereof;
 FIG. 5 is a bottom plan view thereof; and
 FIG. 6 is a cross-sectional view thereof, taken on line 6—6 of FIG. 1.

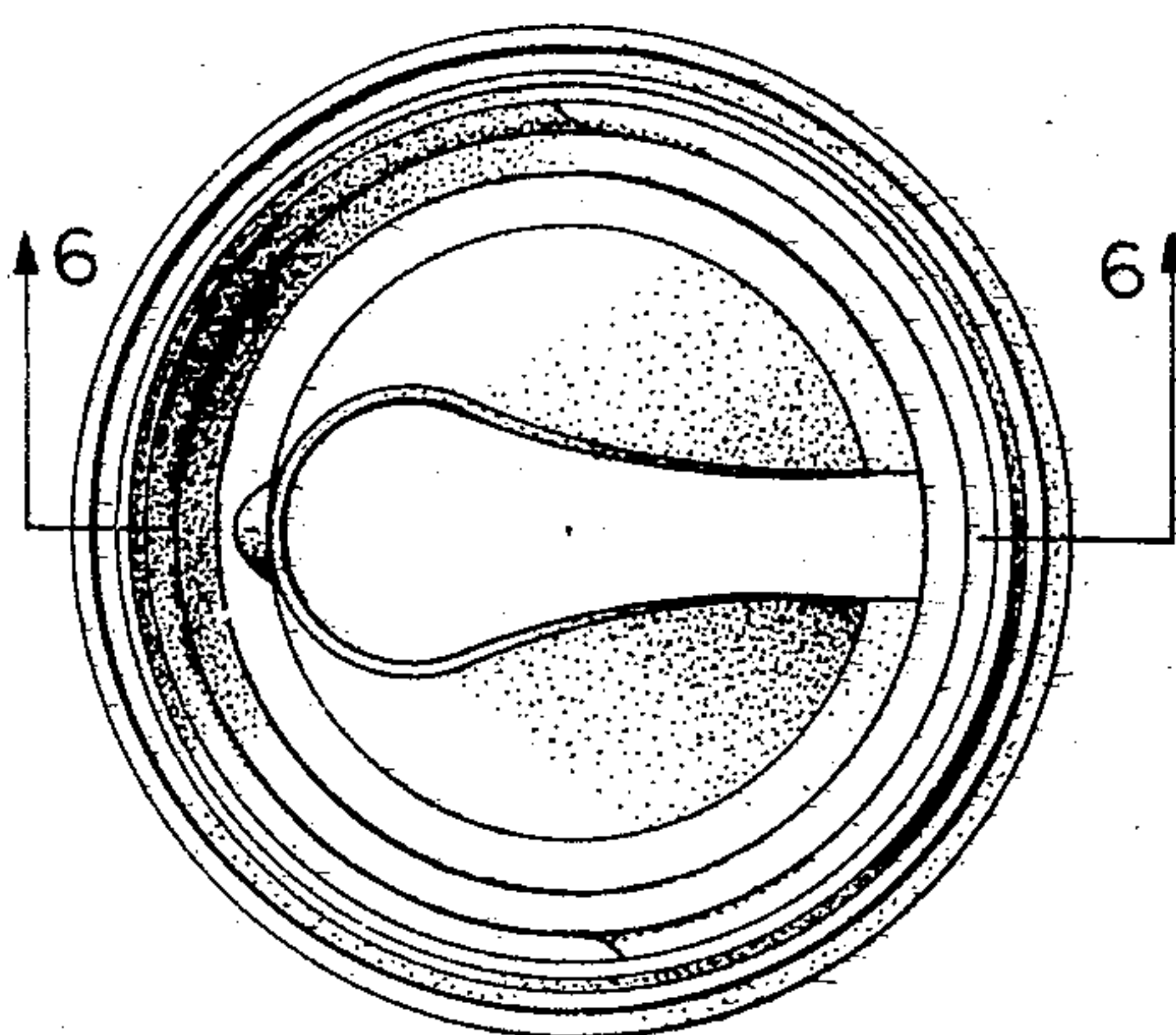


Fig. 1

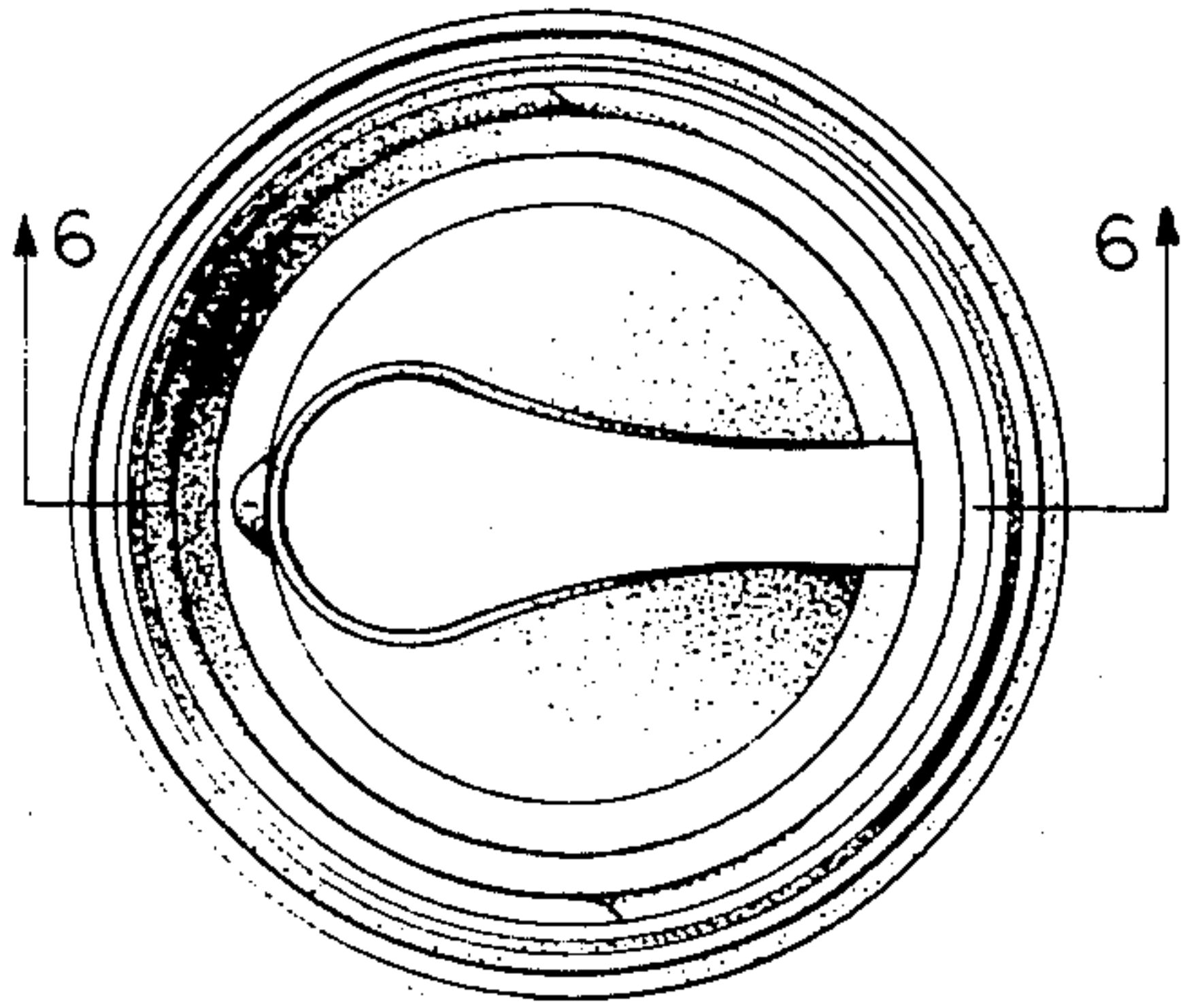


Fig. 2

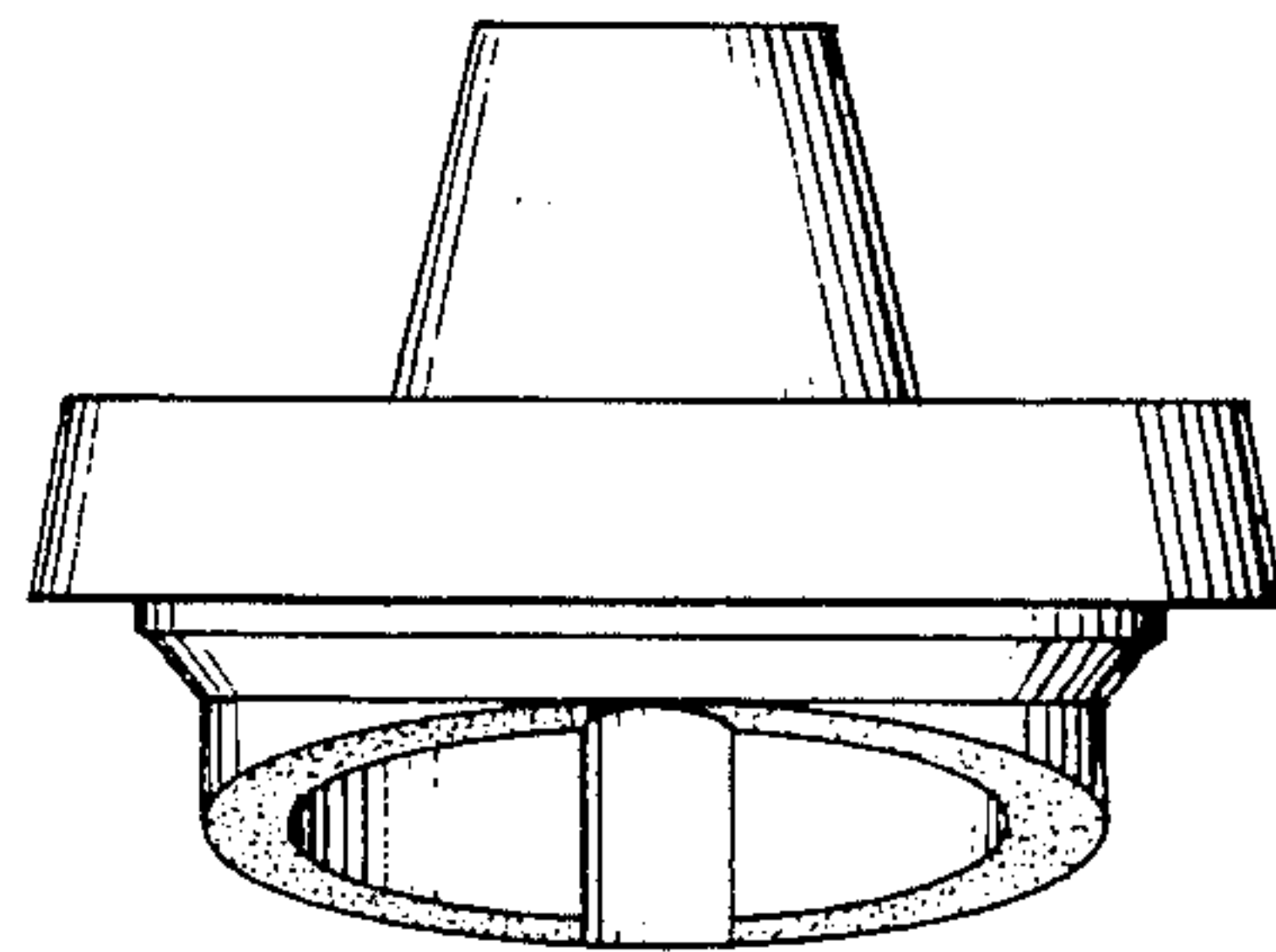


Fig. 3

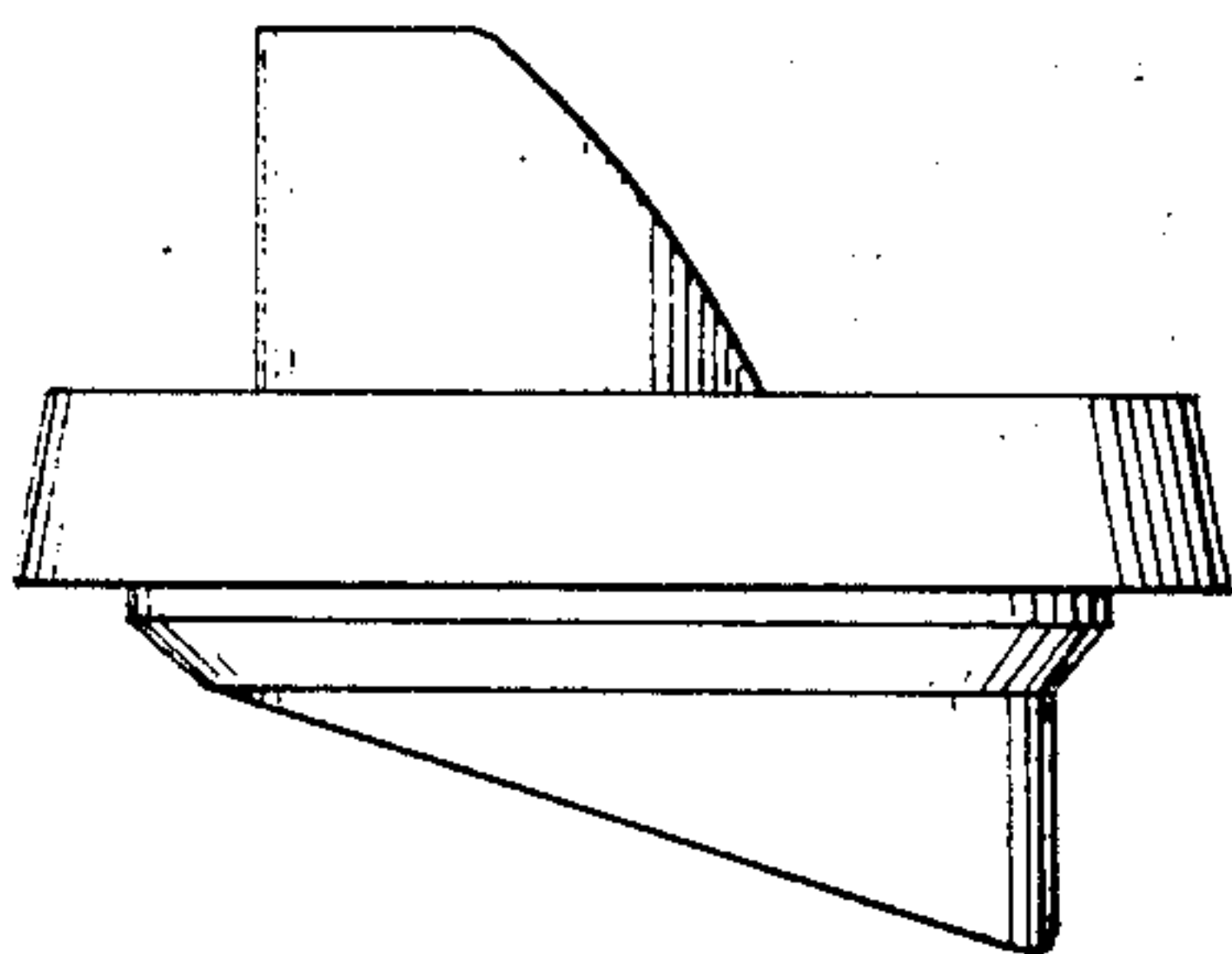


Fig. 4

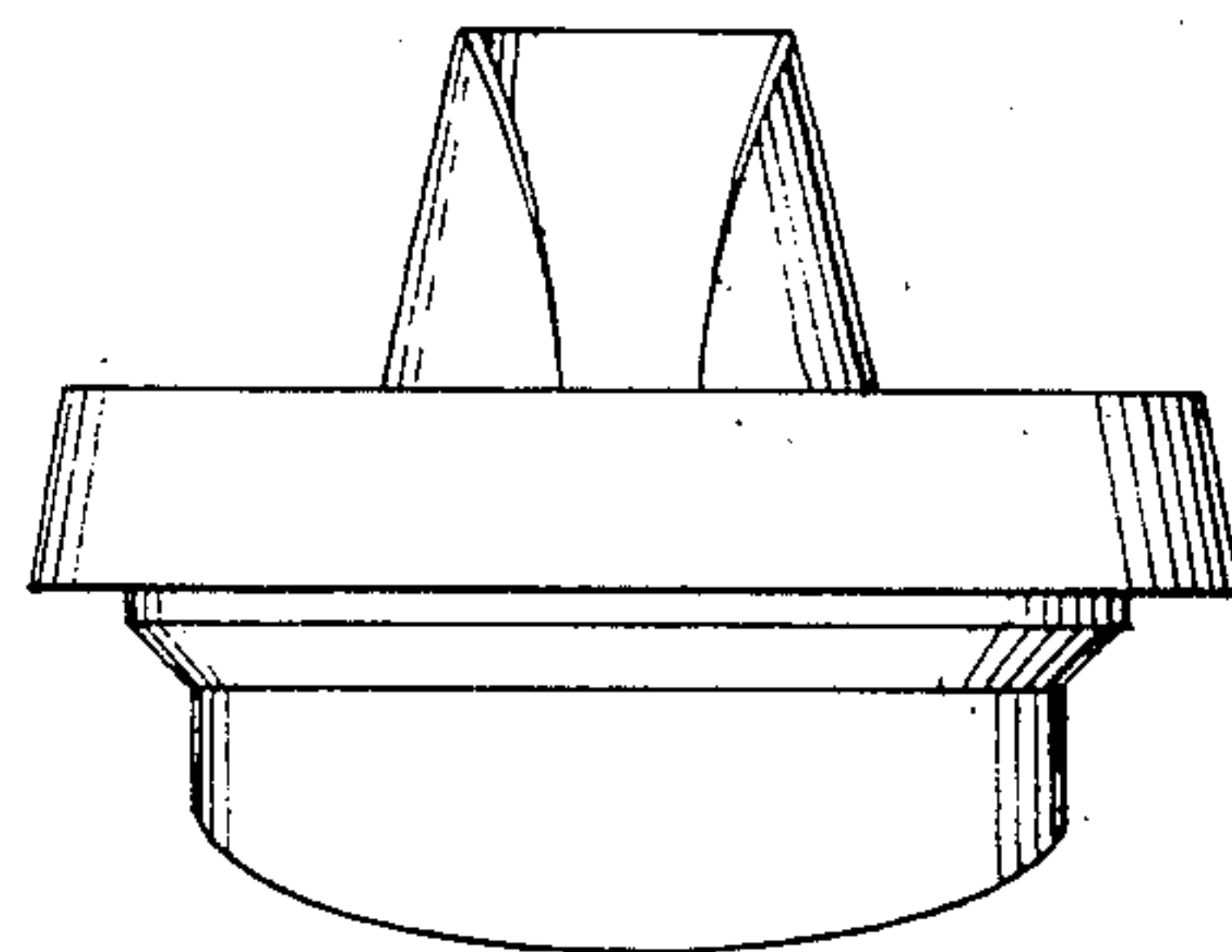


Fig. 5

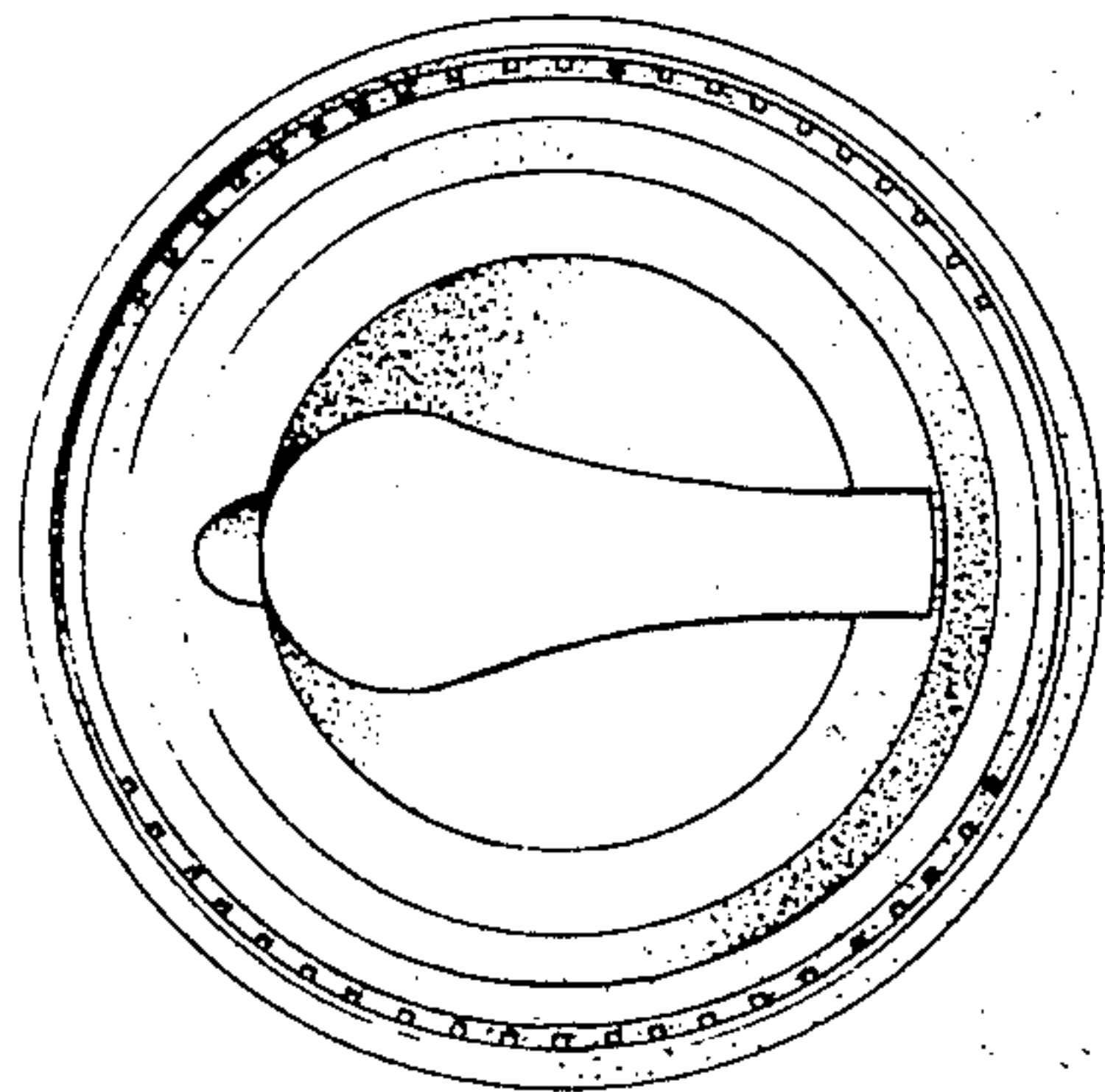


Fig. 6

