

[54] PAIR OF EXTENDER JAWS FOR A VISE

[76] Inventor: Arthur Wolff, 210 Laduemont Dr., St. Louis, Mo. 63141

[**] Term: 14 Years

[21] Appl. No.: 644,859

[22] Filed: Aug. 27, 1984

[52] U.S. Cl. D8/74

[58] Field of Search D8/70, 71-74; D15/140; 269/257, 258, 268, 262, 271-274, 275, 277-279, 282-284

[56] References Cited

U.S. PATENT DOCUMENTS

800,685	10/1905	Scoggins	269/283	X
2,205,743	6/1940	Breth	269/274	X
2,741,145	4/1956	Bahorik	269/282	X
2,796,787	6/1957	Aske	269/279	X
3,173,676	3/1965	Chenette et al.	269/268	X
4,422,629	12/1983	Carlson	269/282	

Primary Examiner—Susan J. Lucas

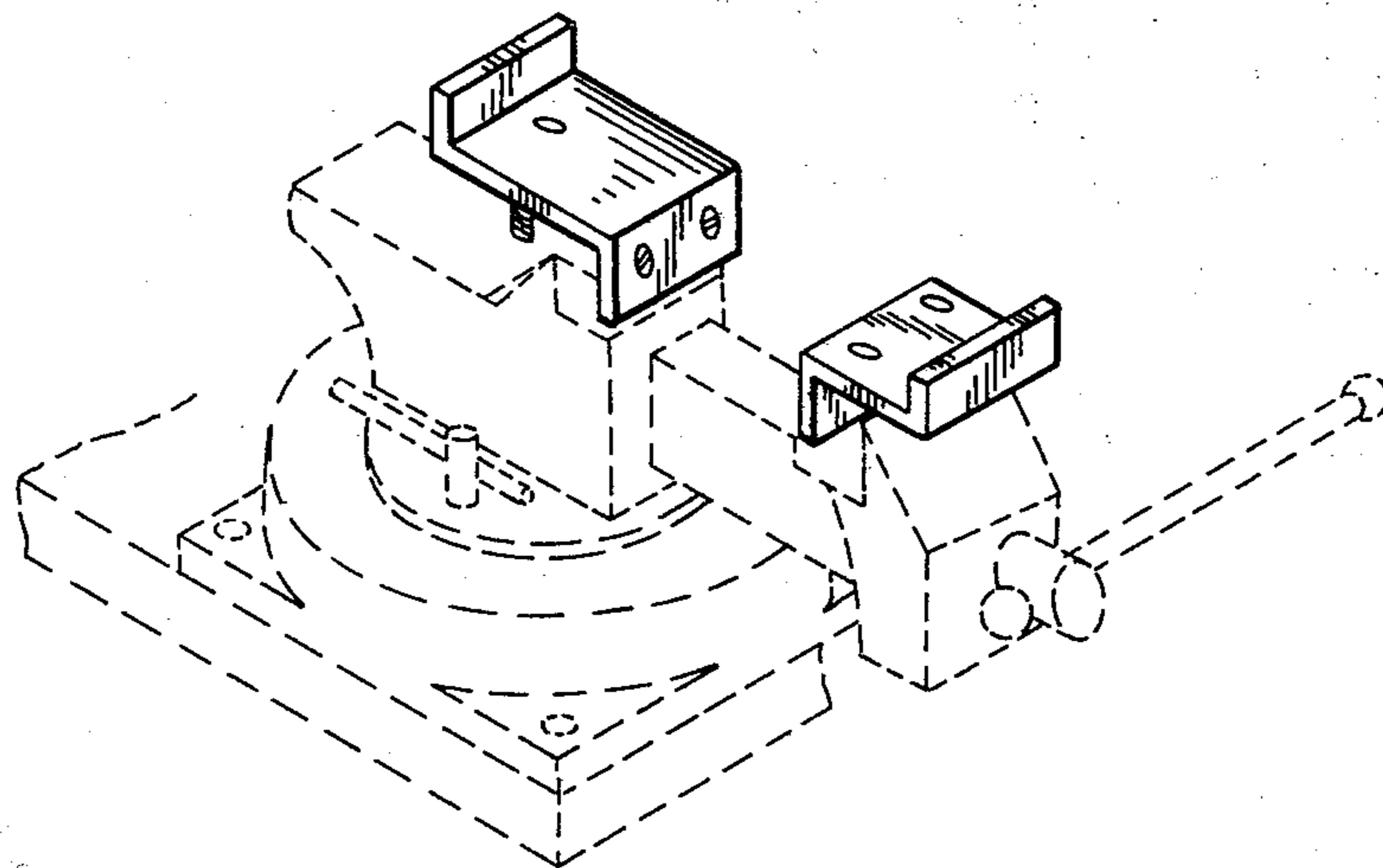
Assistant Examiner—C. E. Heflin
Attorney, Agent, or Firm—Norman B. Rainer

[57] CLAIM

The ornamental design for a pair of extender jaws for a vise, substantially as shown and described.

DESCRIPTION

FIG. 1 is a perspective view of the pair of extender jaws for a vise showing my new design with the vise being shown in broken lines for illustrative purposes only; FIG. 2 is a top plan view thereof with the bottom view being substantially similar; FIG. 3 is a side elevational view thereof with the opposite side being substantially similar; FIG. 4 is an end elevational view thereof showing the outer surface of the jaw shown on the right side of the vise in FIG. 1; The inner surface of the right jaw is substantially the same as the inner surface of the left jaw and the outer surface of the left jaw is substantially similar to the outer surface of the right jaw except for the placement of the stud bolts.



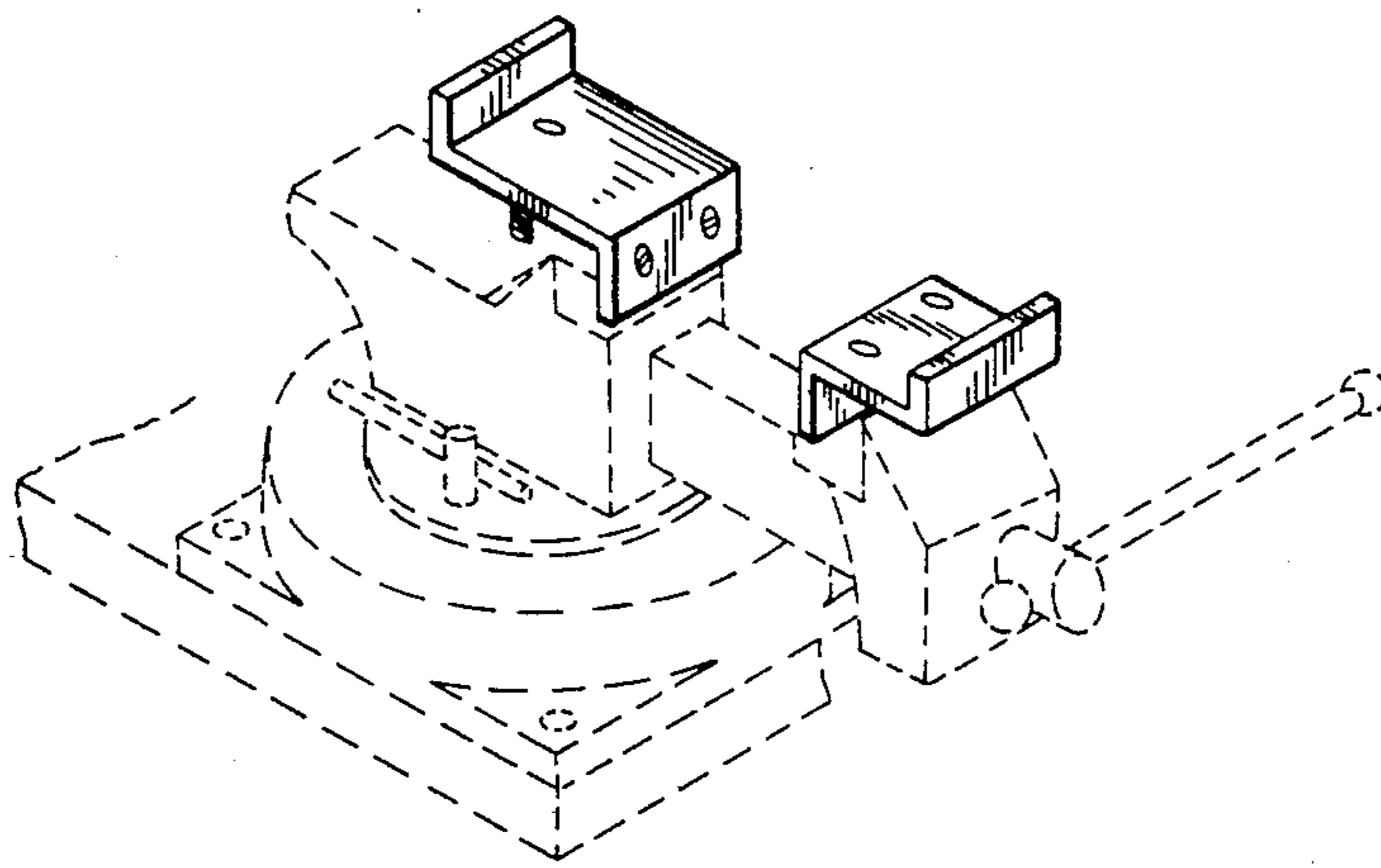


FIG. 1

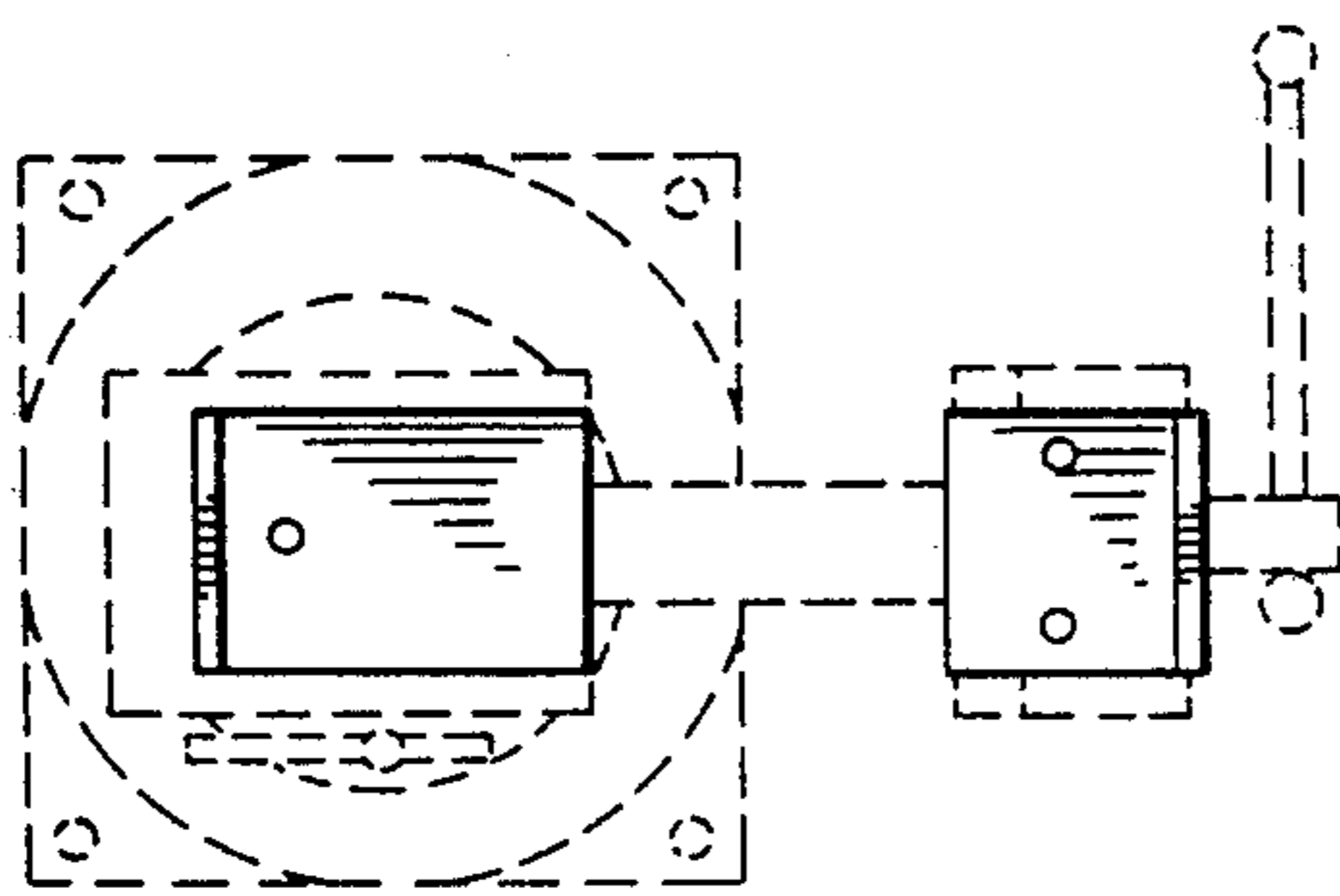


FIG. 2

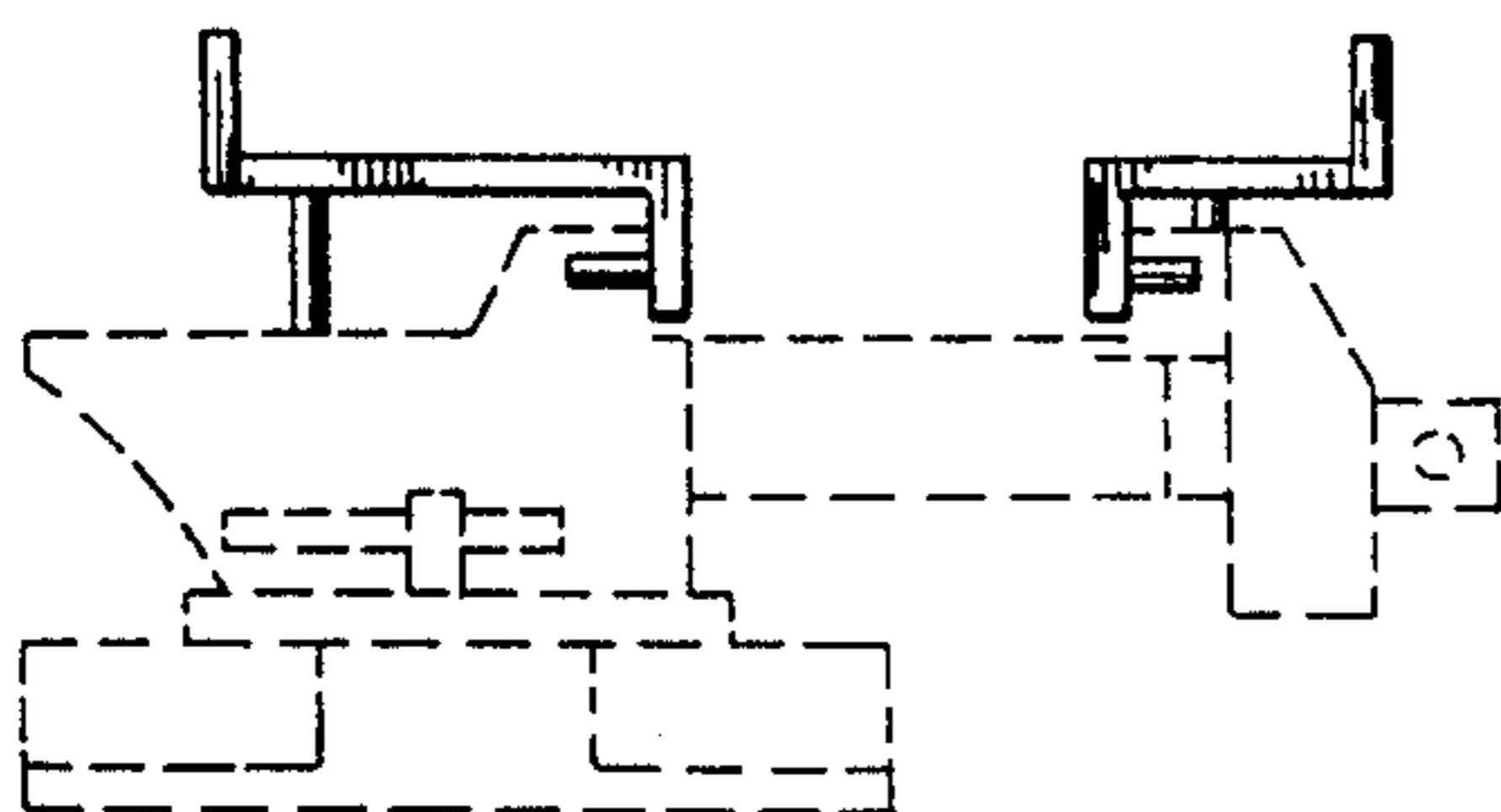


FIG. 3

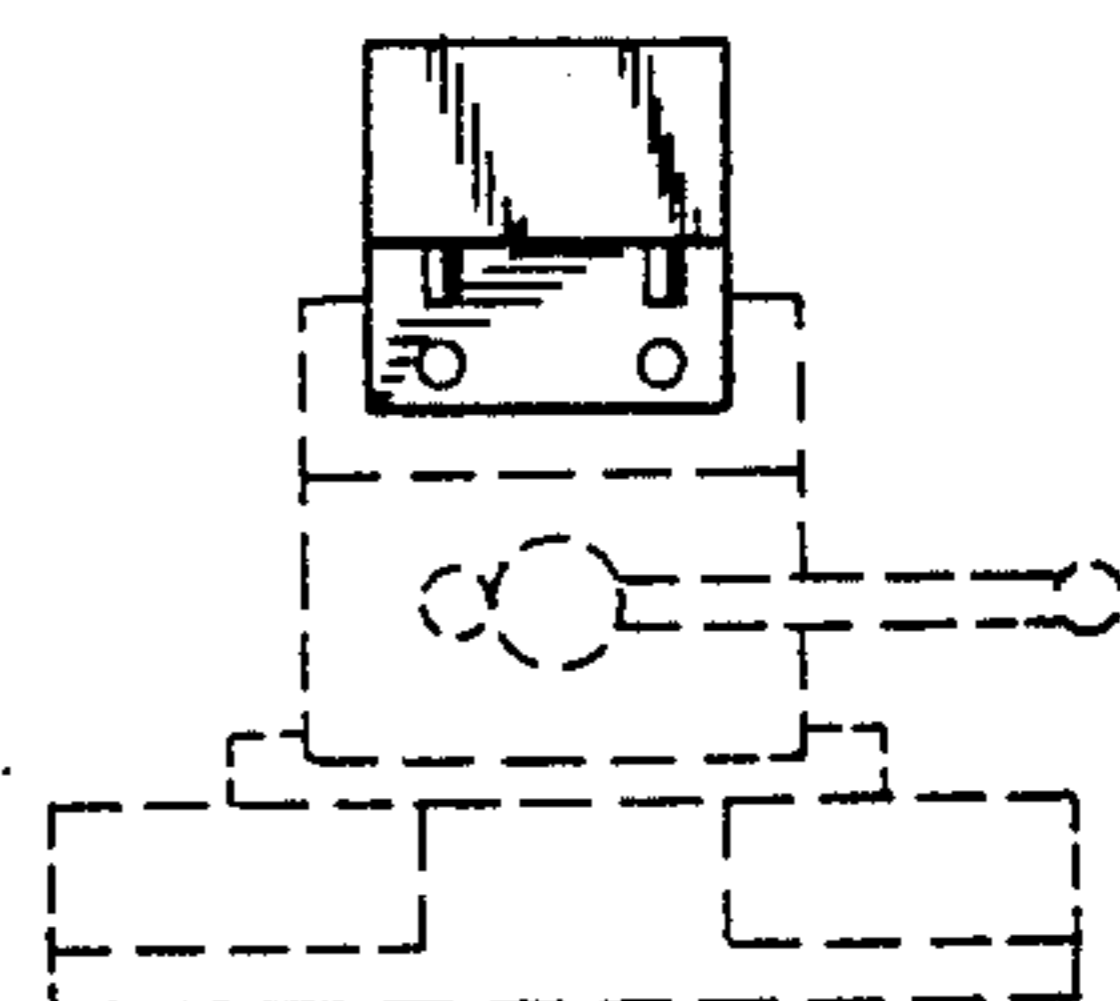


FIG. 4