

[54] EDGING UNIT FOR GARDEN LANDSCAPING

[76] Inventor: William J. Young, Rte. 10, Box 230, McMinnville, Tenn. 37110

[**] Term: 14 Years

[21] Appl. No.: 742,692

[22] Filed: Jun. 7, 1985

[52] U.S. Cl. D8/1; D25/73

[58] Field of Search D8/1; D25/70, 38, 73; D6/403-405, 455, 457, 461; 428/15; 47/23-26, 30, 32-33, 28 R; 52/102-103, 292, DIG. 10

[56] References Cited

U.S. PATENT DOCUMENTS

2,678,592	5/1954	Wiedman	404/7
3,087,279	4/1963	Thompson	404/7 X
3,396,488	8/1968	Ries	47/33
3,545,128	12/1970	LaFontaine et al.	D8/1 X

4,268,992 5/1981 Scharf, Sr. 47/30 X

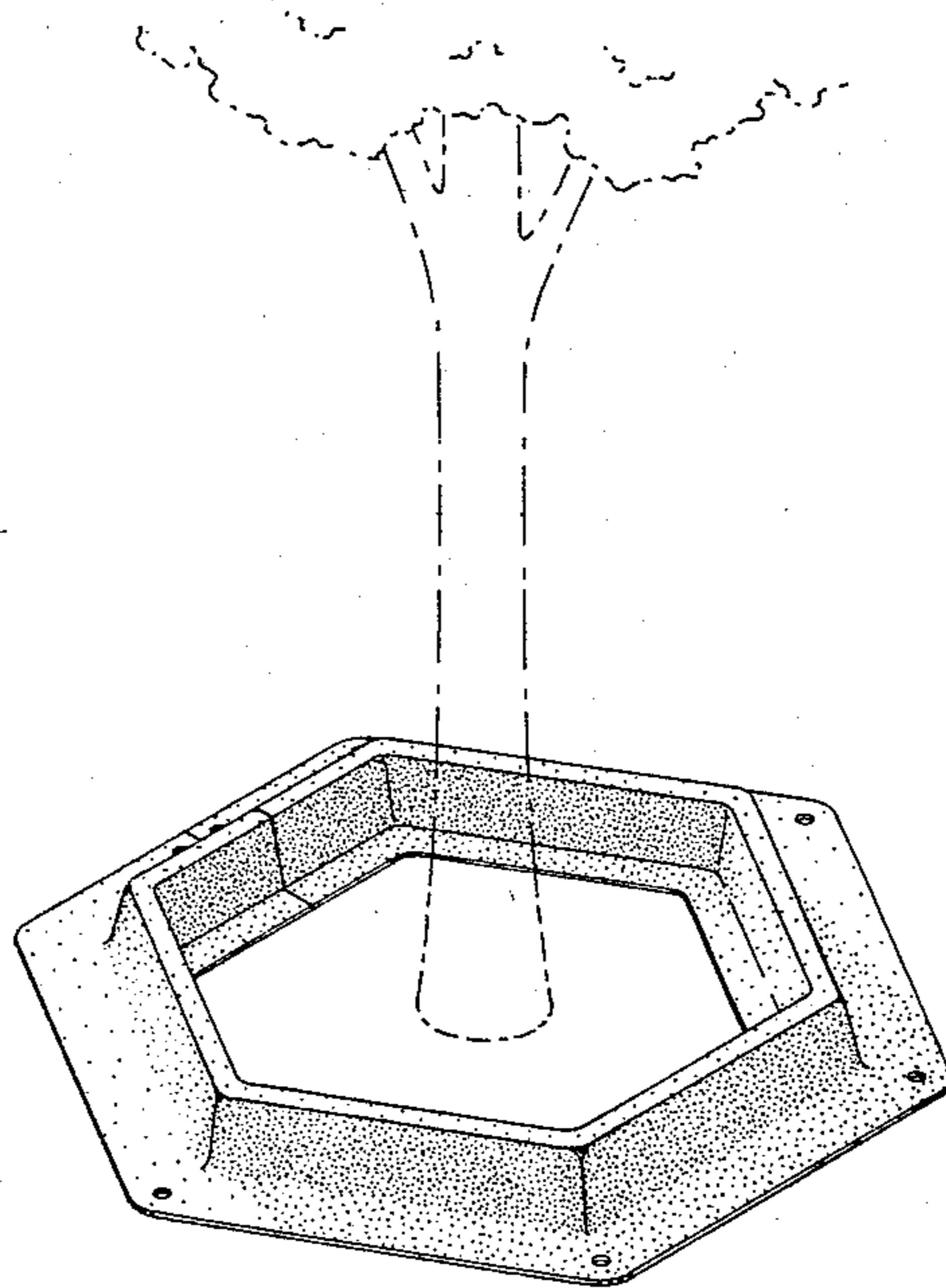
Primary Examiner—Wallace R. Burke
Assistant Examiner—Brian N. Vinson
Attorney, Agent, or Firm—Pitts and Brittian

[57] CLAIM

The ornamental design for an edging unit for garden landscaping, as shown and described.

DESCRIPTION

FIG. 1 is a top perspective view of an edging unit for garden landscaping showing my new design, the broken-line showing of the tree being for illustrative purposes only and forming no part of the claimed design; FIG. 2 is a top plan view thereof; FIG. 3 is a bottom plan view thereof; FIG. 4 is a rear elevational view thereof; FIG. 5 is a front elevational view thereof; and FIG. 6 is a side elevational view thereof, the side opposite being identical in appearance.



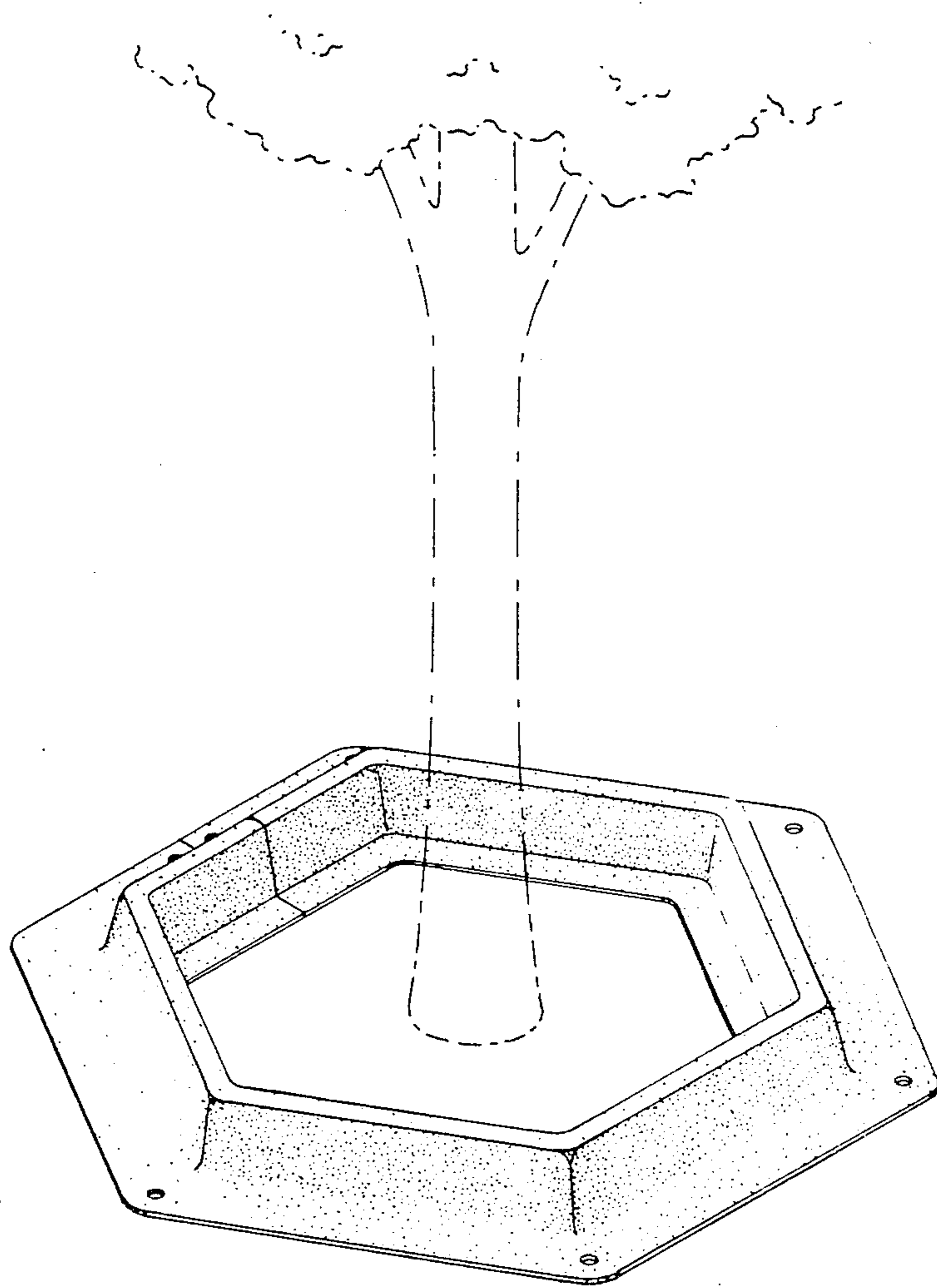


FIG. 1

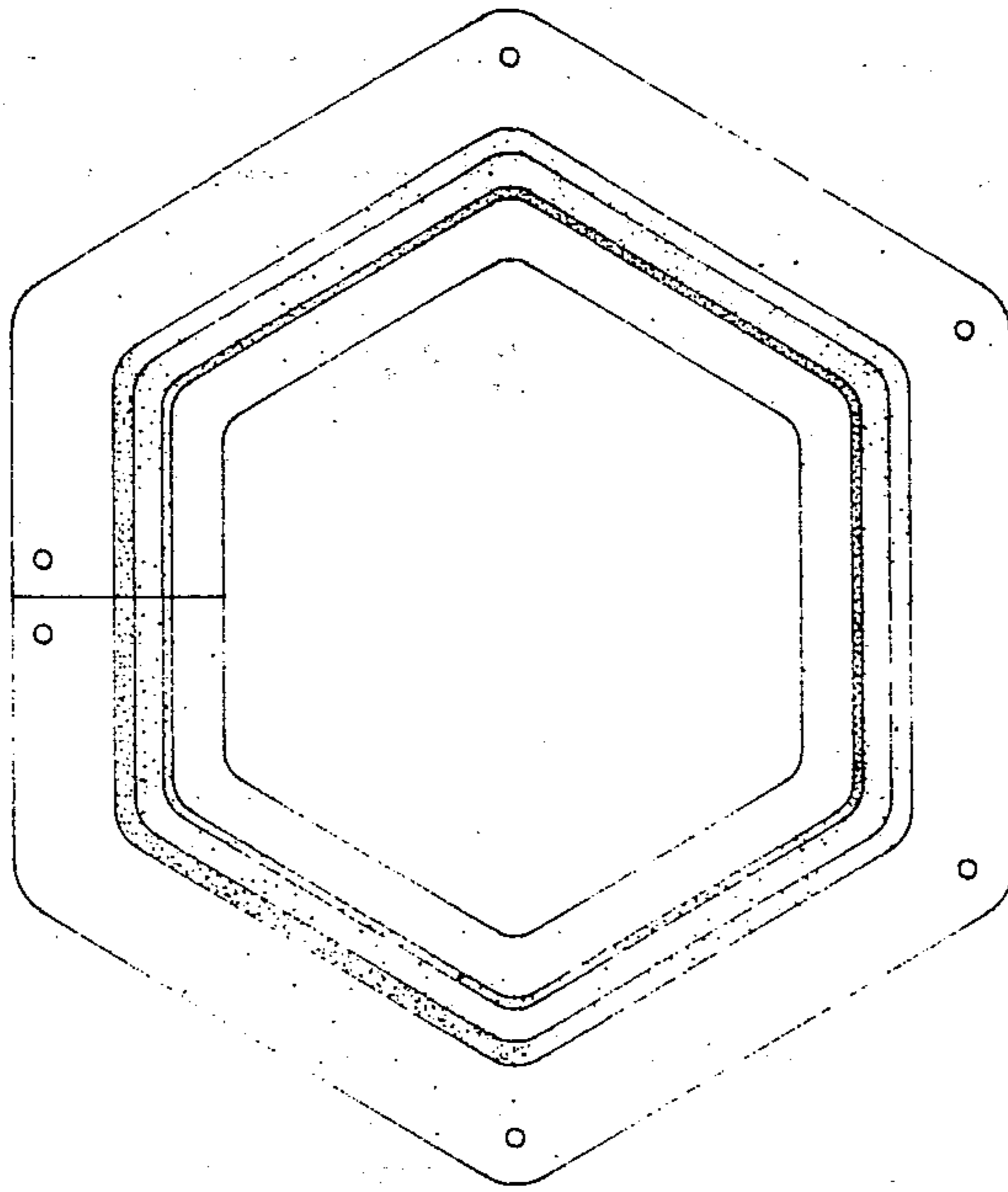


FIG. 3

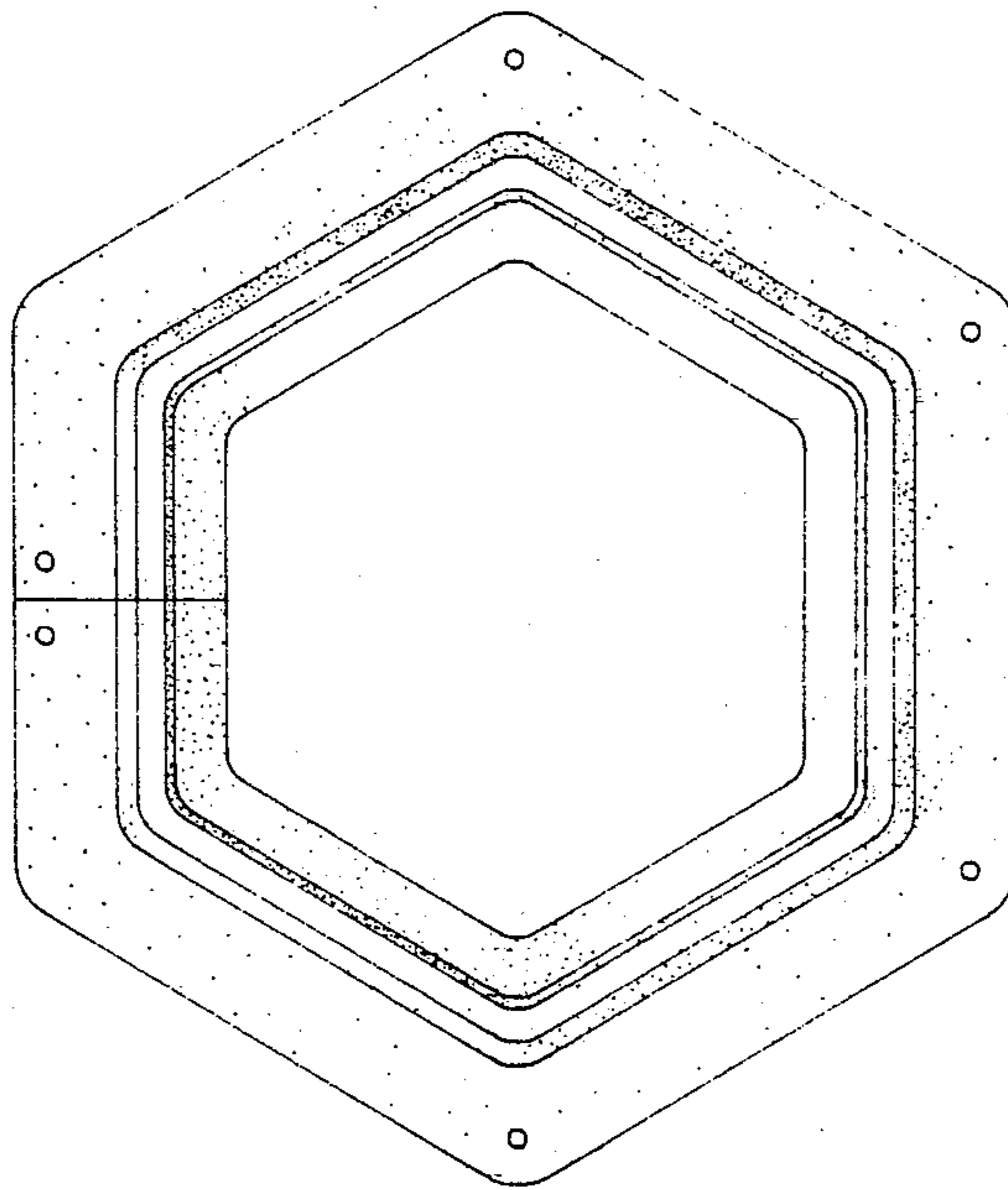


FIG. 2

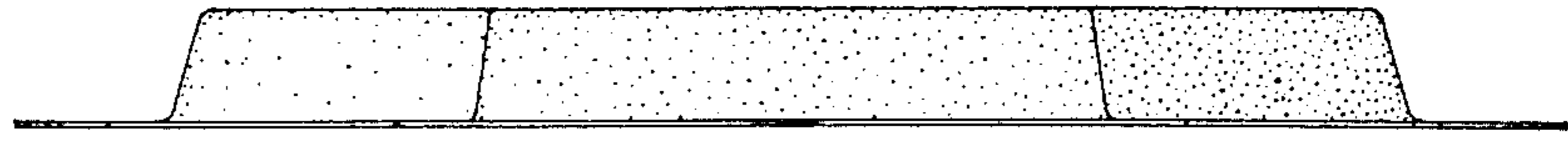


FIG. 4

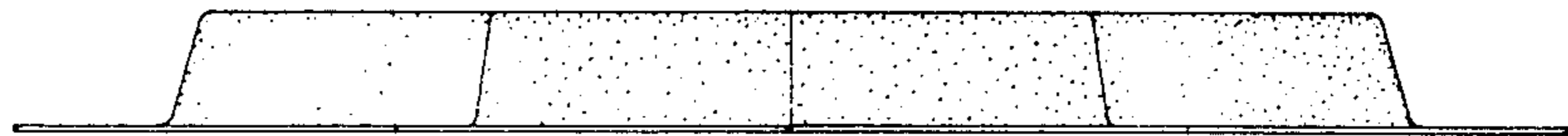


FIG. 5



FIG. 6