

[54] **FRY PAN OR SIMILAR ARTICLE**

[75] **Inventor: Chang H. Oh, Kyung Ki Do, Rep. of Korea**

[73] **Assignee: J&L Importers, Inc., King of Prussia, Pa.**

[**] **Term: 14 Years**

[21] **Appl. No.: 668,337**

[22] **Filed: Nov. 5, 1984**

[30] **Foreign Application Priority Data**

Jun. 7, 1984 [KR] Rep. of Korea 6564

[52] **U.S. Cl. D7/354**

[58] **Field of Search D7/360, 18, 354, 355, D7/409; 99/425, DIG. 15; 220/94 R, 74; 206/519; 229/2.5**

[56] **References Cited**

U.S. PATENT DOCUMENTS

120,233	10/1871	Beardsley	126/246
D. 155,854	11/1949	Weglage	99/425
213,904	4/1879	Jarvis	126/246
230,199	7/1880	Sawyer	126/246
235,192	12/1880	Babbitt	126/246
D. 271,557	11/1983	Schwarzli	D7/409 X
693,144	2/1902	Monath	219/462 X
1,025,843	5/1912	Stanley	219/530 X
1,120,987	12/1914	Vogel	219/462
1,204,429	11/1916	Griswold	99/425
1,442,910	1/1923	Steinhardt	219/439 X
1,478,919	12/1923	Sacerdote et al.	219/462 X
1,797,102	3/1931	Rossi	219/462 X
1,813,810	7/1931	McDonald et al.	206/519
1,924,409	8/1933	Manson	219/530 X
1,940,172	12/1933	Hybinette	219/386 X
2,007,111	7/1935	Morgan	219/462 X
2,362,757	11/1944	Lang	99/425
2,391,346	12/1945	Punte	220/74 X

2,456,202	12/1948	Lee	219/530
2,719,413	10/1955	Panzer	126/246
2,932,718	4/1960	Marsters	219/530 X
3,126,882	3/1964	Hilfiker	219/540
3,307,603	3/1967	Swett	D7/18 X
3,357,625	12/1967	Malmgren	229/2.5
3,734,077	5/1973	Murdough et al.	126/246
3,785,274	1/1974	Yamamoto	99/425
3,875,370	4/1975	Williams	219/386
4,113,225	9/1978	Corse	D7/354 X
4,399,351	8/1983	Koff	219/462 X

FOREIGN PATENT DOCUMENTS

6834	5/1919	Fed. Rep. of Germany	126/390
273477	4/1914	Fed. Rep. of Germany	126/390
556817	7/1932	Fed. Rep. of Germany	126/390
946464	6/1949	France	126/390
53957	1/1943	Netherlands	126/390
153782	6/1932	Switzerland	126/390
232339	10/1944	Switzerland	126/390
11888	of 1884	United Kingdom	126/390

OTHER PUBLICATIONS

HFD, 3-29-82, p. 1, Cookware.

Primary Examiner—Bernard Ansher

Assistant Examiner—Linda Titolo

Attorney, Agent, or Firm—Woodcock Washburn Kurtz Mackiewicz & Norris

[57] **CLAIM**

The ornamental design for a fry pan or similar article, as shown and described.

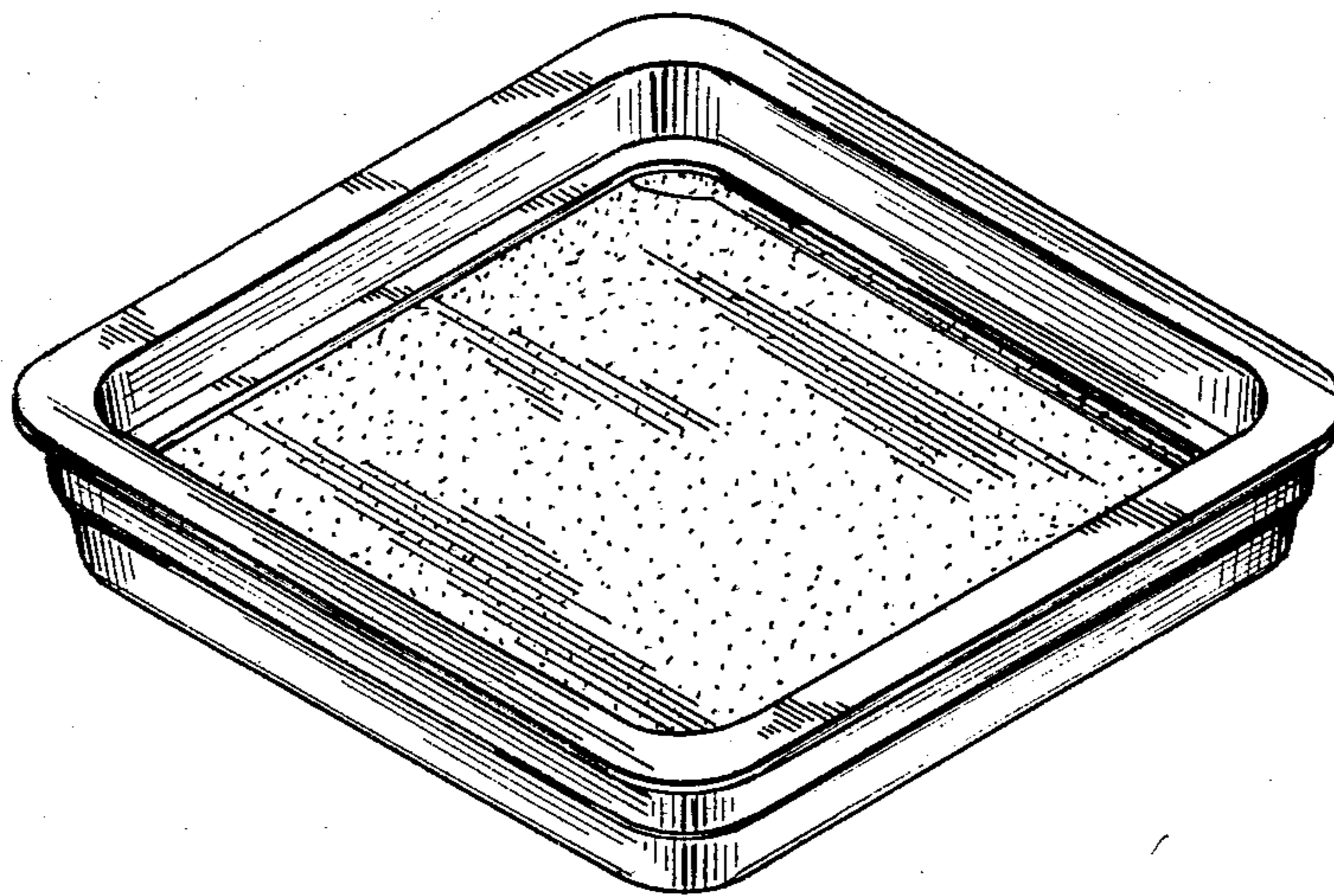
DESCRIPTION

FIG. 1 is a top perspective view of a fry pan or similar article, showing my new design.

FIG. 2 is a top plan view thereof;

FIG. 3 is a bottom plan view thereof; and

FIG. 4 is a front elevational view thereof, the rear elevational view being a mirror image thereof.



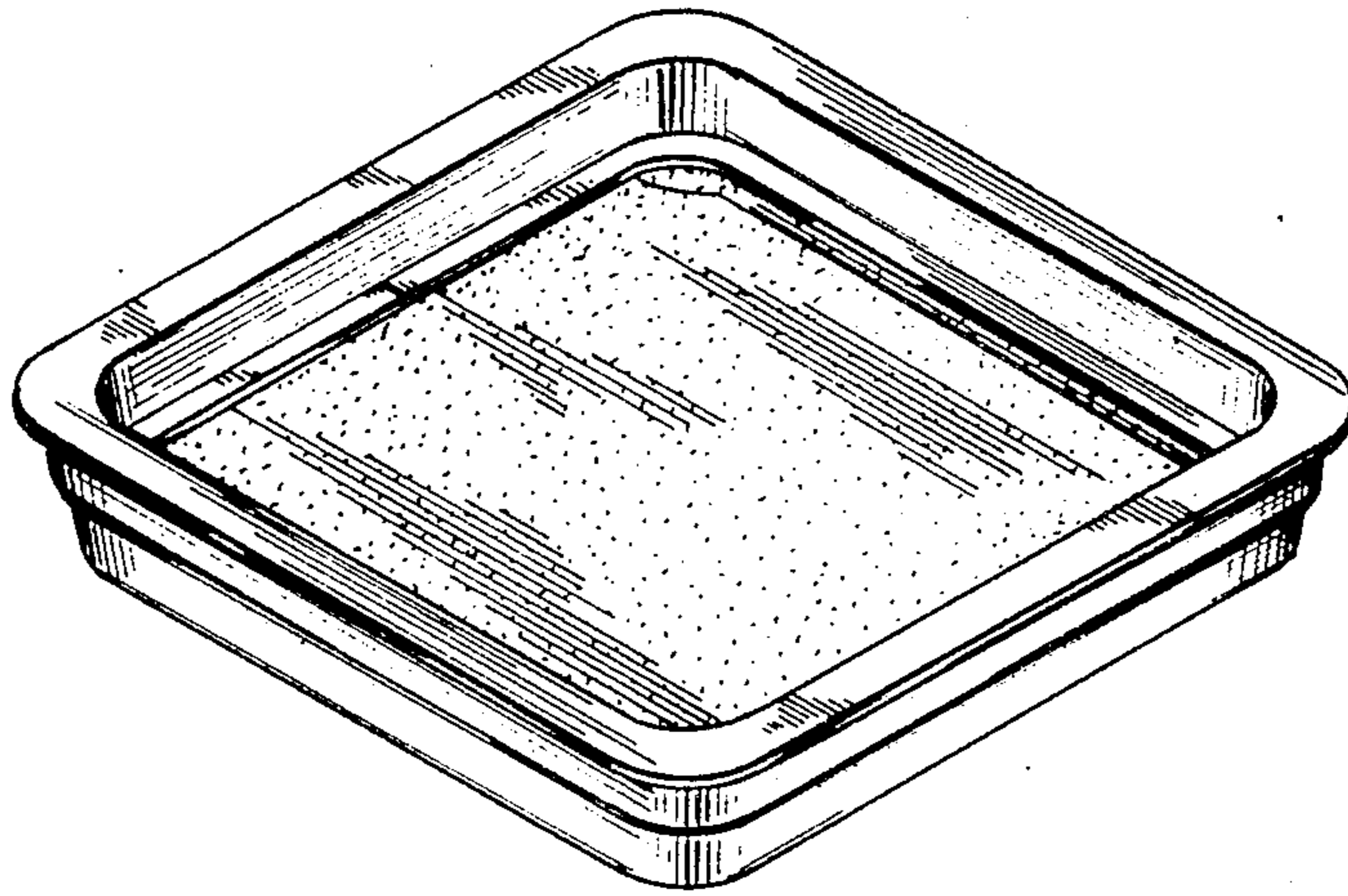


Fig. 1

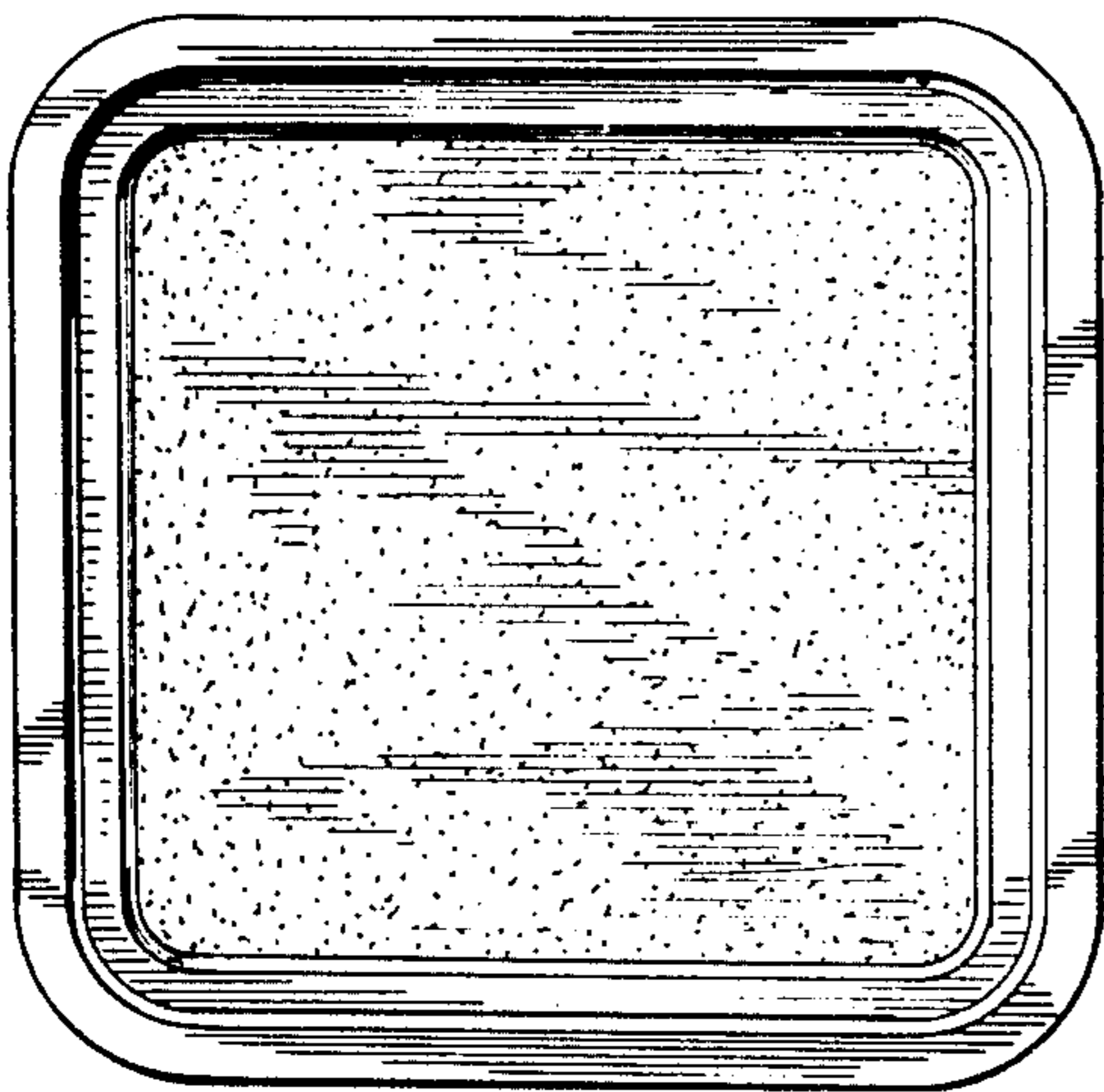


Fig. 2

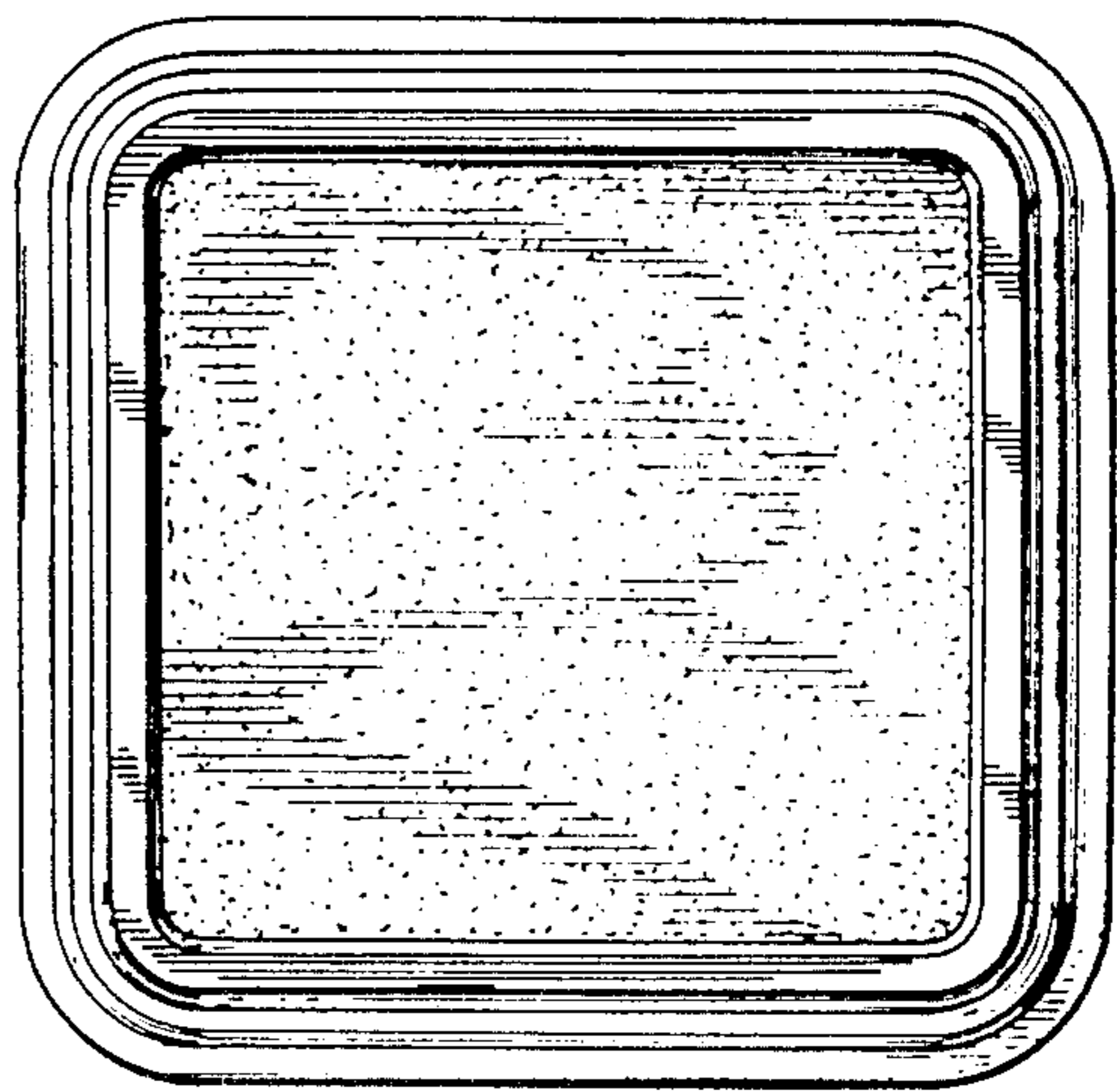


Fig. 3

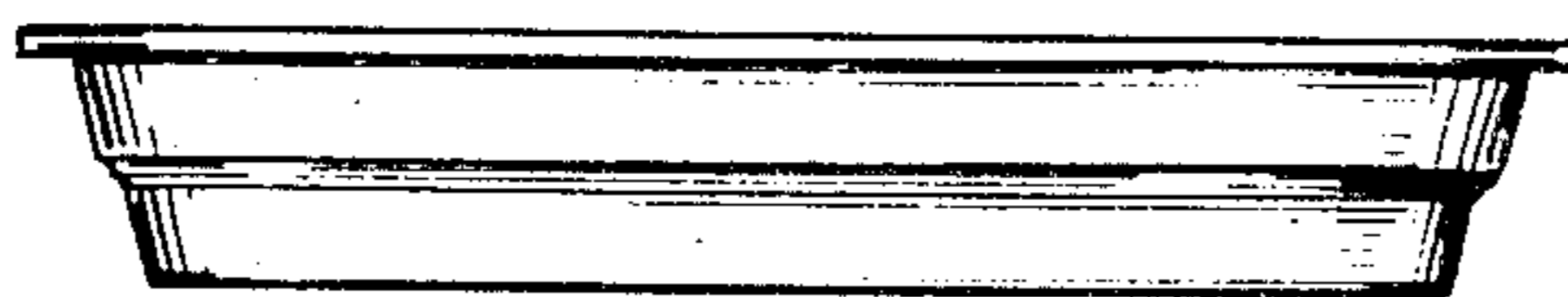


Fig. 4