

[54] TOASTER OVEN

[75] Inventors: Takehisa Nakagawa; Mitsutaka Huke; Chikako Hatta, all of Osaka, Japan

[73] Assignee: Sharp Corporation, Osaka, Japan

[**] Term: 14 Years

[21] Appl. No.: 756,957

[22] Filed: Jul. 17, 1985

[52] U.S. Cl. D7/350

[58] Field of Search D7/339, 349, 350, 351; 219/391, 393; 126/273 R, 19 M, 275 E; D14/70-71

[56] References Cited

U.S. PATENT DOCUMENTS

- D. 189,553 1/1961 Boldt D14/70
- D. 219,852 2/1971 Duncan et al. D7/351

- D. 239,250 3/1976 Kawata et al. D7/351
- D. 286,003 10/1986 Viancin D7/350
- 2,898,437 8/1959 McFarland D7/350

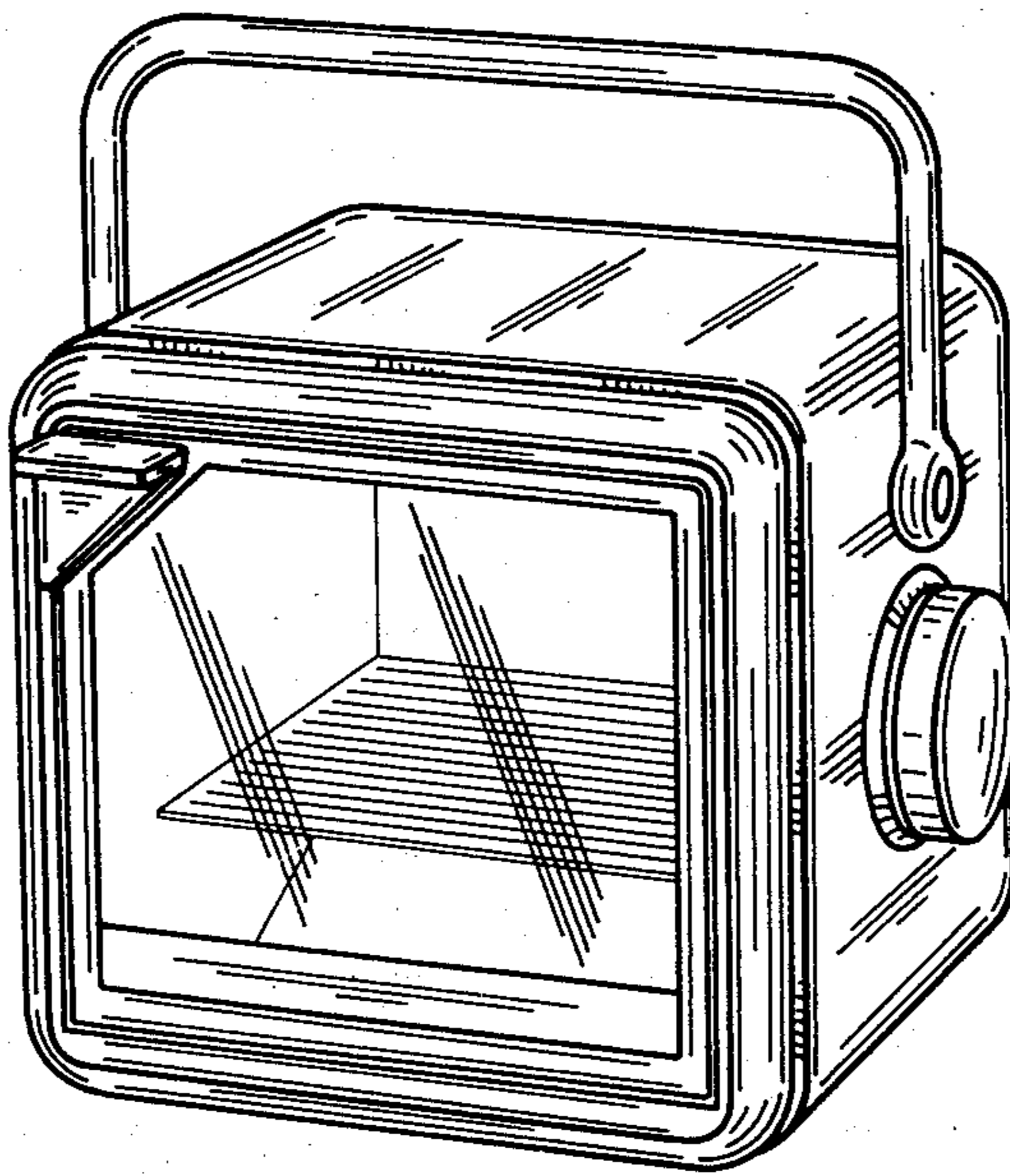
Primary Examiner—Wallace R. Burke
Assistant Examiner—Ruth E. Takemoto
Attorney, Agent, or Firm—Flehr, Hohbach, Test, Albritton & Herbert

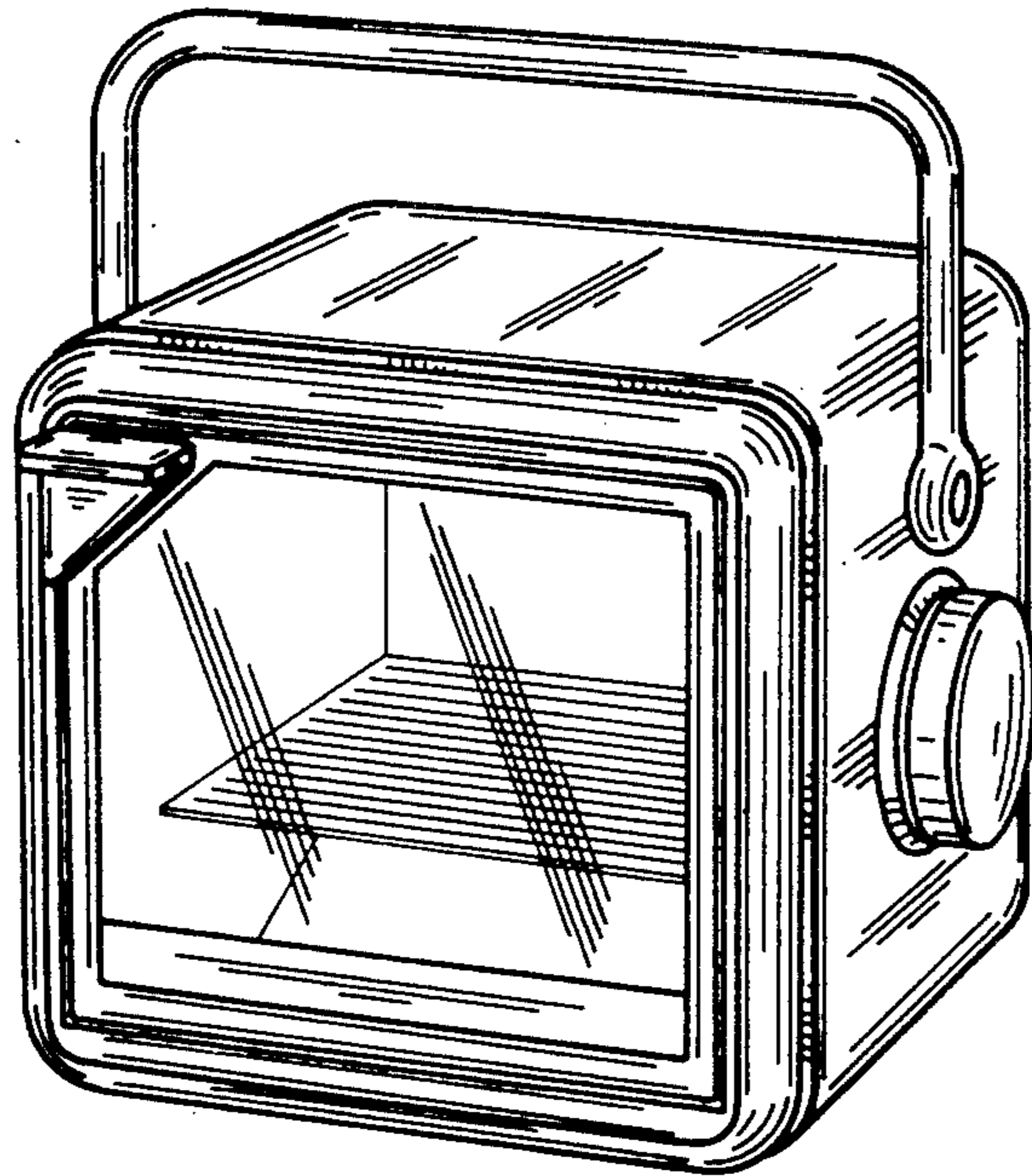
[57] CLAIM

The ornamental design for a toaster oven, as shown and described.

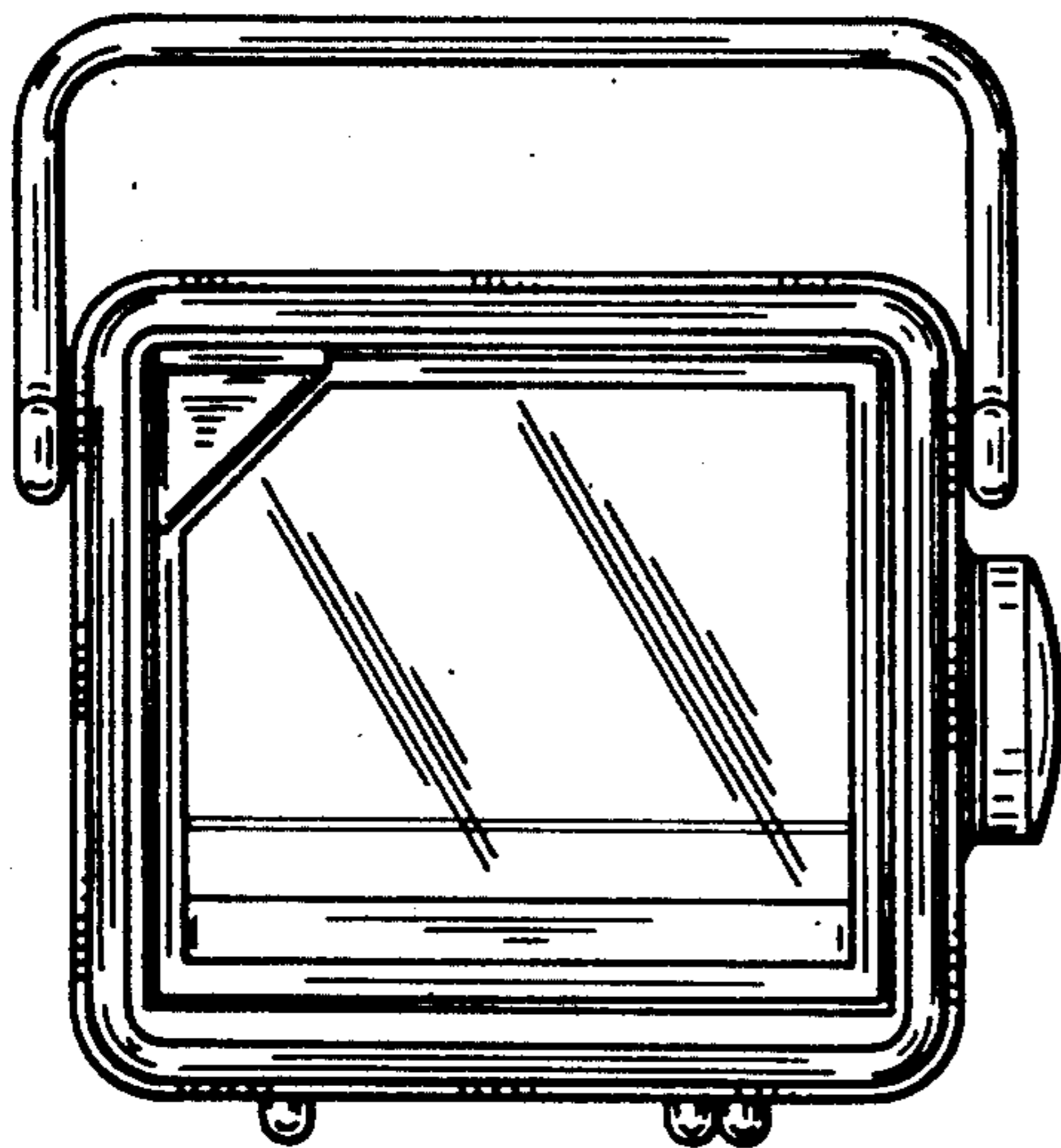
DESCRIPTION

FIG. 1 is a perspective view of the toaster oven showing our new design;
FIG. 2 is a front elevational view thereof;
FIG. 3 is a rear elevational view thereof;
FIG. 4 is a right side elevational view thereof;
FIG. 5 is a left side elevational view thereof;
FIG. 6 is a top plan view thereof; and
FIG. 7 is a bottom plan view thereof.

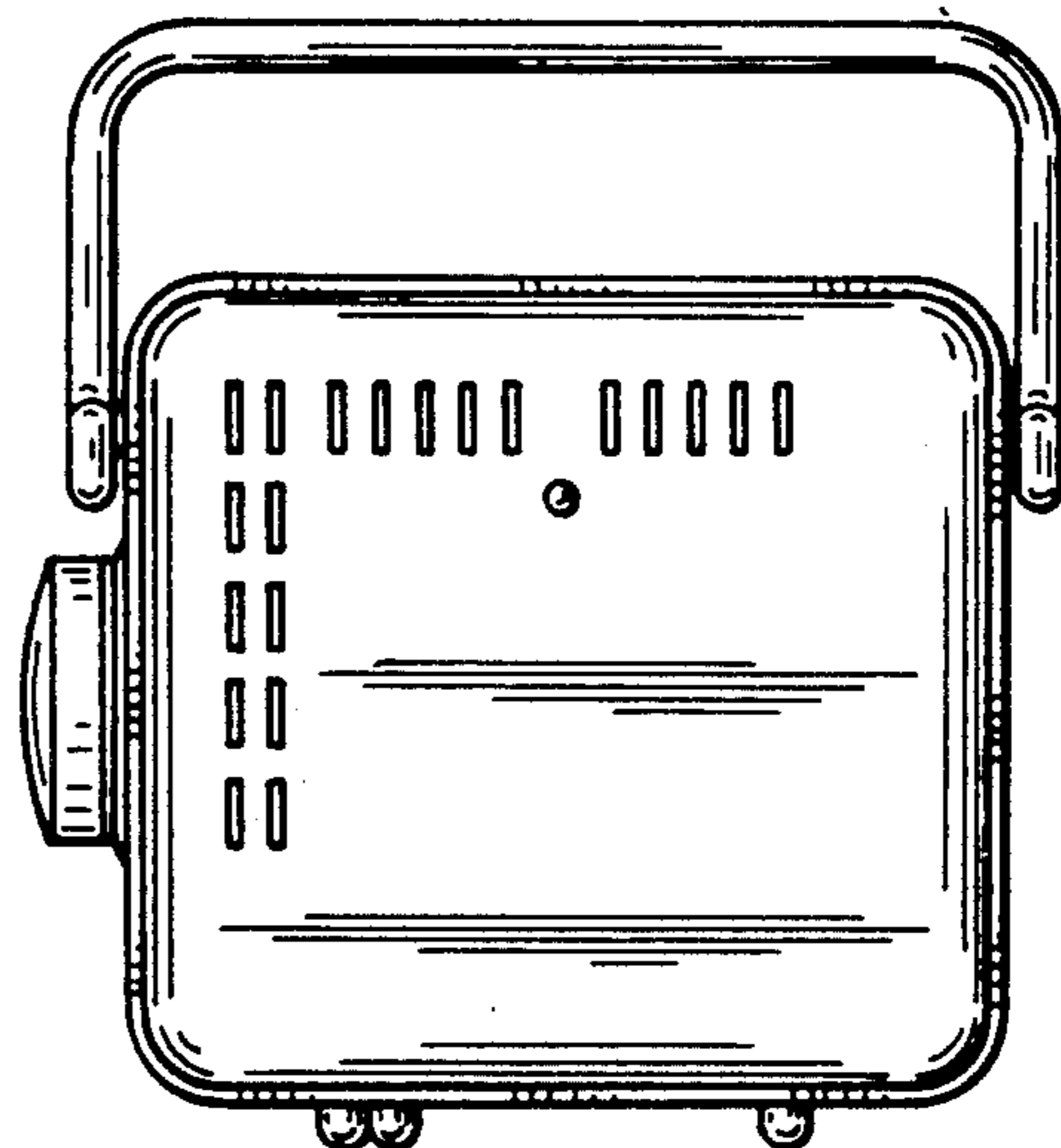




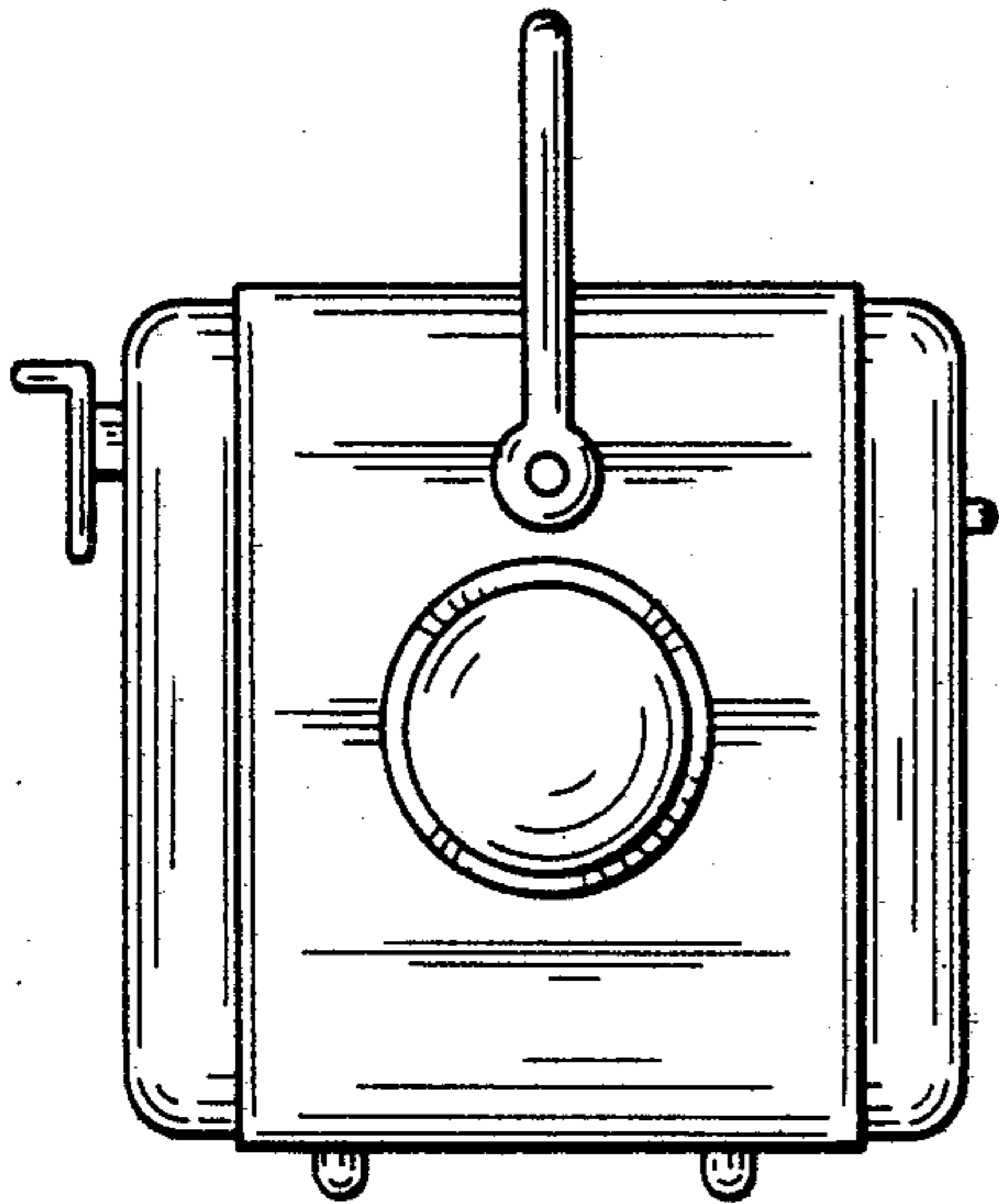
FIG_1



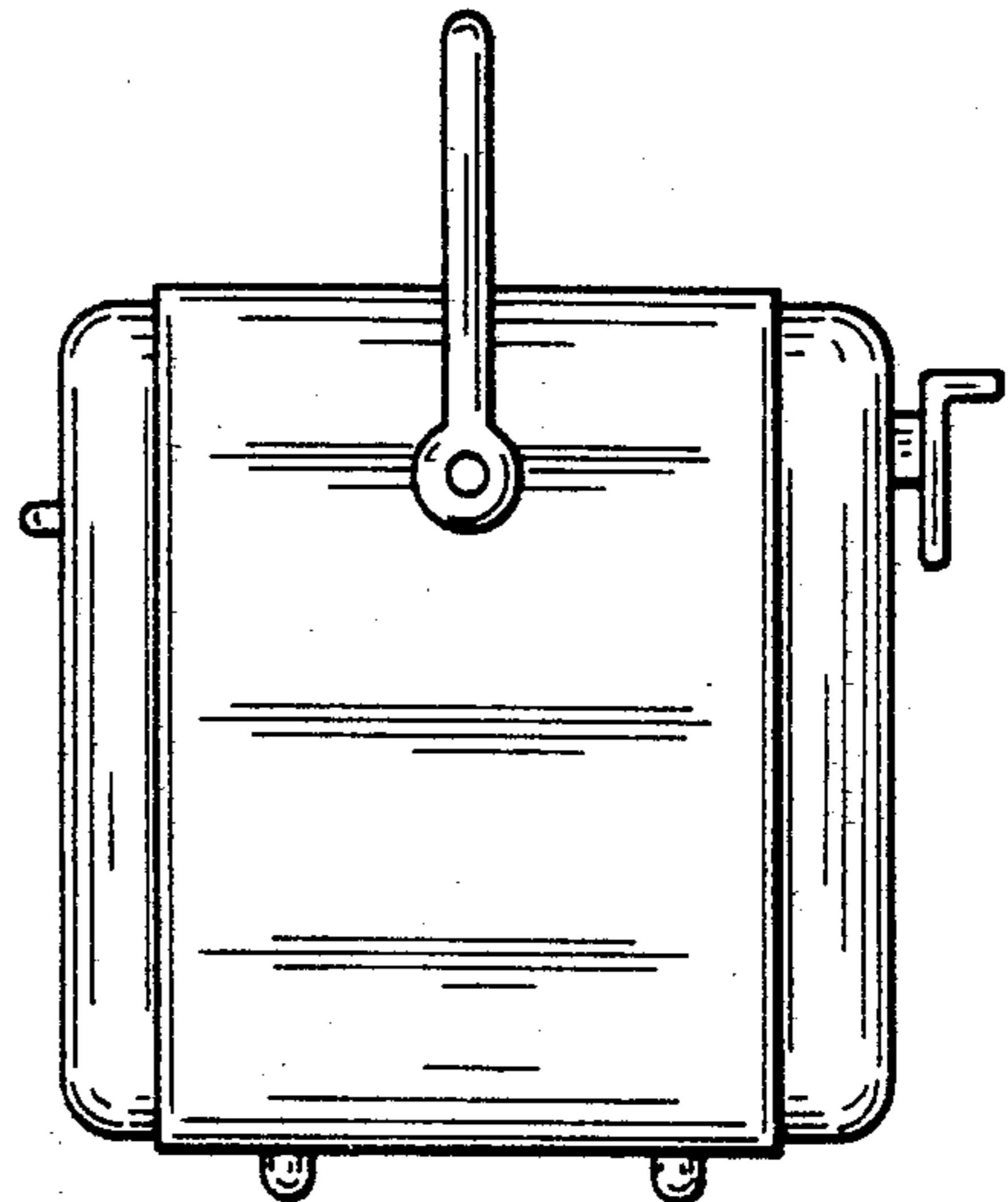
FIG_2



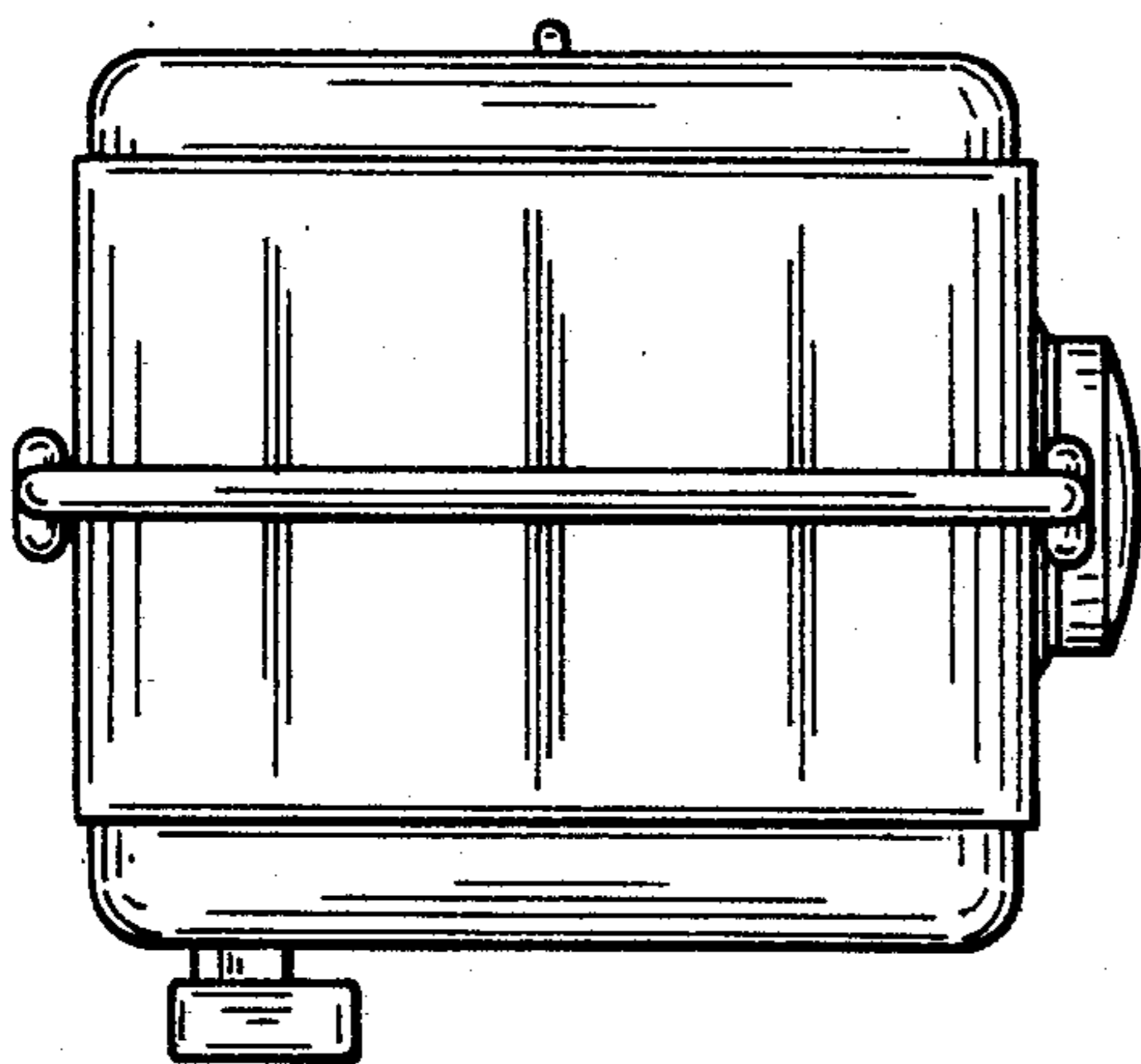
FIG_3



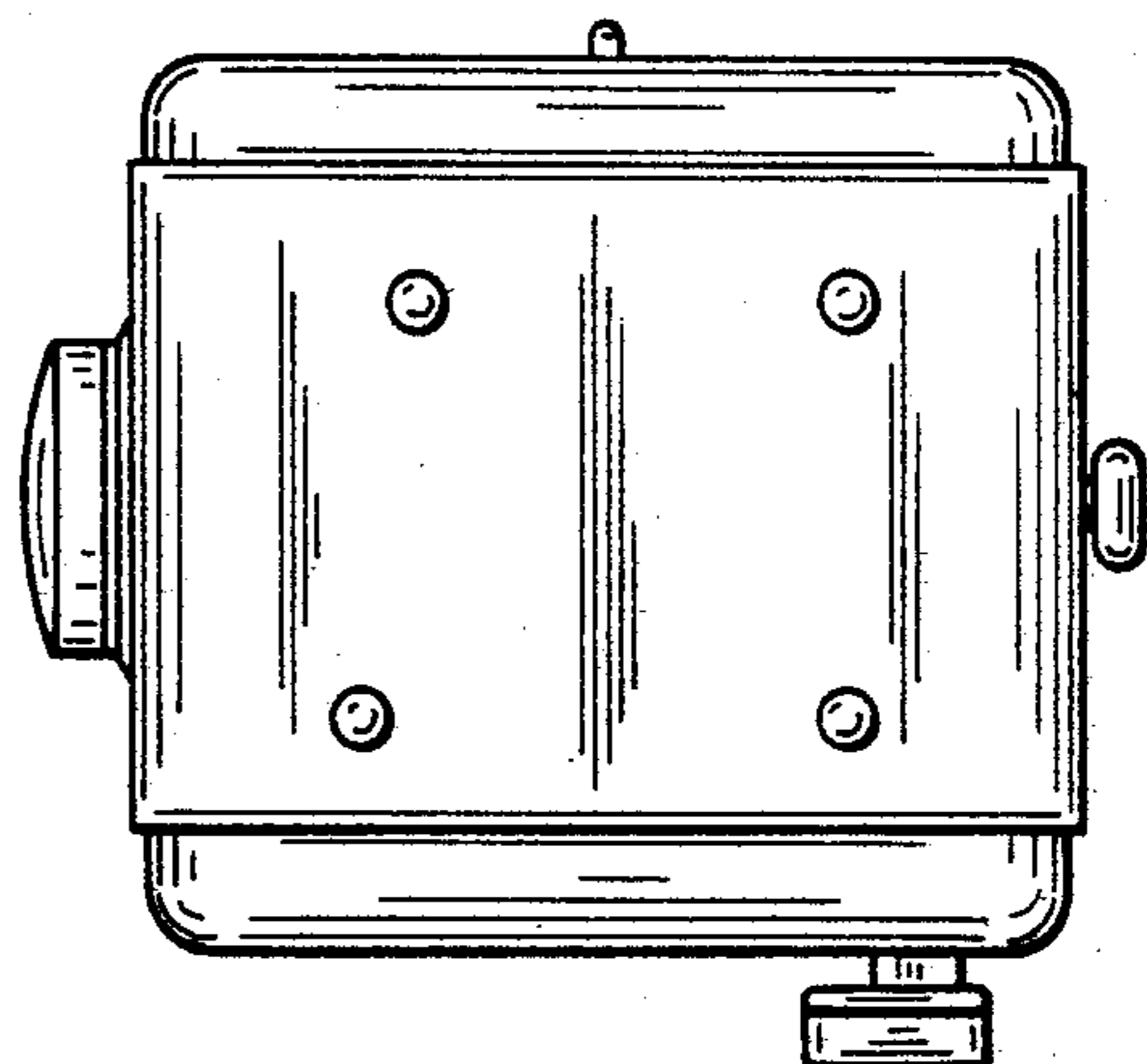
FIG_4



FIG_5



FIG_6



FIG_7