

[54] COFFEE MAKER

[75] Inventor: Delvin R. Ryan, Jr., Lake Forest, Ill.

[73] Assignee: Salton, Inc., Deerfield, Ill.

[**] Term: 14 Years

[21] Appl. No.: 663,308

[22] Filed: Oct. 22, 1984

[52] U.S. Cl. D7/309

[58] Field of Search D7/305, 308, 309, 311, D7/397, 336, 362, 363; 99/300, 312

[56] References Cited

U.S. PATENT DOCUMENTS

D. 209,126	10/1967	Martin	D7/309
D. 238,722	2/1976	Black	D7/309
D. 245,163	7/1977	George	D7/309
4,278,013	7/1981	Noren et al.	99/300 X
4,406,942	9/1983	Conti	D7/309 X

Primary Examiner—Winifred E. Herrmann
Attorney, Agent, or Firm—Ronald A. Sandler; Jerry A. Schulman; Timothy T. Patula

[57] CLAIM

The ornamental design for a coffee maker, as shown and described.

DESCRIPTION

FIG. 1 is a front and left side perspective view of a coffee maker showing my new design; FIG. 2 is a right side elevational view thereof; FIG. 3 is a front elevational view thereof; FIG. 4 is a top plan view thereof; FIG. 5 is a bottom plan view thereof; FIG. 6 is a rear elevational view thereof; and FIG. 7 is a front elevational view thereof with the warmer plate in the raised position. The broken line showing of the filter basket and the beverage decanter in FIG. 2 is for illustrative purposes only and forms no part of the claimed design.

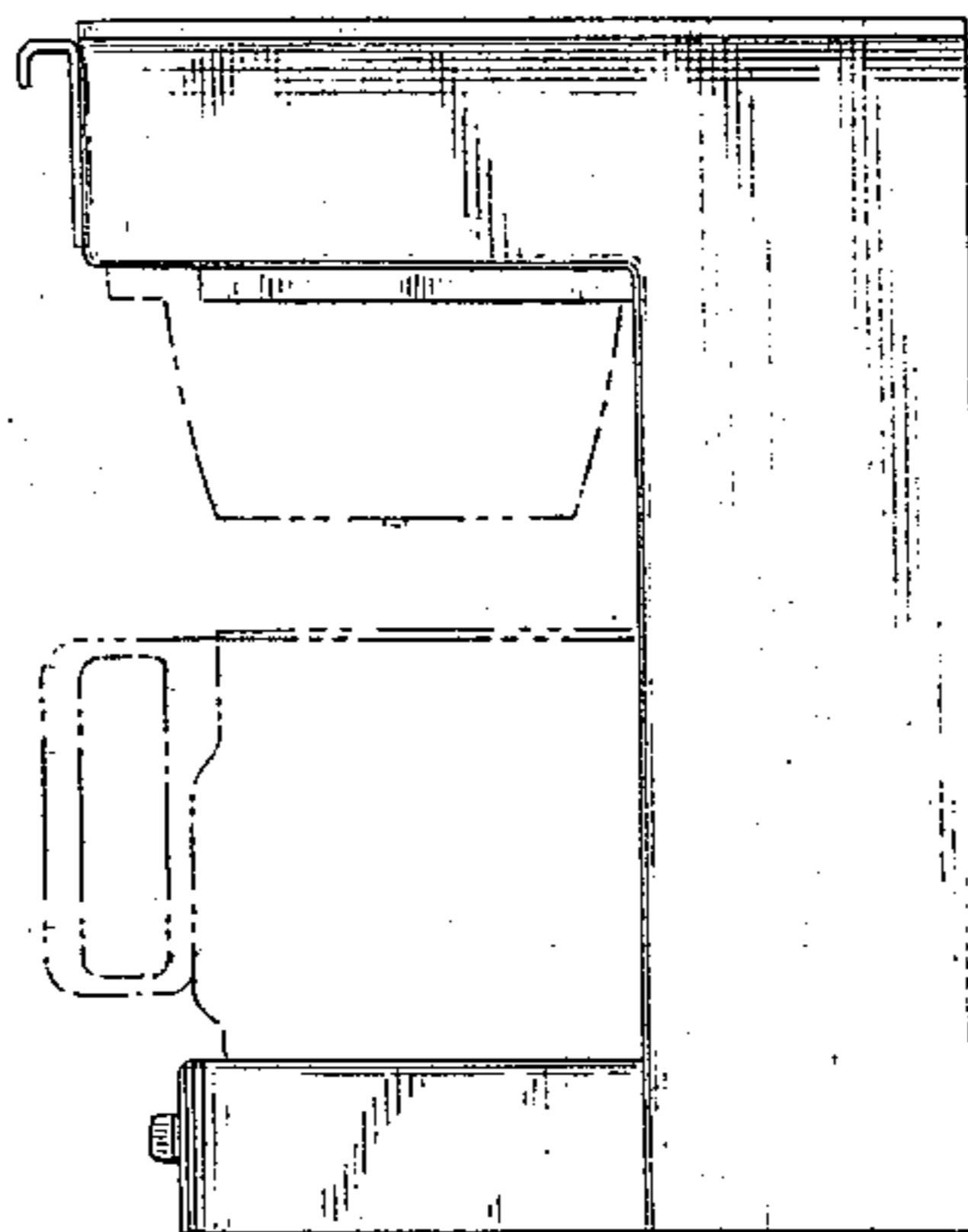
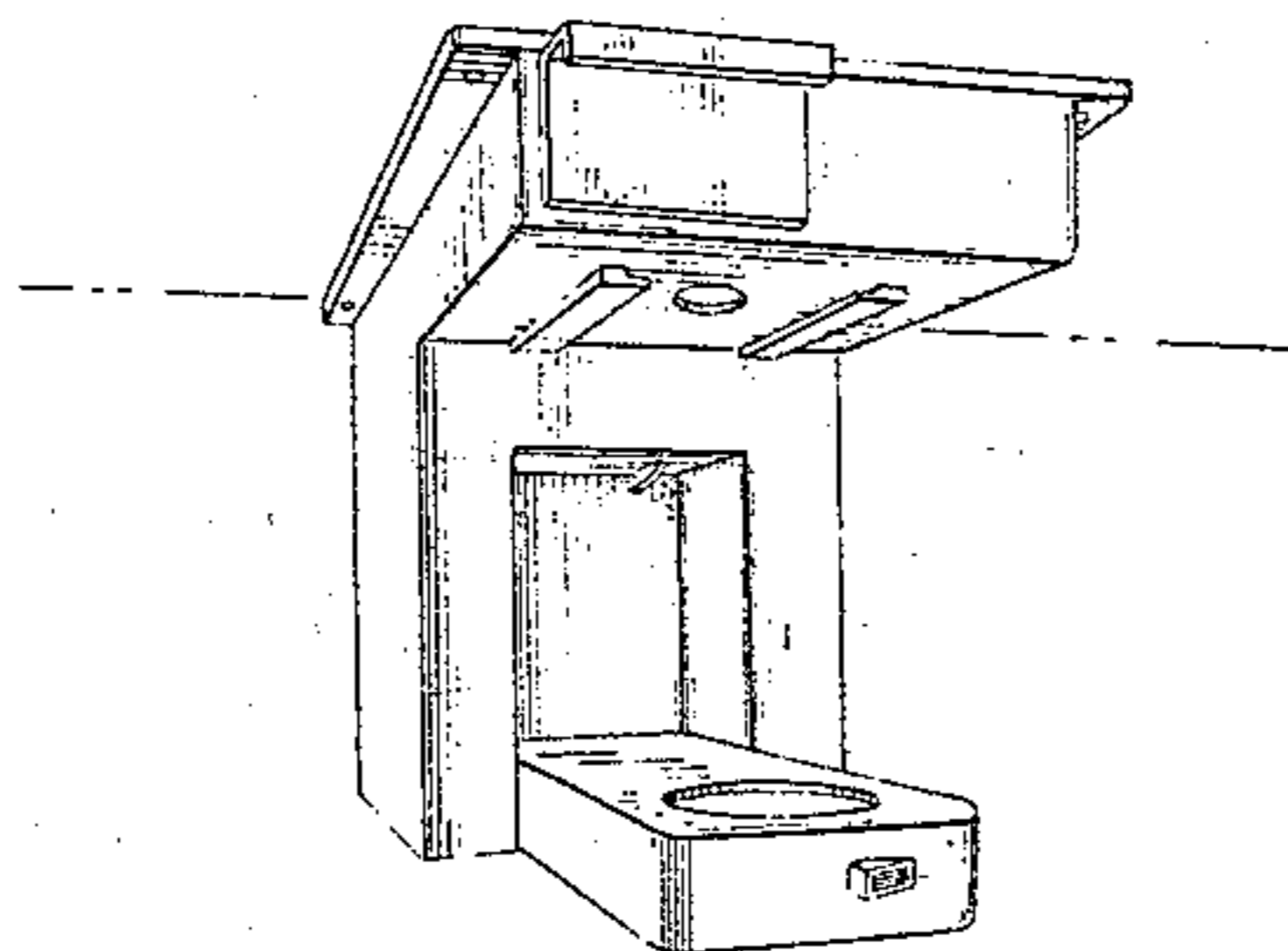


FIG. 1

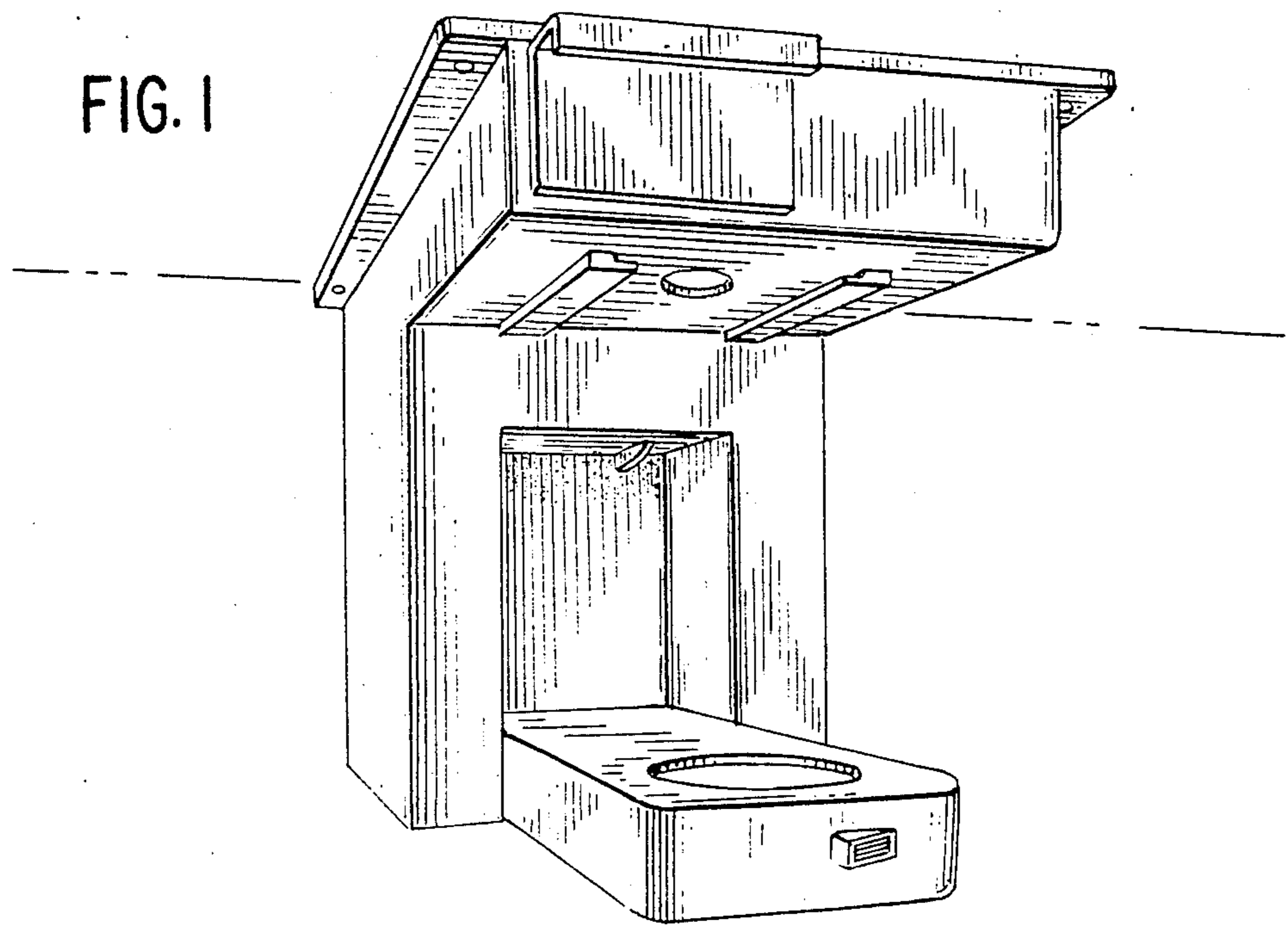


FIG. 2

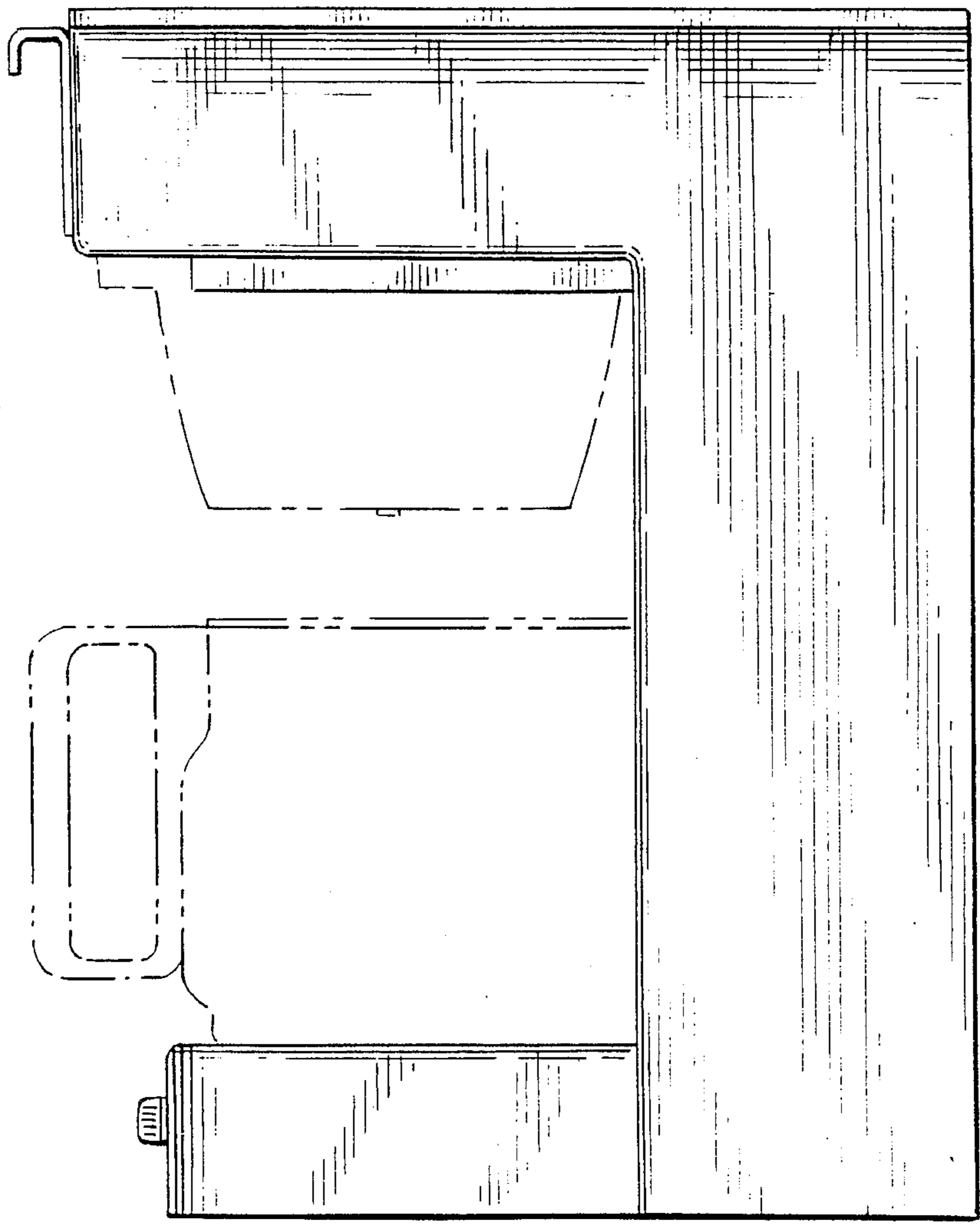


FIG. 3

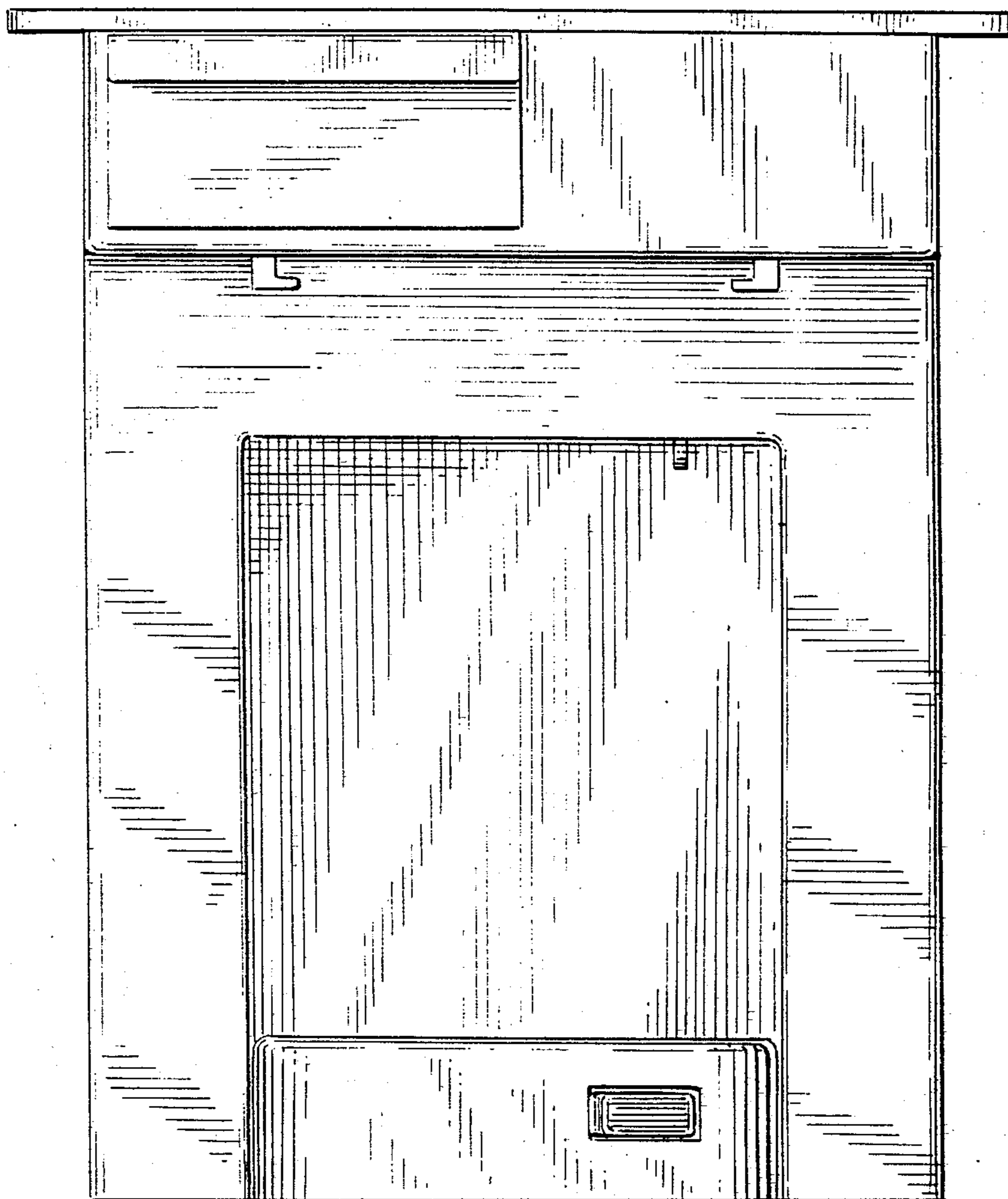


FIG. 4

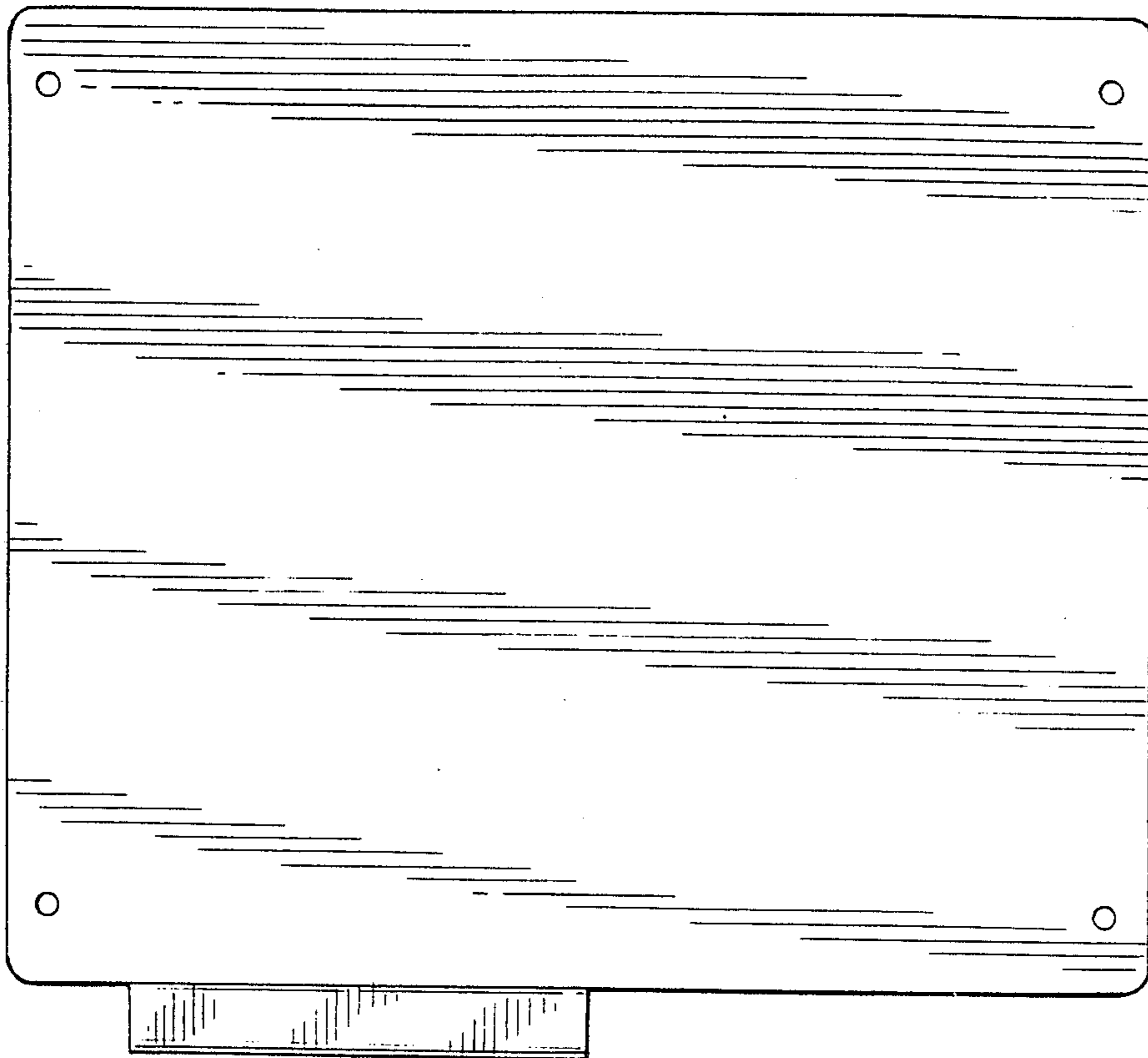


FIG. 5

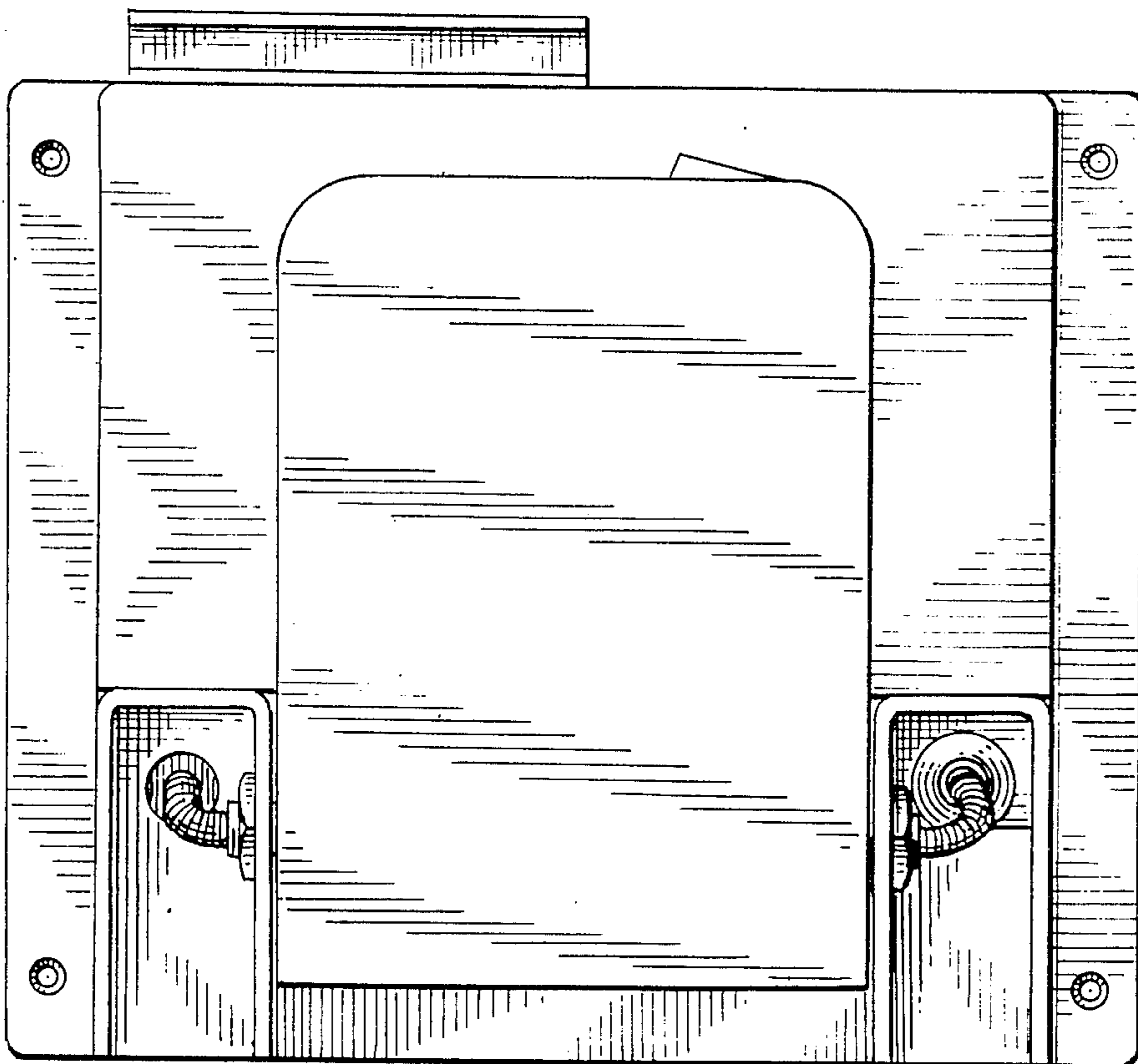


FIG. 6

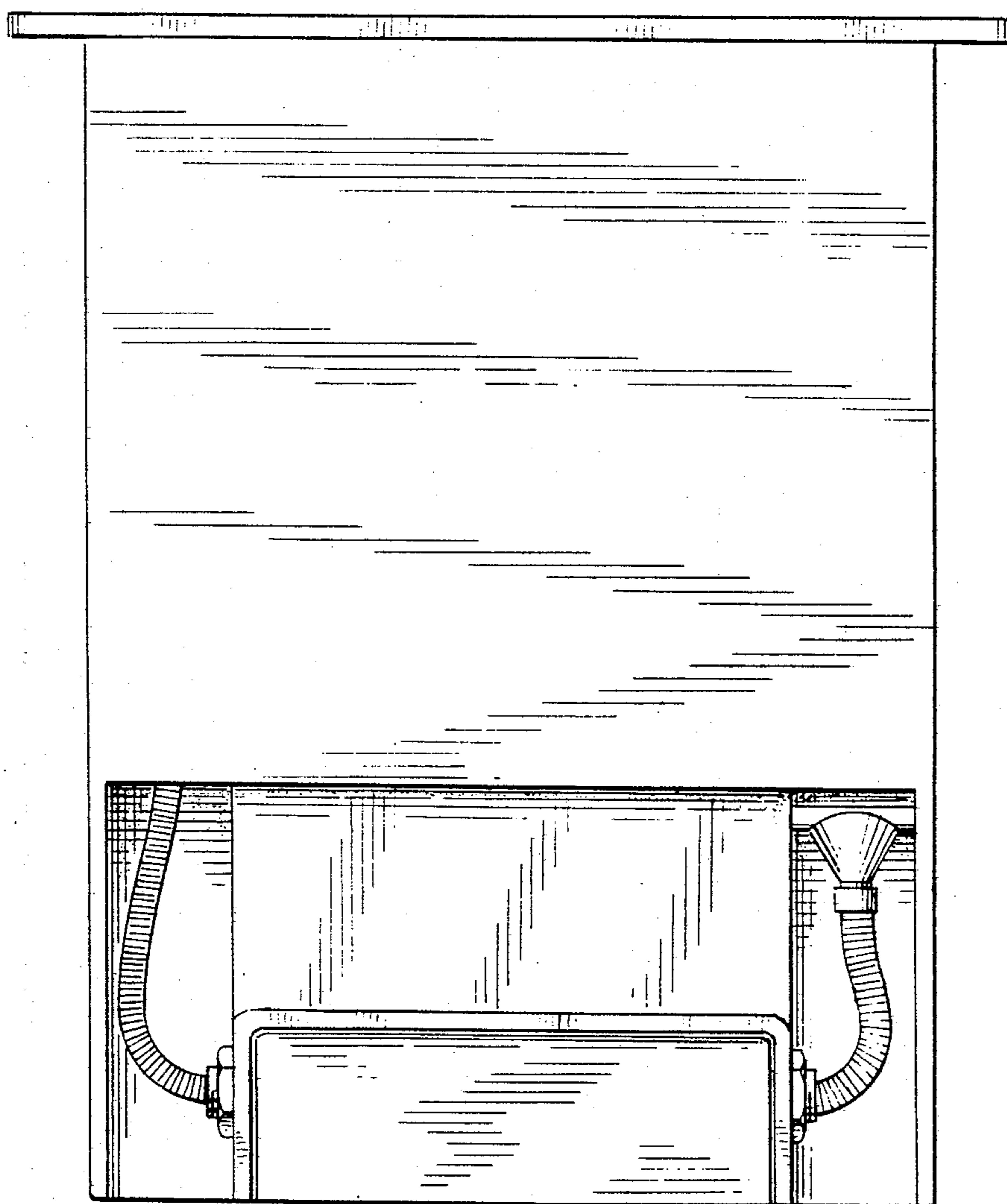


FIG. 7

