

[54] CHAIR CONTROL

[76] Inventor: Frank Doerner, 138 Aberdeen Road, Kitchener, Ontario, Canada, N2M 2Y7

[**] Term: 14 Years

[21] Appl. No.: 642,392

[22] Filed: Aug. 20, 1984

[52] U.S. Cl. D6/500; D12/133

[58] Field of Search D12/133; D6/500, 491, D6/496; 297/304, 305, 300, 301; 248/371, 397, 578

4,013,258	3/1977	Doerner	248/578
4,067,610	1/1978	Doerr et al.	297/301
4,479,679	10/1984	Fries et al.	297/304

Primary Examiner—James M. Gandy
Assistant Examiner—Kay H. Chin
Attorney, Agent, or Firm—Riches, McKenzie & Herbert

[57] CLAIM

The ornamental design for a chair control, as shown and described.

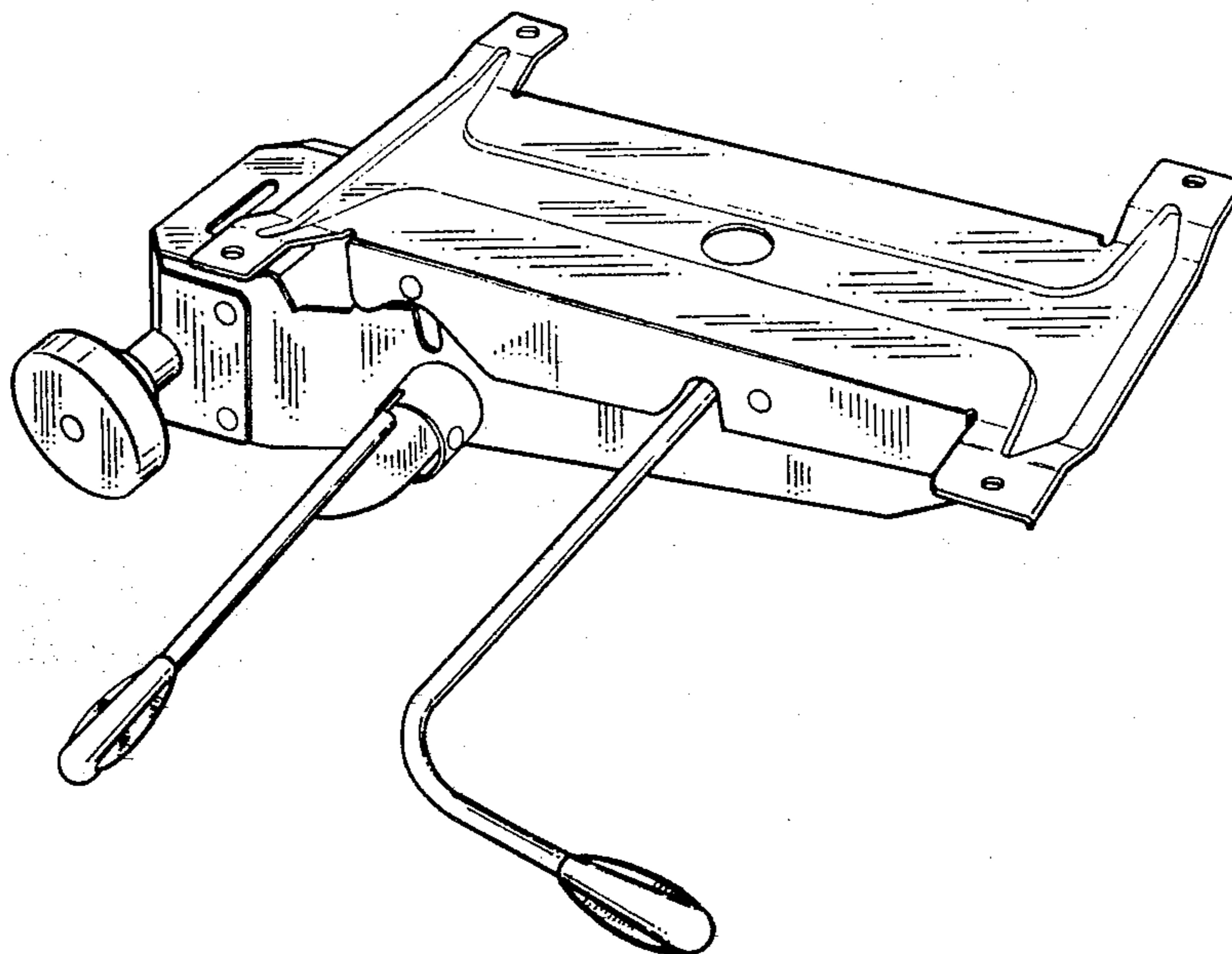
DESCRIPTION

FIG. 1 is a front, perspective view of a chair control showing my new design;
FIG. 2 is a bottom perspective view showing the opposite side to FIG. 1;
FIG. 3 is a side elevational view thereof;
FIG. 4 is a top plan view thereof;
FIG. 5 is a side elevational view of a second embodiment of a chair control showing my new design;
FIG. 6 is a top plan view of FIG. 5;
FIG. 7 is a front, perspective view of FIG. 5; and
FIG. 8 is a bottom perspective view of FIG. 5.

[56] References Cited

U.S. PATENT DOCUMENTS

D. 242,514	11/1976	Doerner	D6/500
D. 249,768	10/1978	Pinaire et al.	D6/500
D. 250,501	12/1978	Pinaire et al.	D6/500
D. 252,661	8/1979	Bowman	D6/500
D. 279,635	7/1985	Aasen	D6/491
2,329,327	9/1943	Boerner	297/304
3,659,819	5/1972	Wolters	297/304



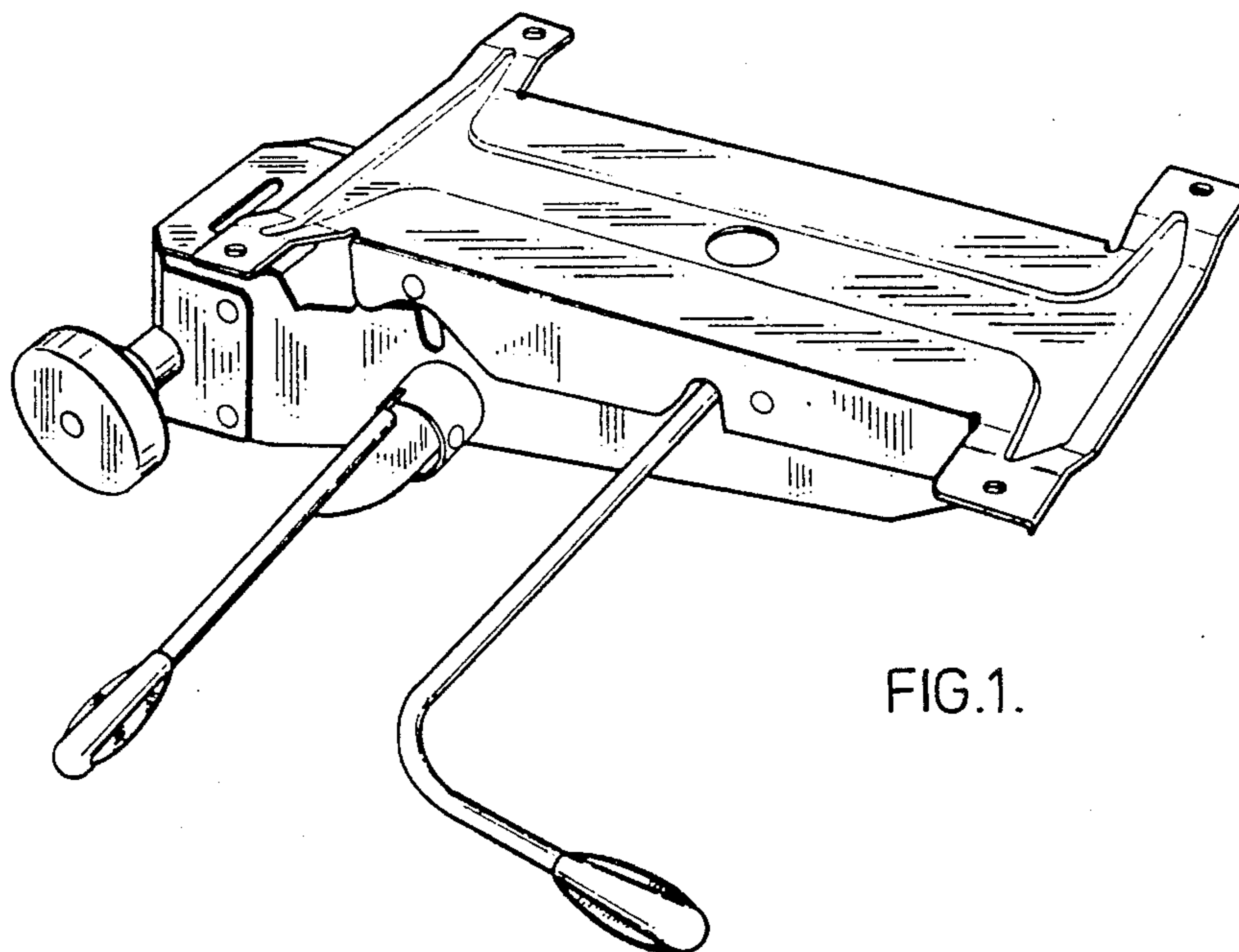


FIG. 1.

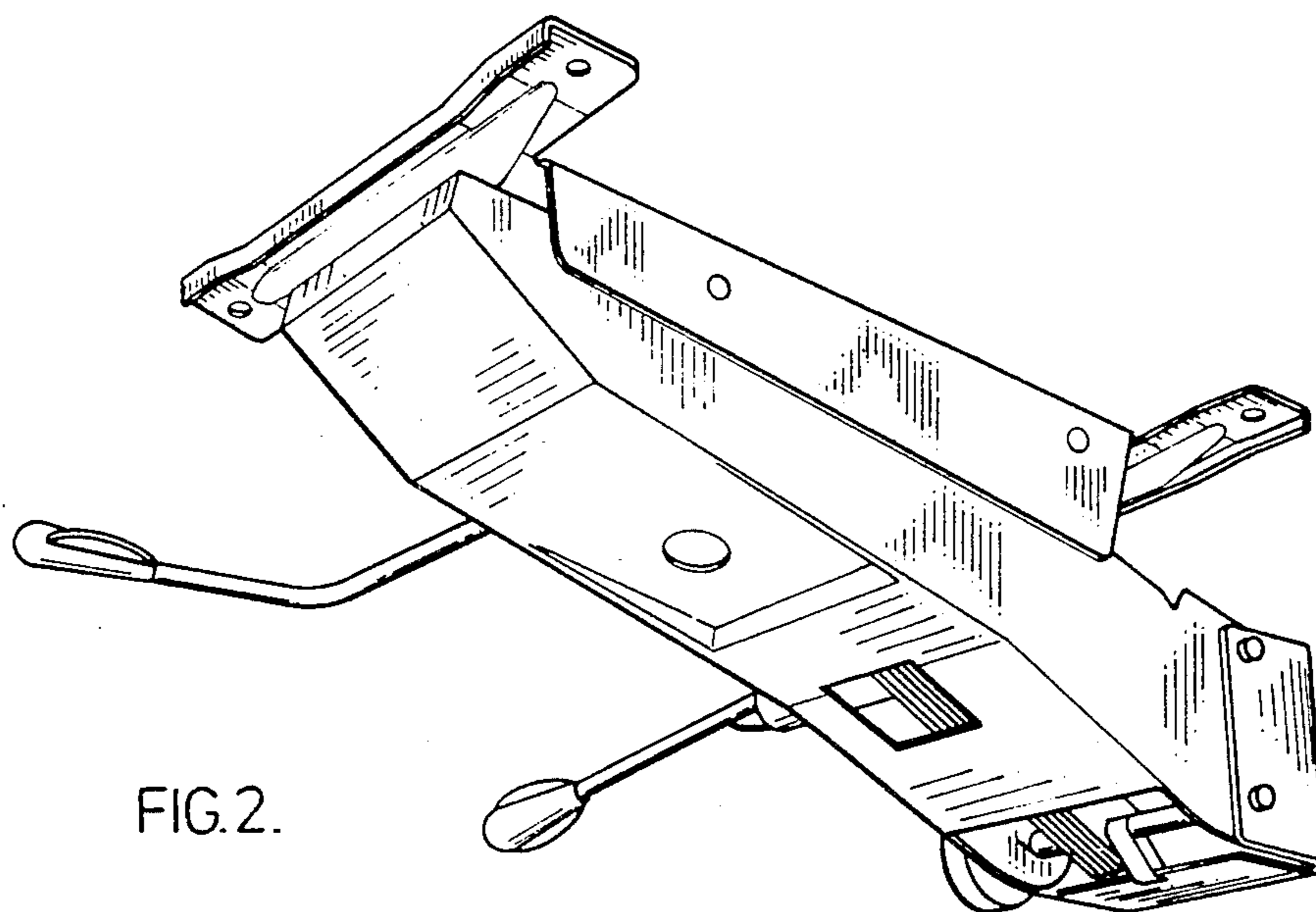


FIG. 2.

FIG. 3.

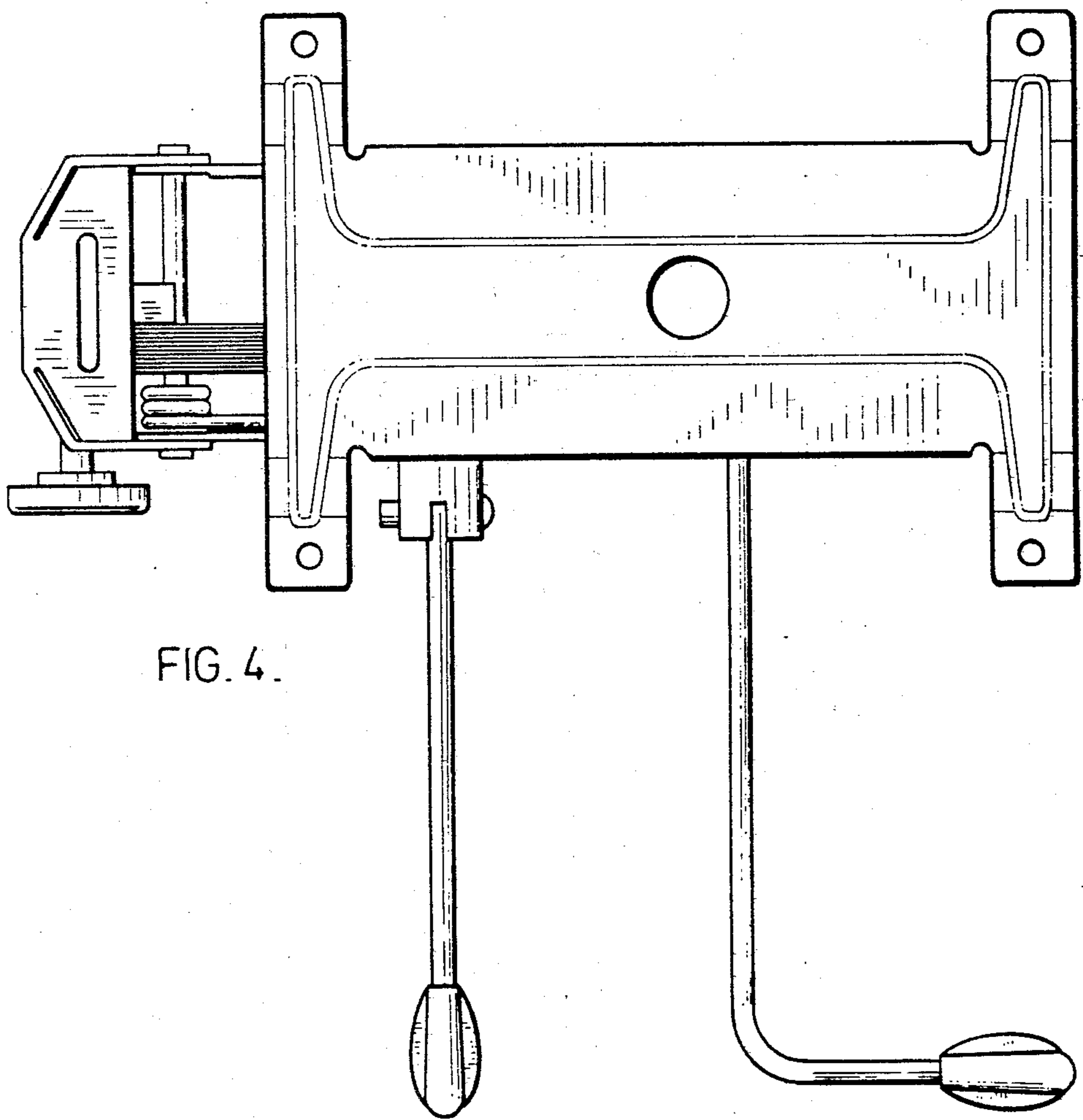
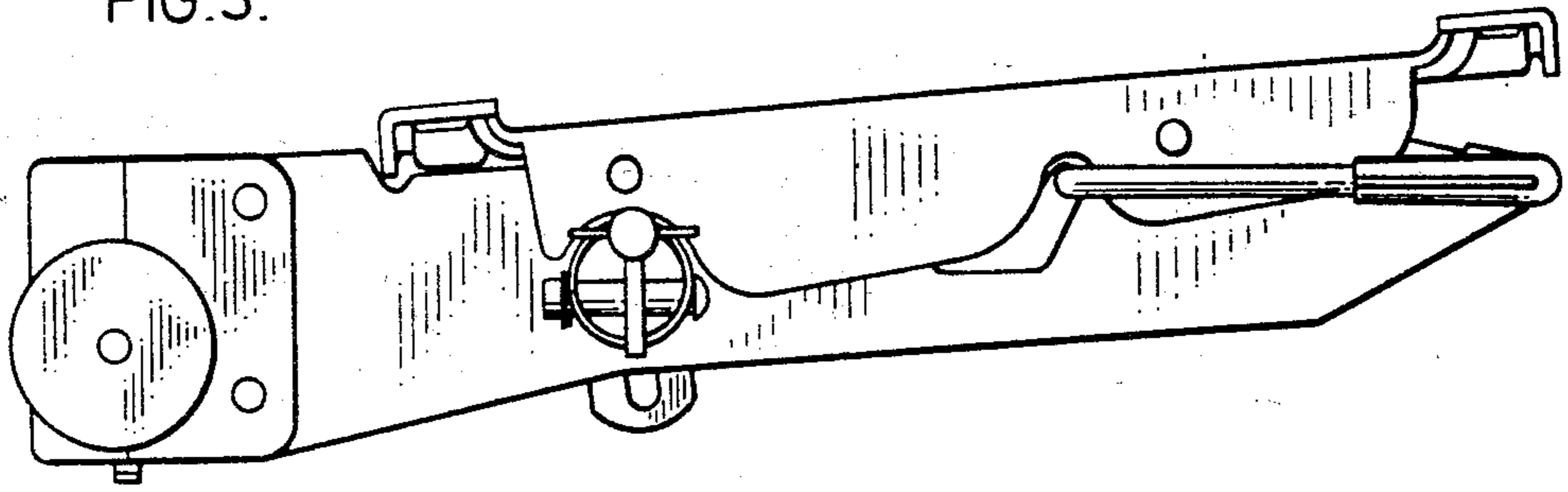


FIG. 4.

