

[54] **CONSOLE OR THE LIKE**

[75] **Inventor: William Doezema, Grand Rapids, Mich.**

[73] **Assignee: Baker, Knapp & Tubbs, Inc., Chicago, Ill.**

[\*\*] **Term: 14 Years**

[21] **Appl. No.: 685,364**

[22] **Filed: Dec. 24, 1984**

[52] **U.S. Cl. .... D6/484; D6/487**

[58] **Field of Search ..... D6/477, 479, 480, 484, D6/486, 487**

[56] **References Cited**

**U.S. PATENT DOCUMENTS**

- D. 168,167 11/1952 Molla ..... D6/480
- D. 240,582 7/1976 Friedman ..... D6/484

- D. 273,921 5/1984 Woolaway ..... D6/480
- D. 282,799 3/1986 Doezema ..... D6/484 X

**OTHER PUBLICATIONS**

Willow & Reed catalog, 1974, p. 52, Console No. 160.

*Primary Examiner*—Bruce W. Dunkins

[57] **CLAIM**

The ornamental design for a console or the like, as shown.

**DESCRIPTION**

FIG. 1 is a front, top and right-side perspective view of a console or the like showing my new design;  
 FIG. 2 is a front elevational view thereof;  
 FIG. 3 is a rear elevational view thereof;  
 FIG. 4 is a top plan view thereof;  
 FIG. 5 is a bottom plan view thereof; and  
 FIG. 6 is a left-side elevational view thereof.

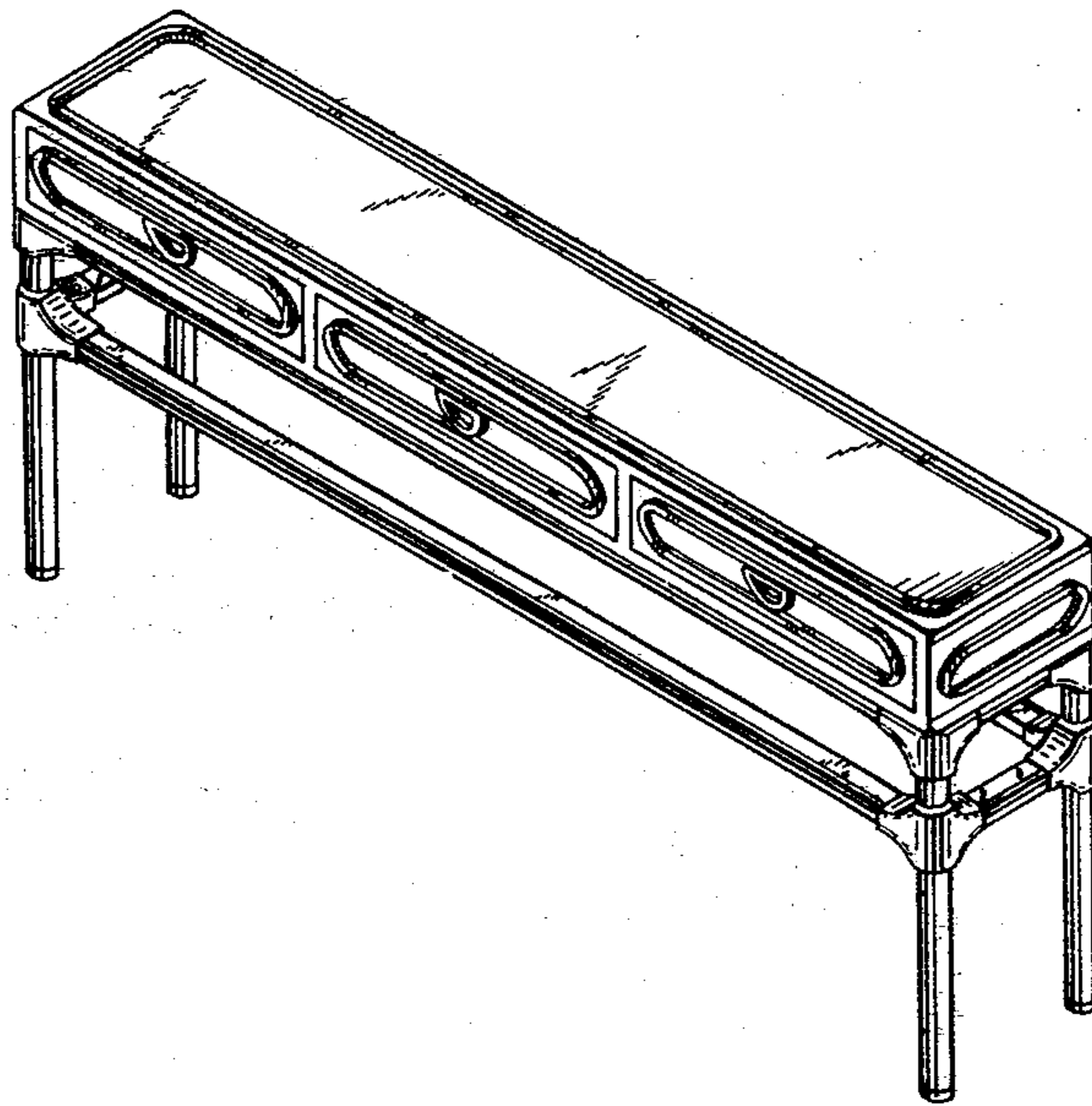


FIG.1

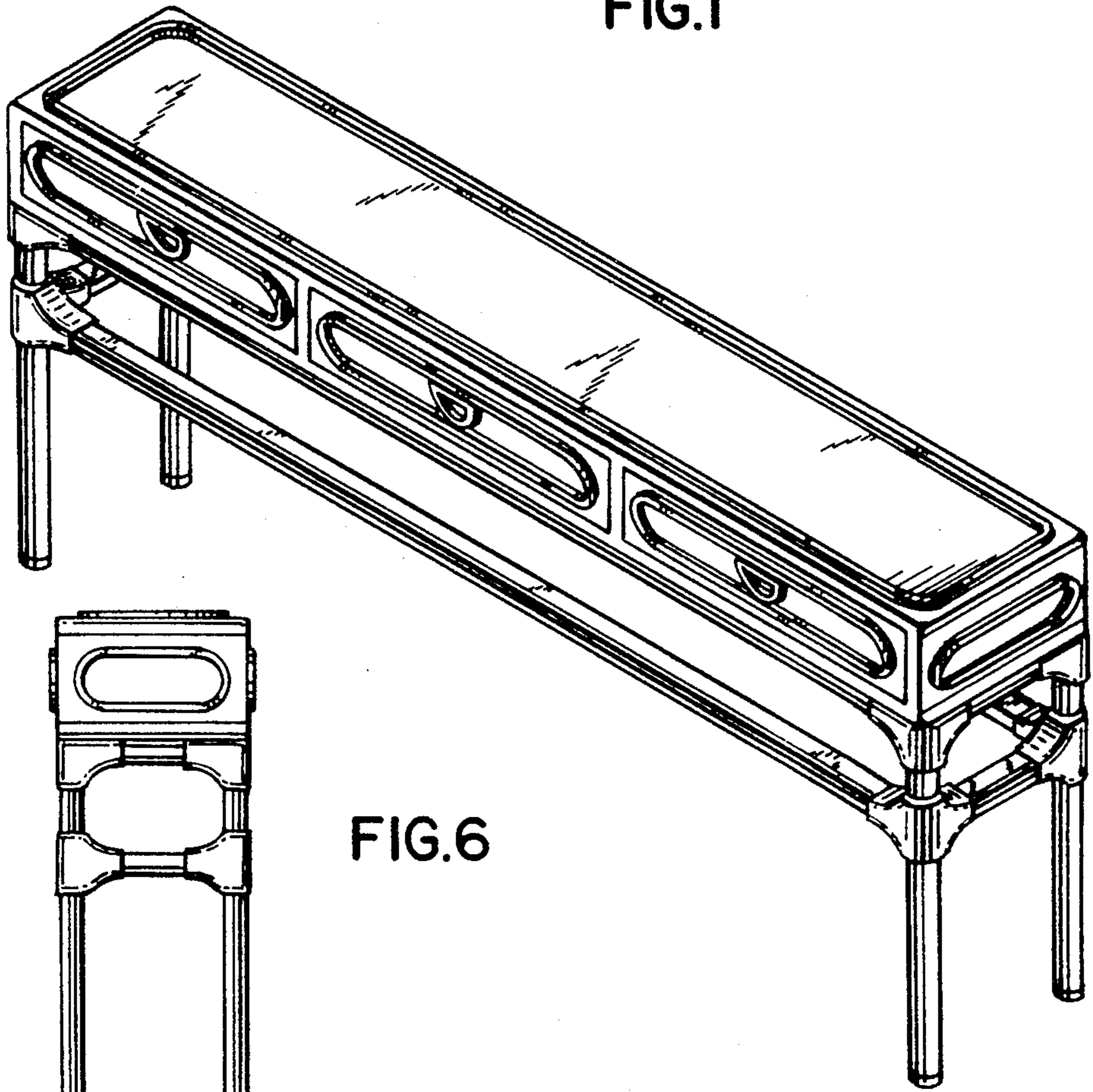


FIG.6

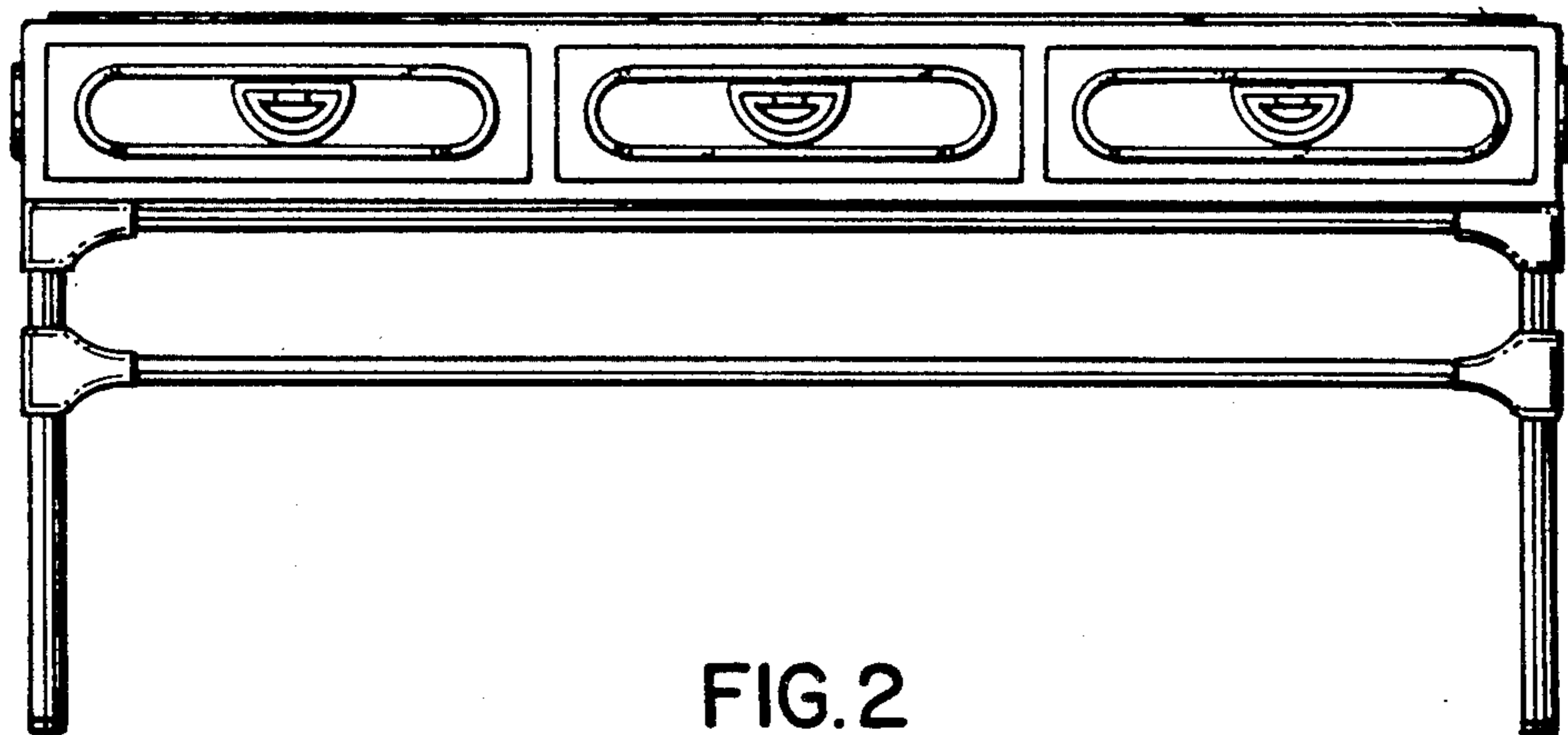
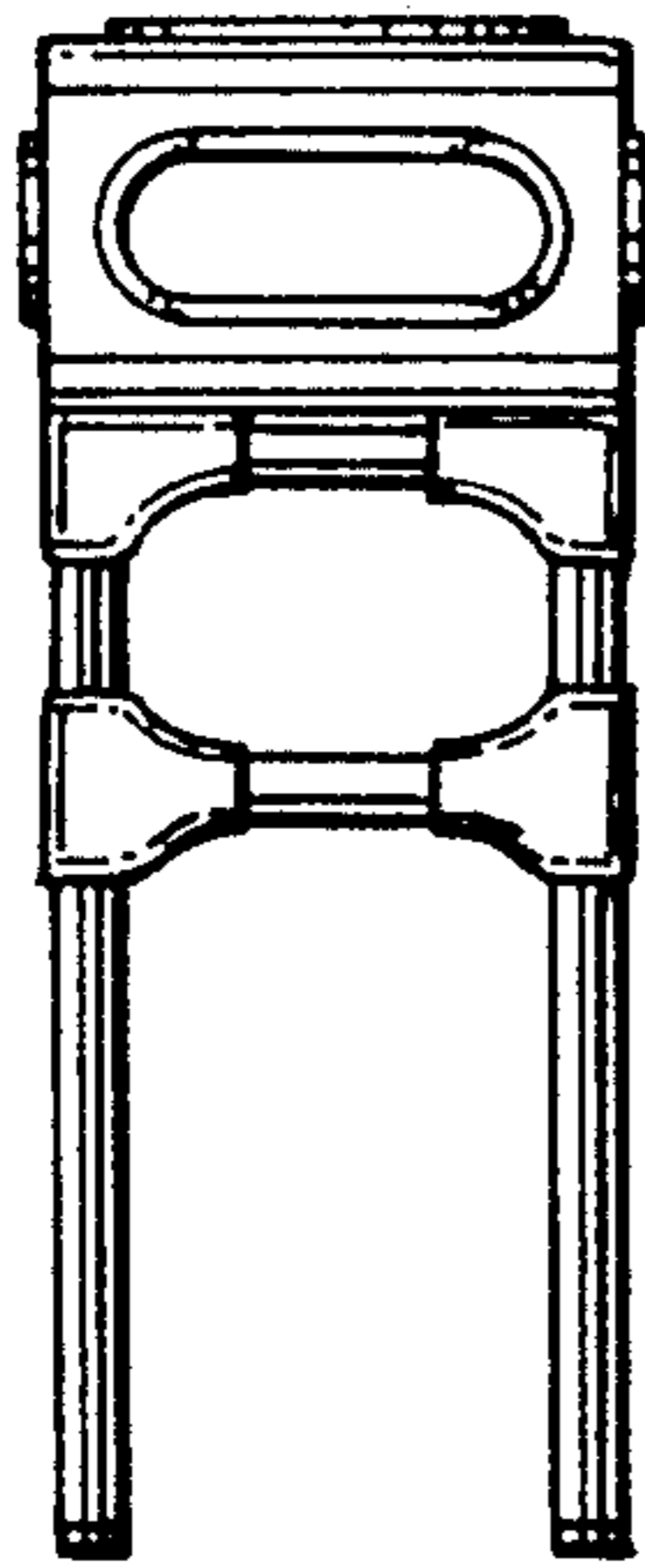


FIG.2

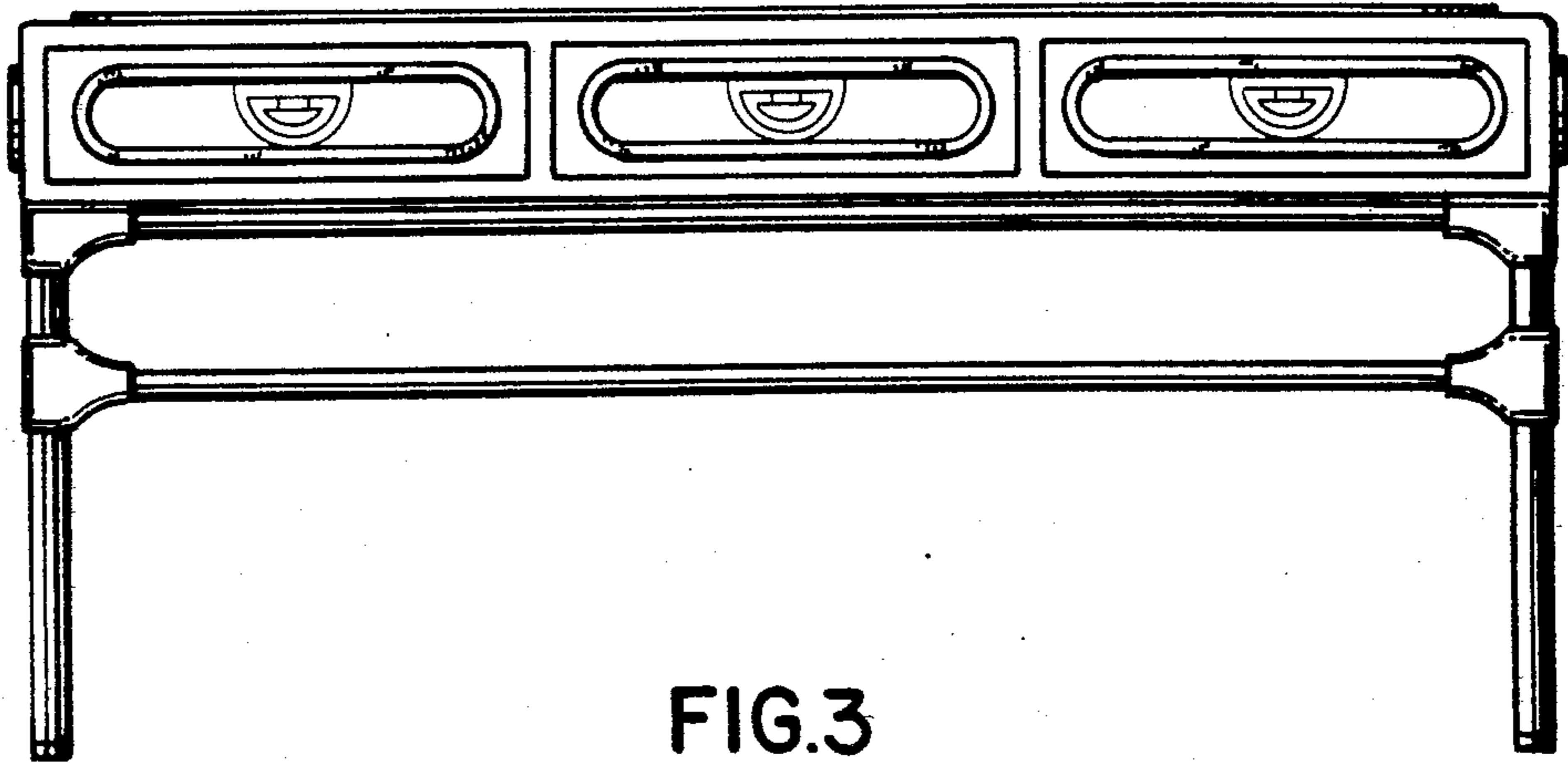


FIG. 3

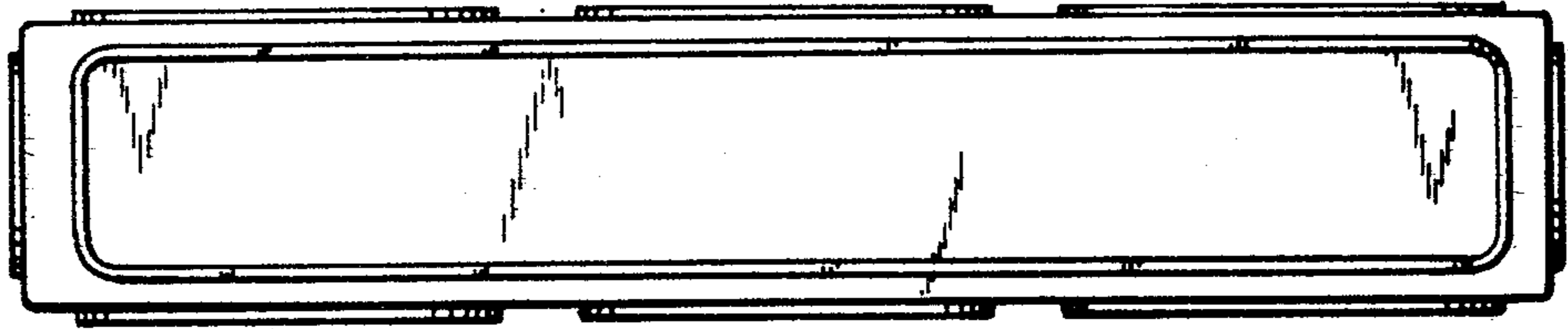


FIG. 4



FIG. 5