

[54] **CHAIR**

[76] **Inventor:** Peter Opsvik, Høgtunveien 12,
N-1370 Asker, Norway

[**] **Term:** 14 Years

[21] **Appl. No.:** 727,090

[22] **Filed:** Apr. 25, 1985

[30] **Foreign Application Priority Data**

Nov. 6, 1984 [NO] Norway 65691

[52] **U.S. Cl.** D6/335; D6/300;
D6/354

[58] **Field of Search** D6/300, 335, 354, 366,
D6/367, 373; 297/195, 423, 424, 431

[56] **References Cited**

U.S. PATENT DOCUMENTS

D. 271,727 12/1983 Opsvik D6/334
D. 277,722 2/1985 Gusrud D6/354 X
D. 283,378 4/1986 Opsvik D6/334 X

Primary Examiner—Bruce W. Dunkins
Attorney, Agent, or Firm—Darby & Darby

[57] **CLAIM**

The ornamental design for a chair, substantially as shown.

DESCRIPTION

FIG. 1 is a front perspective view of the chair from above embodying my new design;

FIG. 2 is a front perspective view from below of the chair;

FIG. 3 is a rear perspective view from below view of the chair;

FIG. 4 is a side view of the chair; and

FIG. 5 is a bottom view of the chair.

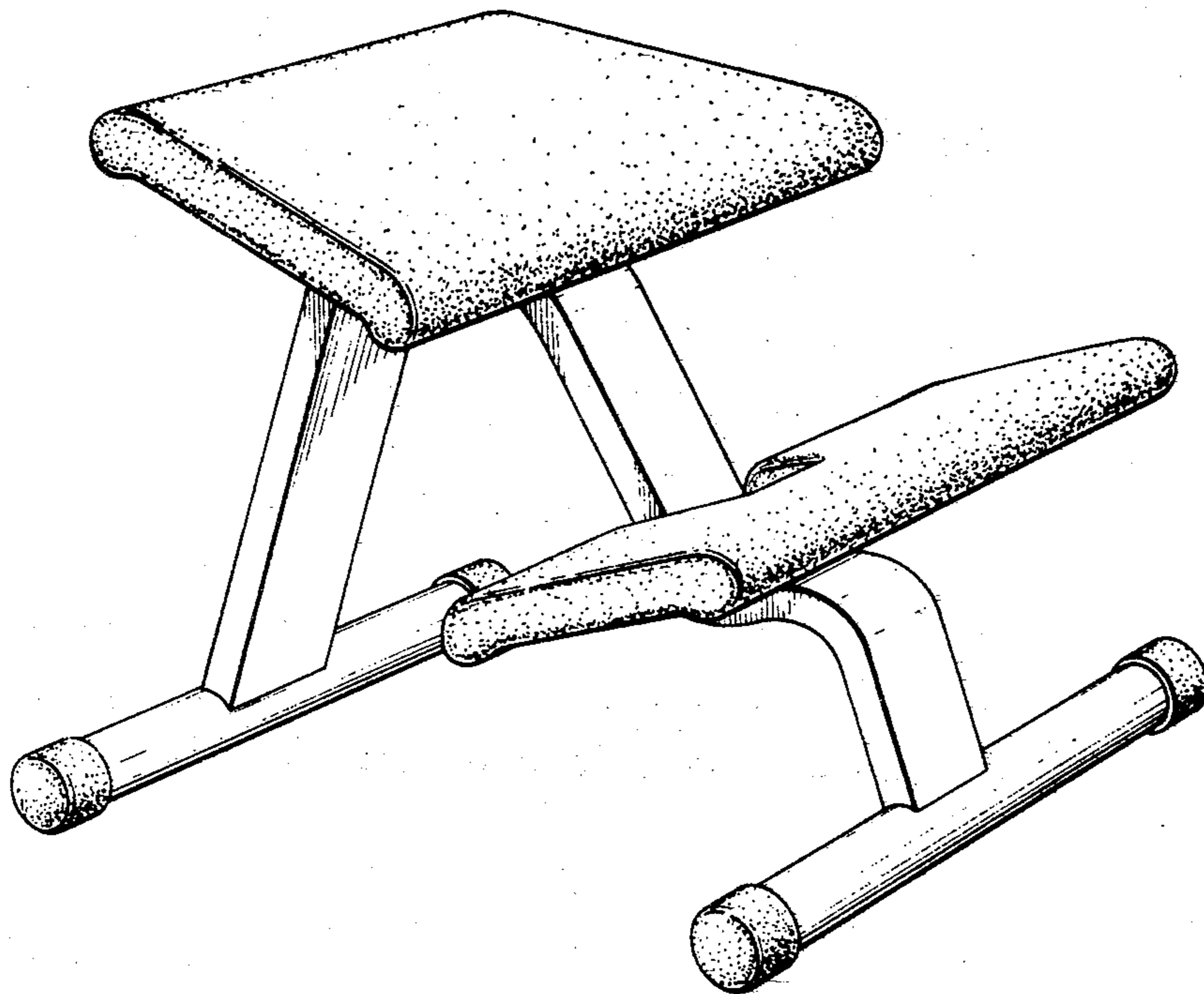


Fig. 1.

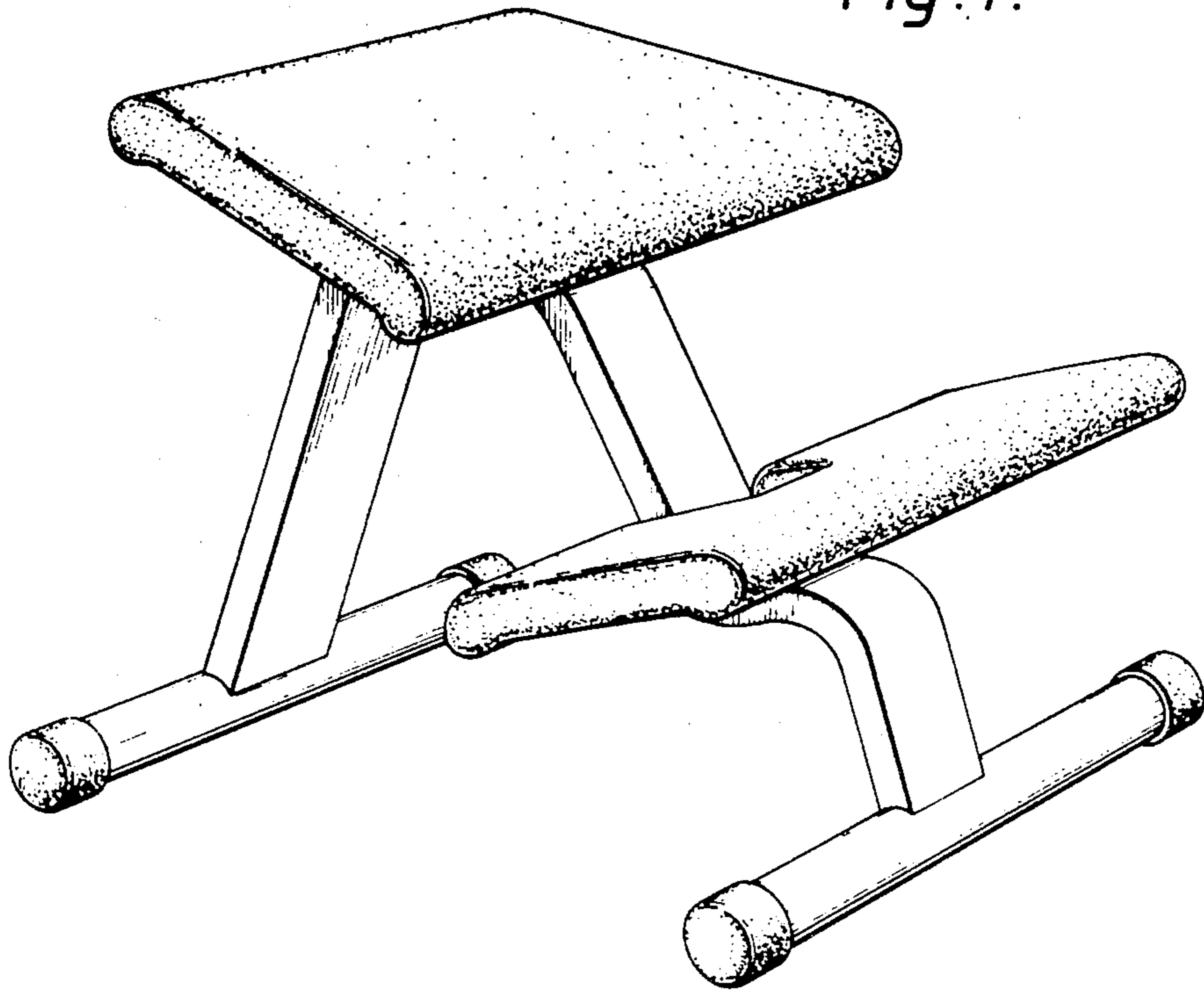


Fig. 2.

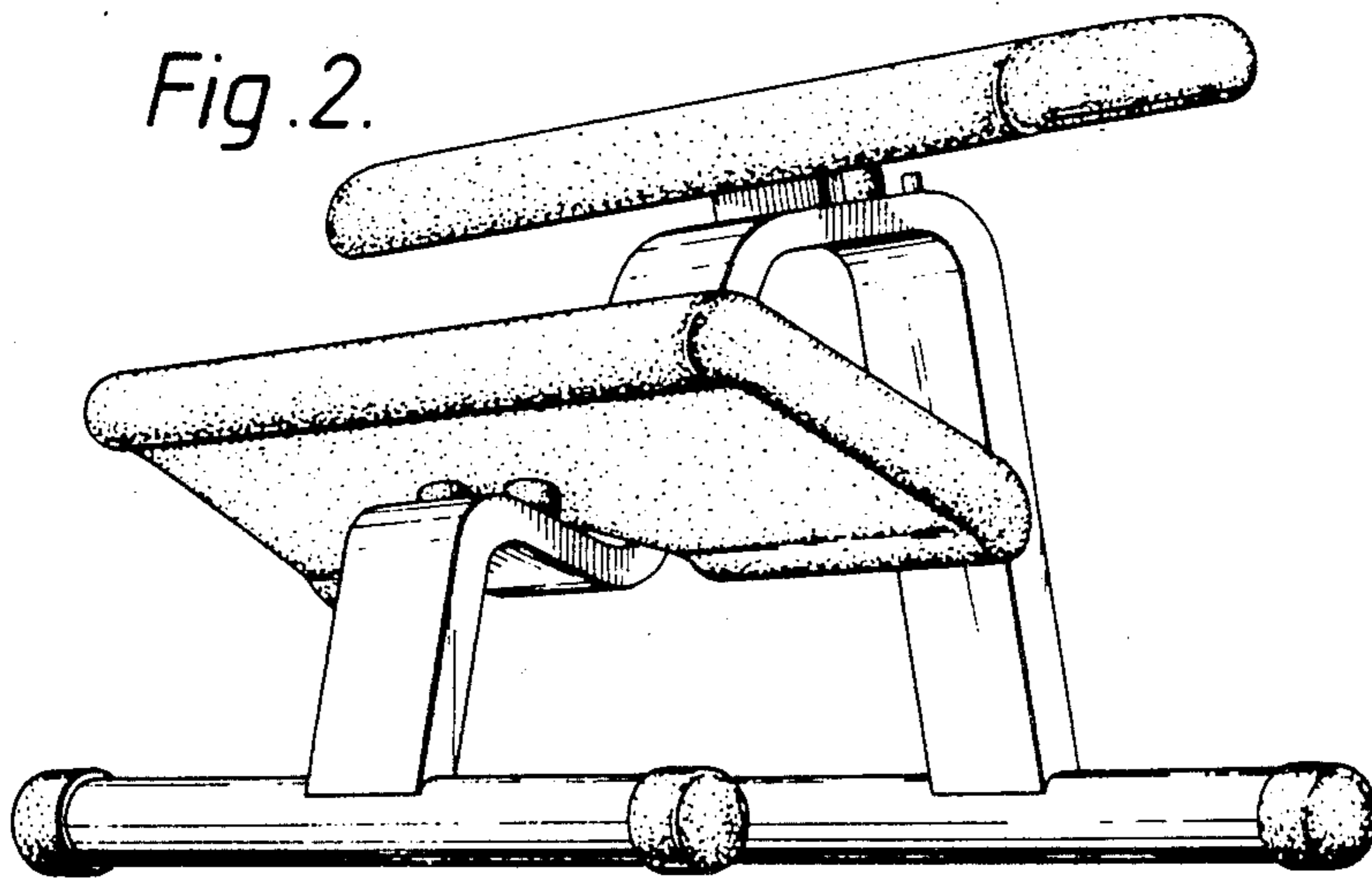


Fig. 3.

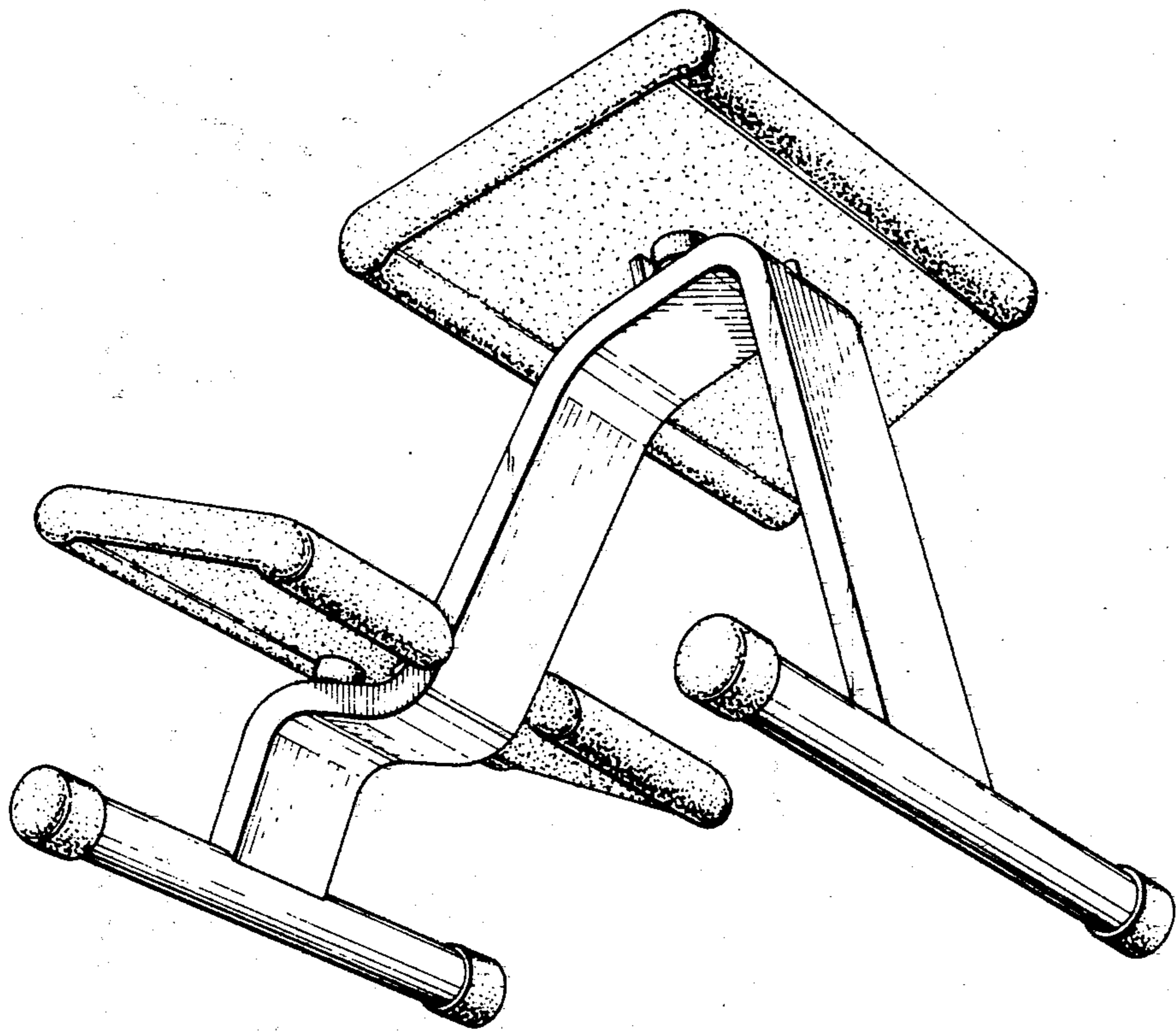


Fig. 4.

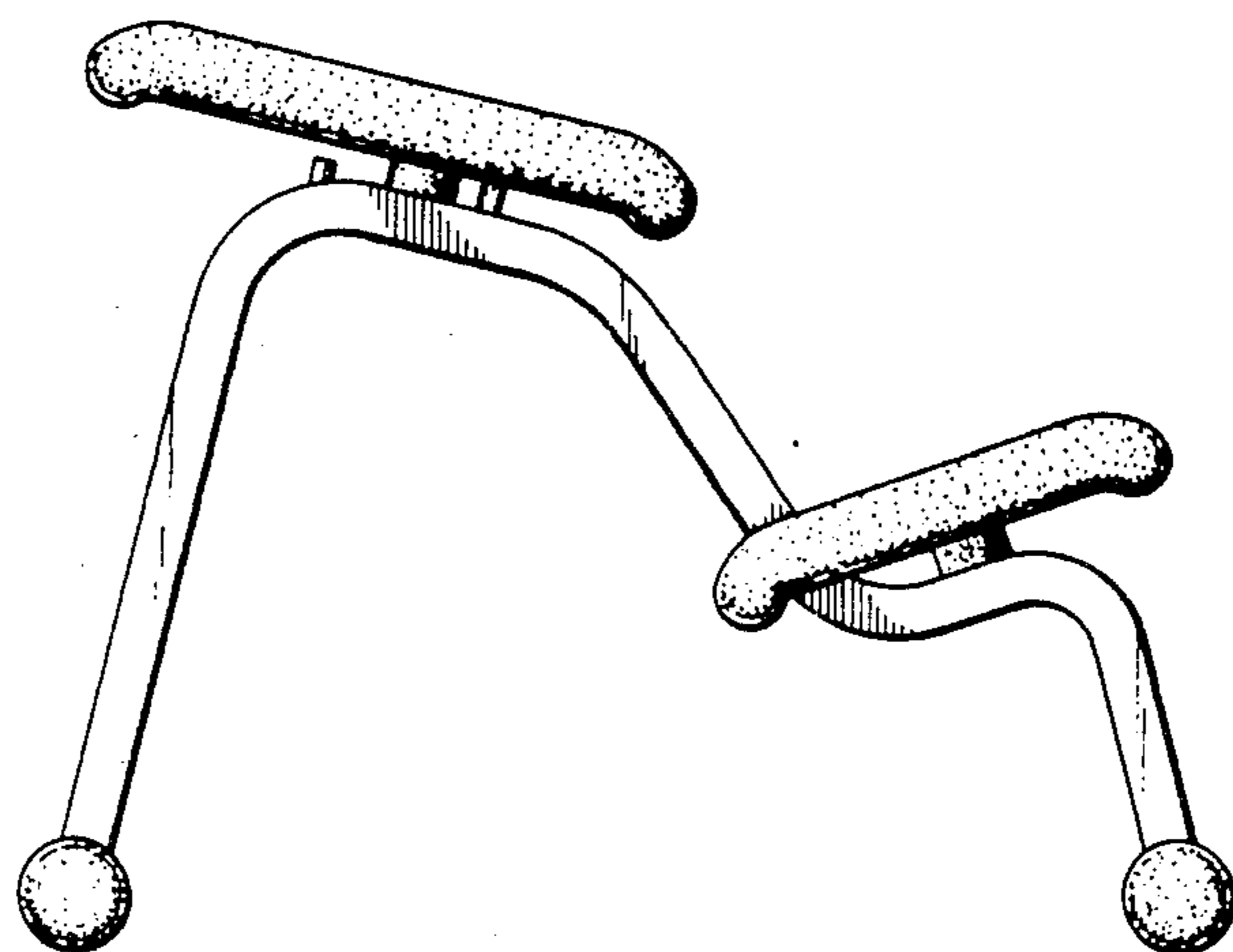


Fig. 5.

