

[54] CHILD'S SAFETY SEAT FOR USE
PRIMARILY IN A SHOPPING CART

[76] Inventor: Susan D. Jorgensen, 7912 141 Ave.
E., Puyallup, Wash. 98372

[**] Term: 14 Years

[21] Appl. No.: 739,085

[22] Filed: May 29, 1985

[52] U.S. Cl. D6/333

[58] Field of Search D6/333, 335, 477, 595,
D6/596; 297/243, 250, 253, 254, 255, 256

[56] References Cited

U.S. PATENT DOCUMENTS

- D. 265,272 7/1982 Joy D6/333
- D. 282,037 1/1986 Lawson et al. D6/595 X

- D. 289,123 4/1987 Tennen D6/333 X
- 663,345 12/1900 Hulett D6/335 X
- 3,948,556 4/1976 Hyde et al. 297/250

Primary Examiner—Bruce W. Dunkins
Attorney, Agent, or Firm—Don E. Ferrell

[57] CLAIM

The ornamental design for a child's safety seat for use primarily in a shopping cart, as shown and described.

DESCRIPTION

FIG. 1 is a perspective view of a child's safety seat for use primarily in a shopping cart showing my new design;
FIG. 2 is a front elevation view thereof;
FIG. 3 is a bottom plan view thereof;
FIG. 4 is a right end elevation view thereof; and
FIG. 5 is a left end elevation view thereof.

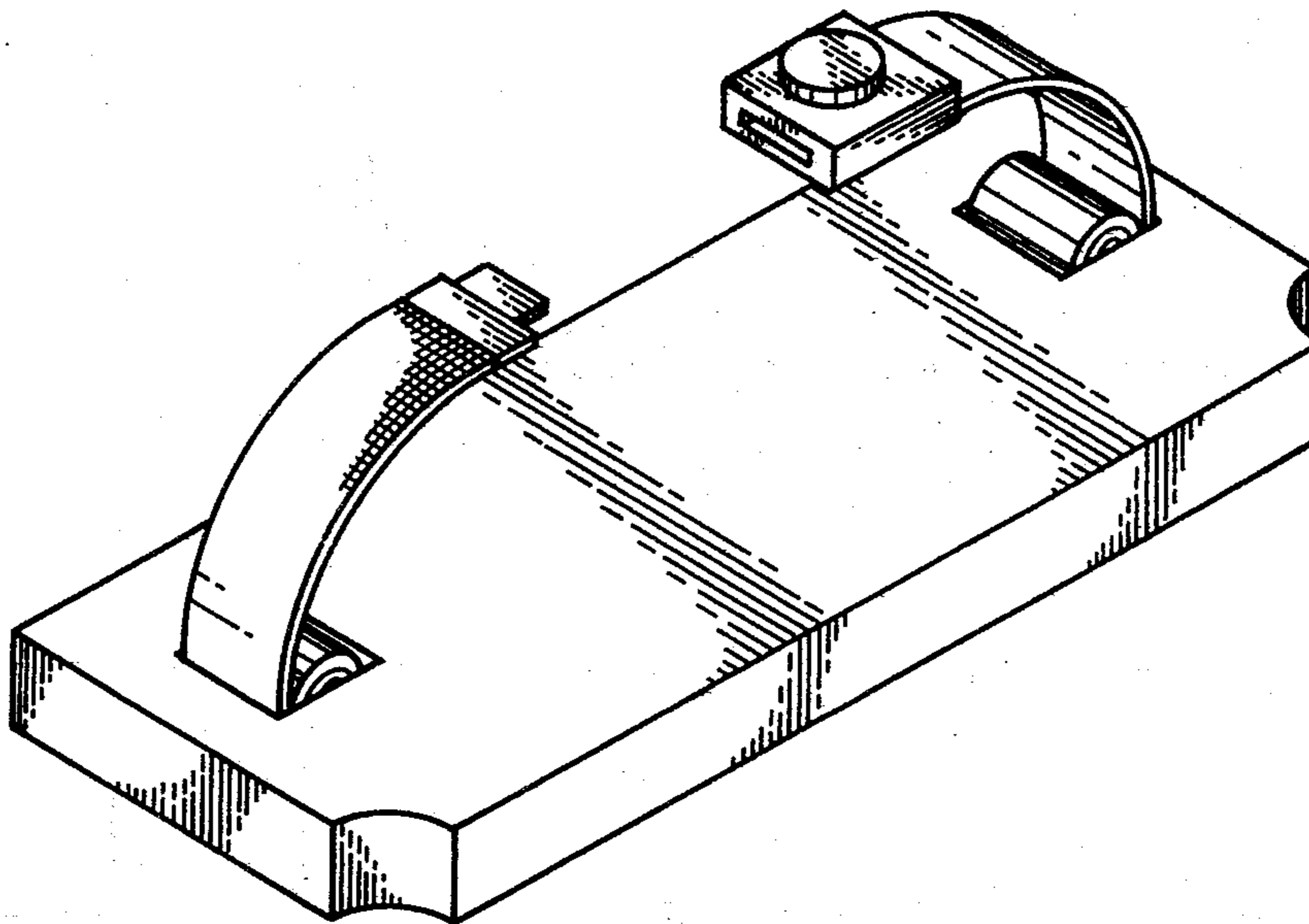


Fig. 1

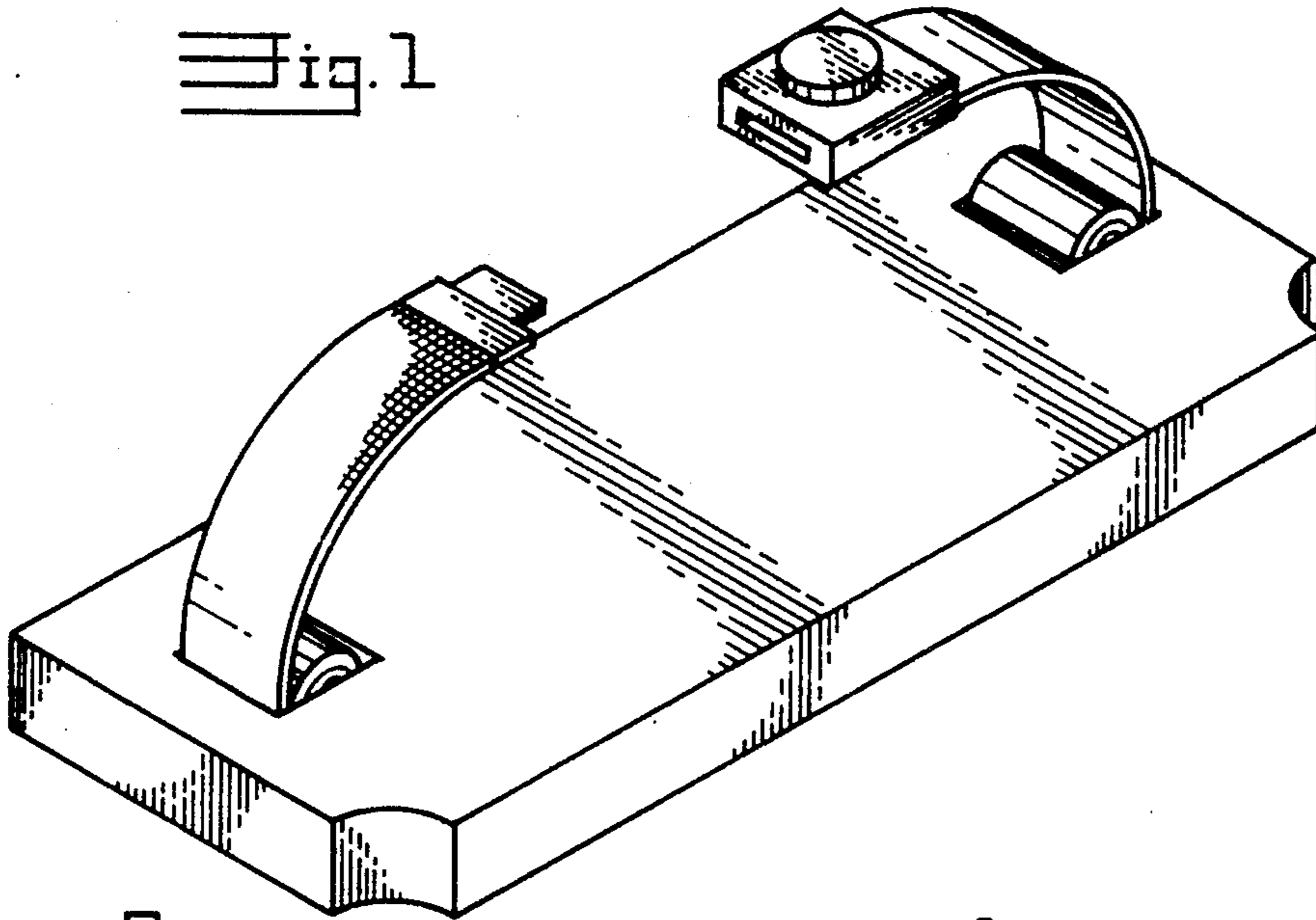


Fig. 4

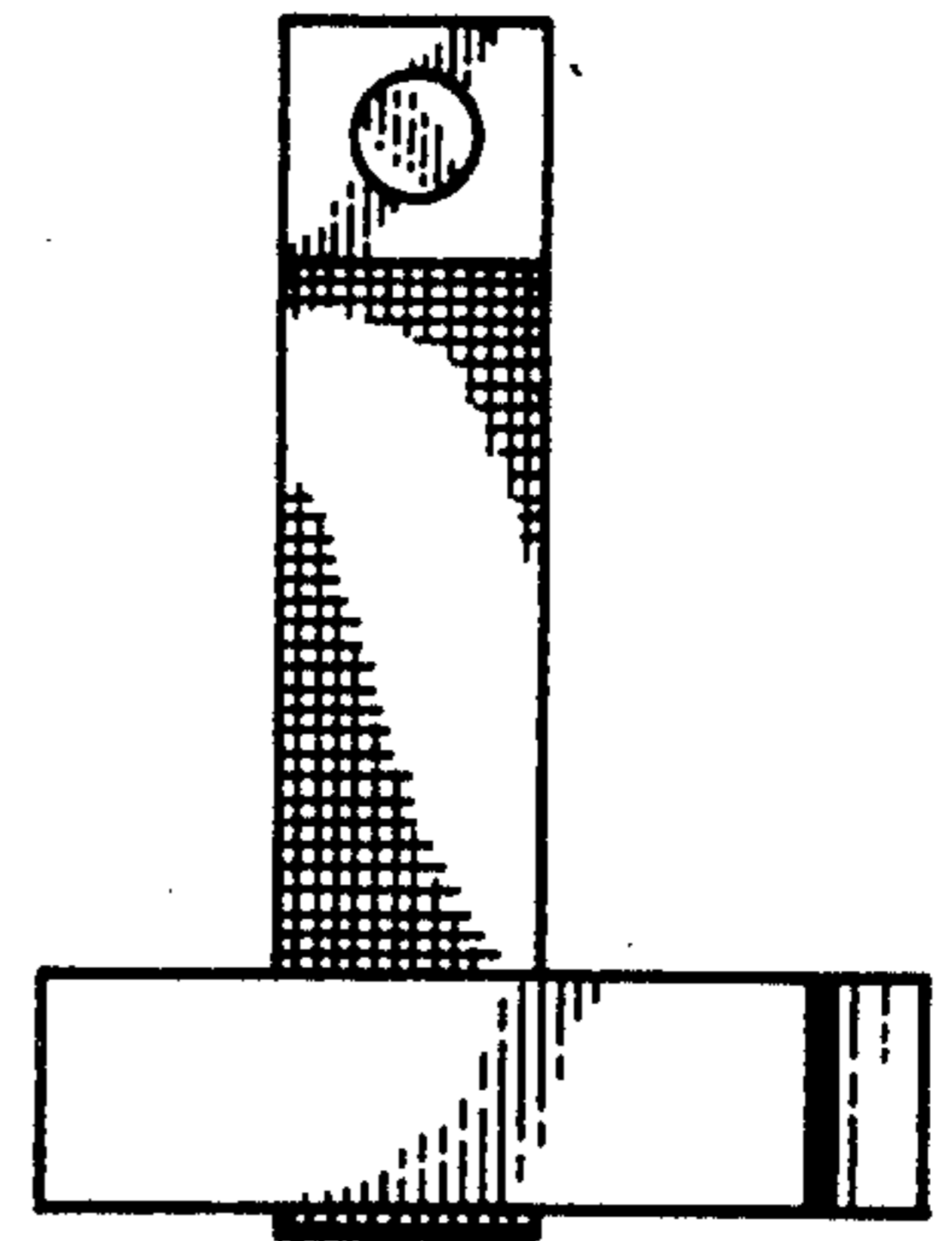
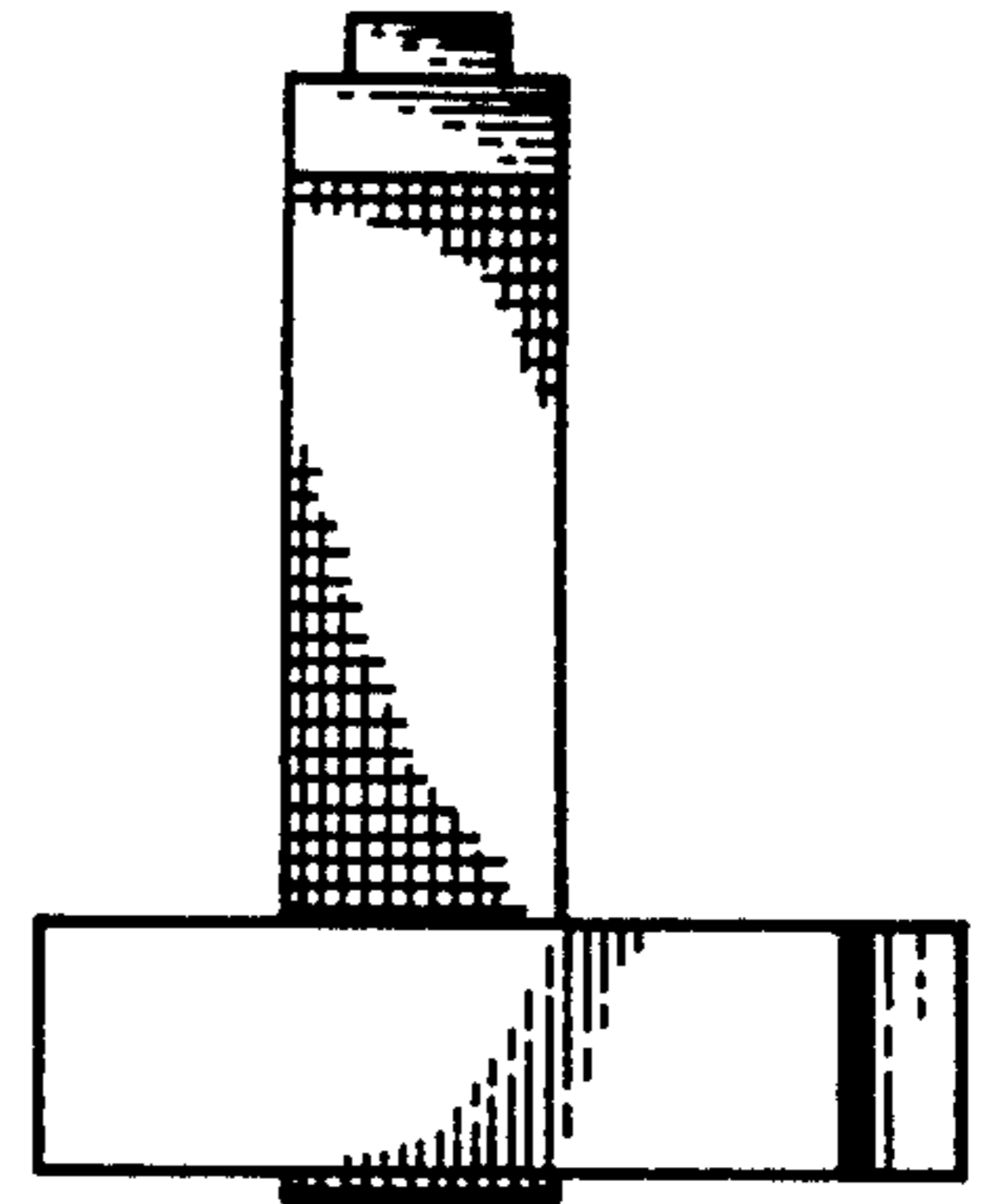


Fig. 5

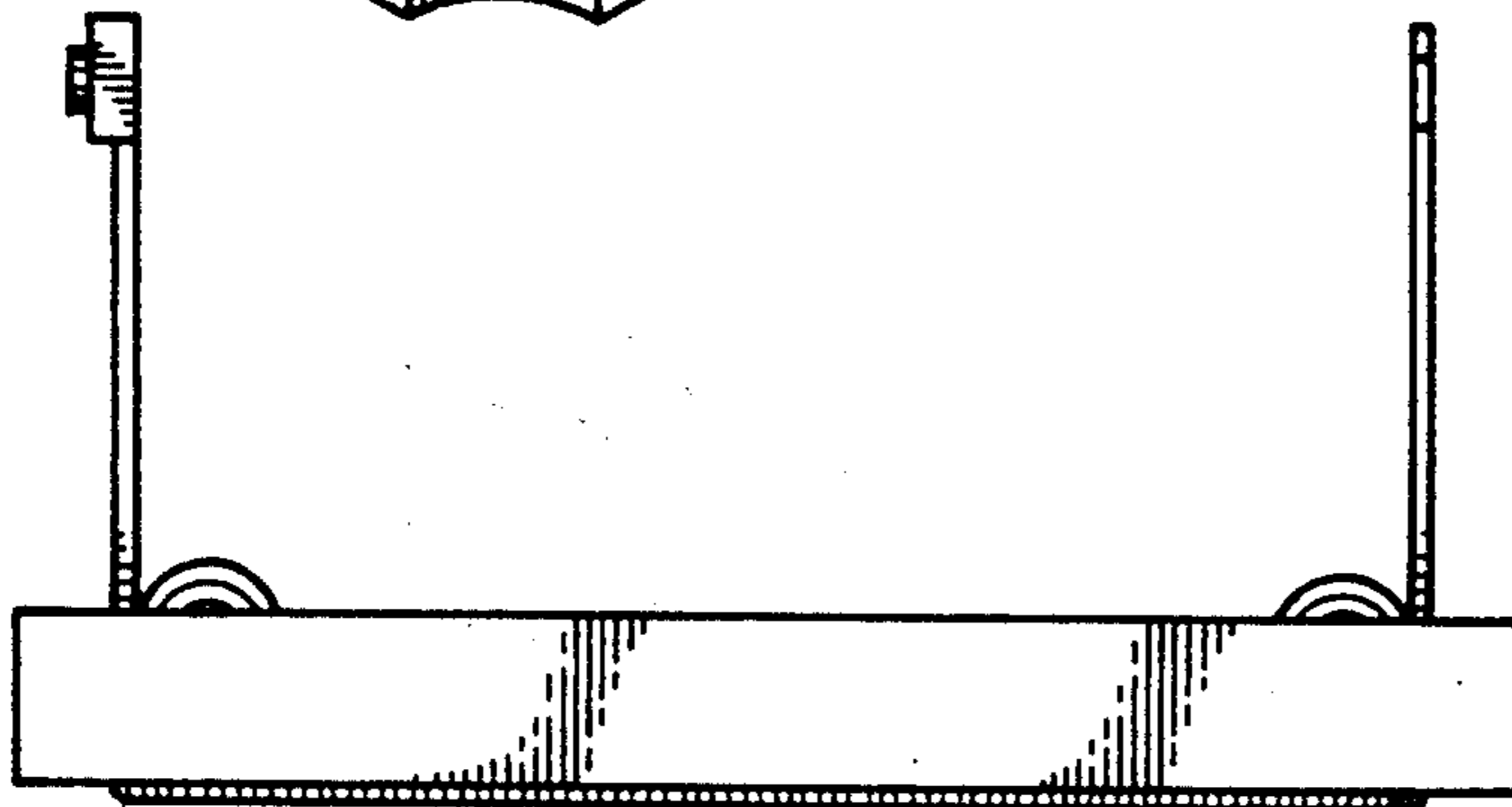


Fig. 2

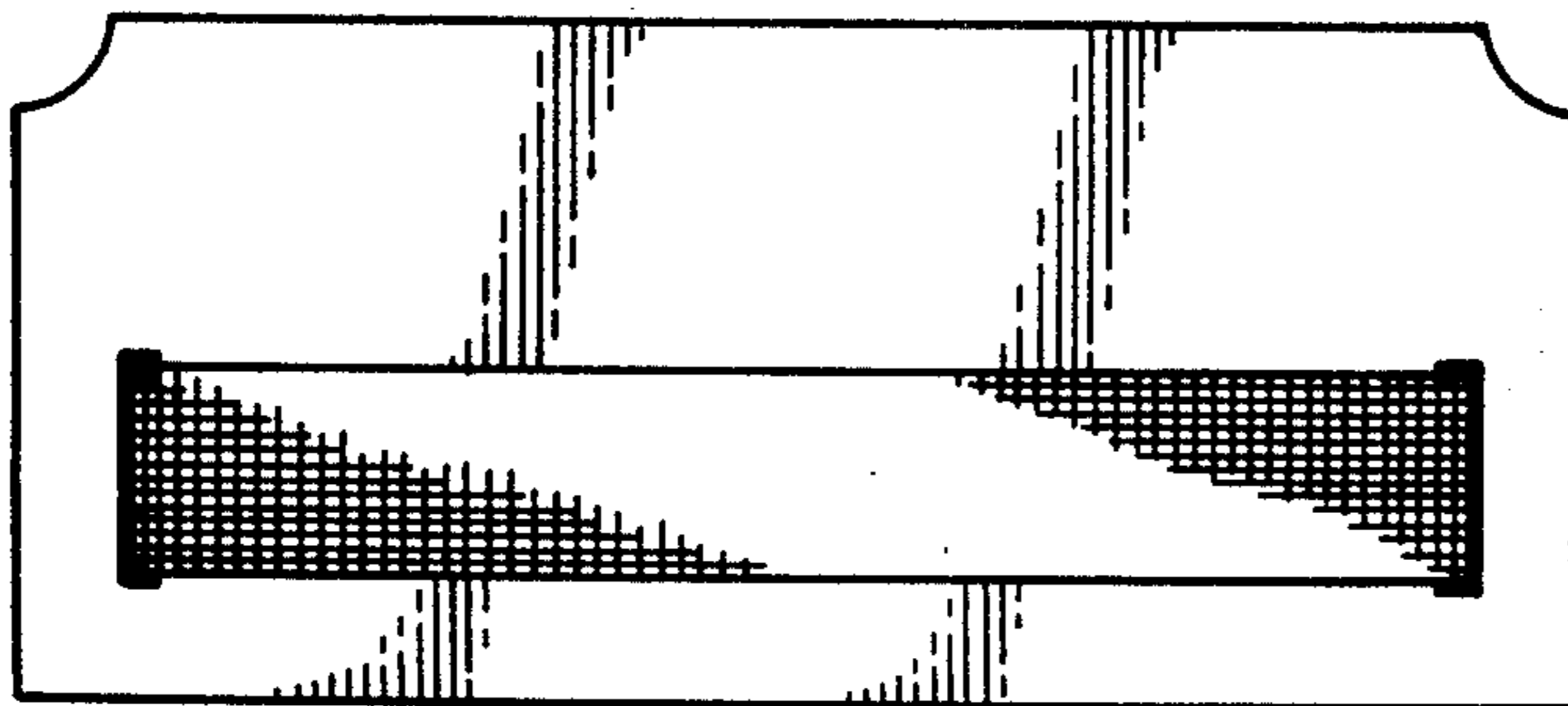


Fig. 3