

[54] COMBINED BRUSH AND SPONGE

[76] Inventor: Mike Anderson, Rte. 4, Box 125, Monticello, Ind. 47960

[**] Term: 14 Years

[21] Appl. No.: 705,382

[22] Filed: Feb. 25, 1985

[52] U.S. Cl. D4/116; D4/120; D32/42

[58] Field of Search D4/116, 119, 120, 137, D4/136, 138, 199; D32/40, 42; 15/104 R, 105, 106, 107, 114, 118, 160, 167 B, 244, 176, 184

[56] References Cited

U.S. PATENT DOCUMENTS

D. 211,315	6/1968	Kaufman	D4/120
D. 211,851	8/1968	Ballard	D4/120
D. 242,585	12/1976	Kaufman	D4/120
D. 242,586	12/1976	Kaufman	D4/120
D. 242,668	12/1976	Kaufman	15/114 X

D. 246,079	10/1977	Kaufman	D4/120
2,695,416	11/1954	Raimo	15/106
3,354,492	11/1967	Baumgartner	15/167 B
3,447,181	6/1969	Coker et al.	15/114 X
4,480,351	11/1984	Koffler	15/106 X

FOREIGN PATENT DOCUMENTS

797029	2/1936	France	15/105
2110525	6/1983	United Kingdom	15/105

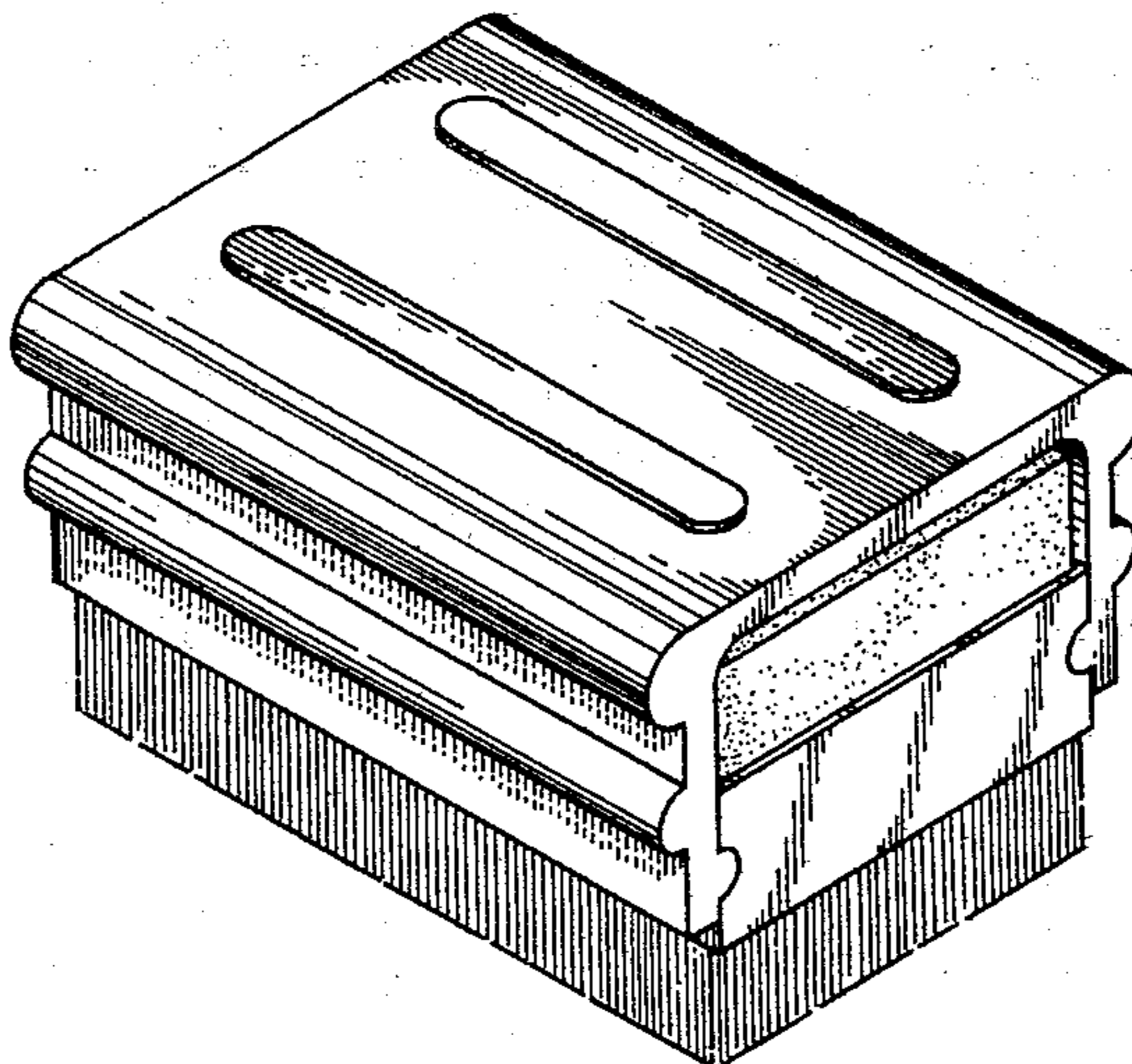
Primary Examiner—Catherine E. Kemper
Attorney, Agent, or Firm—Don E. Ferrell

[57] CLAIM

The ornamental design for a combined brush and sponge, as shown.

DESCRIPTION

FIG. 1 is a perspective view of a combined brush and sponge, showing my new design;
FIG. 2 is a side elevational view thereof;
FIG. 3 is an elevational view of the end not shown in FIG. 1.



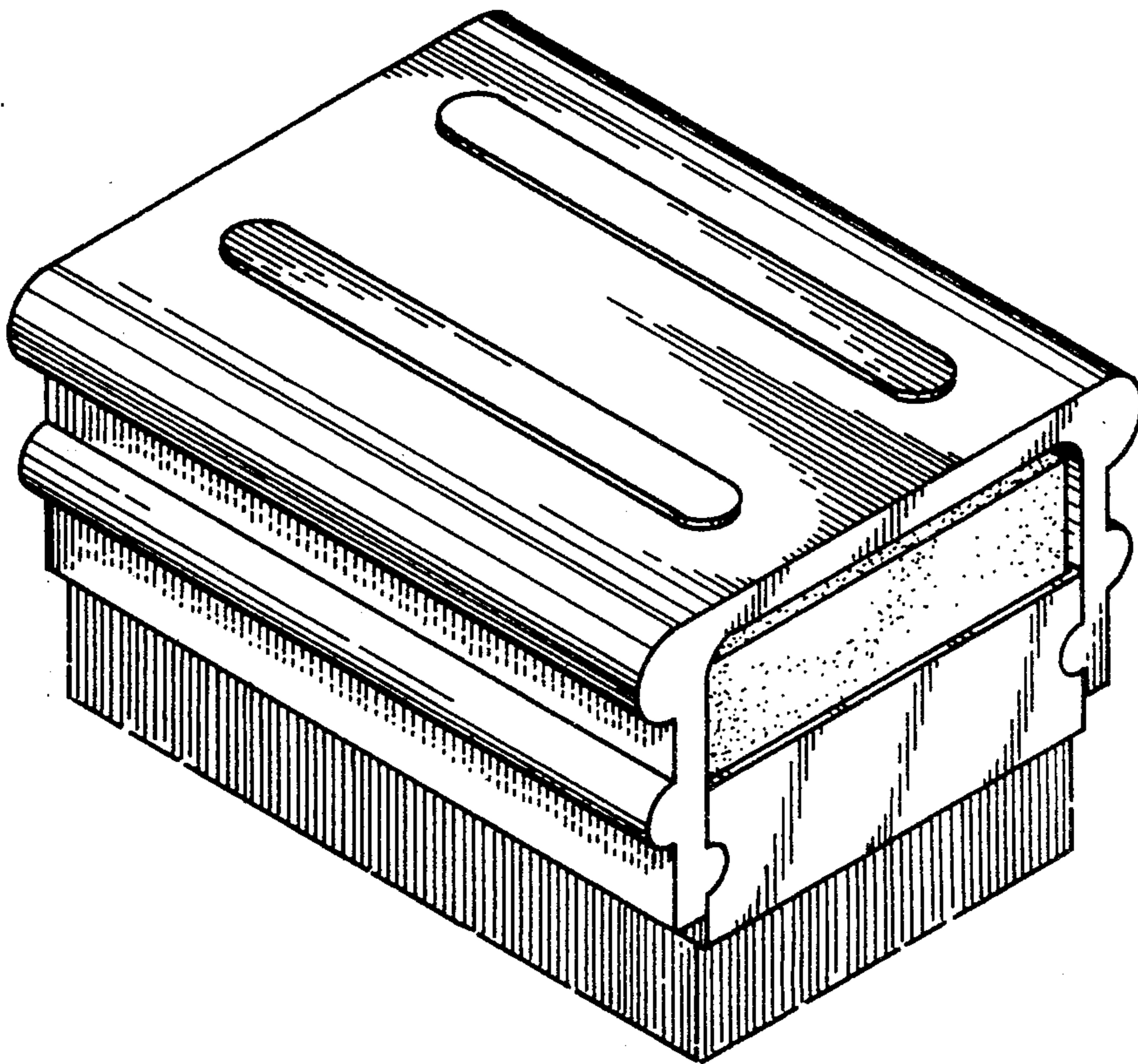


Fig. 1

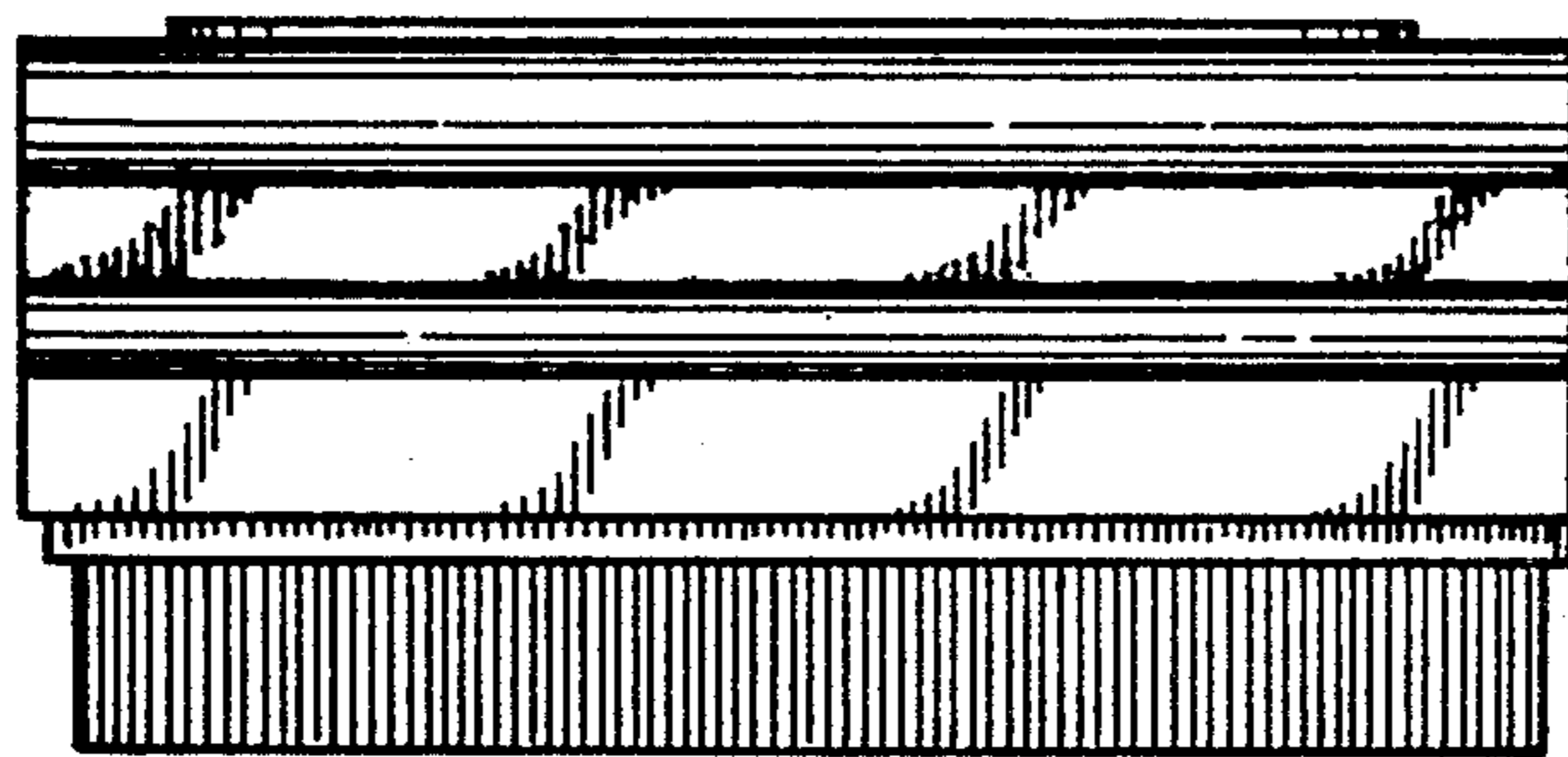


Fig. 2

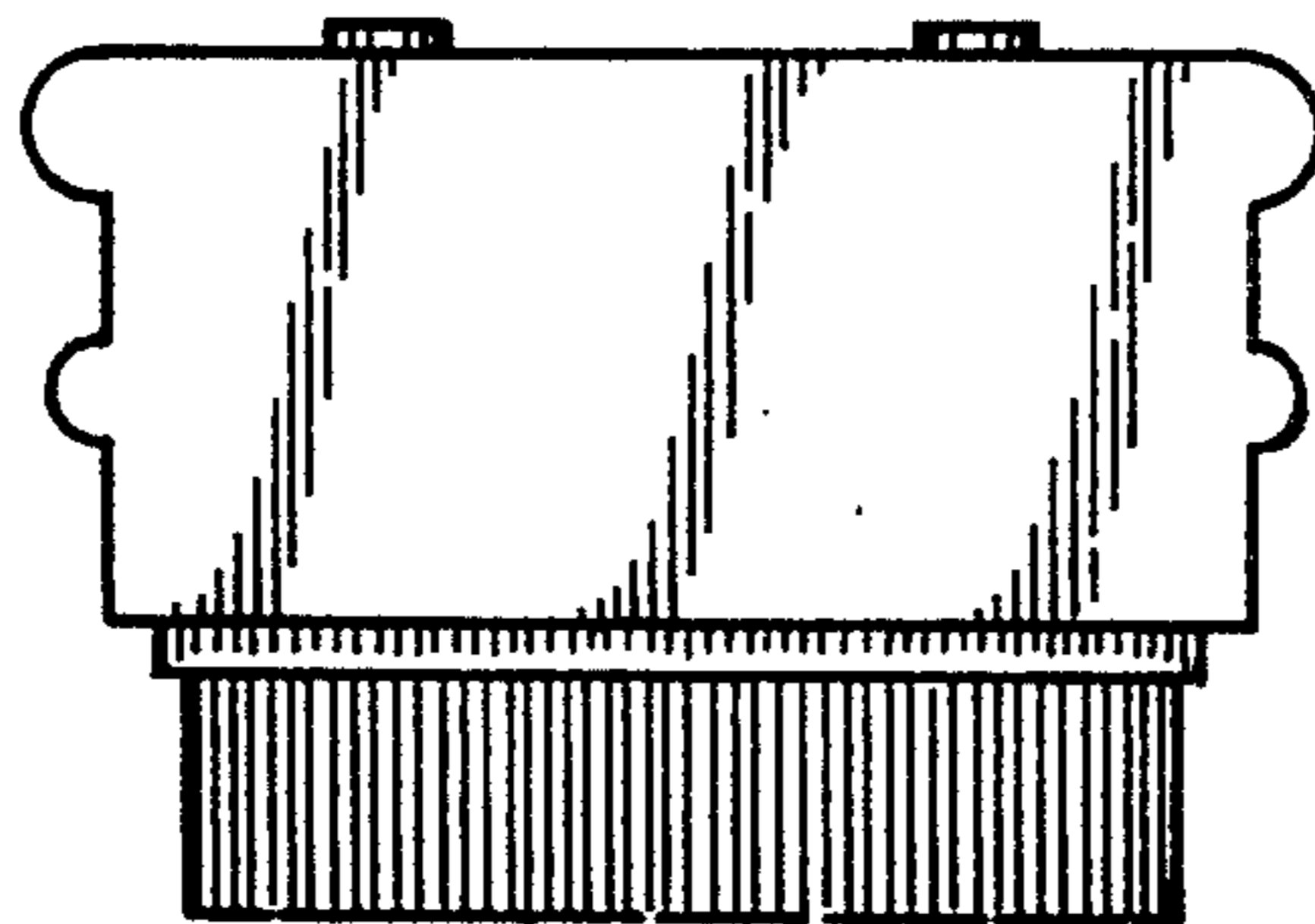


Fig. 3