

[54] **TOOTHBRUSH**

[75] **Inventor: Gianni Vianello, Paris, France**

[73] **Assignee: Lever Brothers Company, New York, N.Y.**

[**] **Term: 14 Years**

[21] **Appl. No.: 845,759**

[22] **Filed: Mar. 25, 1986**

[30] **Foreign Application Priority Data**

Sep. 26, 1985 [FR] France 85 4500
[52] **U.S. Cl. D4/104**
[58] **Field of Search D4/104-113;**
15/167 R, 143 R; 132/84

[56]

References Cited

U.S. PATENT DOCUMENTS

D. 136,156 8/1943 Fuller D4/104
D. 251,038 2/1979 Hill et al. D4/104

Primary Examiner—Catherine E. Kemper
Attorney, Agent, or Firm—Gerard J. McGowan, Jr.;
James J. Farrell

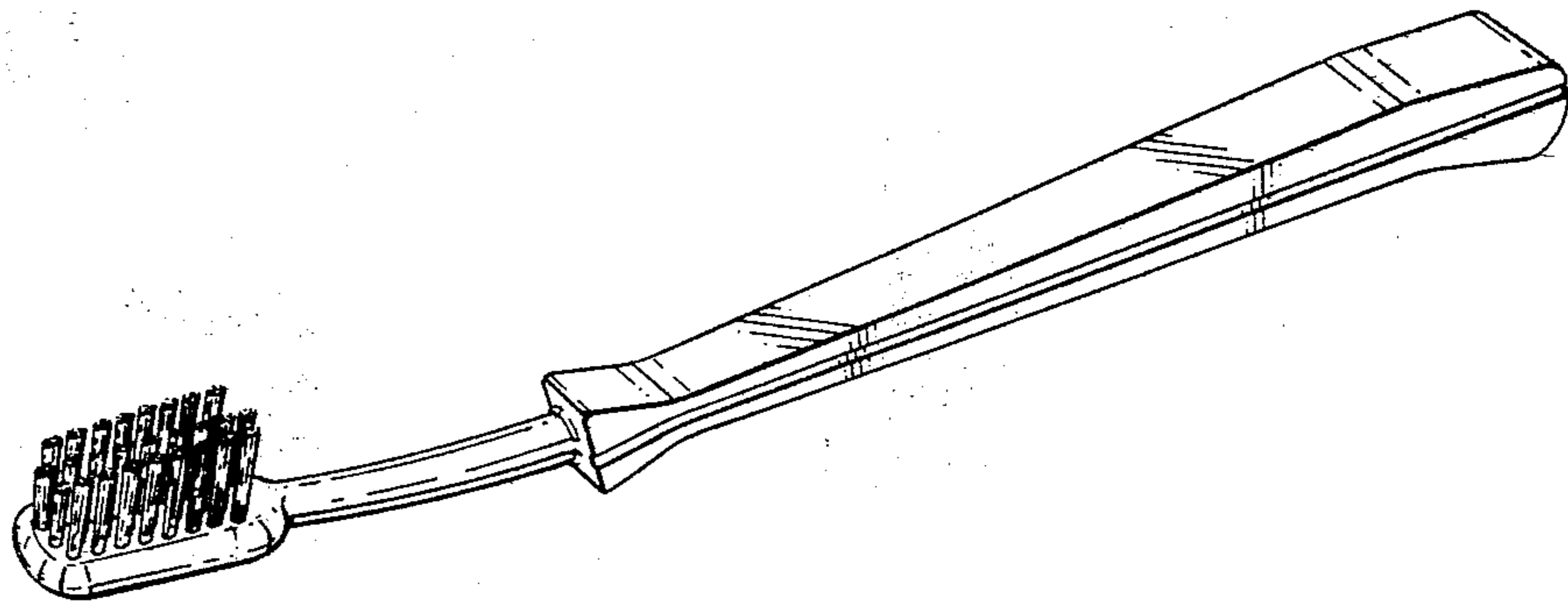
[57]

CLAIM

The ornamental design for a toothbrush, substantially as shown and described.

DESCRIPTION

FIG. 1 is a top perspective view of a toothbrush, showing my new design;
FIG. 2 is a side elevational view, the opposite side being a mirror image thereof;
FIG. 3 is a bottom plan view thereof;
FIG. 4 is an elevational view of the end opposite that shown in FIG. 1;
FIG. 5 is a top plan view thereof.



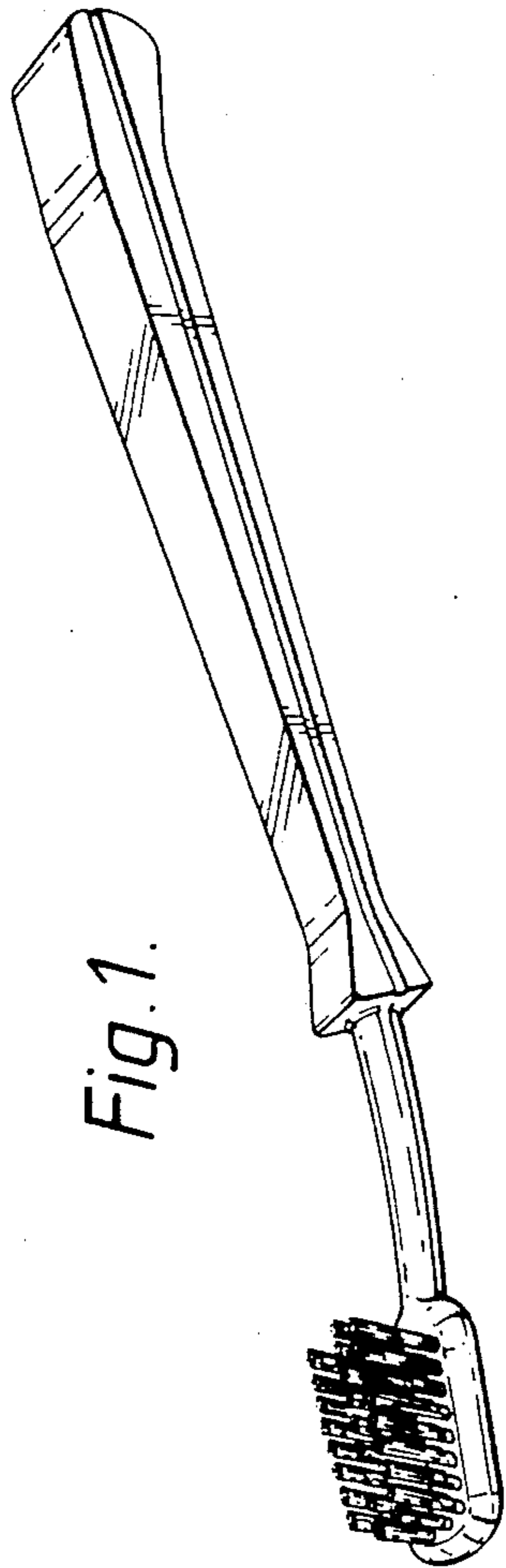


Fig. 1.

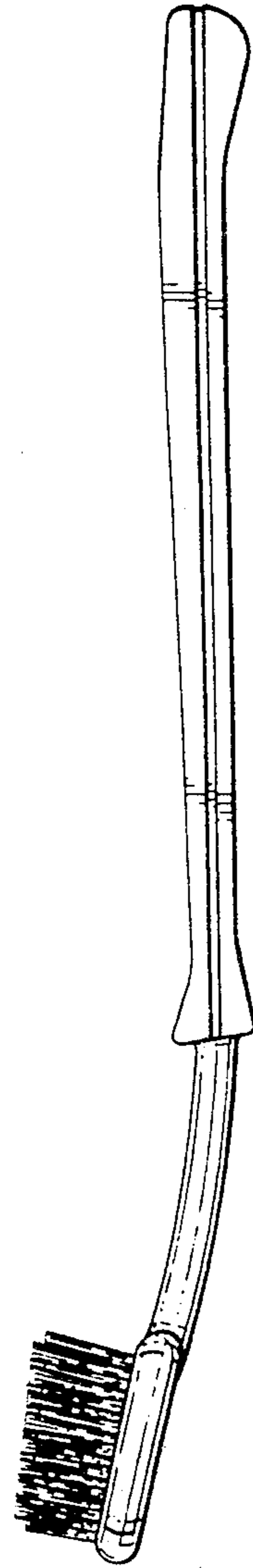


Fig. 2.

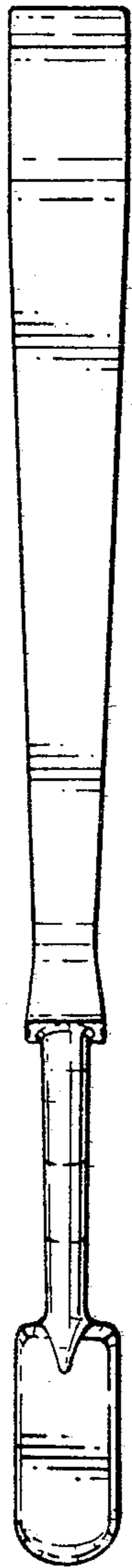


Fig. 3.

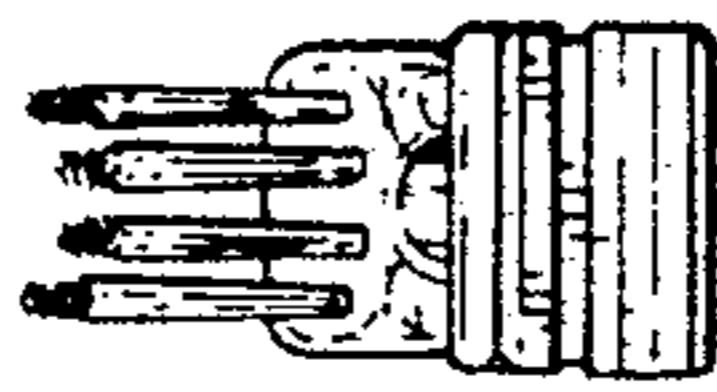


Fig. 4.

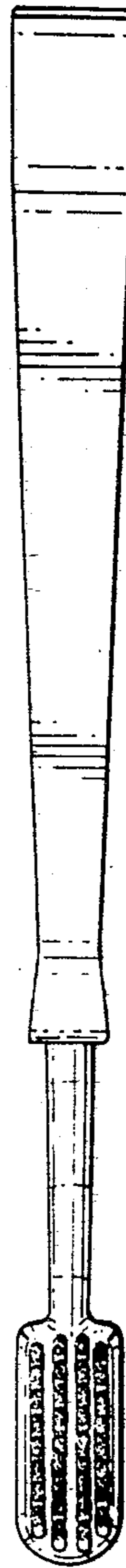


Fig. 5.