

[54] VEHICLE STEERING WHEEL TRAY

[76] Inventor: Andrew Judge, 127, Temple Lane,
Copmanthorpe, York. YO2 3TE,
England

[**] Term: 14 Years

[21] Appl. No.: 700,639

[22] Filed: Feb. 12, 1985

[30] Foreign Application Priority Data

Aug. 14, 1984 [GB] United Kingdom 84-1021465

[52] U.S. Cl. D3/40; D7/38;
D12/177

[58] Field of Search D3/30.1, 40; D7/38;
D6/466; D12/177; 224/276, 277; D19/88;
248/441 B

[56] References Cited

U.S. PATENT DOCUMENTS

D. 159,237	7/1950	Steadman	D12/177
D. 257,296	10/1980	White	D3/40
D. 257,589	12/1980	Shaffert	D12/177
D. 279,837	7/1985	Tanaka	D3/40
2,150,709	3/1939	Bake	224/276

Primary Examiner—George P. Word
Attorney, Agent, or Firm—W. Thad Adams, III

[57] CLAIM

The ornamental design for a vehicle steering wheel tray, as shown and described.

DESCRIPTION

FIG. 1 is a top front perspective view of a vehicle steering wheel tray showing my new design;
FIG. 2 is a right side elevational view thereof;
FIG. 3 is a rear elevational view taken in the direction of arrow 'A'; and
FIG. 4 is a bottom plan view taken in the direction of arrow 'B'.

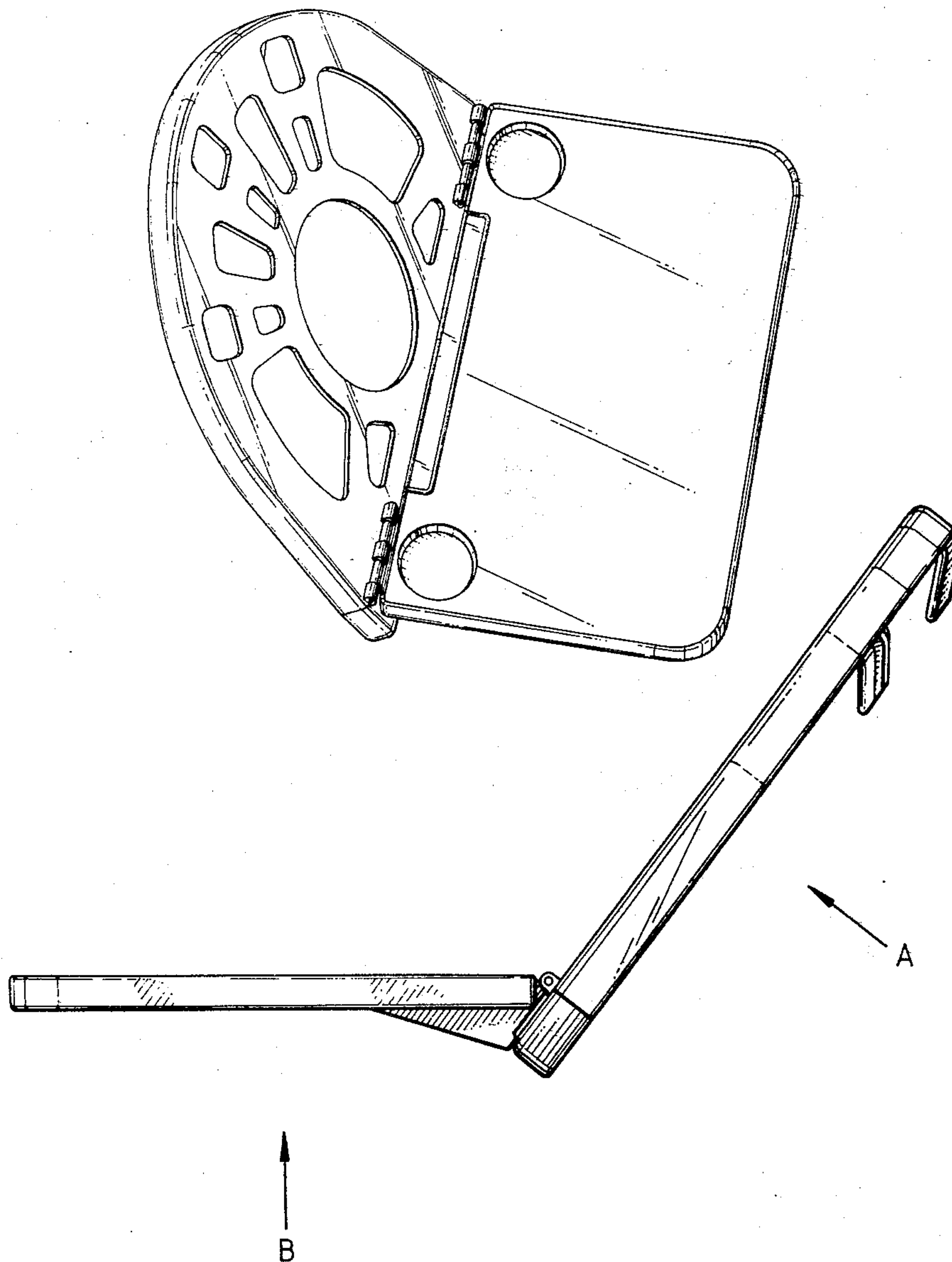


FIG. 1.

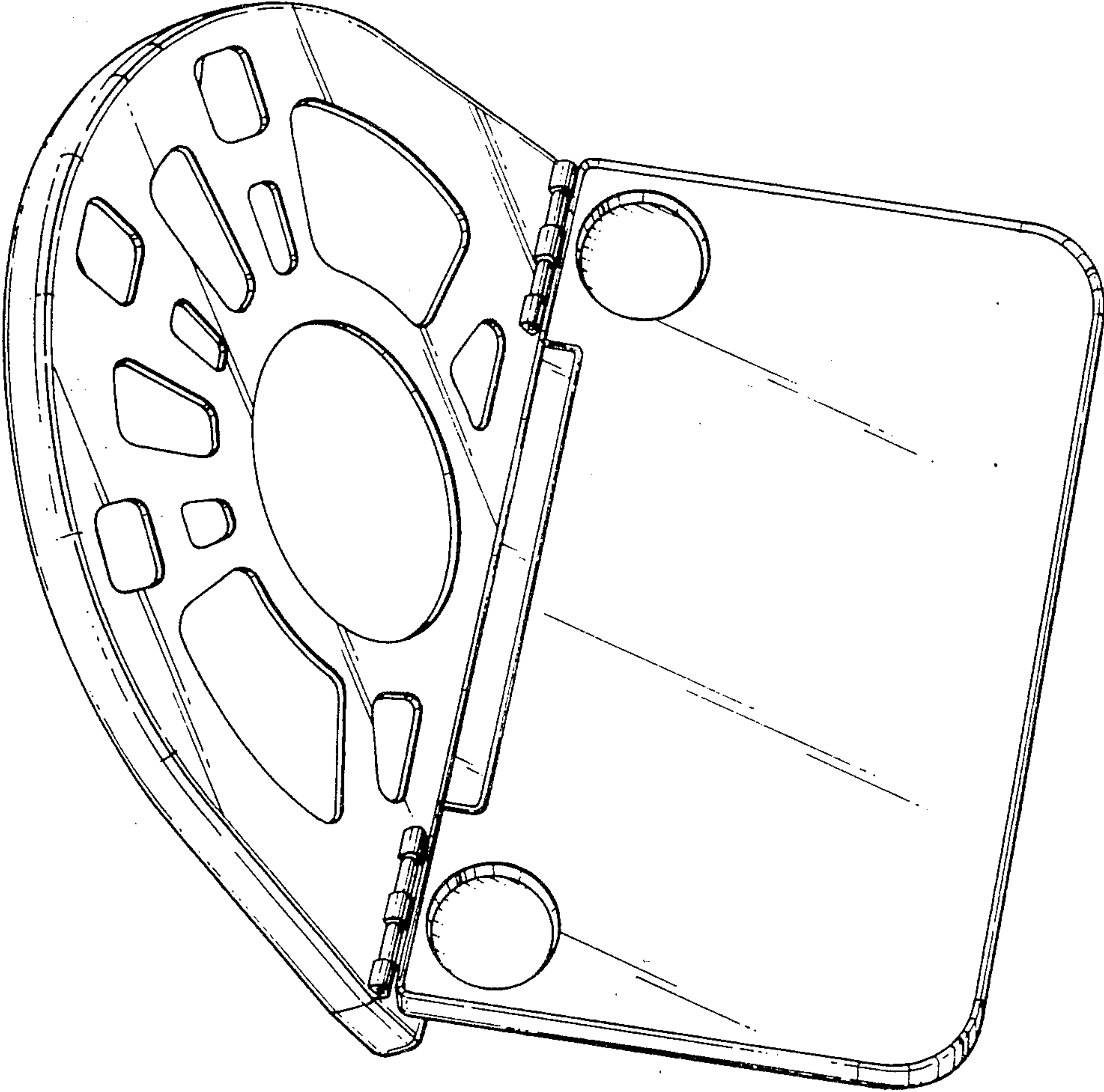


FIG. 2.

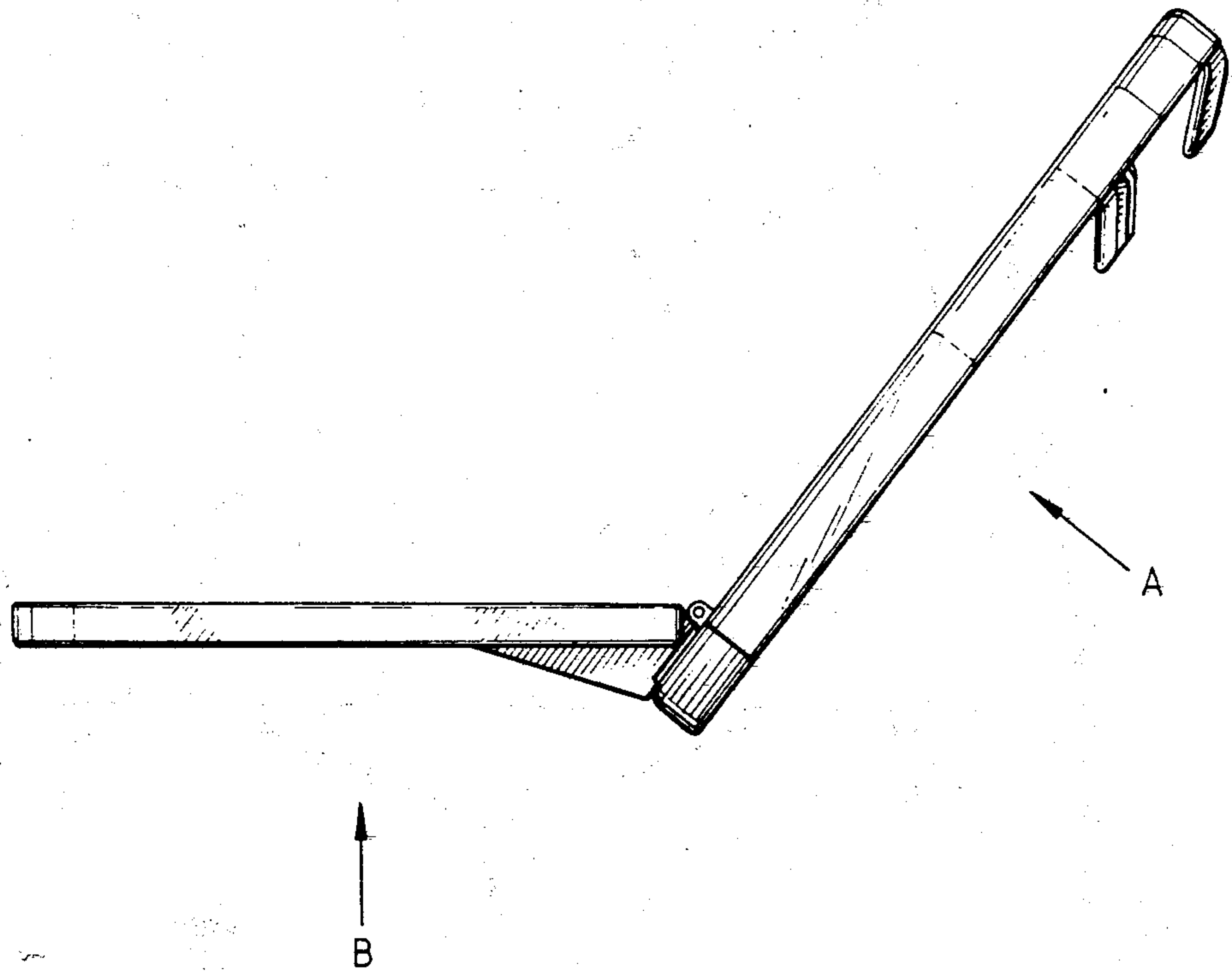


FIG.3.

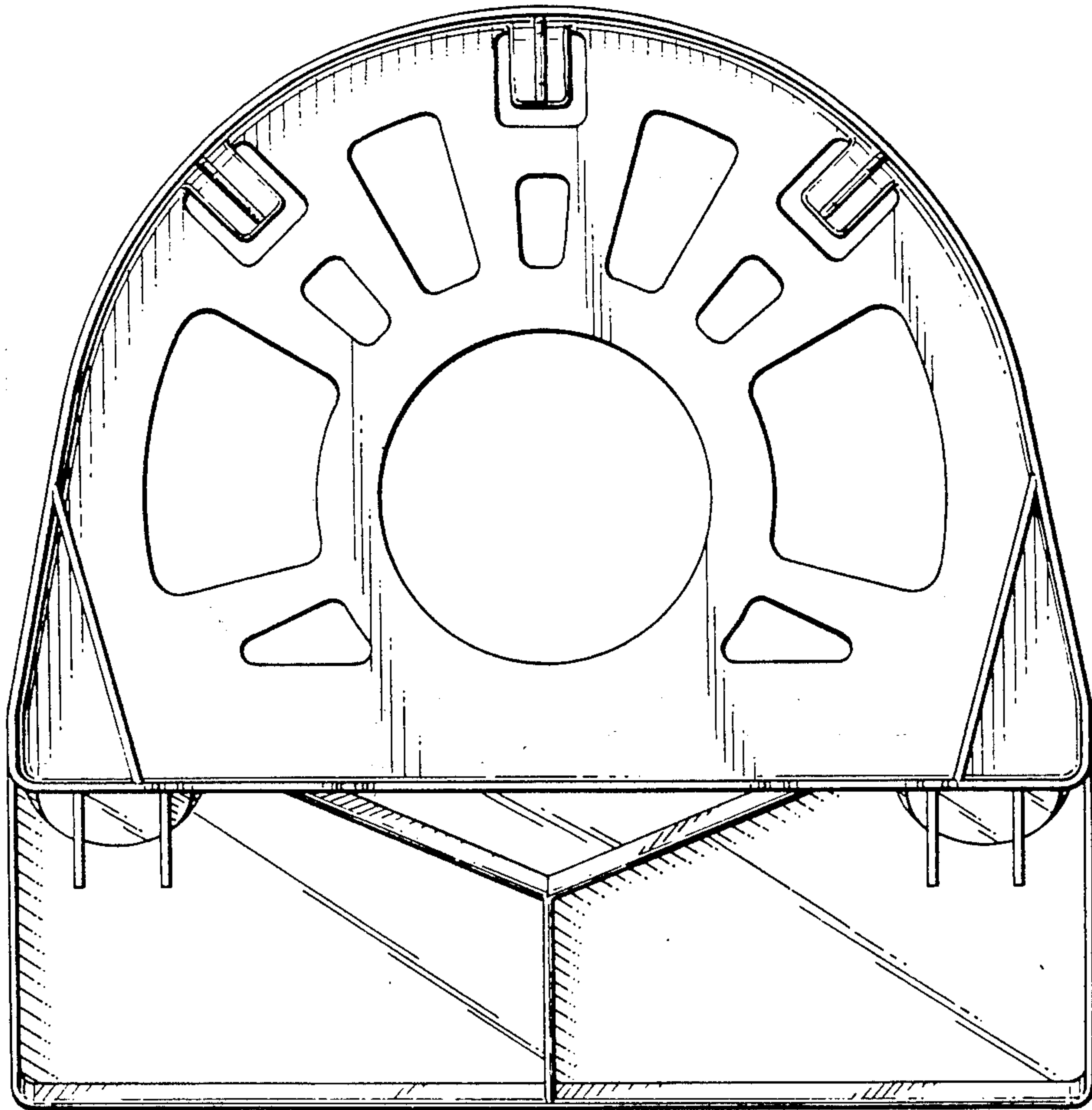


FIG. 4.

